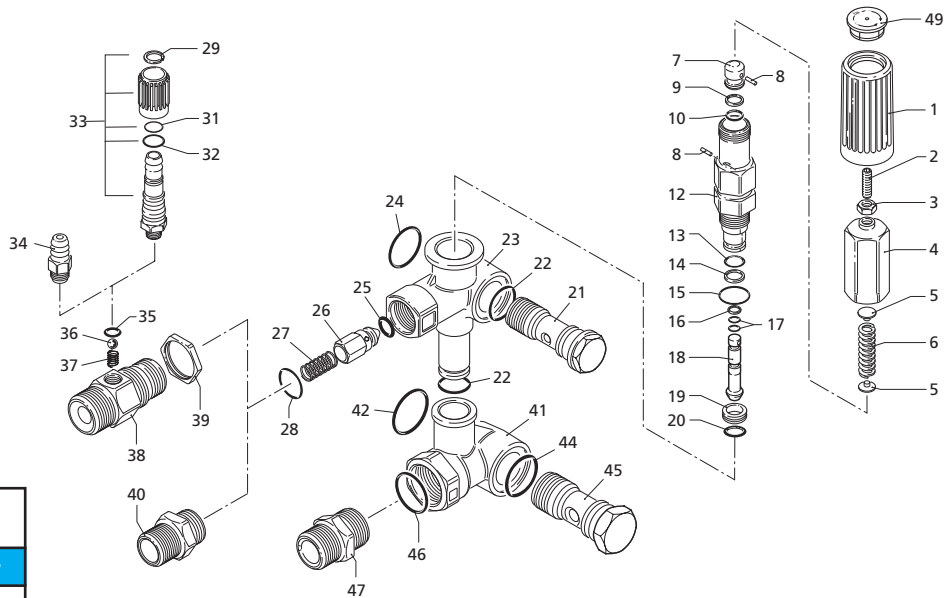


A.R. NORTH AMERICA MINIMATIC 4/B

Unloader Kit 2858	
Pos.	Qty
1	1
2	1
3	1
4	1
5	2
6	1
7	1
8	2
9	1
10	1
12	1
13	1
14	1
15	1
16	1
17	2
18	1
19	1
20	1
49	1

Bolts Kit 2572	
Pos.	Qty
21	1
22	1
24	1
42	1
44	1
45	1



COUNTRY OF ORIGIN: ITALY
LAST UPDATED: APRIL 2023

117 - 1

Pos	Code	Description	Qty	Note
1	1981780	Unloader Knob	1	
2	1980470	Set Screw M6x20	1	
3	1980300	Nut M6	1	
4	1980390	Unloader Barrel	1	
5	1980220	Spring Plate	2	
6	1271070	Spring	1	
7	1080041	Upper Piston	1	
8	1080070	Roll Pin	2	
9	1080401	Fiber Ring	1	
10	1080250	O-Ring Ø 7.66x1.78	1	
12	1980210	Piston Guide	1	(132 in/lbs)
13	740290	O-Ring Ø 14x1.78	1	
14	800560	O-Ring Ø 8.73x1.78	1	
15	880830	O-Ring Ø 15.54x2.62	1	
16	1271170	Fiber Ring	1	
17	1080190	O-Ring Ø 2.90x1.78	2	
18	1271160	Lower Piston	1	
19	1980200	Unloader Seat	1	
20	1470210	O-Ring Ø 9x1	1	
21	1540272	Mounting Bolt Outlet 3/8" G - Brass	1	(265 in/lbs)
22	390080	O-Ring Ø 11.91x2.62	2	
23	1540510	Valve Housing	1	
24	1140450	O-Ring Ø 20.24x2.62	1	
25	1460430	O-Ring Ø 4x2.5	1	
26	1540170	Jet	1	
27	1080091	Spring	1	
28	394280	O-Ring Ø 12.42x1.78	1	
29	1560660	Retainer Ring	1	
30	1560680	Detergent Regulating Knob	1	<input type="checkbox"/>
31	480560	O-Ring Ø 6.75x1.78	1	<input type="checkbox"/>
32	800560	O-Ring Ø 8.73x1.78	1	<input type="checkbox"/>
33	1569206	Complete Hose Barb Adj., Plastic Knob	1	<input type="checkbox"/> (35 in/lbs)
	1569202	Complete Hose Barb Adj., Brass Knob	1	<input type="checkbox"/> (35 in/lbs)
34	1560490	Hose Barb Fixed	1	<input checked="" type="checkbox"/> (35 in/lbs)
35	480480	O-Ring Ø 4.48x1.78	1	<input type="checkbox"/>
36	1250280	Ball	1	<input checked="" type="checkbox"/>
37	1560520	Spring	1	<input checked="" type="checkbox"/>

Pos	Code	Description	Qty	Note
38	1540570	Injector Body 3/8" G Ø 2	1	<input type="checkbox"/>
	1540580	Injector Body 3/8" G Ø 2.3	1	<input checked="" type="checkbox"/> (221 in/lbs)
	1540610	Injector Body 3/8" G NPT Ø 2	1	<input checked="" type="checkbox"/> (221 in/lbs)
39	1540620	Injector Body 3/8" G NPT Ø 2.3	1	<input checked="" type="checkbox"/> (221 in/lbs)
	1540300	Lock Nut	1	<input checked="" type="checkbox"/>
40	1540180	Discharge Fitting 3/8" G	1	<input type="checkbox"/> (221 in/lbs)
	1540500	Discharge Fitting 3/8" G NPT	1	<input type="checkbox"/> (221 in/lbs)
41	1540280	By-Pass Housing Alum. 1/2" G	1	
	1540480	By-Pass Housing Alum. 1/2" NPT	1	
	1540470	By-Pass Housing Brass 1/2" G	1	
	1540440	By-Pass Housing Brass 1/2" NPT	1	
42	1540630	O-Ring Ø 23.47x2.62	1	
44	880270	O-Ring Ø 17.17x1.78	1	
45	2260420	Mounting Bolt 1/2" G, Inlet	1	(354 in/lbs)
46	480440	O-Ring Ø 17.13x2.62	1	
	1540050	Inlet Fitting G	1	
47	1560640	Inlet Fitting NPT	1	
	1981770	Unloader Knob Plug	1	

Designed for XT, XM and RC Pumps

OPTIONAL PARTS/KITS				
Pos	Code	Description	Qty	Note
45	1540750	Mounting Bolt w 1/8" Tap 1/2" G Inlet	1	
	42125	Chemical Injector w/o Hose Barb Kit	1	Pos 35, 36, 37
	1569207	Adjustable Injector Kit	1	Pos 29, 31, 32, 33, 35, 36, 37, 38, 39
	2812	O-Ring Kit	1	Pos 9, 10, 13, 14, 15, 16, 17, 20, 22, 24, 25, 28, 35, 42, 44

LEGEND		
Symbol	Material	Description
<input type="checkbox"/>	-	4/B AR20821, AR21036, AR21158
<input checked="" type="checkbox"/>	-	4/B+ID AR20888, AR21037, AR21038
<input type="checkbox"/>	-	4/B+IDR AR20890, AR21039, AR21040

Unloaders