

- A**
- B**
- C**
- E**
- F**



P	Code	Description	Q	Assembly prescription	Validity	P	Code	Description	Q	Assembly prescription	Validity
1	1349237	Pump assembly	1			39	2021900	Piston	1	Loxeal 55-14	
2	1342670	Head	1			40	600180	O-ring	1	Ø 7,66x1,78	
3	780050	O-ring	1	Ø 28,25x1,78		41	1080401	Ring	1	anti-extrusion	
4	1340190	Cover	1			42	1343450	Wobble plate	1		
5	480480	O-ring	1	Ø 4,48x1,78		43	1460190	Spring	1		
6	680700	Screw	1	TCEI M6x20		44	1343000	Wobble plate	1		
7	620301	Plug	1	1/8" G	Loxeal 55-14	45	1980640	Insert	1		
8	620301	Plug	1	1/8" G	Loxeal 55-14	46	1060120	Nut	1	M6	
9	851100	Screw	1	M5x5		47	392840	Screw	1	M6x16	
10	1250270	Spring	1			48	1981780	Knob	1		
11	1250280	Ball	1			49	1981770	Plug	1		
12	1460430	O-ring	1	Ø 4x2,5		50	1342750	Plate	3		
13	1340260	Filter	1			51	1342720	Ring	3	support Ø 15	
14	1461470	Fitting	1	3/4" G (F)		52	1342760	Water seal	3		
15	1343110	O-ring	1	Ø 4x1,1		53	1342730	Piston guide	3	Ø 15	
16	1342710	Nozzle	1			54	770260	O-ring	3	Ø 23,52x1,78	
17	1460430	O-ring	1	Ø 4x2,5		55	1260440	Water seal	3	Ø 15	Lubricate with grease Molykote PG54
18	1460260	Piston	1			56	1344050	Pump body	1		
19	1540140	Spring	1			57	881470	Screw	4	TCEI M6x45	
20	880270	O-ring	1	Ø 17,17x1,78		58	1040710	O-ring	1	Ø 56x2	
21	1342690	Fitting	1			59	1344060	Cover	1		
22	390341	O-ring	1	Ø 5x2		60	1260780	Screw	4	TCEI M5x25	C=5Nm
23	620301	Plug	1	1/8" G	Loxeal 55-14	61	1340050	Plug	1		
24	800560	O-ring	6	Ø 8,73x1,78	Lubricate with grease Molykote PG54	62	1260050	Bushing	1		
25	1349053	Valve	6			63	1260780	Screw	4	TCEI M5x25	C=5Nm
26	1343810	Spacer	3			64	1340300	Shaft	1	2 marked	
27	740290	O-ring	3	Ø 14x1,78	Lubricate with grease Molykote PG54	65	880111	Key	1		
28	600180	O-ring	1	Ø 7,66x1,78		66	1341070	Bearing	1		
29	1342700	Seat	1			67	480890	Ring	1	seeger Øe 17	
30	1460150	Piston	1	lower		68	111120	Ring	1	seeger Øi 47	
31	740290	O-ring	1	Ø 14x1,78	Lubricate with grease Molykote PG54	69	1341080	Ring	1	seal	
32	2668	Regulation valve kit	1			70	1340060	Connecting-rod	3		
33	1342680	Cover	1			71	1340080	Pin	3		
34	480480	O-ring	2	Ø 4,48x1,78		72	1340070	Piston	3	guide	
35	1260670	Fitting	1			73	1260460	Oil seal	3		
36	1381550	Washer	4			74	600180	O-ring	3	Ø 7,66x1,78	
37	1343510	Screw	4	TCEI M6x14	C=10Nm	75	1341010	Plate	3		
38	1080190	O-ring	1	Ø 2,90x1,78	Lubricate with grease Molykote G807	76	1342740	Piston	3	Ø 15	

Revision: 1

Oil type: SAE 15W40

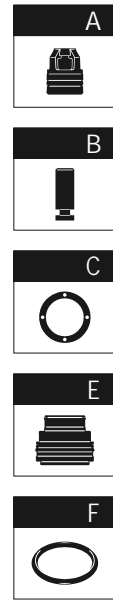
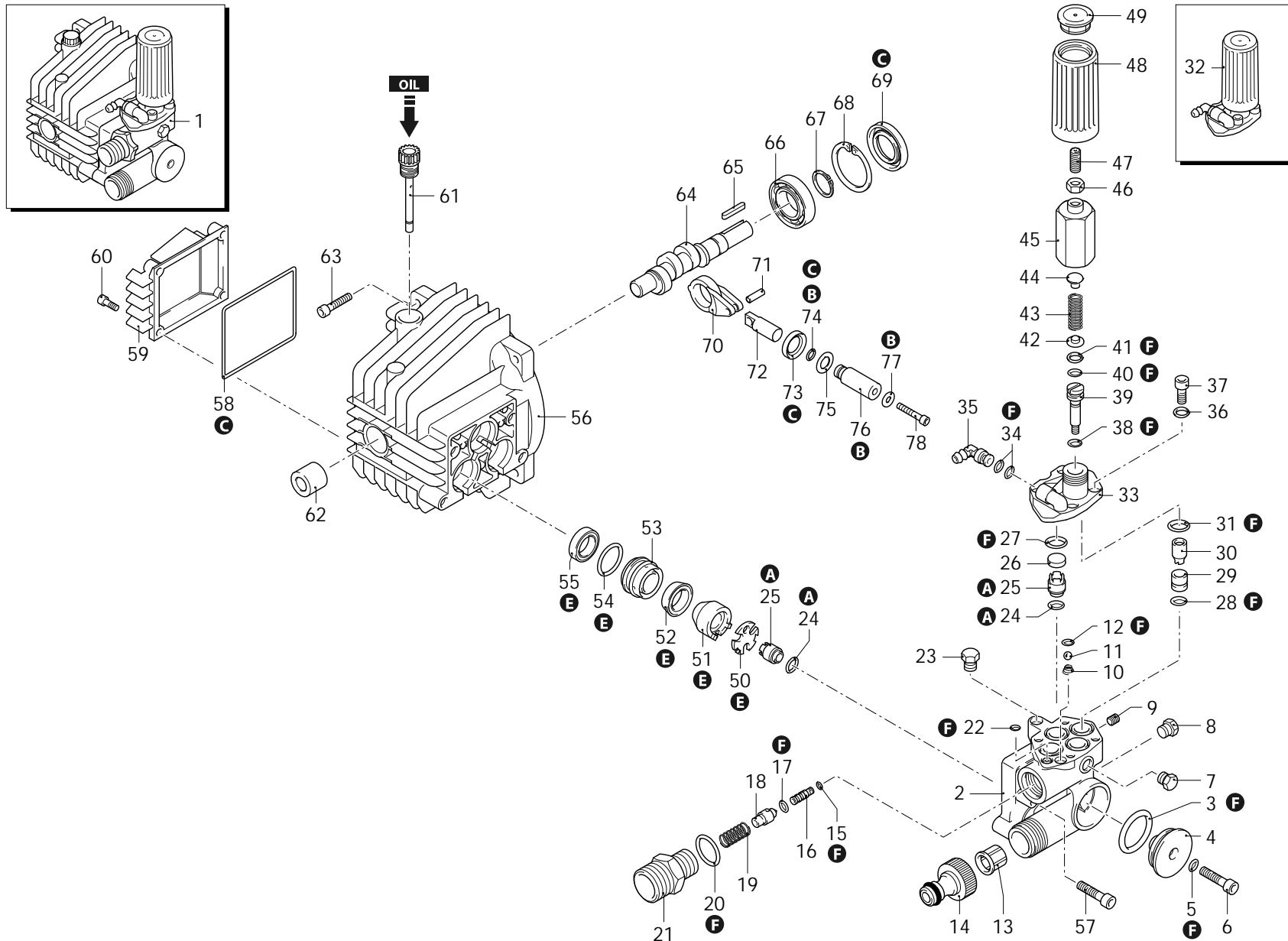
Validity: < XX/YY = From week/year

Date: 31/05/2024

Oil quantity: 0,130 Kg

C= Tightening torque (Tolerance +0 ÷ -10%)

* = Not present for electric pump





Series Additional Electric Motor

HPV

2800rpm

P	Code	Description	Q	Assembly prescription	Validity	P	Code	Description	Q	Assembly prescription	Validity
77	1341020	Washer	3								
78	850670	Screw	3	TCEI M6x35						C=10Nm	
A	1880	Valve kit	1								
B	2623	Piston kit	1	Ø 15							
C	1876	Oil seal kit	1								
E	2624	Water seal kit	1	Ø 15							
F	2767	Gasket kit	1								

Revision: 1

Oil type: SAE 15W40

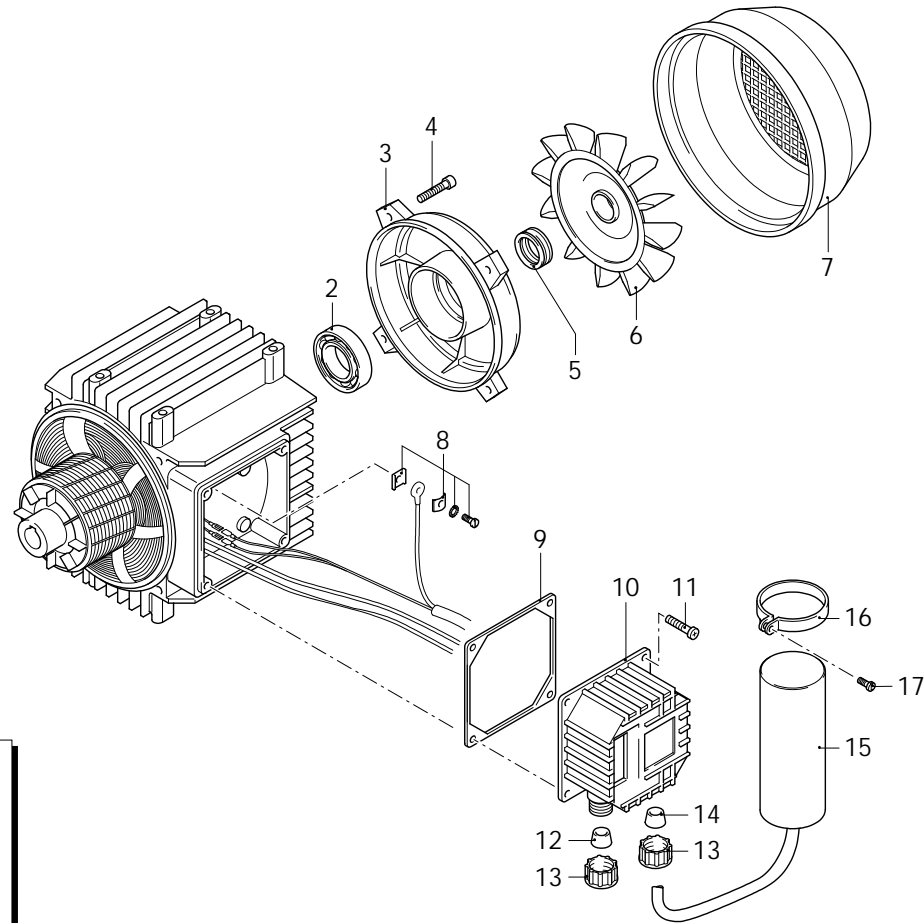
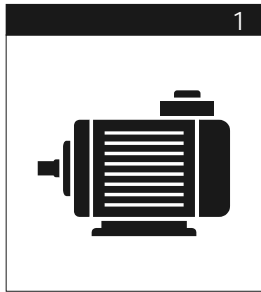
Validity: < XX/YY = From week/year

Date: 31/05/2024

Oil quantity: 0,130 Kg

C= Tightening torque (Tolerance +0 ÷ -10%)

** = Not present for electric pump*



AR-1_motore-34_v01



Series Additional Electric Motor

HPV

2800rpm

P	Code	Description		Q	Assembly prescription	Validity	P	Code	Description		Q	Assembly prescription	Validity
1	4967	Motor	S.134	1	1,7 HP								
2	1340340	Bearing		1									
3	1340320	Shield		1									
4	1260760	Screw	TCEI M5x20	4	C=5,4Nm								
5	1340350	Seal		1									
6	1260300	Fan		1									
7	1342040	Fan cowling		1									
8	1269100	Clamp		1									
9	1340780	Gasket		1									
10	1341830	Box		1									
11	1261560	Screw	TC 3,9x16	3									
12	1340660	Gland		1									
13	1340640	Ring nut		2									
14	1340650	Gland		1									
15	1263550	Capacitor	80 µF	1									
16	1340280	Clamp		1									
17	1261560	Screw	TC 3,9x16	1									
18	320350	Screw	TE M6x12	4	C=10Nm								
19	550331	Washer	Z/B	4									
20	1341840	Foot		2									

Revision: 1

Oil type: SAE 15W40

Validity: < XX/YY = From week/year

Date: 31/05/2024

Oil quantity: 0,130 Kg

C= Tightening torque (Tolerance +0 ÷ -10%)

** = Not present for electric pump*