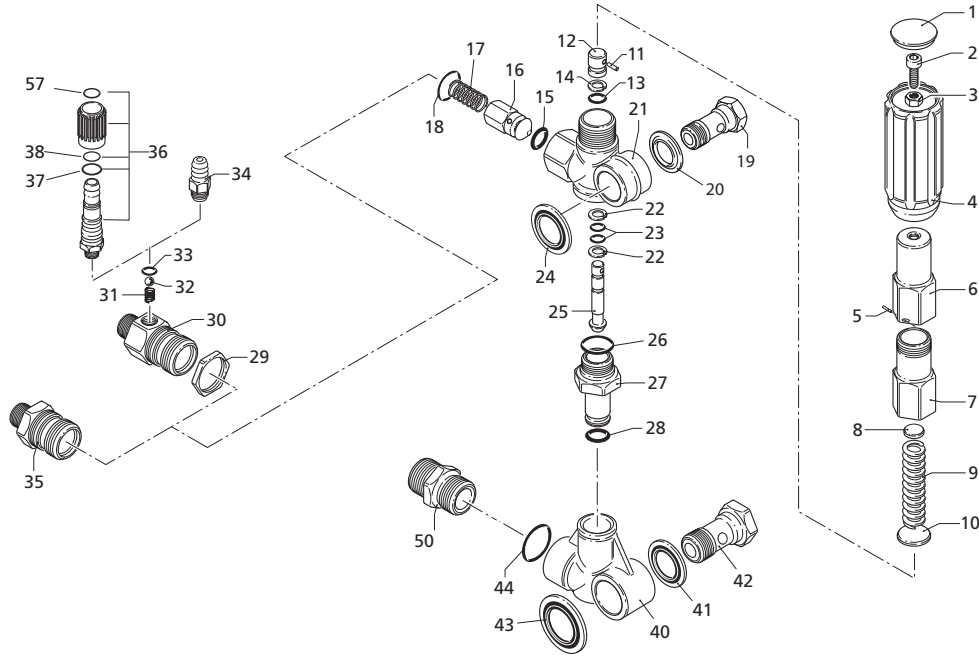


A.R. NORTH AMERICA GYMATIC 3/B



Bolts Kit 2119	
Pos.	Qty
19	1
20	1
24	1
41	1
42	1
43	1

COUNTRY OF ORIGIN: ITALY
LAST UPDATED: APRIL 2023

115 - 1

Pos	Code	Description	Qty	Note
1	1560580	Unloader Cap	1	
2	540290	Adjusting Screw M8x25	1	
3	1660210	Nut M8	1	
4	1560400	Unloader Knob	1	
5	1080070	Roll Pin	1	
6	1560420	Adjusting Barrel Brass	1	
7	1560410	Spring Guide	1	(309 in/lbs)
8	1560440	Spring Plate	1	
9	1560350	Spring	1	
10	1080610	Spring Button	1	
11	1080660	Pin	1	
12	1080540	Upper Piston	1	
13	391000	O-Ring Ø9.13x2.62	1	
14	1080640	Fiber Ring	1	
15	1560150	O-Ring Ø5.94x3.53	1	
16	1560100	Jet Valve	1	
17	1560140	Spring	1	
18	180101	O-Ring Ø 17.5x2	1	
19	1540272	Mounting Bolt Outlet 3/8" G	1	(265 in/lbs)
20	390080	O-Ring Ø 11.91x2.62	1	
21	1560010	Valve Body	1	
22	1080550	Fiber Ring	2	
23	480480	O-Ring Ø 4.48x1.78	2	
24	1560280	Sealing Washer Ø 3/8"	1	
25	1560320	Lower Piston	1	
26	880270	O-Ring Ø 17.17x1.78	1	
27	1560051	By-Pass Adaptor	1	(309 in/lbs)
28	390080	O-Ring Ø 11.91x2.62	1	
29	1560510	Lock Nut	1	● □
30	1560500	Injector Body 3/8" G 1.8	1	● □ (309 in/lbs)
	1560530	Injector Body 3/8" G 2.1	1	● □ (309 in/lbs)
31	1560520	Spring	1	● □
32	1250280	Ball	1	● □

Pos	Code	Description	Qty	Note
33	480480	O-Ring Ø 4.48x1.78	1	● □
34	1560490	Hose Barb (Fixed)	1	● (35 in/lbs)
	1560700	Adaptor Steel 3/8" NPT	1	○ (265 in/lbs)
35	1560110	Adaptor Brass 3/8" G	1	○ (265 in/lbs)
	1560111	Adaptor Steel 3/8" G	1	○ (265 in/lbs)
36	1569206	Complete Hose barb (Adj., Plastic Knob)	1	□
	1569202	Complete Hose barb (Adj., Brass Knob)		●
39	1560670	Detergent Regulator Knob	1	□
40	1540020	By-Pass Housing	1	
41	1540120	Sealing Washer Ø 1/2"	1	
42	1540090	Mounting Bolt Inlet	1	(354 in/lbs)
43	1560290	Sealing Washer Ø 1/2"	1	
44	480440	O-Ring Ø 17.13x2.62	1	
50	1540050	Inlet Fitting 1/2" G	1	(354 in/lbs)
	1560640	Inlet Fitting 1/2" NPT	1	(354 in/lbs)

Designed for XM, RK and RR Pumps up to 3650 PSI

OPTIONAL PARTS/KITS

Pos	Code	Description	Qty	Note
42	1560710	Mounting Bolt w 1/8" Tap 1/2" G Inlet	1	
	42125	Chemical Injector Kit w/o Hose barb	1	Pos 31, 32, 33
	1569204	Adjustable Injector Kit	1	Pos 29, 30, 31, 32, 33, 36, 37, 38, 57
	2611	O-Ring kit	1	Pos 13, 14, 15, 18, 20, 22, 23, 24, 26, 28, 33, 41, 43

LEGEND

Symbol	Material	Description
○	-	3/B AR20242
●	-	3/B+ID AR20081 (1.8), AR20082 (2.1)
□	-	3/B+IDR AR20399 (1.8), AR20400 (2.1)

Unloaders