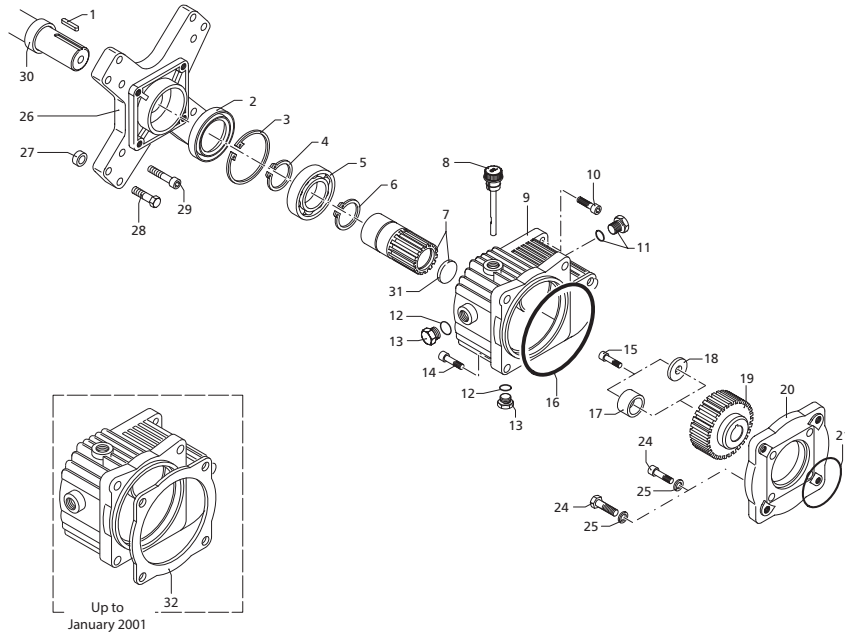


# A.R. NORTH AMERICA GEAR BOX 1689/1690/1697/1698



Oil Seal Kit 2571	
Pos.	Qty
2	1
3	1
4	1
12	2
16	1
21	1
32	1

Bolts/Bushings Kit 2802	
Pos.	Qty
1	1
27	4
28	4
29	4
30	1

X/Flange w/Bolts Kit 2323	
Pos.	Qty
10	4
26	1

Gear Boxes

114 - 1

Pos	Code	Description	Qty	Note
1	940770	Key (8 HP)	1	
2	961800	Oil Seal (9-10 HP)	1	○ ●
	1941920	Oil Seal	1	□ ■
3	961790	Retainer Ring	1	
4	320240	Retainer Ring	1	
5	961781	Bearing	1	
6	320240	Retainer Ring	1	○ ■
	1389001	Pinion Ø 1" Z=23 (1750 rpm)	1	● □
7	1389000	Pinion Ø 1" Z=21 (1450 rpm)	1	○ ■
	1140370	Oil Cap (Vented Dipstick)	1	
9	1320910	Gear Box Housing	1	
10	881940	Bolt M8x25	4	(212 in/lbs)
11	1980290	Oil Sight Glass	1	(70 in/lbs)
12	740290	O-Ring Ø 14x1.78	2	
13	1989600	Plug w/O-ring 3/8" G-Brass, w/O-ring	2	(177 in/lbs)
14	160671	Bolt M10x25	4	(212 in/lbs)
15	880280	Bolt M6x18	1	(88 in/lbs)
16	1520590	O-Ring Ø 107.67x1.78	1	After Jan 2001
17	1940500	Bushing	1	□ ■
18	780230	Washer Ø 6.5	1	○ ●
	1321230	Gear Z=45 (1750 rpm)	1	● □
19	1320960	Gear Z=47 (1450 rpm)	1	○ ■
	1320930	Flange	1	
21	640030	O-Ring Ø 59.99x2.62	1	
24	180432	Bolt M8x20 (XM)	4	○ ● (212 in/lbs)
	390450	Bolt M8x30	4	○ ● □ ■ (212 in/lbs)
25	2820500	Sealing Washer	4	
26	1320940	Motor Flange	1	
27	961770	Spacer	4	
28	961900	Bolt TE 3/8"	4	
29	651000	Bolt TCEI 5/16"	4	

Pos	Code	Description	Qty	Note
30	1382540	Spacer Shaft	1	
31	1382530	Pinion Seal	1	
32	1320990	Paper Gasket	1	up to Jan 2001

Oil: 80W-90 - Capacity 7.4 oz

### OPTIONAL PARTS/KITS

Pos	Code	Description	Qty	Note
25	1260100	Washer 8x13x0.50	4	

### LEGEND

Symbol	Material	Description
○	-	1689, Reduction: 1:2.24 XM & RK (short shaft) Series
●	-	1690, Reduction: 1:2 XMA, SXMA & RKA (short shaft) Series
□	-	1697, Reduction: 1:2 XWA, SXWA & RKA (long shaft) Series
■	-	1698, Reduction: 1:2.24 XW, SXW & RK (long shaft) Series

**COUNTRY OF ORIGIN: ITALY**  
LAST UPDATED: OCTOBER 2023