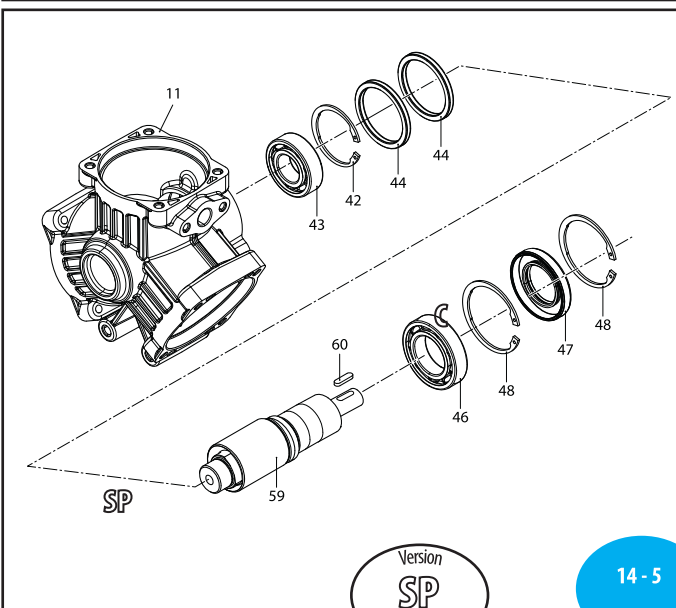
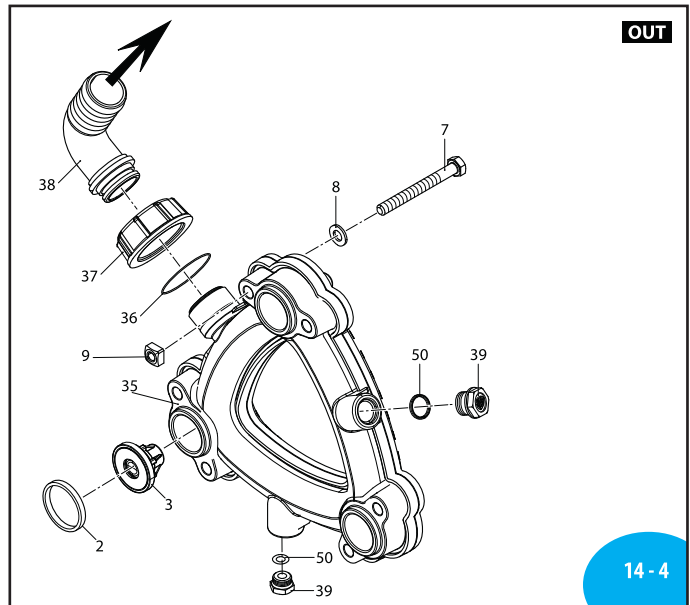
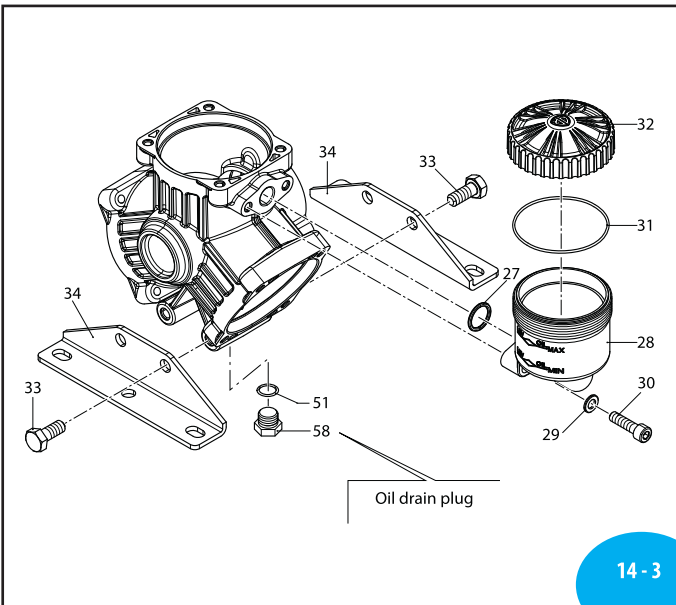
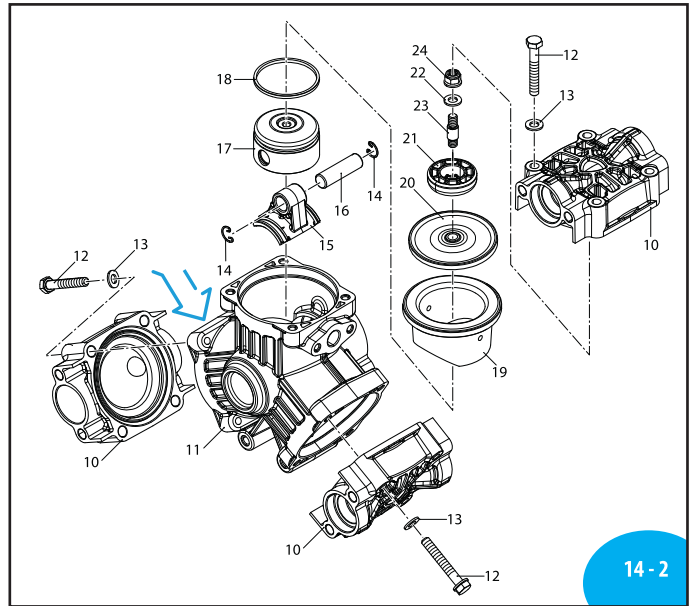
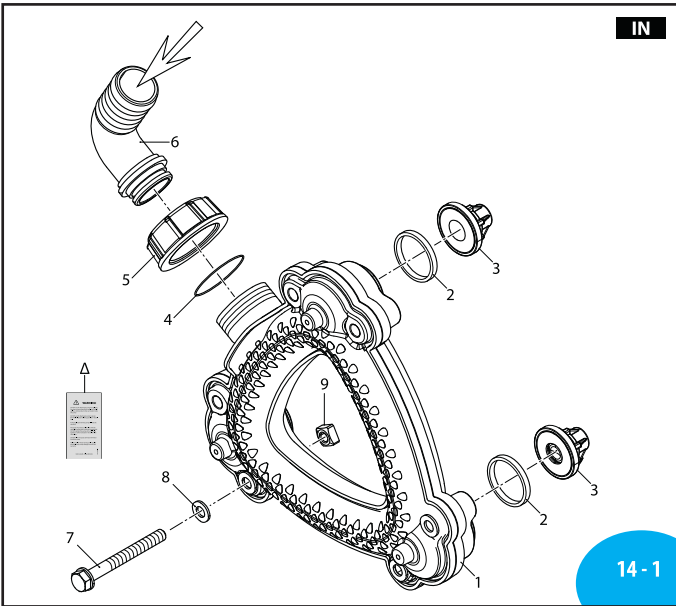


# A.R. NORTH AMERICA

## AR 75 LFP



# AR 75 LFP

	SP BlueFlex™
AR70LFP	33282

Low pressure

Pos	Code	Description	Qty	Note
1	4800110	Manifold	1	
2	3120680	Gasket	6	Viton
3	3129051	Valve	6	
4	880311	O-ring Ø 26.65x2.62	1	Viton
5	651100	Ring nut 1 1/4" G	1	
6	622080	Hose barb 1 1/4"	1	
7	1140432	Bolt M8x75	12	SST133*
8	390315	Washer	11	SS
9	3120510	Nut M8	12	SS
10	4800030	Head	3	
11	4800010	Pump body	1	
12	800861	Bolt M8x55	12	SST177*
13	390315	Washer	12	SS
14	380080	Snap ring Øi 14	6	
15	4800040	Connecting-rod	3	
16	380300	Pin	3	
17	4800190	Piston	3	
18	4800200	Piston ring	3	
19	4800210	Sleeve	3	
20	3120082	Diaphragm Øe 90	3	BlueFlex™
21	4800020	Retaining washer	3	
23	3120101	Hub pin AISI 316L	3	T221*
24	3120790	Nut M8 AISI 316L	3	T177*
27	390180	O-ring Ø 18.72x2.62	1	
28	4700030	Sight glass	1	
29	380245	Washer	2	SS
30	620612	Bolt M8x30	2	SST88*
31	1040060	O-ring Ø 72.69x2.62	1	
32	750050	Plug red	1	
33	650642	Bolt M10x25	4	SST442*
34	4800060	Base	2	
35	4800130	Manifold	1	
36	1140451	O-ring Ø 20.24x2.62	1	Viton
37	3120440	Ring nut 1" G	1	
38	3120460	Hose barb 1"	1	
39	3120690	Plug 3/8" G	2	T18*
42	1260790	Snap ring Øi 52	1	
43	1320370	Bearing	1	
44	3460090	Ring Connecting rod	2	
46	621130	Bearing	1	
47	230380	Ring	1	
48	200390	Snap ring Øi 62	2	
50	2840891	O-ring Ø 14x2	2	Viton

Pos	Code	Description	Qty	Note
51	820510	O-ring Ø 10.82x1.78	1	
58	880581	Oil drain plug 1/4" G	1	T177*
59	4800320	Shaft marked GE	1	SP version
60	2460480	Key	1	

\* Torque: in-lbs +/- 10%


AR 43080 BlueFlex diaphragms	
Pos.	Qty
20	3

AR 42816 Valves	
Pos.	Qty
2	6
3	6

AR 46142 O-Rings	
Pos.	Qty
4	1
27	1
31	1
36	1
50	1
51	1

Suggested oil	
Type	Oz
AR64532D	32

Crankcase Oil  
Capacity 19 oz



Pump and manufacturer identification.