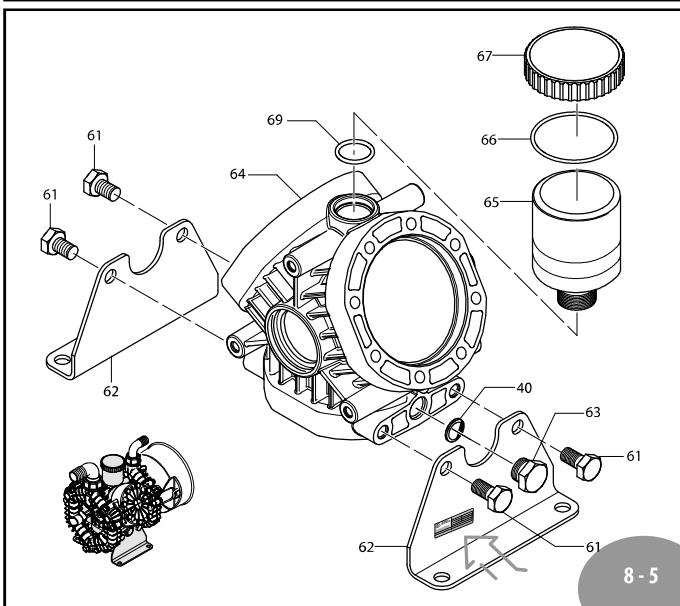
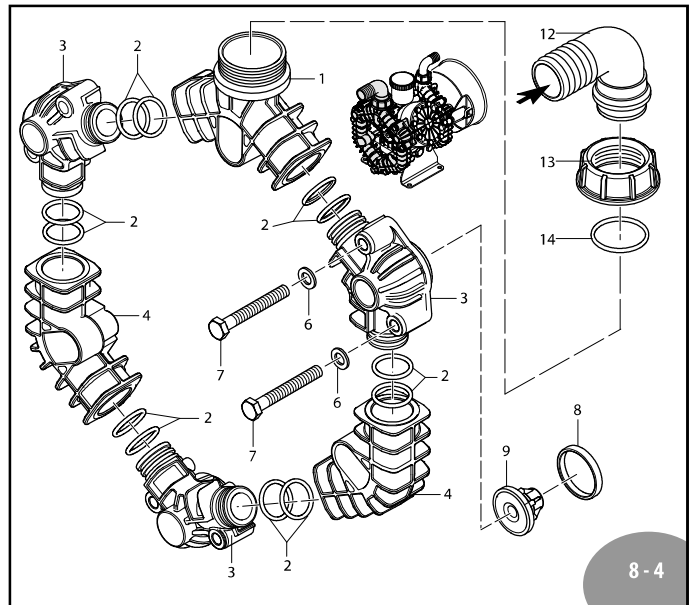
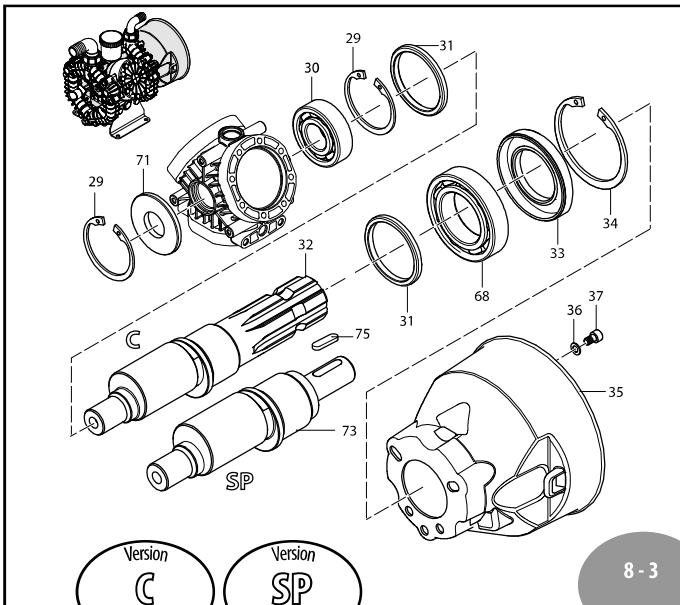
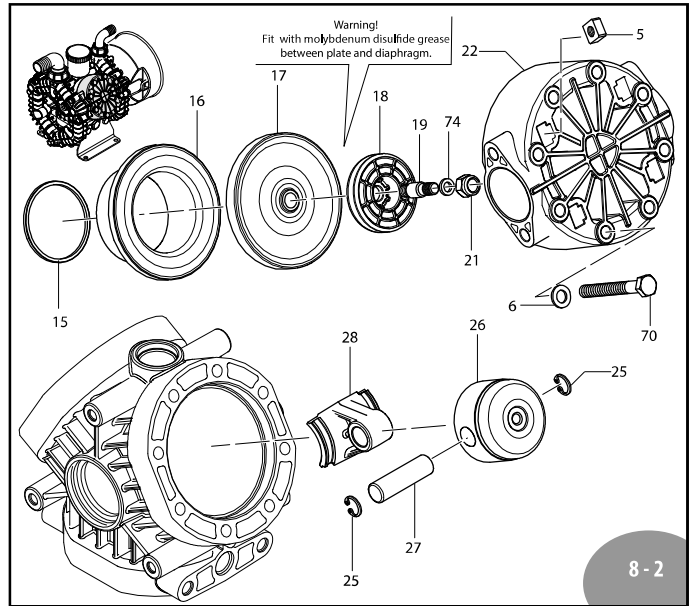
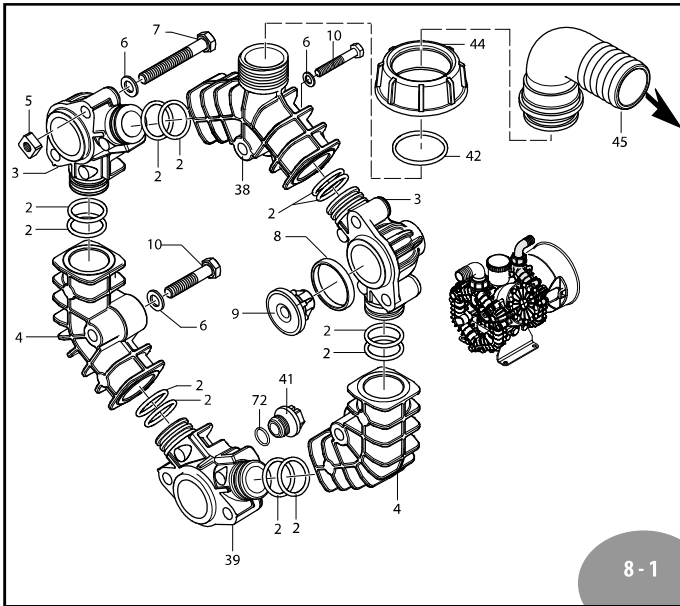


A.R. NORTH AMERICA

AR45LFP / AR 45 bp



AR 45LFP / AR 45 bp

| | | | | |
|---------|-------|-------|-----------|--------|
| | C | SP | GR3/4-GCI | GR-GCI |
| AR45LFP | 32002 | 33035 | | 31878 |
| AR45bp | 31689 | 31690 | 31692 | |

| Pos | Code | Description | Qty | Note |
|-----|---------|------------------------------|-----|-------------------|
| 1 | 3120410 | Manifold suction | 1 | |
| 2 | 720030 | O-ring Ø 22.22x2.62 | 24 | AR45bp |
| | 720031 | O-ring Ø 22.22x2.62 | 24 | Viton AR45LFP |
| 3 | 3120050 | Manifold | 5 | |
| 4 | 3120060 | Manifold | 4 | |
| 5 | 3120510 | Nut M8 | 12 | SS |
| 6 | 3120761 | Washer | 42 | Z/B AR45bp |
| | 3120760 | Washer | 42 | SS AR45LFP |
| 7 | 3120251 | Bolt TE M8x60 | 12 | T90* AR45bp |
| | 3120250 | Bolt TE M8x60 | 12 | SS T90* AR45LFP |
| 8 | 3120230 | Gasket | 6 | AR45bp |
| | 3120680 | Gasket | 6 | Viton AR45LFP |
| 9 | 3129051 | Complete valve | 6 | AR45LFP |
| | 3129050 | Complete valve | 6 | AR45bp |
| 10 | 621782 | Bolt TE M8x40 | 6 | SS T90* AR45LFP |
| | 621780 | Bolt TE M8x40 | 6 | T90* AR45bp |
| 12 | 751200 | Elbow 1 1/4" | 1 | |
| 13 | 750670 | Ring nut 1 1/2" G | 1 | |
| 14 | 1880460 | O-ring Ø 29x3 | 1 | Viton AR45LFP |
| | 390290 | O-ring Ø 29x3 | 1 | AR45bp |
| 15 | 3120130 | Piston ring | 3 | |
| 16 | 3120090 | Sleeve | 3 | |
| 17 | 3120080 | Diaphragm | 3 | NBR AR45bp |
| | 3120082 | Diaphragm | 3 | BlueFlex™ AR45LFP |
| | 3120081 | Diaphragm | 3 | Viton |
| | 3120085 | Diaphragm | 3 | Desmopan |
| 18 | 3120120 | Retaining washer | 3 | |
| 19 | 3120101 | Hub pin AISI 316L | 3 | T220* (a) AR45LFP |
| | 3120100 | Hub pin AISI 316L | 3 | T220* (a) AR45bp |
| 21 | 3120790 | Nut M8 AISI 304 | 3 | T180* (a) AR45LFP |
| | 3120110 | Nut M8 AISI 304 | 3 | SS T180* AR45bp |
| 22 | 3120020 | Head | 3 | |
| 25 | 1880450 | Ring circlip Øi 14 | 6 | |
| 26 | 3120070 | Piston Ø 54 | 3 | |
| 27 | 380300 | Pin | 3 | |
| 28 | 3120180 | Connecting-rod | 3 | |
| 29 | 1460490 | Ring circlip Øi 47 | 2 | |
| 30 | 380230 | Bearing | 1 | |
| 31 | 1300120 | Ring connecting rod | 2 | |
| 32 | 3120500 | Shaft marked DD | 1 | AR45bp/LFP C |
| 33 | 3120160 | Ring seal | 1 | |
| 34 | 961790 | Ring circlip Øi 68 | 1 | |
| 35 | 3240290 | Shield | 1 | |
| 36 | 320620 | Washer | 4 | AR45bp |
| 37 | 820670 | Bolt TCEI M10x16 | 4 | T90* AR45bp |
| 38 | 3120380 | Manifold | 1 | |
| | 3120330 | Manifold for GS25 Controller | 1 | Not Shown |
| 39 | 3120051 | Manifold | 1 | |

| Pos | Code | Description | Qty | Note |
|-----|---------|-----------------------------|-----|------------------|
| 40 | 740290 | O-ring Ø 14x1.78 | 1 | |
| 41 | 3120690 | Plug | 1 | T15* |
| 42 | 1140450 | O-ring Ø 20.24x2.62 | 1 | AR45bp |
| | 1140451 | O-ring Ø 20.24x2.62 | 1 | Viton AR45LFP |
| 44 | 3120440 | Ring nut 1" G | 1 | |
| 45 | 3120460 | Elbow 1" | 1 | |
| 61 | 620342 | Bolt TE M10x20 | 4 | SS T265* AR45LFP |
| | 620340 | Bolt TE M10x20 | 4 | T265* AR45bp |
| 62 | 3120140 | Base | 2 | |
| 63 | 880530 | Plug 3/8" G | 1 | T180* |
| 64 | 3120010 | Pump body | 1 | |
| 65 | 3120240 | Oil sight glass | 1 | T180* |
| 66 | 650920 | O-ring Ø 53.65x2.62 | 1 | |
| 67 | 1040320 | Plug red | 1 | |
| 68 | 961780 | Bearing | 1 | |
| 69 | 720030 | O-ring Ø 22.22x2.62 | 1 | |
| | 3120271 | Bolt TE M8x65 | 24 | SS T90* AR45LFP |
| 70 | 3120270 | Bolt TE M8x65 | 24 | T90* AR45bp |
| | 3120640 | Ring seal | 1 | |
| 72 | 2840891 | O-ring Ø 14x2 | 1 | Viton AR45LFP |
| | 2840890 | O-ring Ø 14x2 | 1 | AR45bp |
| 73 | 3120170 | Shaft marked DL | 1 | AR45bp/LFP SP |
| 74 | 3120760 | Washer | 3 | SS |
| 75 | 2280950 | Key | 1 | (d) |
| 76 | 3129013 | Complete Discharge manifold | 1 | AR45bp-SP |
| 77 | 3129015 | Complete inlet manifold | 1 | AR45bp |
| 78 | 3129000 | Piston ConRod assembly | 3 | Not shown |

(a) Bolt with Loctite 242 thread lock STRONG
(d) Supplied in kit applications.
Not shown 3129016 Complete Inlet Manifold AR45LFP

* Torque: in-lbs +/- 10%

| | |
|----------------------------------------|-----|
| AR 43239 BlueFlex diaphragms | |
| AR 43236 NBR diaphragms | |
| AR 43238 Viton diaphragms | |
| AR 43237 Desmopan diaphragms | |
| Pos. | Qty |
| 8 | 6 |
| 17 | 3 |

| | |
|-----------------------------------|-----|
| AR 42524 Valves AR45bp | |
| AR 42816 Valves AR45LFP | |
| Pos. | Qty |
| 8 | 6 |
| 9 | 6 |

| | |
|------------------------------------|-----|
| AR 42525 O-Rings AR45bp | |
| AR 43081 O-Rings AR45LFP | |
| Pos. | Qty |
| 2 | 24 |
| 14 | 1 |
| 40 | 1 |
| 42 | 1 |
| 66 | 1 |
| 69 | 1 |
| 72 | 1 |

| | |
|------------------------------|----|
| Suggested Oil | |
| Type | Oz |
| AR64532D | 32 |
| Crankcase Oil Capacity 13 oz | |

