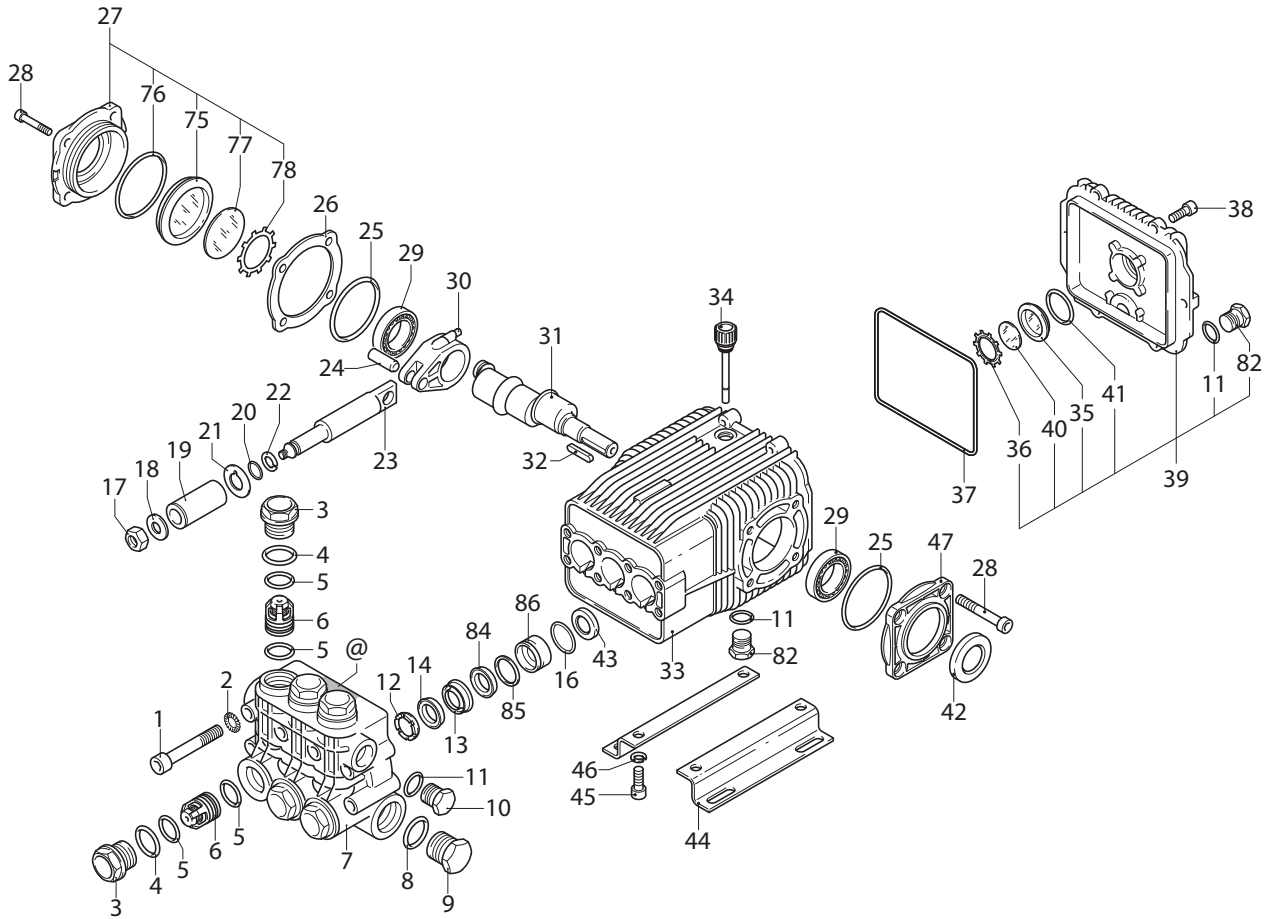
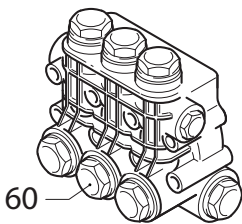


# A.R. NORTH AMERICA XWLA 1750 RPM



64 - 1

## Complete Pump Head



64 - 2



# XWLA 1750 RPM PARTS/KITS



Pos	Code	Description	Qty	Note
1	1940260	Head Bolt M10x80 (442 in/lbs)	8	
2	650530	Lock Washer	8	
3	1940140	Valve Cap (602 in/lbs)	6	
4	1940150	Fiber Ring	6	
5	1140450	O-Ring Ø 220.24x2.62	12	
6	1949050	Complete Valve	1	
7	1941550	Pump Head	1	
8	550350	O-Ring Ø 23.81x2.62	1	
9	1140300	Plug 3/4" G	1	
10	1989600	Plug 3/8" G Brass, w/O-ring	1	
11	740290	O-Ring Ø 14x1.78	3	
12	1941570	Support Ring	3	
13	1140280	Front Piston Guide	3	
14	820630	High Pressure Seal	3	
16	1140490	O-Ring Ø 37.82x1.78 (106 in/lbs)	3	
17	1940570	Nut	3	
18	1940580	Washer Copper	3	
19	1140190	Piston	3	
20	880840	O-Ring Ø 9.25x1.78	3	
21	1140160	Washer (Slinger)	3	
22	1940120	Fiber Ring	3	
23	1940070	Piston Rod	3	
24	1940060	Connecting Rod Pin	3	
25	1941380	O-Ring Ø 66.34x2.62	2	
26	1941390	Shim 0.05 mm	1-3	
	1941400	Shim 0.10 mm	1-3	
	1941410	Shim 0.19 mm	1-3	
	1941420	Shim 0.25 mm	1-3	
27	1949011	Side Cover w/Sight Glass	1	
28	850370	Bolt M8x16 (217 in/lbs)	8	
29	1140410	Bearing	2	
30	1940051	Connecting Rod Alum. w/bolt and lock washer (89 in/lbs)	3	
31	1940170	Solid Shaft 24mm, NL, 1 ID Stamp	1	
32	650250	Key	1	
33	1941330	Pump Housing	1	
34	1140370	Oil Cap (Vented Dipstick)	1	
35	1260250	Oil Sight Glass	1	
36	1260430	Retainer Ring	1	
37	1940410	O-Ring Ø 132x3	1	
38	1200430	Bolt M6x16 (89 in/lbs)	6	
39	1949010	Complete Rear Cover	1	
40	1780690	Sight Glass Diffuser	1	
41	1140450	O-Ring Ø 20.24x2.62	1	
42	820680	Shaft Oil Seal	1	
43	1940560	Oil Seal	3	
44	1940370	Rail 1-1/4"	2	
45	1940380	Bolt M10x18	4	
46	200231	Washer	4	

Pos	Code	Description	Qty	Note
47	1941240	Open Bearing Support	1	
60	1949205	Complete Pump Head	1	
75	1941270	Oil Sight Glass	1	
76	100410	O-Ring Ø 34.6x2.62	1	
77	1941260	Sight Glass Diffuser	1	
78	1941290	Retainer Ring	1	
82	1989600	Plug 3/8" G Brass, w/O-ring, 177 in/lbs	2	
84	2520360	Low Pressure Seal	3	
85	2520230	Ring	3	
86	1942260	Rear Piston Guide	3	

AR64516 Oil (16 oz) - Capacity 32 oz, QTY 2  
Pumps are Prefilled with Oil from the Factory.  
Change oil every 3-5 months or every 500 hours of operation.  
Tightening torque (Tolerance + 0 ÷ -10%)

OPTIONAL PARTS/KITS				
Pos	Code	Description	Qty	Note
	2748	Rail Kit 1-1/4" 2 Rails, 2 Bolts, 4 Washers	1	Pos 44, 45, 46
	1943200	Piston Guide Extractor w/slide hammer	1	
3	1941970	Tapped Valve Cap Threaded 1/4" (602 in/lbs)	1	
	2036	Viton Water Seals	1	

LEGEND			
Symbol	Material	Description	
☒	-	XWLA13G15	Ø 28

Valve Kit 2780	
Pos.	Qty
5	6
6	6

Piston Kit 1849	
Pos.	Qty
19	3

Water Seal Kit 1853	
Pos.	Qty
14	3
16	3
84	3
85	3
87	3

Oil Seal Kit 2781	
Pos.	Qty
25	2
37	1
42	1
43	3

Piston Guide Kit 2507	
Pos.	Qty
13	3
86	3

**COUNTRY OF ORIGIN: ITALY**  
LAST UPDATED: APRIL 2023