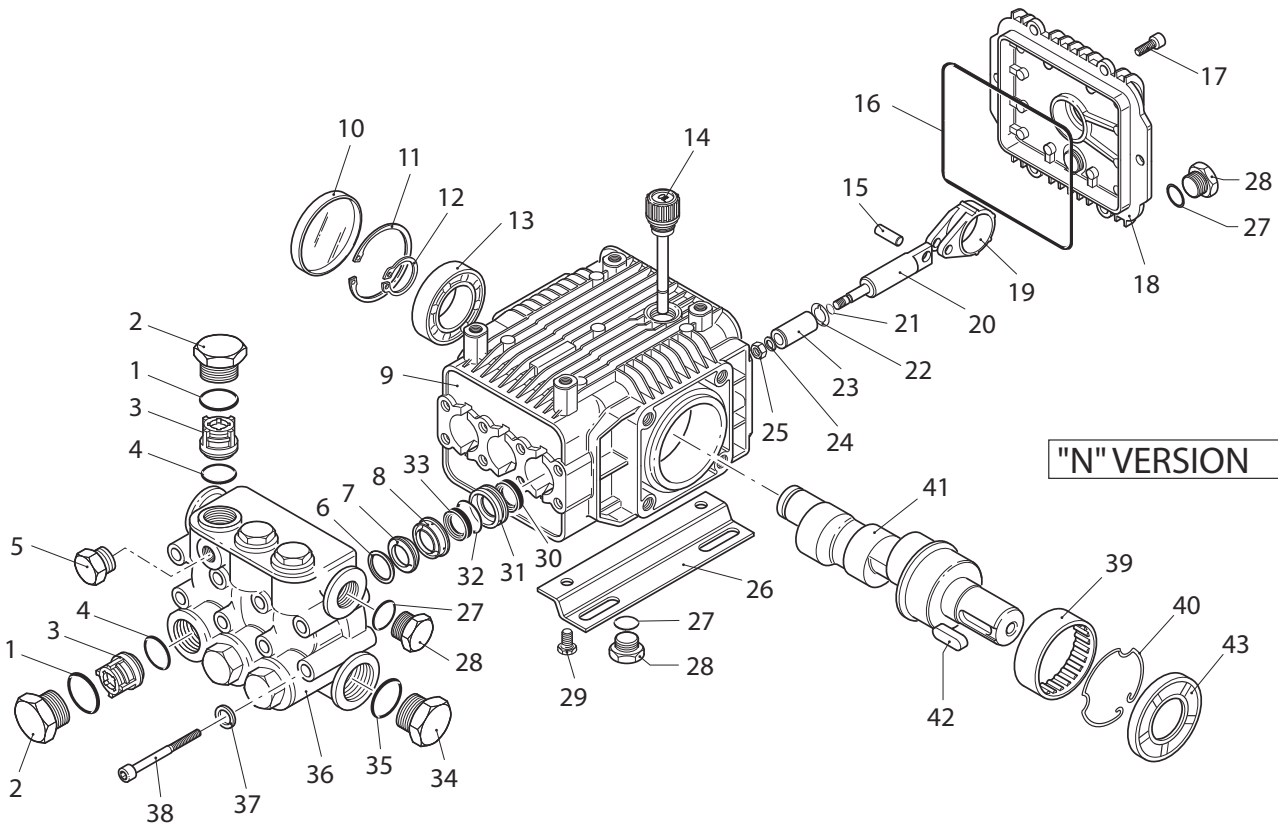


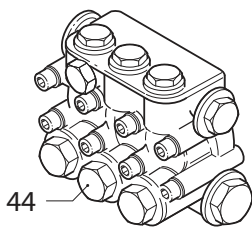
# A.R. NORTH AMERICA

## XM 1450 RPM



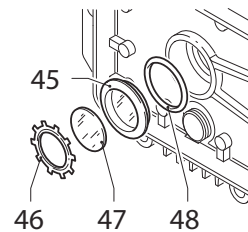
34 - 1

### Complete Pump Head



34 - 2

### Rear Cover Oil Sight Glass



34 - 3

# XM 1450 RPM PARTS/KITS

Commercial Pumps

Pos	Code	Description	Qty	Note
1	960160	O-Ring	Ø 17.86x2.62	6
2	1269657	Valve Cap	w/O-ring, Forged (442 in/lbs)	6
3	1269050	Complete Valve		6
4	880830	O-Ring	Ø 15.54x2.62	6
5	620301	Plug	1/8" G	1
6	1780130	Support Ring	Ø 15	3
	1780140	Support Ring	Ø 18	3
7	1260130	High Pressure Seal	Ø 15	3
	1260220	High Pressure Seal	Ø 18	3
8	1780090	Front Piston Guide	Ø 15	3
	1780110	Front Piston Guide	Ø 18	3
9	1780010	Pump Body		1
10	1266740	Bearing Cap		1
11	1260790	Retainer Ring	Ø i52	1
12	1780550	Retainer Ring	Ø e 20	1
13	1780490	Bearing		1
14	880130	Oil Cap (Vented Dipstick)		1
15	1780050	Connecting Rod Pin		3
16	1780510	O-Ring	Ø 106x3	1
17	1200430	Bolt	M6x16 (89 in/lbs)	6
18	1789010	Rear Cover		1
19	1780040	Connecting Rod	Alum.	3
20	1780060	Piston Rod		3
21	480480	O-Ring	Ø 4.48x1.78	3
22	1260091	Washer	(slinger)	3
23	1780070	Piston	Ø 15	3
	1780080	Piston	Ø 18	3
24	1260100	Washer	8x13x0.50	3
25	1260110	Nut	M8 (106 in/lbs)	3
	1380141	Rail	5/8"	2
26	Z-Bracket-1 3/4	Rail	1-3/4"	2
	Z-Bracket	Rail	2-5/8"	2
27	740290	O-Ring	Ø 14x1.78	3
28	1989600	Plug	3/8" G Brass, w/O-ring	3
29	1260470	Bolt	M8x10	4
30	1260460	Oil Seal		3
31	1780100	Rear Piston Guide	Ø 15	3
	1780120	Rear Piston Guide	Ø 18	3
32	770260	O-Ring	Ø 23.52x1.78	3
	1260440	Low Pressure Seal	Ø 15	3
33	1260450	Low Pressure Seal	Ø 18	3
	820361	Plug	1/2" G - Brass	1
35	180101	O-Ring	Ø 17.5x2	1
36	1780020	Blank Head		1
37	1381550	Lock Washer		8
38	1322730	Head Bolt	M6x60 (133 in/lbs)	8
39	1321190	Bearing		1
40	1321080	Retainer Ring		1

Pos	Code	Description	Qty	Note	
41	1780150	Solid Shaft	24mm, 1 ID Stamp	1	○
	1780160	Solid Shaft	24mm, 2 ID Stamp	1	■
	1780180	Solid Shaft	24mm, 4 ID Stamp	1	▽
42	1380520	Key		1	
43	1260750	Shaft Oil Seal		1	
44	1789201	Complete Pump Head	Ø 15	1	
	1789202	Complete Pump Head	Ø 18	1	
45	1260250	Oil Sight Glass		1	
46	1260430	Retainer Ring		1	
47	1780690	Sight Glass Diffuser		1	
48	1140450	O-Ring	Ø 20.24x2.62	1	

AR64516 Oil (16 oz) - Capacity 14.5 oz, QTY 1  
Pumps are Prefilled with Oil from the Factory.  
Change oil every 3-5 months or every 500 hours of operation.  
Tightening torque (Tolerance + 0 ÷ -10%)

OPTIONAL PARTS/KITS					
Pos	Code	Description	Qty	Note	
	2776	Viton Water Seals Kit	Ø 15	1	
	2777	Viton Water Seals Kit	Ø 18	1	
	2817	Water Seal Kit for up to 180°F	Ø 15 High Temp	1	
	42212	Water Seal Kit for up to 180°F	Ø 15 High Temp (Teflon)	1	
	2729	Rail Kit	5/8" - 2 Rails & 4 Bolts	1	Pos 26, 29
	2633	Rail Kit	1-3/4" - 2 Rails & 4 Bolts	1	Pos 26, 29
	2633H	Rail Kit	2-5/8" - 2 Rails & 4 Bolts	1	Pos 26, 29
2	1260162T	Tapped Valve Cap	1/4" threaded (442 in/lbs)	1	
	2740	Support Ring Kit	Ø 15	1	Pos 6
	2745	Support Ring Kit	Ø 18	1	Pos 6

LEGEND			
Symbol	Material	Description	
▽	-	XM13.17	Ø 18
○	-	XM11.17	Ø 15
■	-	XM15.15	Ø 18

Valve Kit 1864	
Pos.	Qty
3	6
4	6

Piston Kit 2544 (Ø 15) Kit 2545 (Ø 18)	
Pos.	Qty
21	3
22	3
23	3
24	3
25	3

Water Seal Kit 2741 (Ø 15) Kit 2747 (Ø 18)	
Pos.	Qty
7	3
32	3
33	3

Oil Seal Kit 2786	
Pos.	Qty
10	1
16	1
30	3
43	1

**COUNTRY OF ORIGIN: ITALY**  
LAST UPDATED: APRIL 2023