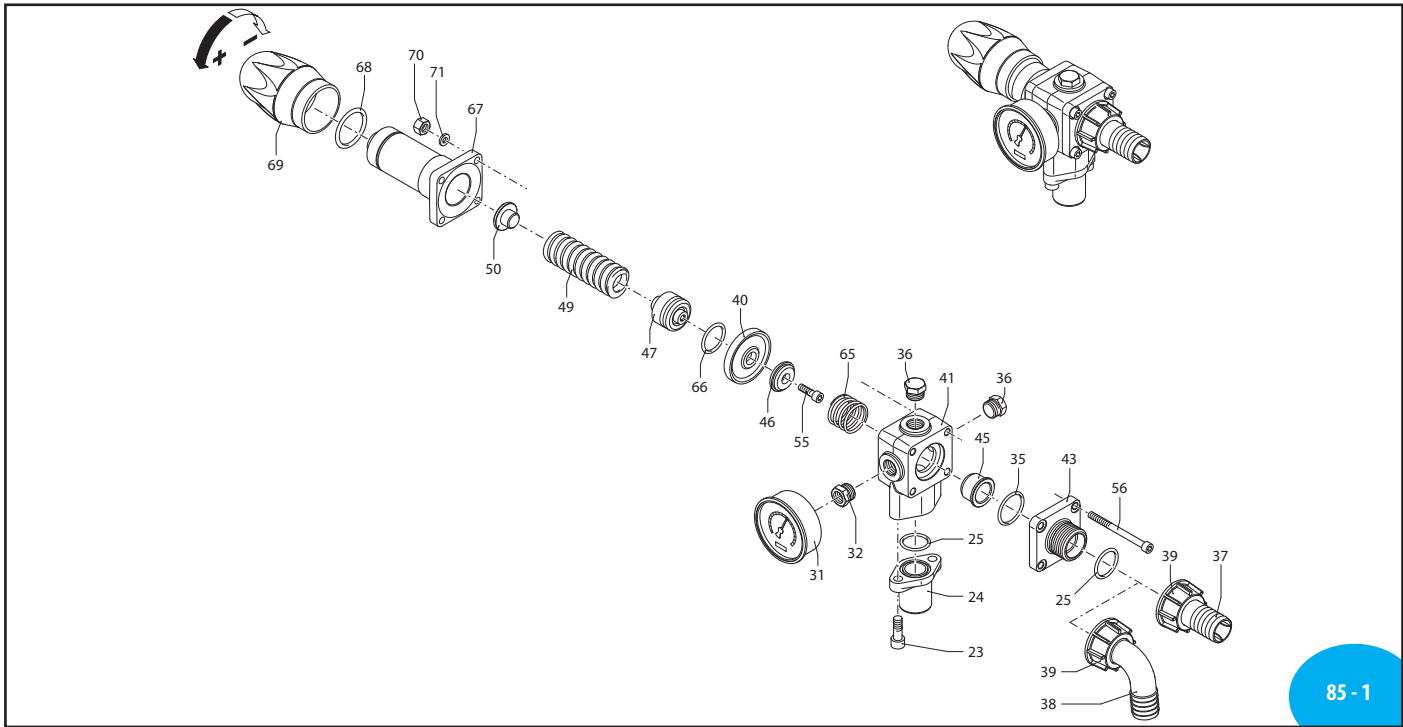


A.R. NORTH AMERICA **VH 50**



Pos	Code	Discription	Qty	Note
23	620610	Screw	TCEI M8x30	2 T180*
24	550394	Flange		1
25	550350	O-ring	Ø 23.81X2.62	2
31	1880290	Pressure gauge		1 0-1150 PSI
32	130170	Fitting		1 T180*
35	280220	O-ring	Ø 29.75x3.53	1
36	130171	Plug	3/8" G	2 T180*
37	550210	Pipe	Ø 25	1 Code958
38	550370	Pipe	Ø 25	1 Code31230
39	550242	Ring nut	1" G	1
40	1150130	Diaphragm		1 Desmopan
41	680413	Valve body		1
43	680432	Flange		1
45	680462	Seat		1
46	1150070	Valve		1
47	1150180	Piston		1
49	1150190	Spring		1
50	1150200	Wobble plate		1
55	680700	Screw	TCEI M6x20	1 SS T90*
56	1150940	Screw	TCEI M6x60	4 T90*
65	320420	Spring		1
66	620031	O-ring	Ø 24.99x3.53	1
67	1150171	Body	spring guide	1
68	820490	O-ring	Ø 34.65x1.78	1
69	1150920	Knob		1
70	390440	Nut	M6	4 T90*
71	550331	Washer		4

*Torque: in-lbs +/- 10%

Control units