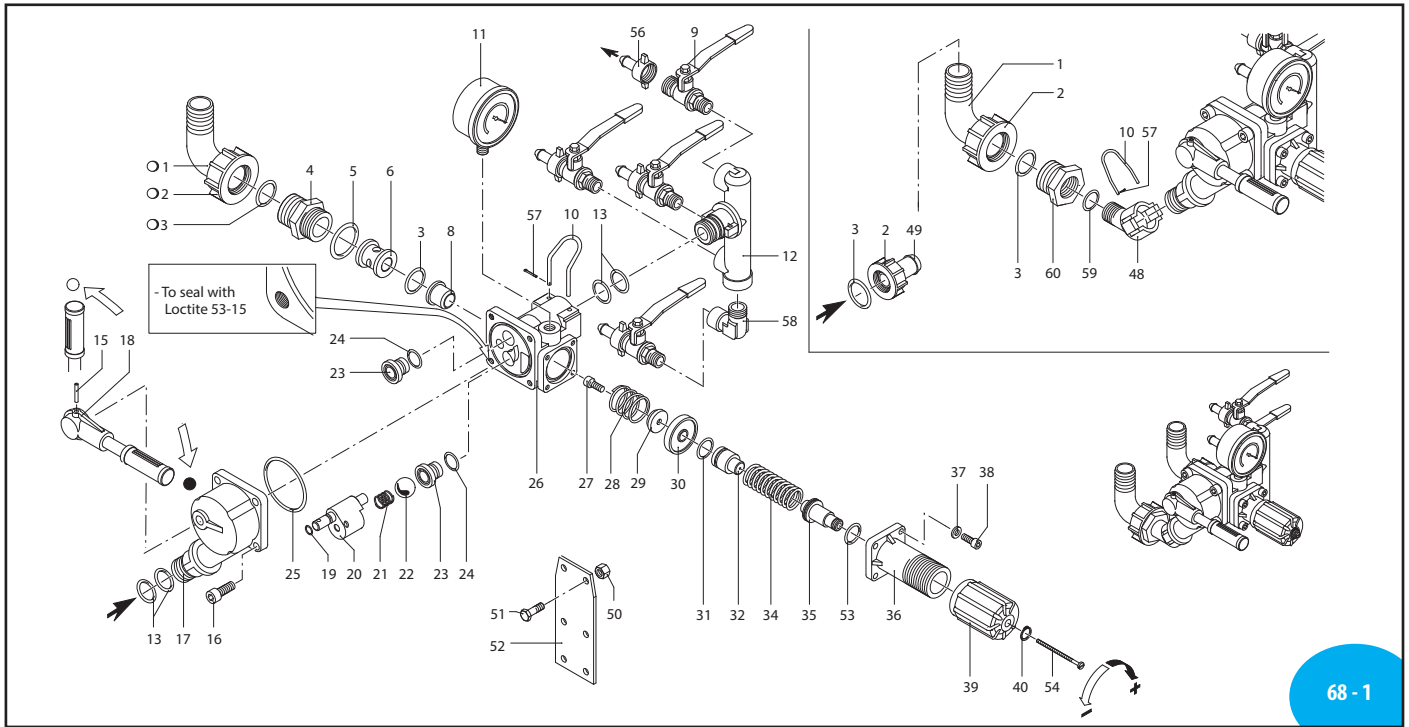


A.R. NORTH AMERICA VDR 20 S



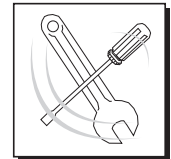
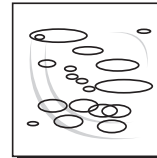
68 - 1

Control units

Pos	Code	Description	Qty	Note
1	550370	Elbow Ø 25	3	
2	550242	Ring nut 1" G	3	
3	550350	O-ring Ø 23.81x2.62	4	
4	1040780	Fitting 1" G M-M	1	
5	550040	O-ring Ø 26.65x2.62	1	
6	1040670	Spacer	1	
8	1040660	Seat	1	SS
9	130491	Ball valve 3/8" G - 1/2" G M-M DX	4	T180*
10	1040690	Fork	2	
11	391240	Pressure gauge	1	
12	1040680	Body	1	
13	390180	O-ring Ø 18.72x2.62	4	
15	1040820	Pin	1	
16	180030	Screw TCEI M8x20	4	T180* (1)
17	1040720	Body distributor	1	
18	1040730	Knob	1	
19	1080200	O-ring Ø 5.6x2.2	1	
20	1040700	Hub pin	1	
21	850680	Spring	1	
22	850660	Ball	1	SS
23	850650	Seat	2	
24	740290	O-ring Ø 14x1.78	2	
25	1040710	O-ring Ø 56x2	1	
26	1040600	Body	1	
27	680560	Screw TCEI M6x16	1	SST90*
28	1040650	Spring	1	
29	1040640	Valve	1	SS
30	1040630	Diaphragm	1	Desmopan
30	1040631	Diaphragm	1	NBR
31	880833	O-ring Ø 15.54x2.62	1	
32	1040622	Piston	1	
34	1041170	Spring	1	
35	394770	Hub pin	1	
36	1040610	Body spring guide	1	
37	550331	Washer	4	
38	1040370	Screw TCEI M6x22	4	
39	394790	Knob	1	T90*
40	480550	Ring circlip øe 12	1	
48	1040770	Fitting	1	
49	550210	Pipe Ø 25	1	
50	390270	Nut M8	2	T180*

Pos	Code	Description	Qty	Note
51	180370	Screw TE M8x25	2	
52	850690	Bracket	1	
53	770130	O-ring Ø 20.35x1.78	1	C1.4
54	1150650	Screw TCTC M3x60	1	
56	110131	Ring nut 1/2"	4	
57	1040950	Split pin	2	
58	900210	Fitting 3/8" G M-F	1	
59	550040	O-ring Ø 26.62x2.62	1	
60	800720	Fitting 3/4" G - 1" G F-M	1	

* Torque: in-lbs +/- 10%



AR 2384 O-Rings			
Pos.	Qty	Pos.	Qty
3	3		
5	1		
13	4		
19	1		
24	2		
25	1		
31	1		
53	1		
59	1		

AR 2385 Maintenance repair			
Pos.	Qty	Pos.	Qty
3	3	25	1
5	1	28	1
10	2	29	1
13	4	30	1
15	1	31	1
19	1	39	1
21	1	53	1
22	1	57	2
23	2		
24	2		