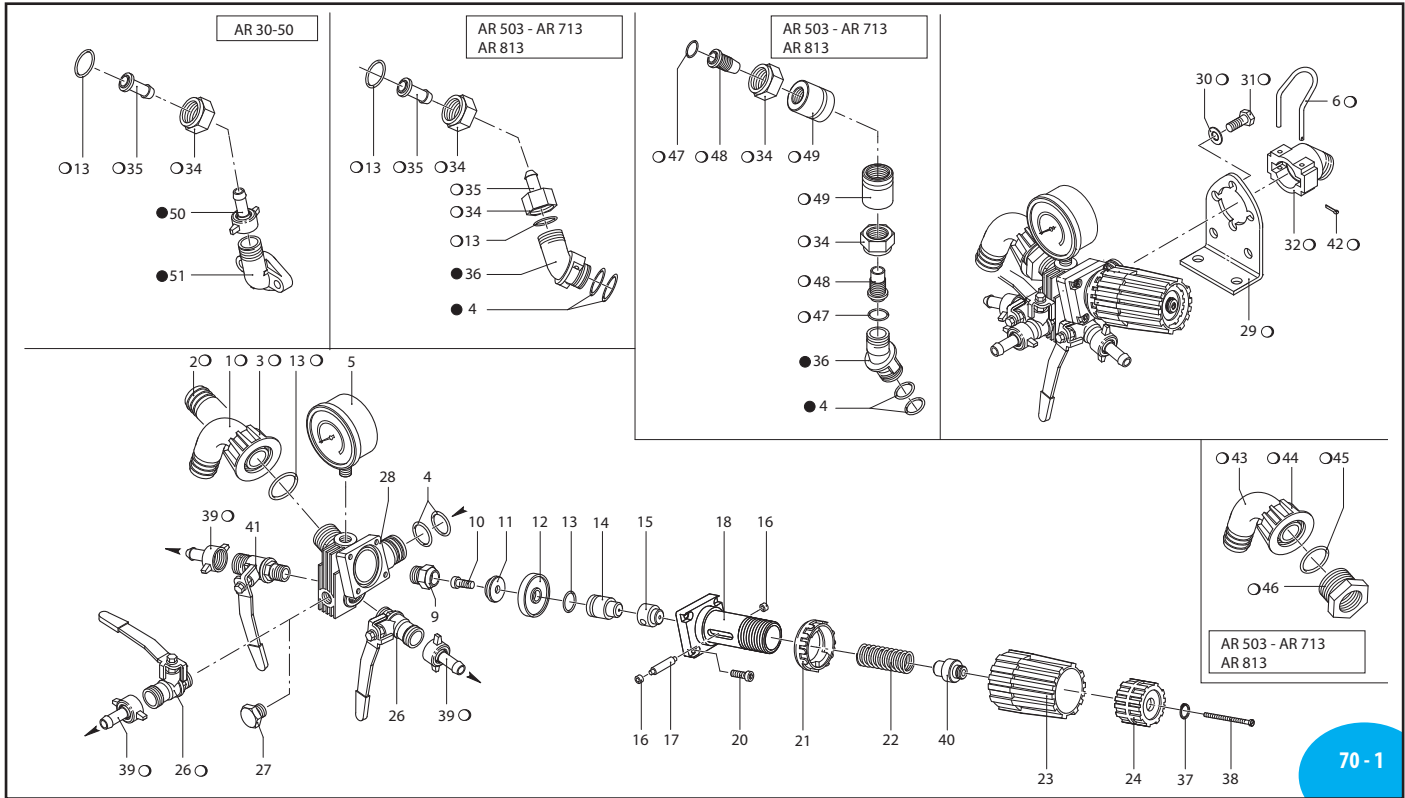


# A.R. NORTH AMERICA RM 40



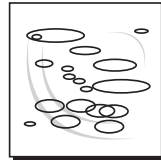
70 - 1

Pos	Cod.	Description	Q.ty	Note
1	550460	Elbow	Ø 18	1
2	800343	Hose tail	Ø 20	1 Optional
3	800342	Hose tail	Ø 16	1 Optional
4	550450	Ring nut	3/4" G	1
5	390180	O-ring	Ø 18,72x2,62	4 ▶
6	550545	Pressure gauge		1 0-1160 psi ◀
9	1151010	Pressure gauge	Ø63	1 0-725-1160 psi ◀
10	1040690	Fork		1
11	1150520	Seat		1 ◻
12	680560	Screw	TCEI M6x16	1 Inox ◀ T88*
13	1040640	Valve		1 Inox
14	1040630	Diaphragm		1 Desmopan
15	1040631	Diaphragm		1 NBR
16	880830	O-ring	Ø 15,54x2,62	4 ▶
17	1040621	Piston		1
18	1150560	Spacer		1
19	1150600	Ring		2
20	1150540	Hub pin		1
21	1150510	Body	superiore	1
22	780330	Screw	TCEI M6x20	4 T88*
23	1150530	Ring nut		1
24	394760	Spring		1
25	1150550	Knob		1
26	1150570	Ring nut		1
27	130491	Cock	3/8" G - 1/2" G M-MDX	2 ◀
28	130171	Plug	3/8" G	1 ◻
29	1150500	Valve body		1
30	1150590	Bracket		1
31	390311	Washer		2
32	180431	Screw	TE M8x16	2 T177*
33	1040770	Fitting		1
34	1040790	Ring nut	3/4" G	2
35	1150580	Hose tail	Ø 13	2
36	1040760	Fitting	3/4" G M	1
37	480550	Ring	seeger øe 12	1
38	1150650	Screw	TCTC M3x60	1 ◀ T44*
39	110131	Ring nut / HB	1/2" x 3/8"	3
40	110130	Ring nut / HB	1/2" x 1/2"	3 Optional
41	1150660	Spacer		1
42	130492	Cock	3/8" G - 1/2" G M-M SX	1 ◀
43	1040950	Split pin		1

Pos	Cod.	Description	Q.ty	Note
43	550370	Elbow	Ø 25	1
44	550242	Ring nut	1" G	1
45	550350	O-ring	Ø 23,81x2,62	1
46	800720	Fitting	3/4" G - 1" G F-M	1 ▶
47	960160	O-ring	Ø 17,86x2,62	2 ▶
48	1040810	Hose tail		2
49	1040800	Ring nut		2
50	110130	Ring nut	1/2"	1
51	450145	Flange		1

◊ Not part of RM 40  
● Part of pump

\* Torque: in-lbs +/- 10%



KIT 1988	
O-Rings	
Pos.	Q.ty
4	2
13	4

KIT 43969	
Repair Kit	
Pos.	Q.ty
4	4
9	1
11	1
12	1
13	4

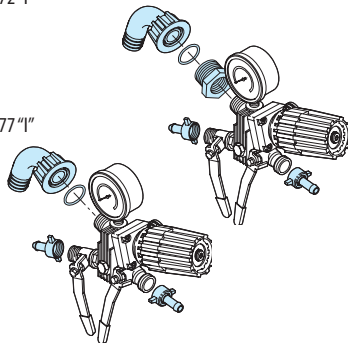
KIT 1989			
Maintenance repair			
Pos.	Q.ty	Pos.	Q.ty
4	2	21	1
6	1	22	1
9	1	23	1
11	1	24	1
12	1	37	1
13	4	38	1
15	1	40	1
17	1	42	1

# RM 40

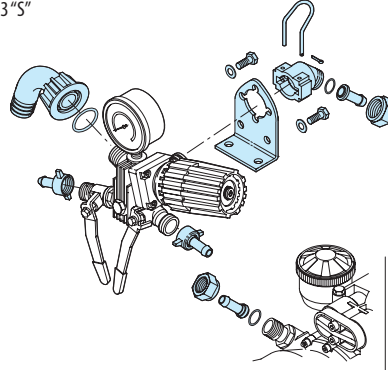
## Kit for RM 40

KIT 972 "I"

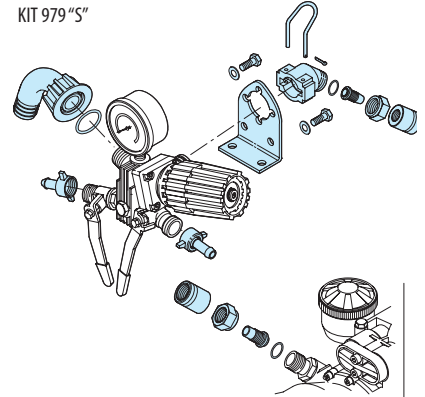
KIT 977 "I"



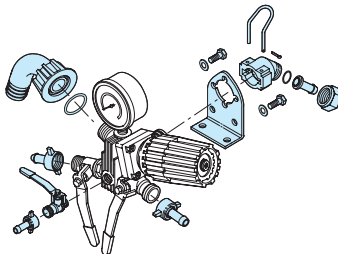
KIT 983 "S"



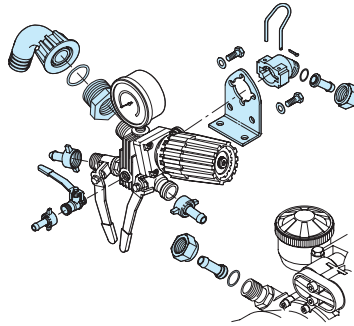
KIT 979 "S"



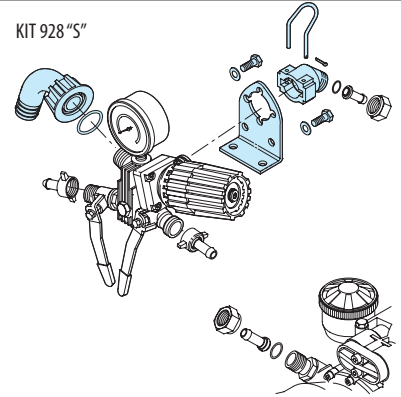
KIT 985 "S"



KIT 984 "S"



KIT 928 "S"



### Build-in control unit and remote control

KIT 972 "I" Build in control		KIT 977 "I" Build in control	
Pos.	Q.ty	Pos.	Q.ty
39	3	1	1
43	1	3	1
44	1	13	4
45	1	39	3
46	1		
For AR 713 AR 813		For AR 503	

KIT 983 "S" Remote control			
Pos.	Q.ty	Pos.	Q.ty
1	1	39	3
3	1	42	1
6	1		
13	2		
29	1		
30	2		
31	2		
32	1		
34	2		
35	2		
For AR 503			

KIT 979 "S" Remote control			
Pos.	Q.ty	Pos.	Q.ty
1	1	42	1
3	1	47	2
6	1	48	2
13	1	49	2
29	1		
30	2		
31	2		
32	1		
34	2		
39	2		
For AR 503 - AR 713 - AR 813			

KIT 985 "S" Remote control			
Pos.	Q.ty	Pos.	Q.ty
1	1	35	1
3	1	39	3
6	1	42	1
13	2	47	2
26	1		
29	1		
30	2		
31	2		
32	1		
34	1		
For AR 30 - AR 50			

KIT 984 "S" Remote control			
Pos.	Q.ty	Pos.	Q.ty
6	1	43	1
13	2	44	1
26	2	45	1
29	1	46	1
30	2		
31	2		
32	1		
34	2		
35	2		
39	3		
42	1		
For AR 503 - AR 713 - AR 813			

KIT 928 "S" Remote control			
Pos.	Q.ty	Pos.	Q.ty
1	1		
3	1		
6	1		
13	1		
29	1		
30	2		
31	2		
32	1		
42	1		
For AR 503			