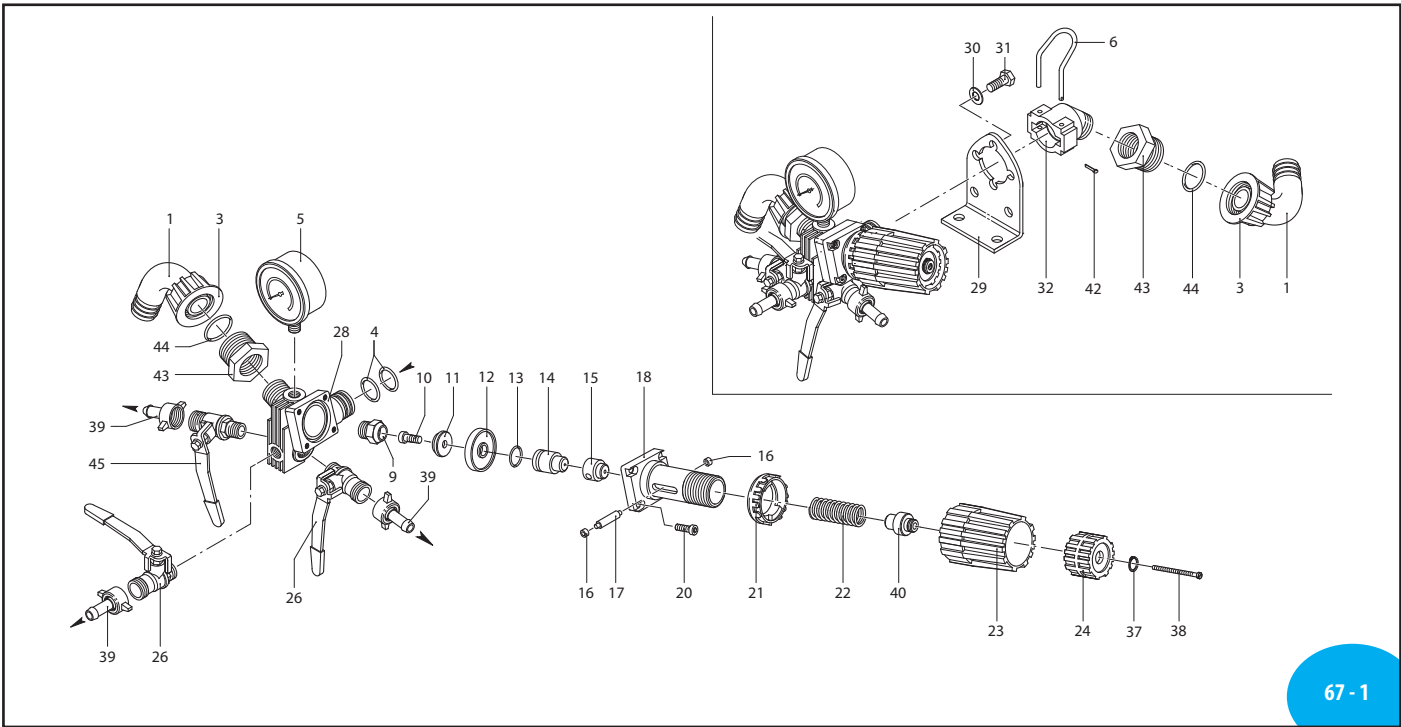


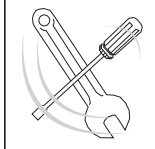
A.R. NORTH AMERICA RM 20 S



67 - 1

Pos	Code	Discription	Qty	Note
1	550370	Elbow Ø 25	2	
3	550242	Ring nut 1" G	2	
4	390180	O-ring Ø 18.72x2.62	2	
5	391240	Pressure gauge	1	0-350 PSI
6	1040690	Fork	1	
9	1150520	Seat	1	
10	680560	Screw TCEI M6x16	1	SS T90*
11	1040640	Valve	1	SS
12	1040630	Diaphragm	1	Desmopan
13	1040631	Diaphragm	1	NBR
14	880830	O-ring Ø 15.54x2.62	1	
15	1040621	Piston	1	
16	1150560	Spacer	1	
17	1150600	Ring	2	
18	1150540	Hub pin	1	
20	1150510	Body upper	1	
21	780330	Screw TCEI M6x20	4	T90*
22	1150530	Ring nut	1	
23	1150680	Spring	1	
24	1150550	Knob	1	
26	1150570	Ring nut	1	
28	130491	Ball valve 3/8" G - 1/2" G M-M DX	2	
29	1150500	Valve body	1	
30	1150590	Bracket	1	
31	390311	Washer	2	
32	180431	Screw TE M8x16	2	T180*
37	1040770	Fitting	1	
38	480550	Ring circlip Øe 12	1	
39	1150650	Screw TCTC M3x60	1	T45*
40	110131	Ring nut 1/2"	3	
42	1150660	Spacer	1	
43	1040950	Split pin	1	
44	800720	Fitting 3/4" G - 1" G F-M	2	
45	550350	O-ring Ø 23.81x2.62	2	
	130492	Ball valve 3/8" G - 1/2" G M-M SX	1	T180*

* Torque: in-lbs +/- 10%



AR 2382 O-Rings			
Pos.	Qty	Pos.	Qty
4	2		
13	1		
44	2		

AR 2383 Maintenance repair			
Pos.	Qty	Pos.	Qty
4	2	23	1
6	1	24	1
9	1	37	1
11	1	38	1
12	1	40	1
13	1	42	1
15	1	44	2
17	1		
21	1		
22	1		

Control units