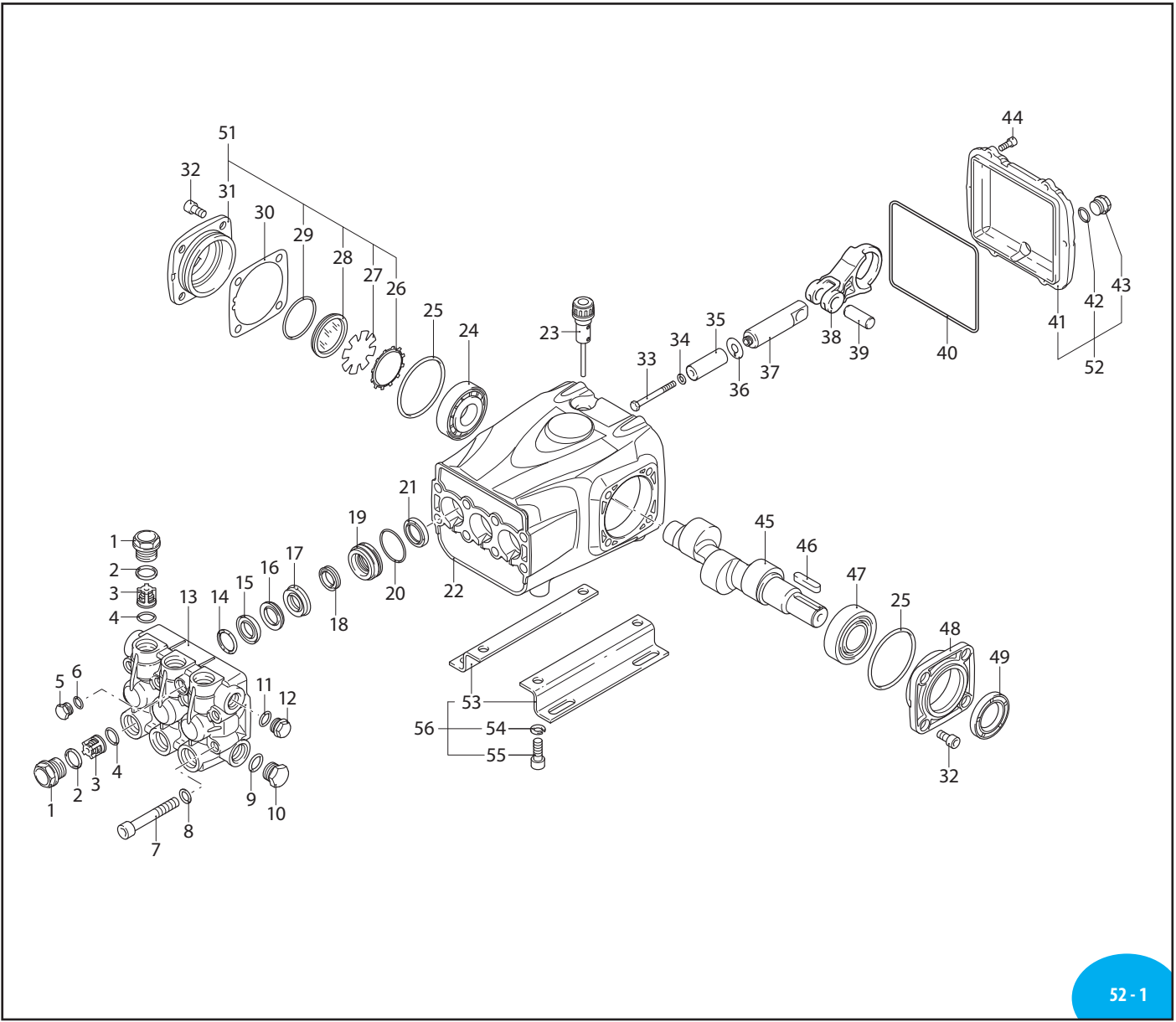
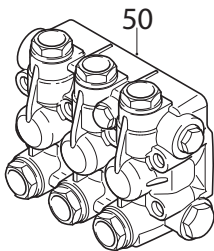


A.R. NORTH AMERICA

RG 1450 RPM



Complete Pump Head



52 - 2



RG 1450 RPM PARTS/KITS



| Pos | Code | Description | Qty | Note |
|-----|---------|-----------------------------------|-----|------|
| 1 | 4020200 | Valve Cap (480 in/lbs) | 6 | |
| 2 | 960160 | O-Ring Ø17.86x2.62 | 6 | |
| 3 | 960160 | Complete Valve | 6 | |
| 4 | 880830 | O-Ring Ø15.54x2.62 | 6 | |
| 5 | 1380690 | Plug 1/4" G, H | 1 | |
| 6 | 820510 | O-Ring Ø10.82x1.78 | 1 | |
| 7 | 820510 | Head Bolt M10x70 (468 in/lbs) | 8 | |
| 8 | 650530 | Lock Washer | 8 | |
| 9 | 180101 | O-Ring Ø17.5x2 | 1 | |
| 10 | 960870 | Plug 1/2" G, H (348 in/lbs) | 1 | |
| 11 | 740290 | O-Ring Ø14x1.78 | 1 | |
| 12 | 1981180 | Plug 3/8" G, H (216 in/lbs) | 1 | |
| 13 | 4020190 | Blank Head | 1 | |
| 14 | 960110 | Ring Ø18 | 3 | |
| 15 | 1382740 | High Pressure Seal Ø18 | 3 | |
| 16 | 2340310 | Ring Ø18 | 3 | |
| 17 | 2980070 | Front Piston Guide Ø18 | 3 | |
| 18 | 1942690 | Low Pressure Seals w/support ring | 3 | |
| 19 | 1942480 | Rear Piston Guide Ø18 | 3 | |
| 20 | 820490 | O-Ring Ø34.65x1.78 | 3 | |
| 21 | 1940560 | Oil Seal | 3 | |
| 22 | 4020010 | Pump Body | 1 | |
| 23 | 1980710 | Oil Cap (Vented Dipstick) | 1 | |
| 24 | 1140420 | Bearing | 1 | |
| 25 | 1941380 | O-Ring Ø66.34x2.62 | 2 | |
| 26 | 4020080 | Retainer Ring | 1 | |
| 27 | 4020070 | Sight Glass Diffuser | 1 | |
| 28 | 4020160 | Oil Sight Glass | 1 | |
| 29 | 3680250 | O-Ring Ø45.69x2.62 | 1 | |
| 30 | 4020100 | Shim 0.05 mm | 1-3 | |
| | 4020110 | Shim 0.10 mm | 1-3 | |
| | 4020120 | Shim 0.19 mm | 1-3 | |
| | 4020130 | Shim 0.25 mm | 1-3 | |
| 31 | 4020150 | Side Cover Non-drive side | 1 | |
| 32 | 850370 | Bolt M8x16 (216 in/lbs) | 8 | |
| 33 | 1941640 | Piston Bolt M6x60 (60 in/lbs) | 3 | |
| 34 | 1340600 | Washer Copper | 3 | |
| 35 | 1941020 | Piston Ø18 | 3 | |
| 36 | 1383190 | Washer (slinger) | 3 | |
| 37 | 1940960 | Piston Rod | 3 | |
| 38 | 2980010 | Connecting Rod | 3 | |
| 39 | 1940060 | Connecting Rod Pin | 3 | |
| 40 | 1940410 | O-Ring Ø132x3 | 1 | |
| 41 | 4020030 | Rear Cover | 1 | |
| 42 | 740290 | O-Ring Ø14x1.78 | 1 | |
| 43 | 1989600 | Plug 3/8" G w/O-ring (216 in/lbs) | 1 | |
| 44 | 1200430 | Bolt M6x16 (84 in/lbs) | 6 | |
| 45 | 2980160 | Solid Shaft 3 ID Stamp | 1 | ○ |
| | 2980250 | Solid Shaft 1 ID Stamp | 1 | ● |

| Pos | Code | Description | Qty | Note |
|-----|---------|-----------------------------------|-----|------|
| 46 | 3200230 | Key | 1 | |
| 47 | 1941370 | Bearing | 1 | |
| 48 | 4020040 | Side Cover drive side | 1 | |
| 49 | 820680 | Shaft Oil Seal (84 in/lbs) | 1 | |
| 50 | 43477 | Complete Head H | 1 | |
| 51 | 4029000 | Compete Side Cover non-drive side | 1 | |
| 52 | 4029001 | Compete Rear Cover | 1 | |
| 53 | 1940370 | Rail | 2 | |
| 54 | 200231 | Washer | 4 | |
| 55 | 1940380 | Bolt 10x18 (432 in/lbs) | 4 | |
| 56 | 2748 | Rail Kit | 1 | |

AR64516 Oil (16 oz) - Capacity 32 oz, QTY 2
 Pumps are Prefilled with Oil from the Factory.
 Change oil every 3-5 months or every 500 hours of operation.
 H = Nickel Plated
 Tightening torque (Tolerance + 0 ÷ -10%)

| OPTIONAL PARTS/KITS | | | | |
|---------------------|---------|--|-----|------|
| Pos | Code | Description | Qty | Note |
| 1 | 961440 | Tapped Valve Cap Threaded 1/4" brass (40 ft/lbs) | 1 | |
| 1 | 1381340 | Tapped Valve Cap Threaded 1/4" H (40 ft/lbs) | 1 | |
| | 1980710 | Red Shipping Plug | 1 | |

| LEGEND | | |
|--------|----------|-------------|
| Symbol | Material | Description |
| ○ | - | RG1525HN |
| ● | - | RG125HN |

| Valve Kit 2864 | |
|----------------|-----|
| Pos. | Qty |
| 3 | 6 |
| 4 | 6 |

| Piston Kit 2872 | |
|-----------------|-----|
| Pos. | Qty |
| 35 | 3 |

| Water Seal Kit 42171 | |
|----------------------|-----|
| Pos. | Qty |
| 14 | 3 |
| 15 | 3 |
| 16 | 3 |
| 18 | 3 |
| 20 | 3 |

| Oil Seal Kit 2873 | |
|-------------------|-----|
| Pos. | Qty |
| 21 | 3 |
| 25 | 2 |
| 40 | 1 |
| 49 | 1 |

| Piston Guide Kit 42172 | |
|------------------------|-----|
| Pos. | Qty |
| 17 | 3 |
| 19 | 3 |

COUNTRY OF ORIGIN: CHINA
 LAST UPDATED: APRIL 2023