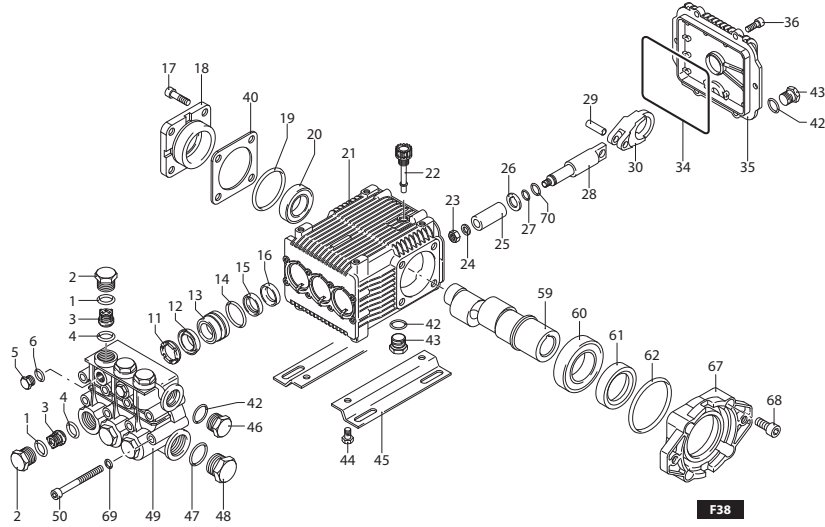


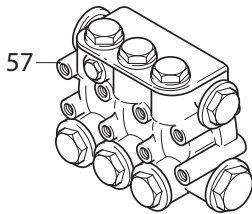
A.R. NORTH AMERICA

HYD-RK 1450 RPM



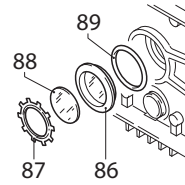
80 - 1

Complete Pump Head



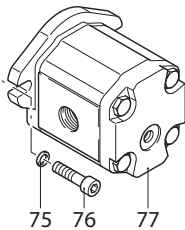
80 - 2

Rear Sight Glass



80 - 3

Motor



80 - 4



HYD-RK 1450 RPM PARTS/KITS

Pos	Code	Description	Qty	Note
1	960160	O-Ring	Ø 17.86x2.62	6
2	960090	Valve Cap	Brass (477 in/lbs)	6
3	1389051	Complete Valve		6
4	880830	O-Ring	Ø 15.54x2.62	6
5	880581	Plug	1/4" G (133 in/lbs)	2
6	820510	O-Ring	Ø 10.82x1.78	2
11	960110	Support Ring	Ø 18	3
	840320	Support Ring	Ø 22	3
12	1382740	High Pressure Seal	Ø 18	3
	840330	High Pressure Seal	Ø 22	3
13	1380090	Piston Guide	Ø 18	3
	1380160	Piston Guide	Ø 22	3
14	961240	O-Ring	Ø 31.47x1.78	3
15	880330	Low Pressure Seal	Ø 18	3
	840340	Low Pressure Seal	Ø 22	3
16	880520	Oil Seal		3
17	850370	Bolt	M8x16 (217 in/lbs)	4
18	1380050	Closed Bearing Support		1
19	640030	O-Ring	Ø 59.99x2.62	1
20	2280340	Bearing		1
21	1382770	Pump Body		1
22	880130	Oil Cap (Vented Dipstick)		1
23	962010	Nut	M8 (177 in/lbs)	3
24	962000	Washer	Ø 8.1	3
25	1380940	Ceramic Piston	Ø 18	3
	1382360	Ceramic Piston	Ø 22	3
26	1380950	Washer	(Slinger)	3
27	600180	O-Ring	Ø 7.66x1.78	3
28	1380920	Piston Rod		3
29	1380060	Connecting Rod Pin		3
30	1383050	Connecting Rod	Alum.	3
34	1780510	O-Ring	Ø 106x3	1
35	1789010	Rear Cover		1
36	1343510	Bolt	M6x14 (88 in/lbs)	6
40	1380120	Shim	0.10 mm	1-3
	1380130	Shim	0.20 mm	1-3
	1380530	Shim	0.25 mm	1-3
	1382810	Shim	0.05 mm	1-3
42	740290	O-Ring	Ø 14x1.78	3
43	1989600	Plug	3/8" G Brass w/O-ring (177 in/lbs)	2
44	1263130	Bolt	M8x12	4
45	1380141	Rail	5/8"	2
46	1989600	Plug	3/8" G Brass w/O-ring (221 in/lbs)	1
47	180101	O-Ring	Ø 17.5x2	1
48	820361	Plug	1/2" G Brass (354 in/lbs)	1
49	1381071	Blank Head	Ø 18, Brass	1
	1380020	Blank Head	Ø 22, Brass	1
50	820150	Head Bolt	M8x70 (217 in/lbs)	8

Pos	Code	Description	Qty	Note
57	1389270	Complete Pump Head	Ø 18, Brass	1
	1389216	Complete Pump Head	Ø 22, Brass	1
59	2281030	Shaft		1
60	1383150	Bearing		1
61	621170	Shaft Oil Seal		1
62	1380220	O-Ring	Ø 72.75x1.78	1
67	1383550	F38 Flange		1
68	180030	Bolt	M8x20 (217 in/lbs)	4
69	1381850	Lock Washer		8
70	1080401	Fiber Ring		3
75	900270	Washer		2
76	540300	Bolt	M10x30 (443 in/lbs)	2
77	4769	Motor		1
86	1260250	Oil Sight Glass		1
87	1260430	Retainer Ring		1
88	1780690	Sight Glass Diffuser		1
89	1140450	O-Ring	Ø 20.24x2.62	1

AR64516 Oil (16 oz) - Capacity 15 oz, QTY 1
Pumps are Prefilled with Oil from the Factory.
Change oil every 3-5 months or every 500 hours of operation.

OPTIONAL PARTS/KITS				
Pos	Code	Description	Qty	Note
	26472	HYD RK15.20 NPT Pump Only	1	
	22086	HYD RK21.15 Pump Only	1	
	42167	Oil Seal Kit for Hyd Motor	1	
	2811	Viton Water Seals Kit	Ø 22	
	2809	Viton Water Seals Kit	Ø 18	
	2729	Rail Kit 5/8"	2 Rails, 4 Bolts	Pos 44, 45
	1829	Support Ring Kit	Ø 18	Pos 11
	1816	Support Ring Kit	Ø 22	Pos 11

LEGEND				
Symbol	Material	Description	Qty	Note
○	-	HYD-RK15.20	Ø 18	
●	-	HYD-RK21.15	Ø 22	

Valve Kit 2864	
Pos.	Qty
3	6
4	6

Piston Kit 2546 (Ø18) Kit 2759 (Ø22)	
Pos.	Qty
23	3
24	3
25	3
26	3
27	3
70	3

Water Seal Kit 1857 (Ø18) Kit 1888 (Ø22)	
Pos.	Qty
12	3
14	3
15	3

Oil Seal Kit 1856	
Pos.	Qty
16	3
19	1
34	1
61	1
62	1

COUNTRY OF ORIGIN: ITALY
LAST UPDATED: APRIL 2023