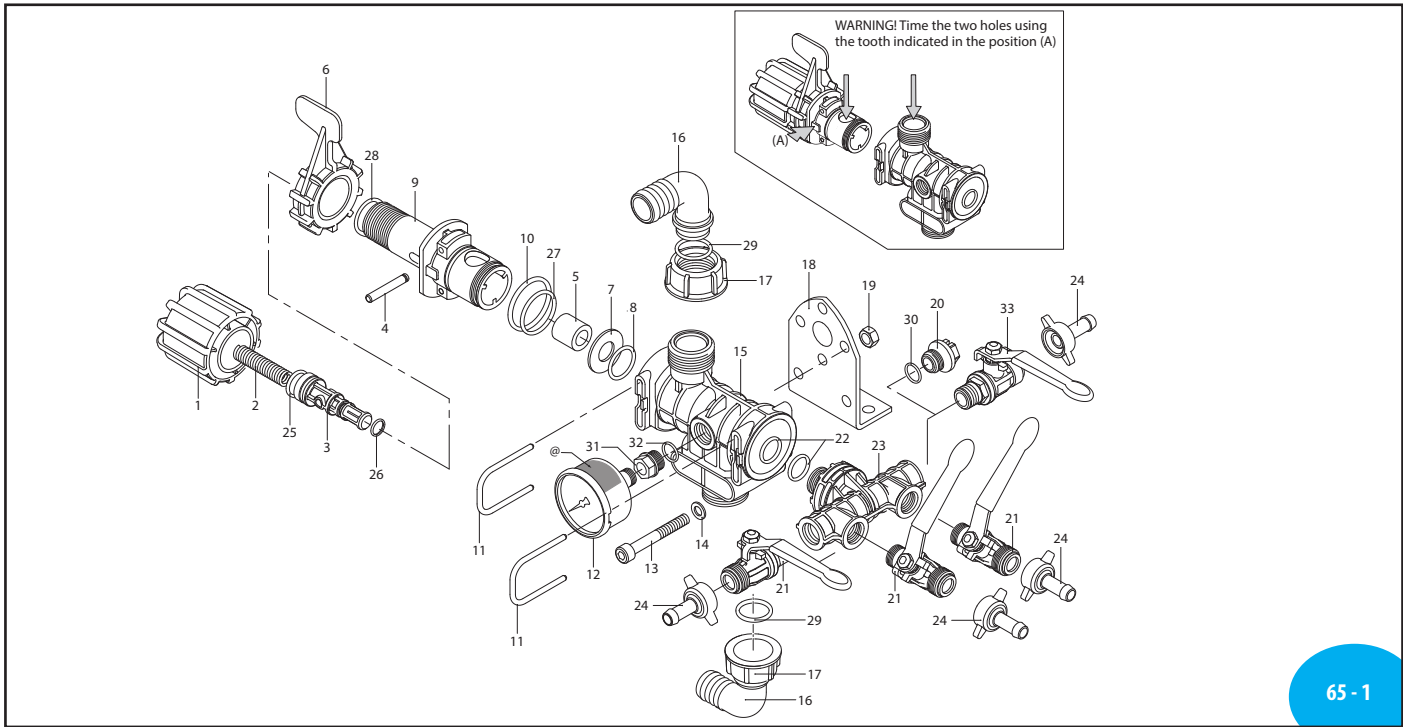


# A.R. NORTH AMERICA GS35 S



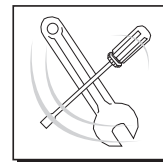
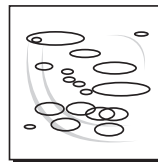
65 - 1

Pos	Code	Discription	Qty	Note
1	3240440	Knob	1	
2	3240410	Spring	1	
3	3240380	Piston upper	1	
4	1880240	Pin	1	
5	3240390	Piston lower	1	
6	1880210	Ring nut	1	
7	3240420	Plug	1	
8	720030	O-ring Ø 22.22x2.62	1	
	720031	O-ring Ø 22.22x2.62	1	Viton
9	3240360	Body regulator	1	
10	660170	O-ring Ø 31.42x2.62	1	
	660171	O-ring Ø 31.42x2.62	1	Viton
11	3460210	Fork	2	
12	3240470	Pressure gauge	1	0-725 PSI
13	280080	Screw TCEI M8x60	2	
14	380241	Washer	2	
15	3240430	Body	1	
16	3120460	Elbow Ø 25	2	
17	3120440	Ring nut 1" G	2	
18	320406	Bracket	1	
19	390270	Nut M8	2	T90*
20	3120690	Plug	1	
21	1880492	Ball valve 3/8" G - 1/2" G M-M SX	3	
22	480440	O-ring Ø 17.13x2.62	2	
	480441	O-ring Ø 17.13x2.62	2	Viton
23	3240450	Body regulator	1	
24	110131	Ring nut 1/2"	4	
25	480440	O-ring Ø 17.13x2.62	1	
	480441	O-ring Ø 17.13x2.62	1	Viton
26	391000	O-ring Ø 9.13x2.62	1	
	391001	O-ring Ø 9.13x2.62	1	Viton
27	1520650	O-ring Ø 29.82x2.62	1	
	394211	O-ring Ø 29.82x2.62	1	
28	961240	O-ring Ø 31.47x1.78	1	
29	1140450	O-ring Ø 20.24x2.62	2	
	1140451	O-ring Ø 20.24x2.62	2	Viton
30	2840890	O-ring Ø 14x2	1	
	2840891	O-ring Ø 14x2	1	Viton

Pos	Code	Discription	Qty	Note
31	1880250	Fitting	1	
32	2840890	O-ring Ø 14x2	1	
	2840891	O-ring Ø 14x2	1	Viton
33	1880491	Ball valve 3/8" G - 1/2" G M-M DX	1	

(A) Holes datum rib  
 @ Pump and manufacturer identification.  
 \* Torque: in-lbs +/- 10%

Control units



AR 42833 O-Rings			
Pos.	Qty	Pos.	Qty
8	1		
10	1		
22	2		
25	1		
26	1		
27	1		
28	1		
29	2		
30	1		

AR 42834 Maintenance repair			
Pos.	Qty	Pos.	Qty
4	1	26	1
5	1	27	1
7	1	28	1
8	1	29	2
10	1	30	1
11	2		
16	2		
17	2		
22	2		
25	1		