

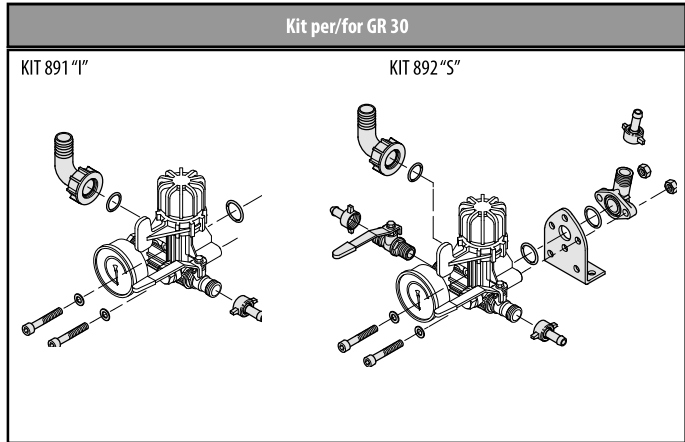
Control units

Pos	Code	Description	Qty	Note
1	1880220	Knob	1	
2	1880210	Ring nut	1	
3	1880331	Spring	1	
4	480441	O-ring	1	Viton
5	1880240	Pin	1	
6	1889201	Valve spool	1	
7	1880260	O-ring	1	Ø 15.08x2.62
8	1880200	Valve body	1	
9	1880340	Pressure gauge	1	Ø50 0-725 PSI T90*
10	1880250	Fitting	1	T90*
11	550331	Washer	2	Z/B
12	801080	Bolt	2	TCEI M6x50
13	1880491	Ball valve	1	3/8" G - 1/2" GM-M DX
14	110131	Ring nut / HB	3	1/2" x 3/8"
15	110130	Ring nut / HB	3	1/2" x 1/2" Optional
16	740290	O-ring	3	Ø 14x1.78
17	2841240	Plug	2	3/8" G plastic T90*
18	880830	O-ring	1	Ø 15.54x2.62
19	550460	Elbow	1	Ø 18
20	550450	Ring nut	1	3/4" G
21	1140450	O-ring	1	Ø 20.24x2.62
22	1880310	Bolt	2	TCEI M8x65
23	450145	Flange	1	
24	550350	O-ring	1	Ø 23.81x2.62
25	320406	Bracket	1	
26	390311	Washer	2	
27	110130	Ring nut	1	1/2"
28	1880492	Ball valve	1	3/8" G - 1/2" GM-M SX T90*
29	390270	Nut	2	M8

o Not part of GR 30

* Torque: in-lbs +/- 10%

AR 2411 Maintenance repair					
Pos.	Qty	Pos.	Qty	Pos.	Qty
1	1	6	1	19	1
2	1	7	1	20	1
3	1	15	3	23	1
4	1	17	1		
5	1	18	1		



Build-in control unit and remote control							
AR 891 "I" Build in control				AR 892 "S" Remote control			
Pos.	Qty	Pos.	Qty	Pos.	Qty	Pos.	Qty
11	2			14	3	27	1
12	2			17	1	28	2
14	1			18	1		
17	1			19	1		
18	1			20	1		
19	1			21	2		
20	1			22	1		
				23	1		
				24	1		
				25	2		
				26	1		

For AR 252