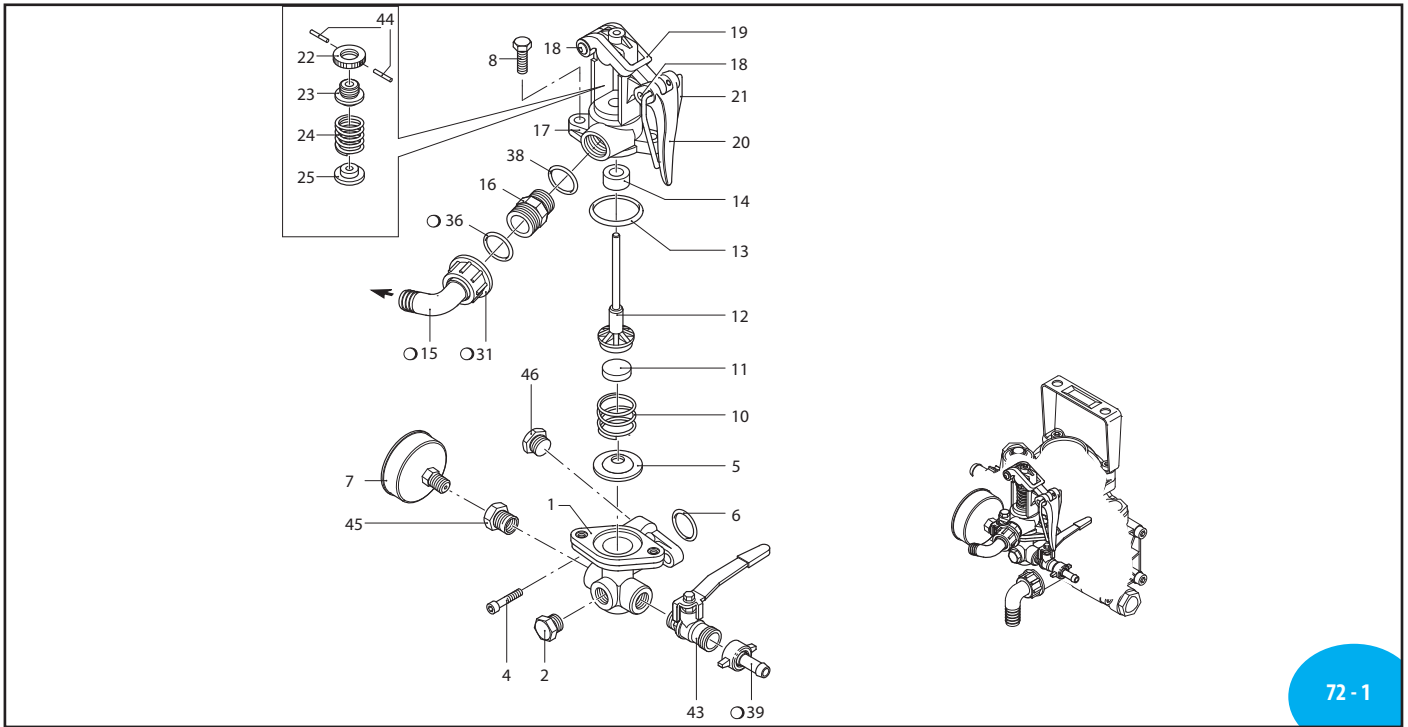


# A.R. NORTH AMERICA

## GI 30



Control units

Pos	Code	Discription	Qty	Note
1	620220	Control unit	1	
2	130171	Plug 3/8" G	1	T180*
4	780060	Screw TCEI M6x25	2	T180*
5	450110	Seat	1	
6	550350	O-ring Ø 23.81X2.62	2	
7	1880340	Pressure gauge	1	0-725 PSI
8	180370	Screw TE M8x25	2	T180*
10	320420	Spring	1	
11	110121	Plug	1	Desmopan
	110120	Plug	1	Buna
	110122	Plug	1	Viton
12	320433	Stem	1	
13	320511	O-ring Ø 37.8x4	1	
14	390140	Gasket	1	
	390141	Gasket	1	Viton
15	550460	Elbow Ø 18	1	
16	550440	Fitting 1/2" G - 3/4 G M-M	1	
17	320410	Body valve	1	
18	320480	Hub pin	2	
19	320460	Fork	1	
20	320470	Lever	1	
21	320490	Support	1	
22	320451	Wobble plate	1	
23	320440	Ring nut	1	
24	110190	Spring	1	
25	230120	Wobble plate	1	
31	550450	Ring nut 3/4" G	1	
36	880830	O-ring Ø 15.54x2.62	1	
38	180101	O-ring Ø 17.5x2	1	
39	110131	Ring nut 1/2"	1	
43	130492	Ball valve 3/8" G - 1/2" G M-M SX	1	
44	1080360	Screw M3x4	2	
45	1880250	Fitting	1	
46	880581	Plug 1/4" G	1	

o Not part of GI 30

\* Torque: in-lbs +/- 10%

**Kit for GI 30**

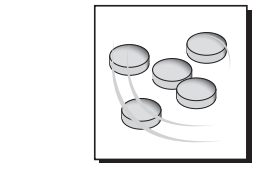
KIT 973 "I"

**Build-in control unit and remote cotrol**

**AR 973 "I"**  
Build in control

Pos.	Qty	Pos.	Qty
15	1		
39	3		

For AR 252



<b>AR 1921</b> Buna valve seats		<b>AR 1922</b> Desmopan valve seats	
Pos.	Qty	Pos.	Qty
11	5	11	5

**AR 1925**  
Maintenance repair

Pos.	Qty	Pos.	Qty
5	1		
10	1		
11	1		
12	1		
13	1		
14	1		