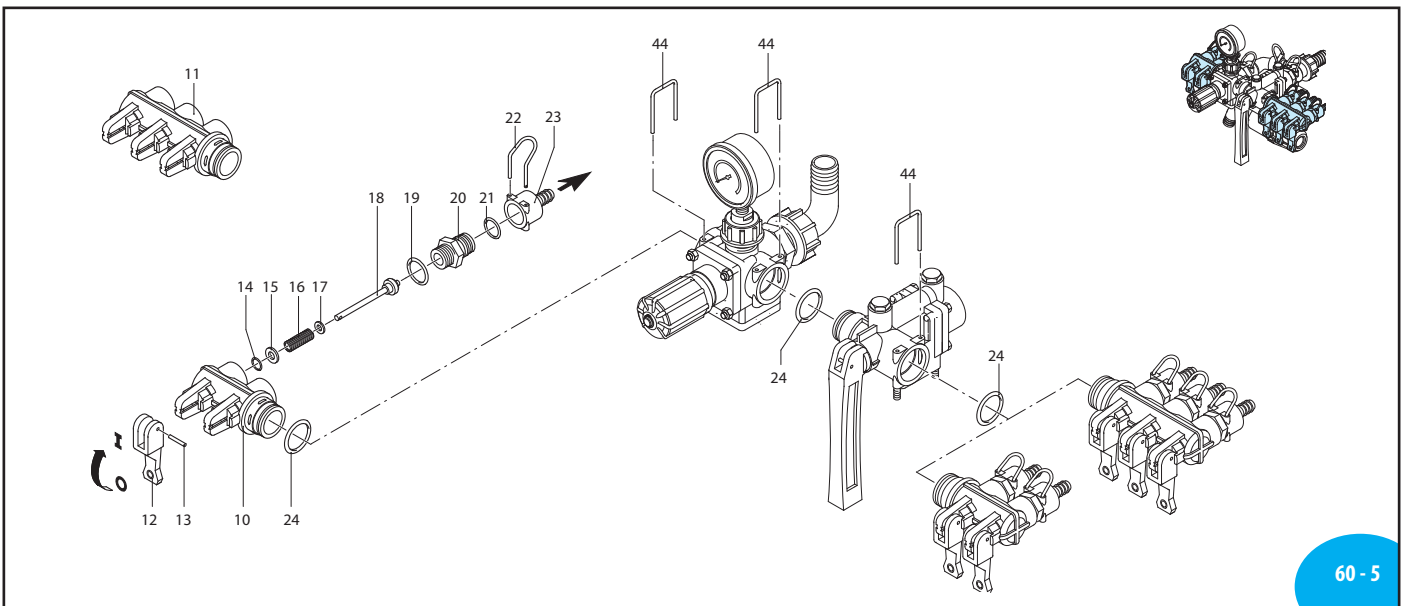
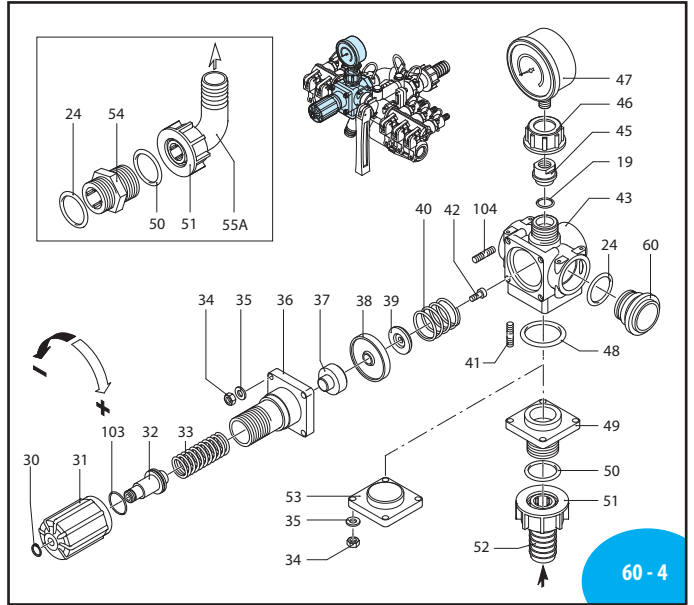
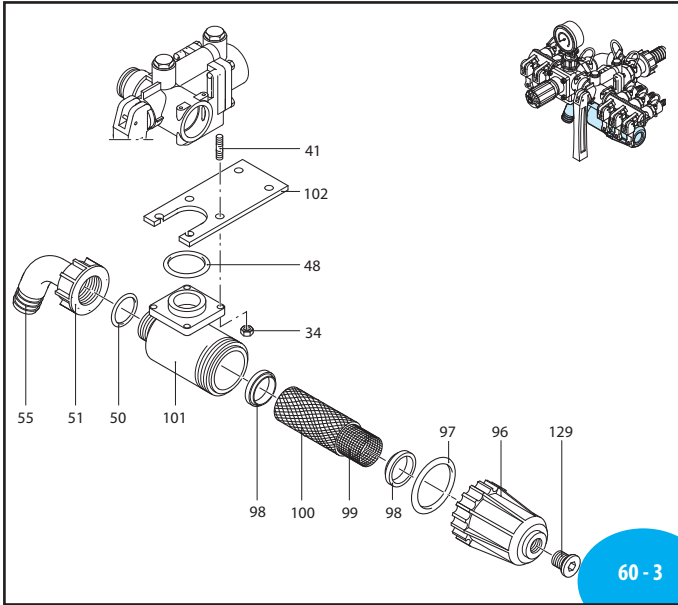
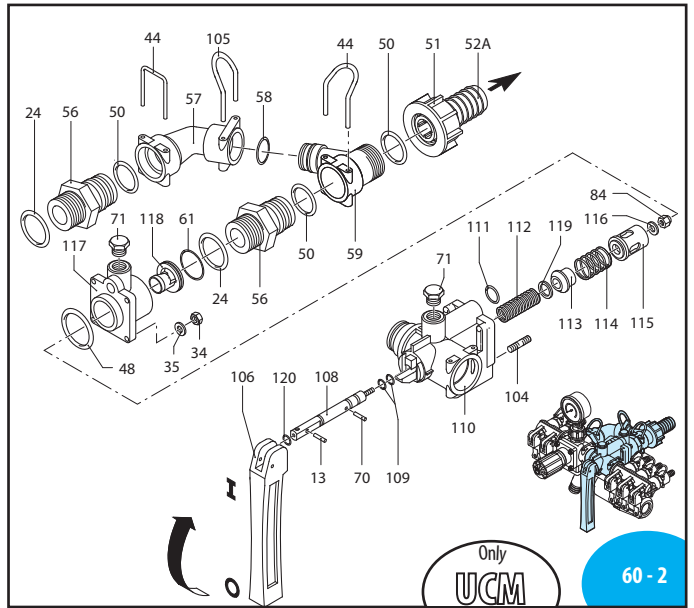
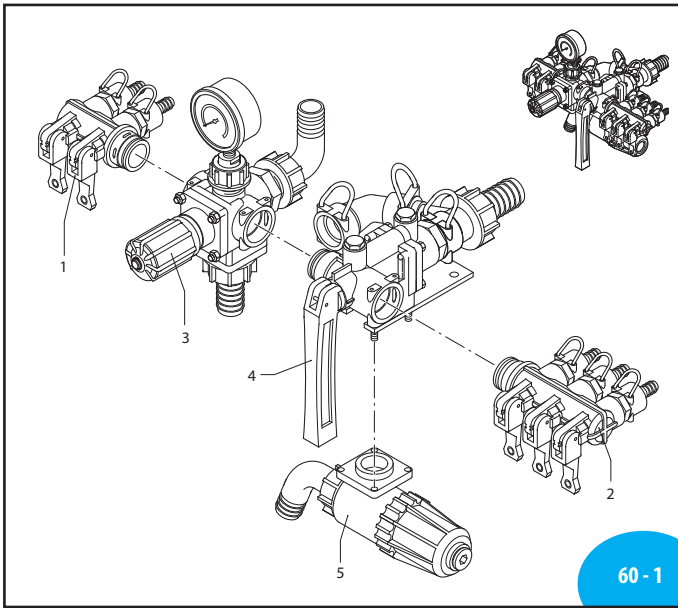


A.R. NORTH AMERICA ECM - UCM



ECM - UCM

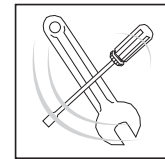
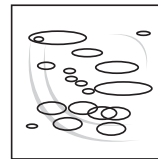
Pos	Code	Discription	Qty	Note
1	1547	Ball valve assembly	1	Outlet ø 12
	1548	Ball valve assembly	1	Outlet ø 12
2	1571	Ball valve assembly	1	Outlet ø 12
	1572	Ball valve assembly	1	Outlet ø 12
3	1348	Valve kit adjustment	1	
	1349	Valve kit adjustment	1	
4	1351	Body distributor	1	
5	1553	Filter kit	1	
10	394850	Body tap	1	
11	394860	Body tap	1	
12	394690	Lever	4	
13	390330	Pin	5	
14	390341	O-ring ø 5x2	4	☒
15	393790	Washer	4	SS ☒
16	390300	Spring	4	☒
17	390313	Washer	4	SS ☒
18	390323	Pin	4	☒
19	180101	O-ring ø 17.5x2	5	☒
20	392600	Fitting	4	☒
21	640070	O-ring ø 13.95x2.62	4	☒
22	392580	Fork	4	
23	392870	Hose tail ø 10	4	
	392590	Hose tail ø 12	4	
	392620	Hose tail ø 19	4	
24	390291	O-ring ø 28.25x2.62	5	☒
30	480550	Ring circlip øe 12	1	
31	394790	Knob	1	
32	394770	Hub pin	1	
33	1040830	Spring	1	☒
34	390440	Nut M6	16	T90*
35	550331	Washer	12	
36	394780	Body upper	1	
37	394751	Piston	1	
38	394741	Diaphragm	1	NBR
	394740	Diaphragm	1	Desmopan
	394742	Diaphragm	1	Viton
39	394720	Valve	1	
40	394730	Spring	1	
41	394830	Stud	8	C6
42	680700	Screw TCEI M6x20	1	SS ⚙
43	394700	Valve body	1	
44	395530	Fork	5	
45	394800	Fitting	1	
46	550450	Ring nut 3/4" G	1	
47	391240	Pressure gauge	1	0-350 PSI ⚙
48	660170	O-ring ø 31.42x2.62	3	☒
49	394810	Flange	1	
50	550350	O-ring ø 23.81x2.62	4	☒
51	550242	Ring nut 1" G	2	
52	550210	Pipe ø 25	2	
53	394840	Flange	1	
54	550340	Fitting 1" G M-M	1	
55	550370	Elbow ø 25	1	
56	395000	Fitting	2	
57	395520	Suction fitting	1	
58	390060	O-ring ø 20.63x2.62	1	
59	395020	Suction fitting	1	
60	394870	Plug	1	
61	770260	O-ring ø 23.52x1.78	1	
70	392120	Pin	1	SS
71	880581	Plug 1/4" G	2	T25*
84	395390	Nut M6	1	SS T90*
96	396100	Cover	1	
97	395081	O-ring ø 47.30x2.62	1	Viton ☒
98	395071	Gasket	2	
99	396110	Filter	1	
100	396130	External grid	1	
101	395030	Filter housing	1	
102	394820	Bracket	1	
103	770130	O-ring ø 20.35x1.78	1	☒
104	392330	Stud	8	T90*

Pos	Code	Discription	Qty	Note
105	850730	Fork	1	
106	1660560	Lever	1	
108	1660020	Pin	1	
109	480561	O-ring ø 6.75x1.78	2	Viton ☒
110	1660010	Valve body	1	
111	1660230	O-ring ø 13x2	1	
112	1660541	Spring	1	
113	1660050	Valve	1	
114	1660090	Spring	1	
115	1660080	Guide	1	
116	393790	Washer	1	SS
117	1660060	Flange	1	
118	1660100	Seat	1	See ●
	1660110	Seat	1	See ▲
	1660120	Seat	1	See ■
119	1660140	Washer	1	
120	1660551	O-ring ø 7x2	1	Viton
129	396590	Plug 3/8" G	1	⚙

Note: The quantities refer to the 4 valves version

- For: AR 70 bp-AR 80bp-AR120/140bp
- ▲ For: AR 115-135 bp - AR 125-145 bp
- For: AR 160 bp
- For: AR 60 bp
- ▲ For: AR 100 bp - AR 120 bp
- For: AR 150 bp

* Torque: in-lbs +/- 10%



AR 2346 O-Rings			
Pos.	Qty	Pos.	Qty
14	5	109	2
19	7	111	1
21	5	120	1
24	5		
48	3		
50	4		
58	1		
61	1		
97	1		
103	1		

AR 2339 Maintenance repair			
Pos.	Qty	Pos.	Qty
12	2	60	1
14	5	61	1
18	2	98	2
24	5	106	1
38	1	109	2
39	1	113	1
44	1	115	1
51	1	120	1
55	1		
58	1		

Control units