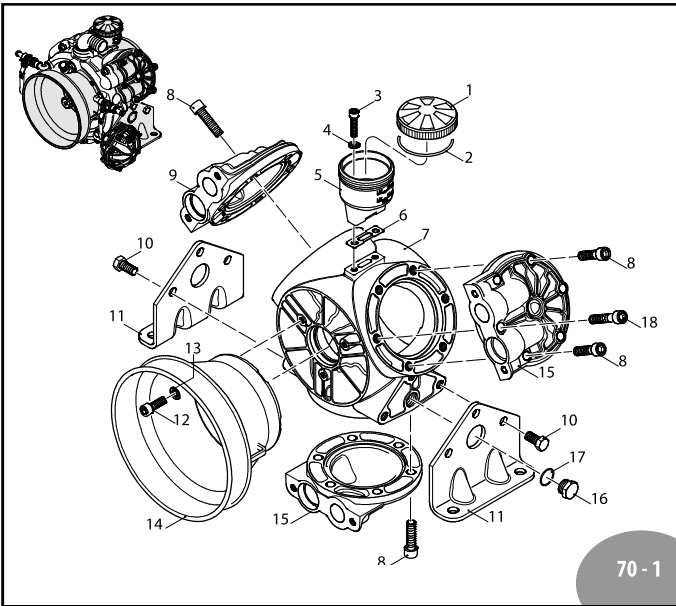
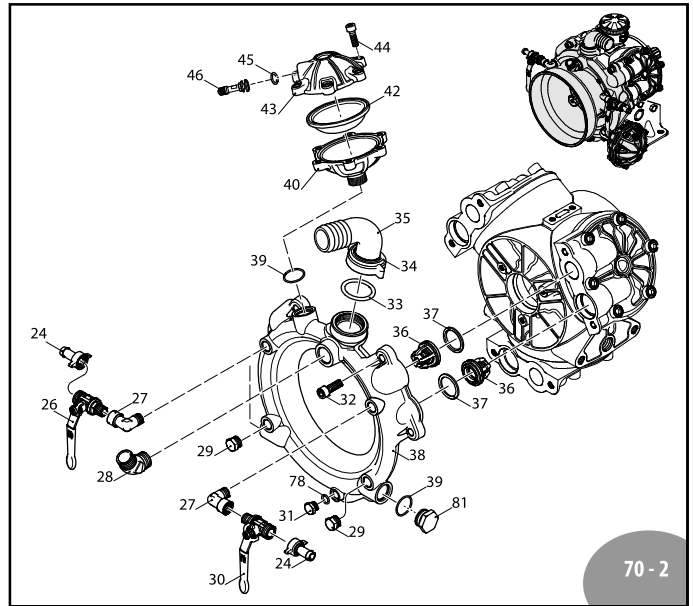


A.R. NORTH AMERICA

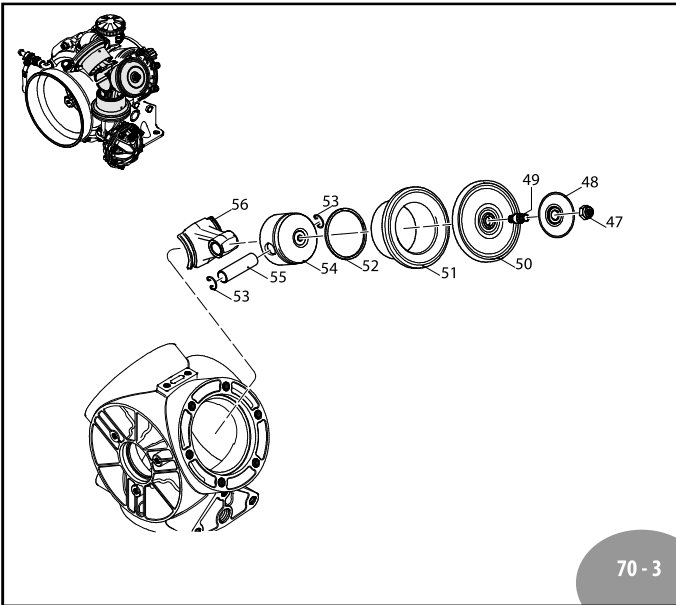
BHS 90 - BHS 105 - BHS 120



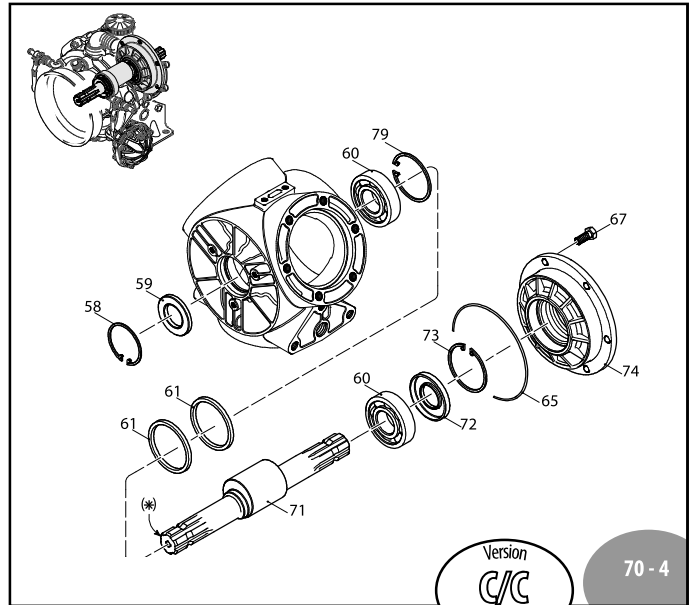
70 - 1



70 - 2



70 - 3



70 - 4



BHS 90 - BHS 105 - BHS 120

	C/C
BHS90	31768
BHS105	31769
BHS120	31770

Pos	Code	Description	Qty	Note
1	750051	Plug green	1	BHS 90
	1800060	Plug black	1	BHS 105
	750050	Plug red	1	BHS 120
2	1040060	O-ring Ø 72.69x2.62	1	
3	680350	Bolt TCEI M8x35	2	T180*
4	380241	Washer	2	
5	750030	Oil sight glass	1	
6	750040	Gasket	1	<input checked="" type="checkbox"/>
7	2660010	Pump body	1	
8	2660050	Bolt TCEI M12x45	15	T445*
9	2660031	Head marked SX	1	
10	540210	Bolt TE M12x25	6	T445*
11	2680100	Base	2	
12	850250	Bolt TCEI M8x12	7	T180*
13	390311	Washer	3	
14	1500470	Shield	1	
15	2660030	Head marked DX	2	
16	820361	Plug 1/2" G brass	2	T180*
17	180101	O-ring Ø 17.5x2	2	
18	2660040	Bolt TCEI M12x60	3	T445*
24	110131	Ring nut 1/2"	2	
25	2660060	Fitting	1	
26	130492	Ball valve 3/8" G - 1/2" G M-M SX	1	
27	2240260	Fitting 3/8" G M-F	2	
28	851650	Elbow manifold	1	
29	880530	Plug 3/8" G	2	T180*
30	130491	Ball valve 3/8" G - 1/2" G M-M DX	1	
31	880581	Plug 1/4" G	1	T180*
32	540300	Bolt TCEI M10x30	6	T355*
33	390210	O-ring Ø 39.69x3.53	1	
34	2240200	Ring nut 1" 3/4 G	1	
35	2240211	Elbow 1 1/2"	1	
36	759051	Valve	6	
37	680070	O-ring Ø 31.5x4.25	6	
38	2660021	Manifold asp./manifold	1	
39	720030	O-ring Ø 22.22x2.62	2	
40	2660070	Semi air chamber lower	1	
42	800190	Semi air chamber lower	1	
43	2660080	Semi air chamber upper	1	
44	540290	Bolt TCEI M8x25	8	T180*
45	650542	Gasket	1	
46	180020	Air valve	1	
47	2240110	Nut M10	3	SST265*
48	580090	Retaining washer	3	
49	2240100	Hub pin	3	T265*
51	550080	Diaphragm	3	NBR
	550084	Diaphragm	3	Viton
	550085	Diaphragm	3	Desmopan
	550086	Diaphragm	3	HPDS

Pos	Code	Description	Qty	Note
51	2680060	Sleeve	3	BHS 90
	2680070	Sleeve	3	BHS 105
	2680080	Sleeve	3	BHS 120
52	260230	Piston ring	3	
53	160691	Ring circlip Øi 18	6	
54	2240060	Piston Ø 72	3	
55	260700	Pin	3	
56	2680090	Connecting-rod	3	
57	2680130	Ring seal	1	
58	200390	Ring circlip Øi 62	1	
59	2680110	Ring seal	1	
60	230350	Bearing	1	
61	2240540	Ring connecting rod	2	
62	2680250	Shaft C/SP m-Cl	1	BHS 90
	2680260	Shaft C/SP m-CL	1	BHS 105
	2680270	Shaft C/SP m-CM	1	BHS 120
63	2680290	Ring circlip Øe 65	1	
64	2680280	Bearing	1	
65	1400120	O-ring Ø 145.72x2.62	2	
66	2680241	Flange	1	
67	160670	Bolt TE M10x25	6	T355*
68	1400150	Ring seal	1	
69	1400110	Ring	1	
70	1400140	Flange	1	
71	2680170	Shaft C/C m-CA	1	BHS 90
	2680180	Shaft C/C m-CB	1	BHS 105
	2680190	Shaft C/C m-CC	1	BHS 120
72	2680120	Ring seal	1	
73	161050	Ring circlip Øi 72	1	
74	2680022	Flange	1	
76	230310	Bearing	1	
77	2680023	Flange	1	
78	820510	O-ring Ø 10.82x1.78	1	
79	230340	Ring circlip Øi 80	1	
81	1140300	Plug 3/4" G	1	T355*
82	1554	Air chamber	1	

* Torque: in-lbs +/- 10%

High pressure brass

AR 43314 Buna diaphragms	
AR 43317 BlueFlex™ diaphragms	
AR 43315 Desmopan diaphragms	
AR 43316 Viton diaphragms	
Pos.	Qty
37	6
42	1
50	3

AR 2445 Valves	
Pos.	Qty
36	6
37	6

AR 42205 O-Rings	
Pos.	Qty
2	1
17	3
21	1
33	1
37	6
39	1
65	2
78	1

Suggested oil	
Type	Oz
AR64532D	32
Crankcase Oil Capacity 52 oz	