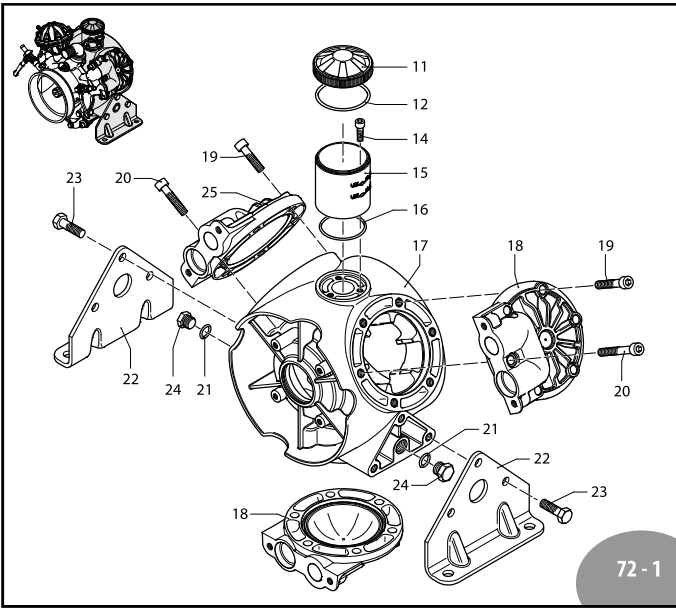
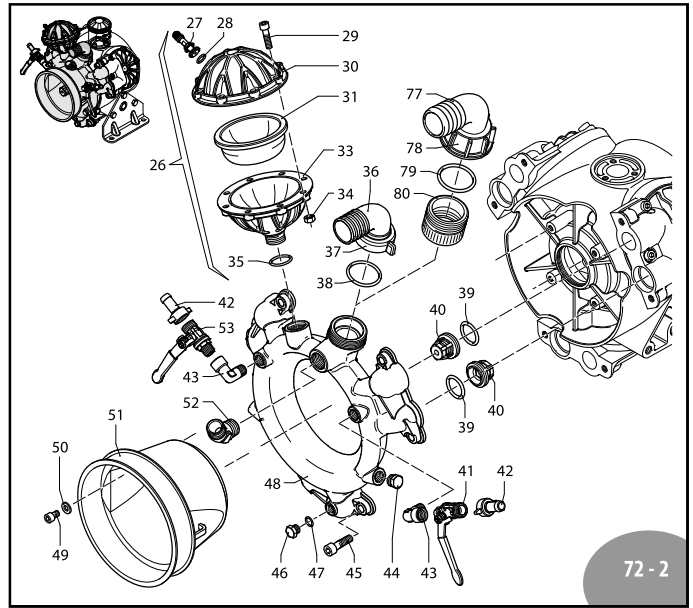


A.R. NORTH AMERICA

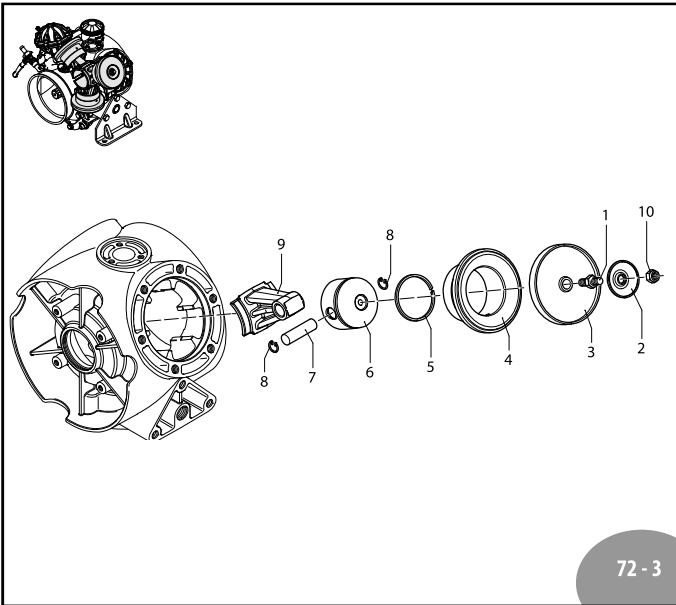
BHS 130 - BHS 150



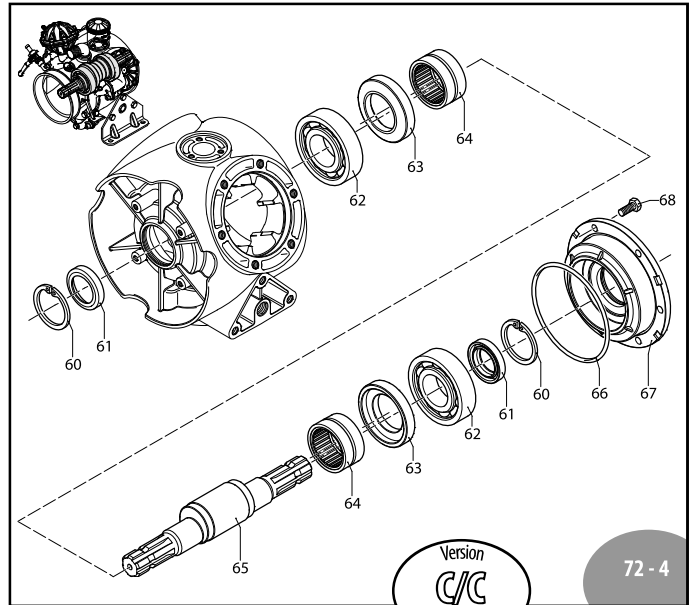
72 - 1



72 - 2



72 - 3



72 - 4



BHS 130 - BHS 150

	C/C
BHS130	31771
BHS150	31772

Pos	Code	Description	Qty	Note
1	2240100	Hub pin	3	T265*
2	580090	Retaining washer	3	
3	2240080	Diaphragm	3	NBR
	2240085	Diaphragm	3	Desmopan
	2240081	Diaphragm	3	BlueFlex™
4	2240560	Sleeve	3	BHS 130
	2240520	Sleeve	3	BHS 150
5	2240570	Piston ring	3	BHS 130
	2240360	Piston ring	3	BHS 150
6	2240550	Piston Ø 76	3	BHS 130
	2240350	Piston Ø 82	3	BHS 150
7	2240580	Pin	3	BHS 130
	540070	Pin	3	BHS 150
8	160691	Ring circlip Ø1 18	6	
9	2240090	Connecting-rod	3	
10	2240110	Nut M10	3	SS T265*
11	1800060	Plug black	1	BHS 130
	750050	Plug red	1	BHS 150
12	1040060	O-ring Ø 72.69x2.62	1	
14	540290	Bolt TCEI M8x25	3	T90*
15	2240070	Oil sight glass	1	
16	2240270	O-ring Ø 67.95x2.62	1	
17	2240011	Pump body	1	
18	2240030	Head marked DX	2	
19	2240180	Bolt TE M12x50	15	T445*
20	2240220	Bolt TE M12x65	3	T445*
21	180101	O-ring Ø 17.5x2	2	
22	2240190	Base	2	
23	540100	Bolt TE M12x40	6	T445*
24	820361	Plug 1/2" G brass	2	T180*
25	2240031	Head marked SX	1	
26	1529	Air chamber	1	
27	180020	Air valve	1	T35*
28	650542	Gasket	1	
29	680350	Bolt TCEI M8x35	8	T180*
30	2240300	Semi air chamber upper	1	
31	550190	Semi air chamber	1	NBR
	550194	Air chamber	1	BlueFlex™
33	2240310	Semi air chamber lower	1	
34	380240	Nut M8	8	T180*
35	720030	O-ring Ø 22.22x2.62	1	
36	2240211	Elbow Ø 40	1	
37	2240200	Ring nut 1" 3/4 G	1	
38	390210	O-ring Ø 39.69x3.53	1	
39	680070	O-ring Ø 31.5x4.25	6	
40	759051	Valve	6	
41	130491	Ball valve 3/8" G - 1/2" G M-MDX	1	T180*
42	110130	Ring nut 1/2"	2	
43	2240260	Fitting 3/8" G M-F	2	
44	880530	Plug 3/8" G	1	T180*

Pos	Code	Description	Qty	Note
45	650330	Bolt TCEI M10x35	6	T355*
46	880581	Plug 1/4" G	1	T180*
47	820510	O-ring Ø 10.82x1.78	1	
48	2240040	Manifold asp./manifold	1	
49	850250	Bolt TCEI M8x12	4	T90*
50	390311	Washer	4	
51	1500470	Shield	1	
52	851650	Elbow manifold	1	
53	130492	Ball valve 3/8" G - 1/2" G M-M SX	1	T180*
60	2240160	Ring circlip Ø1 62	2	
61	2240150	Ring seal	2	
62	2240430	Bearing	2	
63	2240121	Ring connecting rod	2	
64	850320	Bearing	2	
65	2240173	Shaft C/C m-BE	1	
66	2240290	O-ring Ø 152.7x2.62	1	
67	2240020	Flange	1	
68	160670	Bolt TE M10x25	6	T355*
71	2240390	Ring connecting rod	1	
72	2240400	Retaining washer	1	
73	2240440	Bearing	1	
74	1800090	Ring seal	1	
75	620330	Ring circlip Ø1 65	1	
76	2240610	Flange	1	ø 32
	2240370	Flange	1	ø 1" 3/8
77	760020	Elbow 2"	1	Optional
78	760040	Ring nut 2" G	1	Optional
79	620210	O-ring Ø 40.95x2.62	1	Optional
80	2380080	Fitting 2" G - 1" 3/4 G M-F	1	Optional

* Torque: in-lbs +/- 10%

High pressure brass

AR 43318 Buna diaphragms	
AR 43320 BlueFlex™ diaphragms	
AR 43319 Desmopan diaphragms	
Pos.	Qty
3	3
31	1
39	6

AR 2445 Valves	
Pos.	Qty
39	6
40	6

AR 2446 O-Rings	
Pos.	Qty
12	1
16	1
21	2
35	1
38	1
39	6
47	1
57	1
66	1

Suggested oil	
Tipo - Type	Oz
AR64532D	32

Crankcase Oil
Capacity 89 oz