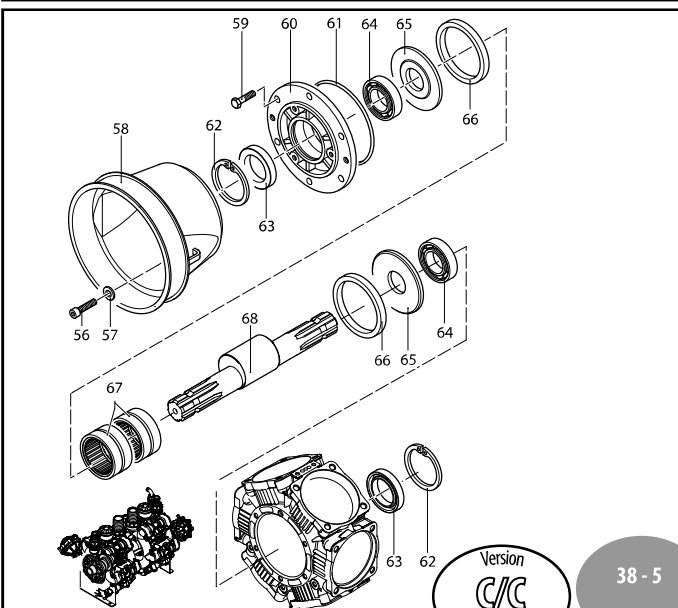
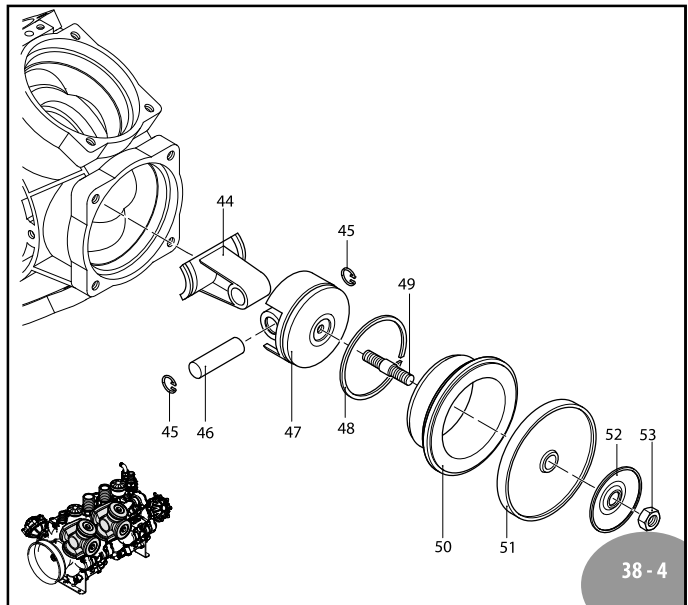
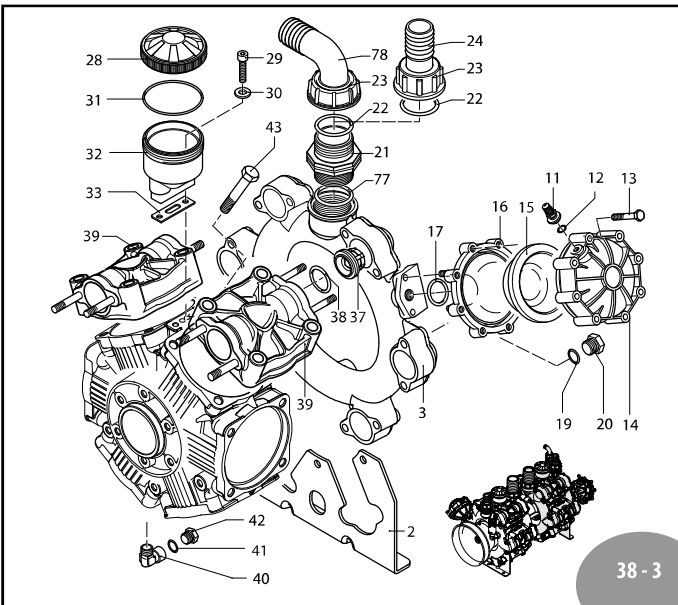
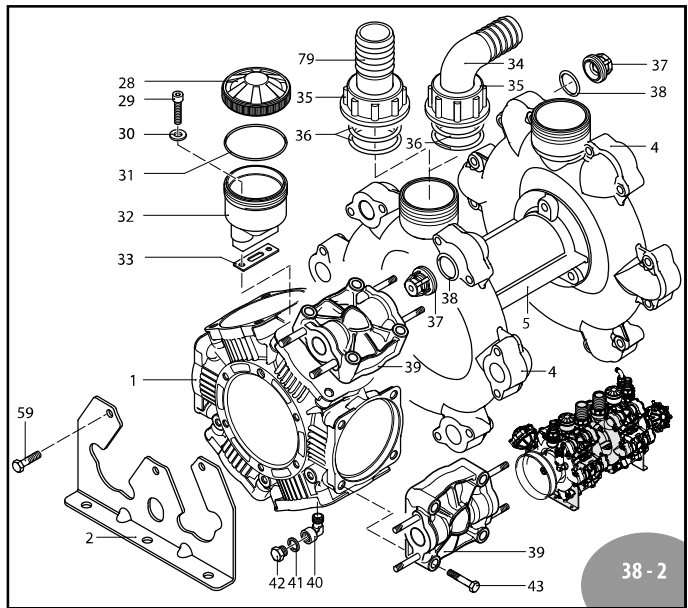
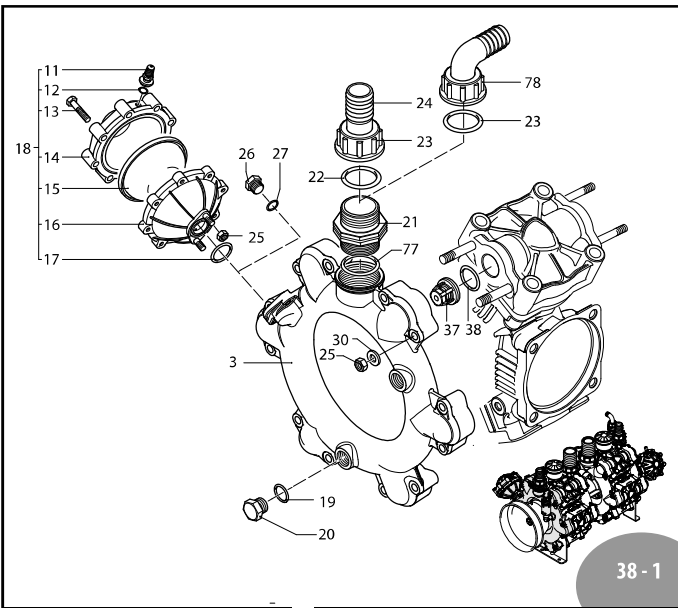


AR 500 bp TWIN TOP - AR 560 bp TWIN TOP



AR 500 bp TWIN TOP - AR 560 bp TWIN TOP

	C/C
AR500bp	31725
AR560bp	31726

Low pressure

Pos	Code	Description	Qty	Note
1	751300	Pump body	2	
2	751290	Base	2	
3	751080	Manifold manifold	2	
4	751070	Manifold suction	2	
5	751320	Flange	1	
11	180020	Air valve	2	T25*
12	650542	Gasket	2	
13	621781	Bolt TE M8x40	16	Geomet
	621782	Bolt TE M8x40	16	SS
14	620232	Semi air chamber upper	2	Black
	550190	Semi air chamber	2	NBR
	550191	Semi air chamber	2	Saturflon
	550192	Semi air chamber	2	Viton
	550193	Semi air chamber	2	H.P.D.S.
	550194	Air chamber	2	BlueFlex™
16	680180	Air chamber lower	2	
17	390290	O-ring Ø 29x3	2	
18	1552	Air chamber complete	2	
19	180101	O-ring Ø 17.5x2	2	
20	330173	Plug 1/2" G	2	Geomet T180*
	330174	Plug 1/2" G	2	SS T180*
21	751130	Fitting 1"1/2 G M-M	2	
22	390290	O-ring Ø 29x3	4	
23	750670	Ring nut 1 1/2" G	2	
24	760940	Hose barb Ø 35	2	
25	380242	Nut M8	52	Geomet
	380244	Nut M8	52	SS
26	880530	Plug 3/8" G	2	
	2340350	Plug 3/8" G	2	SS
27	740290	O-ring Ø 14x1.78	2	
28	750050	Plug red	2	AR560bp
	1800060	Plug black	2	AR500bp
29	680350	Bolt TCEI M8x35	4	T90*
30	380243	Washer	56	Geomet
31	1040060	O-ring Ø 72.69x2.62	2	
32	750030	Oil sight glass	2	
33	750040	Gasket	2	
34	750850	Elbow 2"	2	AR500bp
35	750710	Ring nut 2" 1/2 G	2	
36	750740	O-ring Ø 56.74x3.53	4	
37	759051	Valve	24	
38	680070	O-ring Ø 31.5x4.25	24	
39	751350	Head	12	
	751352	Head	12	SS
40	750370	Fitting 1/4" G M-F	2	
41	880820	Washer	2	
42	880581	Plug 1/4" G	2	
43	750061	Bolt TE M12x65	48	Geomet T445*
	750062	Bolt TE M12x65	48	SS T445*
44	750140	Connecting-rod	12	
45	160691	Ring circlip Øi 18	24	
46	160700	Pin	12	

Pos	Code	Description	Qty	Note
47	750122	Piston Ø80	12	
48	500260	Piston ring	12	
49	2240100	Hub pin	12	(a) T310*
50	750115	Sleeve	12	
	750110	Sleeve	12	
	550080	Diaphragm	12	NBR (b)
	550084	Diaphragm	12	Viton
	550085	Diaphragm	12	Desmopan
	550086	Diaphragm	12	HPDS
	550081	Diaphragm	12	BlueFlex™
52	751250	Retaining washer	12	
53	2240110	Nut M10	12	SS T265*
56	850251	Bolt TCEI M8x12	6	Geomet
	850252	Bolt TCEI M8x12	6	SS
57	390314	Washer	55	Geomet
	390315	Washer	65	SS
58	1500470	Shield	2	
59	160672	Bolt TE M10x25	18	Geomet T355*
	160673	Bolt TE M10x25	18	SS T355*
60	680020	Support	2	
61	851360	O-ring Ø 120.32x2.62	2	
62	200390	Ring circlip Øi 62	3	
63	160740	Ring seal	3	
64	751280	Bearing	3	
65	540040	Retaining washer	4	
66	750130	Ring connecting rod	4	
67	750090	Bearing	4	
68	750170	Shaft marked AU	1	
	750174	Shaft marked AV	2	
69	760530	Shaft marked BT	1	
	760520	Shaft marked BS	1	
70	650640	Bolt TCEI M10x25	9	Geomet T355*
	650642	Bolt TCEI M10x25	9	SS T355*
71	2420181	Support	1	
72	1800090	Ring seal	1	
73	230310	Bearing	1	
74	760510	Retaining washer	1	
75	751410	Coupling 1"3/8 (F) Z=6 30°	1	Marked 6 (c)
76	800750	Bolt M8x8	1	T90*
77	751140	O-ring Ø 47.22x3.53	2	
78	751200	Elbow 1 1/4"	2	
79	750870	Hose barb 2"	2	AR 500 bp
80	620321	Bolt TE M10x30	6	Geomet T310*
	620322	Bolt TE M10x30	6	SS T310*
81	620330	Ring circlip Øi 65	2	

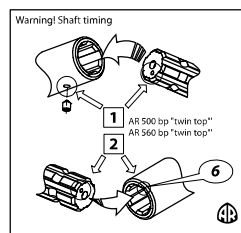
* Torque: in-lbs +/- 10%

AR 43268 Buna diaphragms	
AR 43270 Viton diaphragms	
AR 43269 Desmopan diaphragms	
AR 43271 BlueFlex™ diaphragms	
Pos.	Qty
15	2
38	24
51	12

AR 2114 (Qty 2) Valves		
Pos.	Qty	
37	12	
38	12	

AR 42513 (Qty 2) O-Rings		
Pos.	Qty	
8	2	
17	2	
19	1	
27	1	
31	1	
36	2	
38	12	
61	1	
77	1	

Suggested Oil	
Type	Oz
AR64532D	32
Crankcase Oil Capacity 154 oz	



- (a) Bolt with Loctite 242 piston side.
 (b) **ATTENTION!** Assemble with grease. between the Retaining washer and the diaphragm.
 (c) **ATTENTION!** Before coupling spray D-321R on the outside of the pump shaft and the inside of the coupling. Leave to dry and then lubricate with grease P40.
ATTENTION! Install the shafts with the marking and timing hole on the opposite side of the flange. To coincide the mark on the coupling with the timing hole of the shaft.