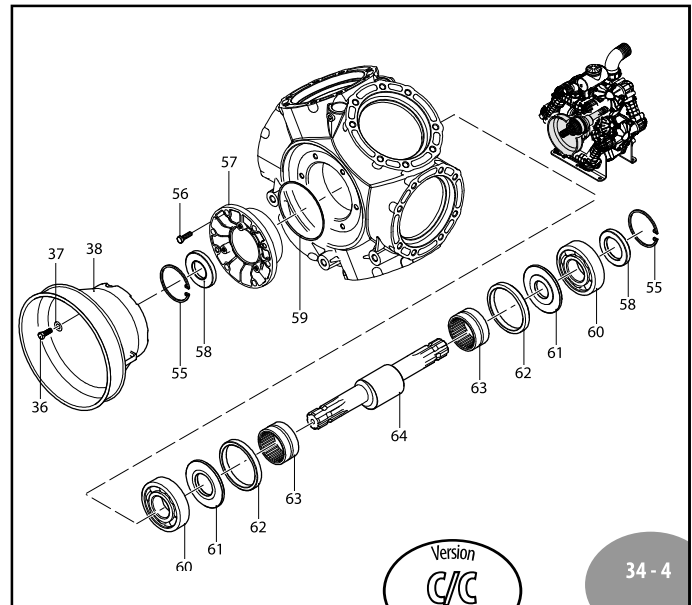
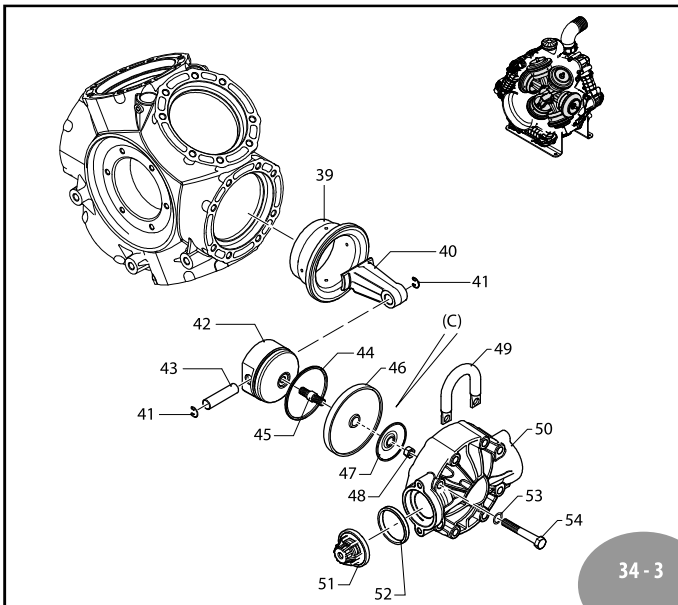
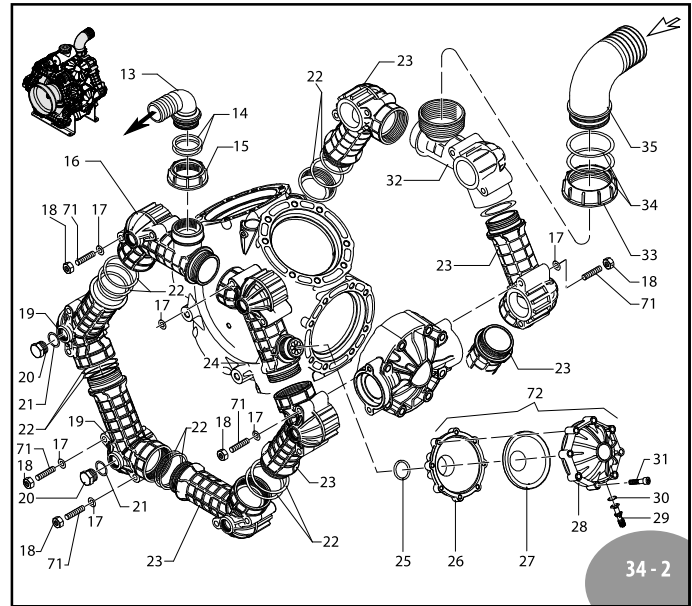
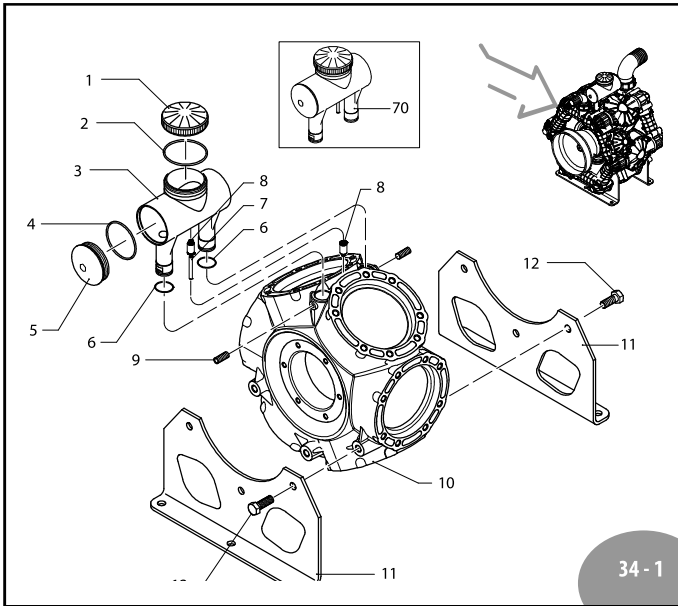


# A.R. NORTH AMERICA

## AR 410 bp - AR 460 bp



# AR 410 bp - AR 460 bp

	C/C
AR410bp	31721
AR460bp	31722

Low pressure

Pos	Code	Description	Qty	Note
1	1800060	Plug black	1	AR 410 bp
	750050	Plug red	1	AR 460 bp
2	1040060	O-ring Ø 72.69x2.62	1	
3	3040250	Oil sight glass	1	
4	3040510	O-ring Ø 70x3	1	
5	3040260	Plug	1	
6	3040590	O-ring Ø 22x3	2	
7	3040500	Hose barb	1	
8	3040490	Fitting	2	
9	394171	Bolt M8x16	2	Geomet T90*
10	3040010	Pump body	1	
11	3040150	Base	2	
12	3040290	Bolt TE M14x40	6	Geomet T445*
13	3040430	Elbow 1 1/2"	1	
14	3040470	O-ring Ø 39.3x2.6	2	
15	3040450	Ring nut 2" G	1	
16	3040060	Manifold manifold	1	
17	3040520	Washer	24	SS
18	2240110	Nut M10 SS	24	T180*
19	3040041	Manifold threaded	2	
20	3040370	Plug 3/4" G	2	T90*
21	1540630	O-ring Ø 23.47x2.62	2	
22	750740	O-ring Ø 56.74x3.53	22	
23	3040040	Manifold closed	7	
24	3040070	Manifold	1	
25	280220	O-ring Ø 29.75x3.53	1	
26	3040310	Semi air chamber lower	1	plasticised
27	550194	Diaphragm air chamber	1	Blueflex
	550190	Diaphragm air chamber	1	NBR
28	620232	Semi air chamber upper	1	Black
29	180020	Air valve	1	T25*
30	650542	Gasket	1	
31	621781	Bolt TE M8x40	8	Geomet T180*
32	3040050	Manifold suction	1	
33	3040420	Ring nut 3" G	1	
34	3040460	O-ring Ø 68.3x3.5	2	
35	3040410	Elbow 3"	1	
36	850251	Bolt TCEI M8x12	3	Geomet T90*
37	390314	Washer	3	Geomet
38	1500470	Shield	1	
39	3040140	Sleeve	6	AR 410 bp
	3040142	Sleeve	6	AR 460 bp
40	3040090	Connecting-rod	6	
41	160691	Ring circlip Øi 18	12	
42	3040100	Piston Ø 100	6	
43	540070	Pin	6	
44	3040110	Piston ring	6	
45	3040130	Hub pin	6	T265* (a)

Pos	Code	Description	Qty	Note
46	3040083	Diaphragm	6	BlueFlex
	3040080	Diaphragm	6	NBR
47	3040120	Retaining washer	6	
48	750980	Nut M12	6	SS T265*
49	3040481	Support	2	
50	3040030	Head plasticised	6	
51	3049050	Valve	12	
52	3040200	Gasket	12	
53	390090	Washer	44	Geomet
54	3040300	Bolt TE M12x85	48	Geomet T445*
55	161050	Ring circlip Øi 72	2	sp.2.5
56	450261	Bolt TE M6x35	6	Geomet T180*
57	3040021	Flange	1	
58	2680120	Ring sailing	2	
59	1800160	O-ring Ø 113.97x2.62	1	
60	160751	Bearing	2	
61	540040	Retaining washer	2	
62	850130	Ring connecting rod	2	
63	850320	Bearing	2	
64	3040170	Shaft marked DA	1	AR410 bp C/C
	3040190	Shaft marked DC	1	AR460 bp C/C
65	3040321	Flange	1	
66	2680130	Ring seal	1	
67	2240380	Bearing	1	
68	3040360	Retaining washer	1	
70	3049001	Oil sight glass Assy	1	
71	3040530	Stud	24	T265*
72	43066	Air chamber	1	Blueflex
	1508	Air chamber	1	NBR
73	3049001	Piston ConRod assembly	5	Not shown

(a) Bolt piston side with Loctite 242 Strong.

(c) Attention! Assemble with grease between the Retaining washer and the diaphragm.

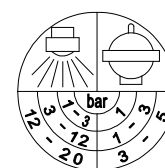
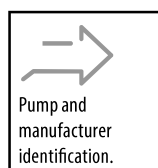
\* Torque: in-lbs +/- 10%

<b>AR 43277</b> BlueFlex™ diaphragms	
<b>AR 43275</b> Buna diaphragms	
<b>AR 43276</b> Desmopan diaphragms	
Pos.	Qty
27	1
46	6
52	12

<b>AR 42290</b> Valves		
Pos.	Qty	
51	12	
52	12	

<b>AR 42291</b> O-Rings			
Pos.	Qty		
2	1		
4	1		
6	2		
14	2		
21	2		
22	22		
25	1		
34	2		
59	1		

<b>Suggested oil</b>	
Type	Oz
AR64532D	32
Crankcase Oil Capacity 296 oz	



2154700 Air chamber decal