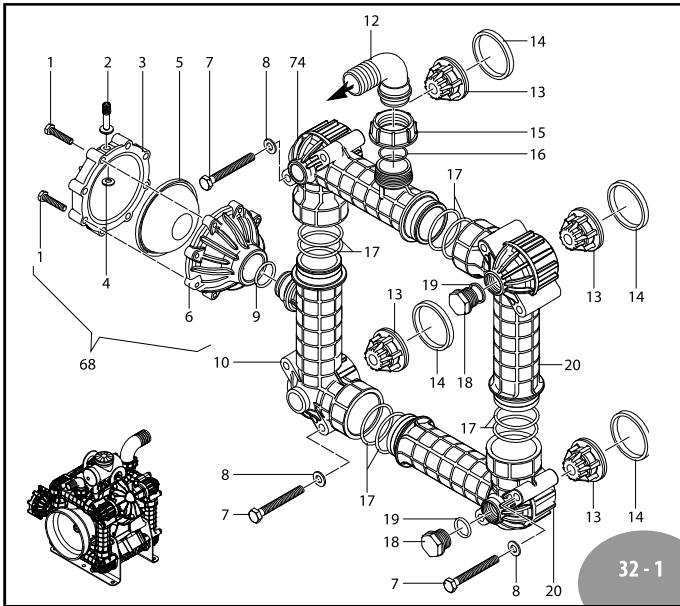
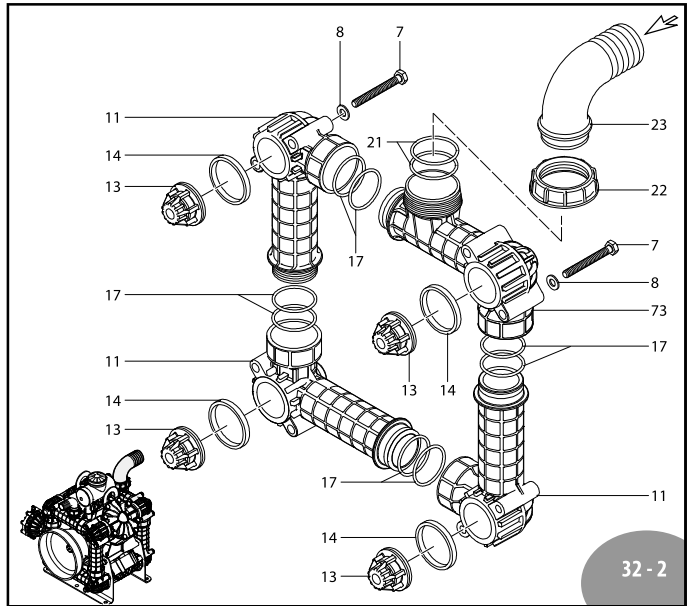


# A.R. NORTH AMERICA

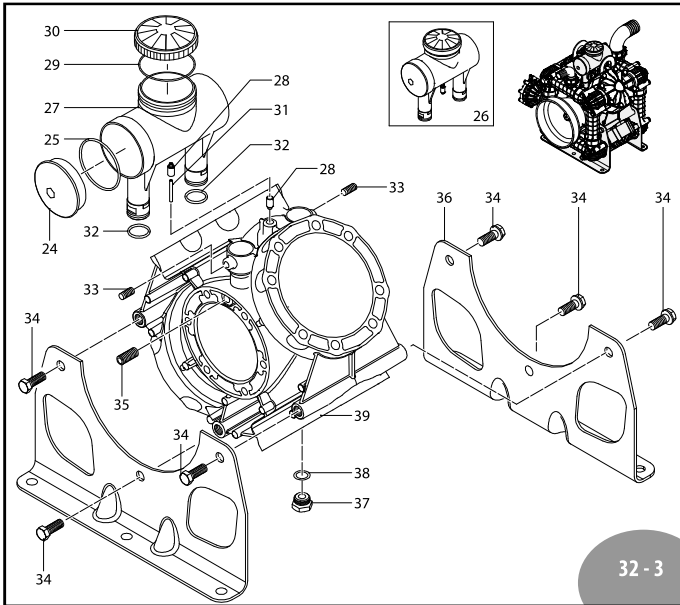
## AR 330 bp - AR 380 bp



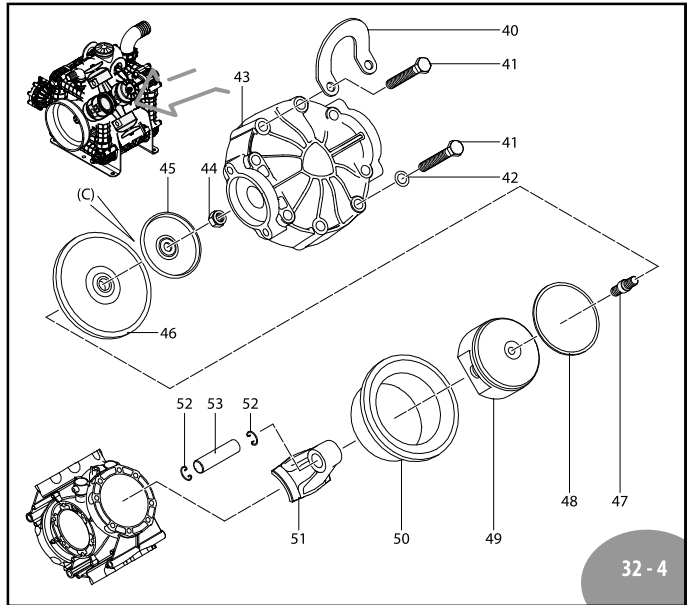
32 - 1



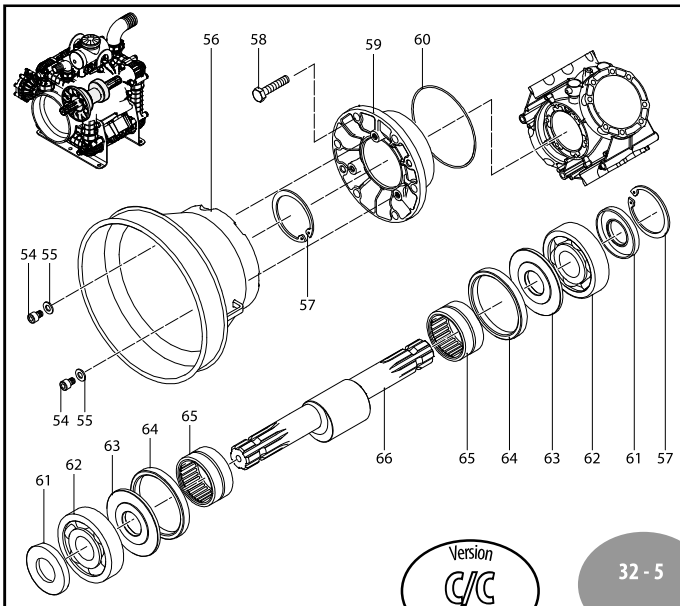
32 - 2



32 - 3



32 - 4



32 - 5



# AR 330 bp - AR 380 bp

	C/C
AR330bp	31719
AR380bp	31720

Low pressure

Pos	Code	Description	Q.ty	Note
1	621781	Bolt TE M8x40	8	Geomet T180*
2	180020	Air valve	1	T25*
3	620232	Semi air chamber upper	1	Black
4	650542	Gasket	1	
5	550194	Diaphragm air chamber	1	Blueflex™
5	550190	Diaphragm air chamber	1	NBR
6	3040310	Semi air chamber lower	1	Plasticised
7	3040280	Bolt TE M10x85	16	Geomet T240*
8	320621	Washer	16	Geomet
9	280220	O-ring Ø 29.75x3.53	1	
10	3280070	Manifold	1	
11	3280040	Manifold asp./manifold	3	
12	751200	Elbow 1 1/4"	1	
13	3049050	Valve	8	
14	3040200	Gasket	8	
15	750670	Ring nut 1 1/2" G	1	
16	390290	O-ring Ø 29x3	1	
17	100320	O-ring Ø 52.39x3.53	16	
18	3040370	Plug 3/4" G	2	T90*
19	1540630	O-ring Ø 23.47x2.62	2	
20	3280041	Manifold threaded	2	
21	750740	O-ring Ø 56.74x3.53	2	
22	750710	Ring nut 2" 1/2 G	1	
23	750720	Elbow Ø 60	1	
24	3040260	Plug	1	
25	3040510	O-ring Ø 70x3	1	
26	3049001	Oil sight glass Assy	1	
27	3040250	Oil sight glass	1	
28	3040490	Fitting	2	
29	1040060	O-ring Ø 72.69x2.62	1	
30	1800060	Plug black	1	AR330bp
30	750050	Plug red	1	AR380bp
31	3040500	Hose barb	1	34 mm 98 Sh
32	3040590	O-ring Ø 22x3	2	
33	394171	Bolt M8x16	2	Geomet T90*
34	3040290	Bolt TE M14x40	6	Geomet T445*
35	3280090	Bolt M10x14	2	Geomet T180*
36	3280030	Base	2	
37	820361	Plug 1/2" G brass	1	
38	180101	O-ring Ø 17.5x2	1	
39	3280010	Pump body	1	
40	3280080	Support	2	
41	3040300	Bolt TE M12x85	32	Geomet T445*
42	390090	Washer	28	Geomet
43	3040030	Head plasticised	4	
44	750980	Nut M12	4	SS T265*
45	3040120	Retaining washer	4	

Pos	Code	Description	Q.ty	Note
46	3040083	Diaphragm	4	BlueFlex
46	3040080	Diaphragm	4	NBR
47	3040130	Hub pin	4	T265* (a)
48	3040110	Piston ring	4	
49	3040100	Piston Ø 100	4	
50	3280110	Sleeve stroke 19 Ø100	4	AR330bp
50	3280160	Sleeve stroke 22 Ø110	4	AR380bp
51	3280020	Connecting-rod	4	
52	160691	Ring circlip Øi 18	8	
53	540070	Pin	4	
54	850251	Bolt TCEI M8x12	3	Geomet T90*
55	390314	Washer	3	Geomet
56	1500470	Shield	1	
57	161050	Ring circlip Øi 72	2	sp.2.5
58	450261	Bolt TE M6x35	6	Geomet T180*
59	3040021	Flange	1	
60	1800160	O-ring Ø 113.97x2.62	1	
61	2680120	Ring seal	2	
62	160751	Bearing	2	
63	540040	Retaining washer	2	AR330bp
63	3280190	Retaining washer	2	AR380bp
64	850130	Ring connecting rod	2	
65	850320	Bearing	2	
66	3280100	Shaft marked DR	1	AR330bp C/C
66	3280150	Shaft marked ER	1	AR380bp C/C
68	43066	Air chamber	1	Blueflex™
68	1508	Air chamber	1	NBR
69	3040360	Retaining washer	1	AR330bp
69	3280190	Retaining washer	1	AR380bp
70	2240390	Ring connecting rod	1	
71	3040321	Flange	1	
72	2680130	Ring seal	1	
73	3280050	Manifold suction	1	
74	3280060	Manifold manifold	1	

(a) Bolt piston side with Loctite 242 Strong.

(c) Attention! Assemble with grease between the Retaining washer and the diaphragm.

@ Pump and manufacturer identification.

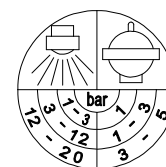
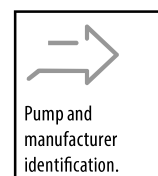
\* Torque: in-lbs +/- 10%

<b>AR 43274</b> BlueFlex™ diaphragms	
<b>AR 43272</b> Buna diaphragms	
<b>AR 43273</b> Desmopon diaphragms	
Pos.	Qty
5	1
14	8
46	4

<b>AR 42980</b> Valves	
Pos.	Qty
13	8
14	8

<b>AR 42591</b> O-Rings			
Pos.	Qty	Pos.	Qty
9	1	60	1
16	1		
17	16		
19	2		
21	2		
25	1		
29	1		
32	2		
38	1		

<b>Suggested oil</b>	
Type	Oz
AR64532D	32
Crankcase Oil Capacity 148 oz	



2154700 Air chamber decal