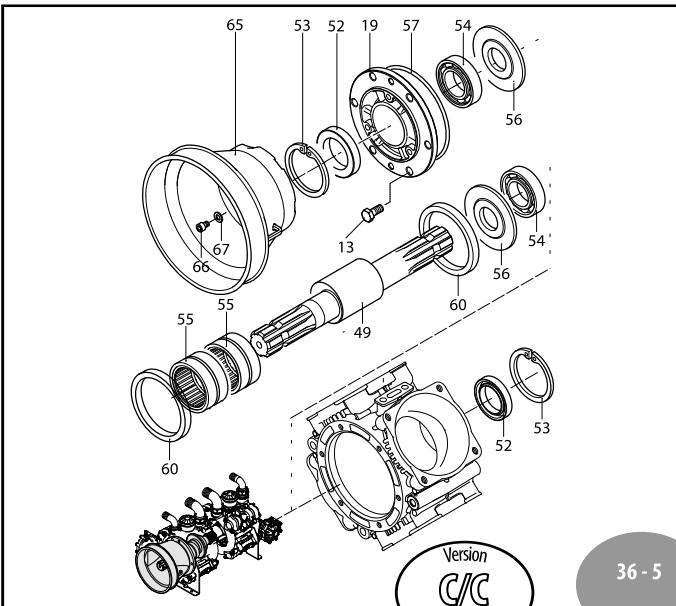
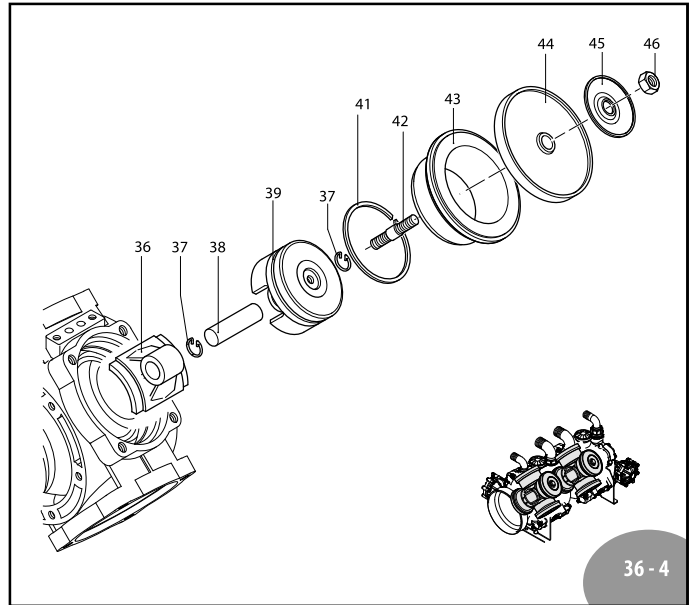
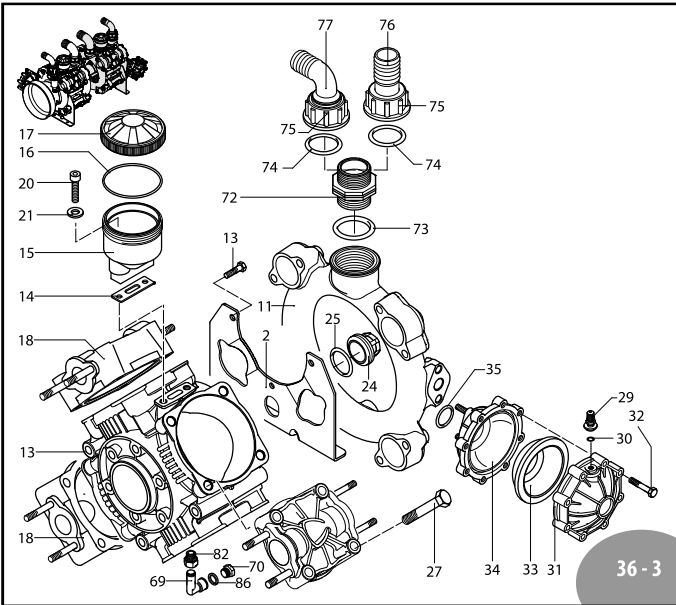
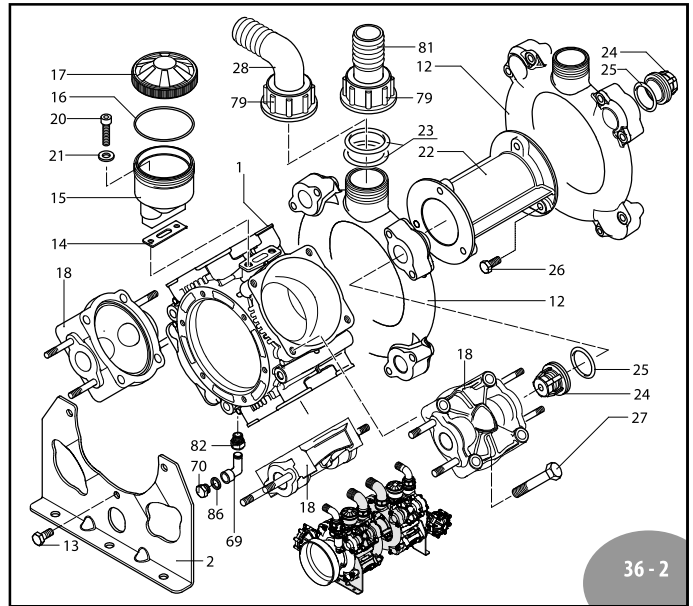
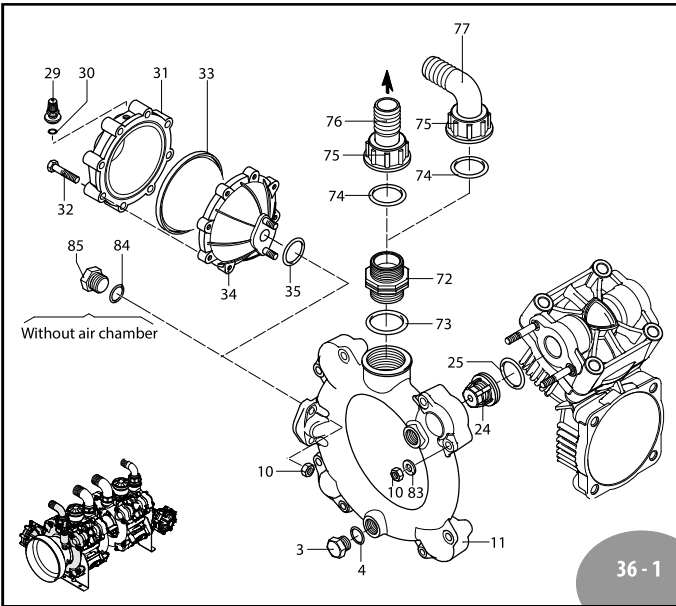


AR 320 bp TWIN TOP - AR 370 bp TWIN TOP



AR 320 bp TWIN TOP - AR 370 bp TWIN TOP

	C/C
AR320bp	31723
AR370bp	31724

Low pressure

Pos	Code	Description	Qty	Note
1	761010	Pump body	2	
2	761031	Base	2	
3	330173	Plug 1/2" G	2	Geomet T180*
	330174	Plug 1/2" G	2	SS T180*
4	180101	O-ring 0 17.5x2	2	
10	380242	Nut M8	36	Geomet T180*
	380244	Nut M8	36	SS T180*
11	760760	Manifold manifold	2	
12	760750	Manifold suction	2	
13	160672	Bolt TE M10x25	12	Geomet T355*
	160673	Bolt TE M10x25	12	SS T355*
14	750040	Gasket	2	
15	750030	Oil sight glass	2	
16	1040060	O-ring 0 72.69x2.62	2	
17	1800060	Plug black	2	AR270bp
	750050	Plug red	2	AR320bp
18	751350	Head	8	
	751352	Head	8	SS
19	680020	Support	2	
20	680350	Bolt TCEI M8x35	4	T90*
21	380243	Washer	4	Geomet
22	751320	Flange	1	
23	3040470	O-ring 0 39.3x2.6	4	
24	759051	Valve	16	
25	680070	O-ring 0 31.5x4.25	16	
26	620321	Bolt TE M10x30	6	Geomet T445*
	620322	Bolt TE M10x30	6	SS T445*
27	750061	Bolt TE M12x65	32	Geomet T445*
	750062	Bolt TE M12x65	32	SS T445*
28	3040430	Elbow 1 1/2"	2	AR320bp
	3040440	Elbow 2"	2	AR370bp
29	180020	Air valve	2	T25*
30	650542	Gasket	2	
31	620232	Semi air chamber upper	2	Black
32	621781	Bolt TE M8x40	16	Geomet T180*
	621782	Bolt TE M8x40	16	SS T180*
33	550190	Diaphragm air chamber	2	NBR
	550191	Diaphragm air chamber	2	Saturflon
	550192	Diaphragm air chamber	2	Viton
	550193	Diaphragm air chamber	2	HPDS
	550194	Diaphragm air chamber	2	BlueFlex™
34	680180	Semi air chamber lower	2	
35	390290	O-ring 0 29x3	2	
36	760140	Connecting-rod	8	
37	160691	Ring circlip 0i 18	16	
38	160700	Pin	8	
39	750122	Piston 0 80	4	
41	500260	Piston ring	8	(a)
42	2240100	Hub pin	8	T310*
43	750115	Sleeve	8	AR370bp
	750110	Sleeve	8	AR320bp

Pos	Code	Description	Qty	Note
44	550080	Diaphragm	8	NBR (b)
	550085	Diaphragm	8	Desmopan
	550084	Diaphragm	8	Viton
	550086	Diaphragm	8	HPDS
	550081	Diaphragm	8	BlueFlex™
45	751250	Retaining washer	8	
46	2240110	Nut M10	8	SS T265*
49	750170	Shaft marked AU	2	AR320bp
	750174	Shaft marked AV	2	AR370bp
50	800750	Bolt M8x8	1	T90*
51	761040	Coupling 1 3/8(F)Z=6 45°	1	marked 4 (c)
52	160740	Ring seal	4	
53	200390	Ring circlip 0i 62	4	
54	751280	Bearing	4	
55	750090	Bearing	4	
56	540040	Retaining washer	4	
57	851360	O-ring 0 120.32x2.62	2	
58	230310	Bearing	1	
60	750130	Ring connecting rod	4	
61	760510	Retaining washer	1	
62	620330	Ring circlip 0i 65	1	
64	2420181	Support	1	
65	1500470	Shield	1	
66	850251	Bolt TCEI M8x12	6	Geomet
	850252	Bolt TCEI M8x12	6	SS
67	390314	Washer	6	Geomet
	390315	Washer	6	SS
68	650640	Bolt TCEI M10x25	6	Geomet T355*
	650642	Bolt TCEI M10x25	6	SS T355*
69	900210	Fitting 3/8" G M-F	2	
70	2281270	Plug 3/8" G	2	T180*
71	160673	Bolt TE	3	SS T180*
72	751130	Fitting 1 1/2 G M-M	2	
73	751140	O-ring 0 47.22x3.53	2	
74	390290	O-ring 0 29x3	2	
75	750670	Ring nut 1 1/2" G	2	
77	751200	Elbow 1 1/4"	2	
79	3040450	Ring nut 2" G	2	
81	760950	Hose barb 0 40	2	Optional AR320bp
	760570	Hose barb 0 50	2	Optional AR370bp
82	1040491	Fitting 3/8" M-F	2	
83	380243	Washer	32	Geomet
	390315	Washer	32	SS
84	740290	O-ring 0 14x1.78	2	
85	880530	Plug 3/8" G	2	T180*
	2340350	Plug 3/8" G	2	SS T180*
86	2260200	Washer	2	

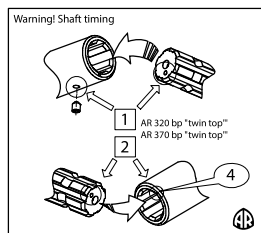
* Torque: in-lbs +/- 10%

AR 43264 Buna diaphragms	
AR 43266 Viton diaphragms	
AR 43265 Desmopan diaphragms	
AR 43267 BlueFlex™ diaphragms	
Pos.	Qty
25	16
33	2
44	8

AR 2374 (Qty 2) Valves	
Pos.	Qty
24	8
25	8

AR 42510 (Qty 2) O-Rings	
Pos.	Qty
4	1
8	1
16	1
23	2
25	8
30	1
35	1
57	1
73	1
74	1
85	2

Suggested oil	
Type	Oz
AR64532D	32
Crankcase Oil Capacity 90 oz	



- (a) Bolt with Loctite 242 piston side.
 (b) **ATTENTION!** Assemble with grease, between the Retaining washer and the diaphragm.
 (c) **ATTENTION!** Before coupling spray D-321R on the outside of the pump shaft and the inside of the coupling. Leave to dry and then lubricate with grease.
ATTENTION! Install the shafts with the marking and timing hole on the opposite side of the flange. To coincide the mark on the coupling with the timing hole of the shaft.