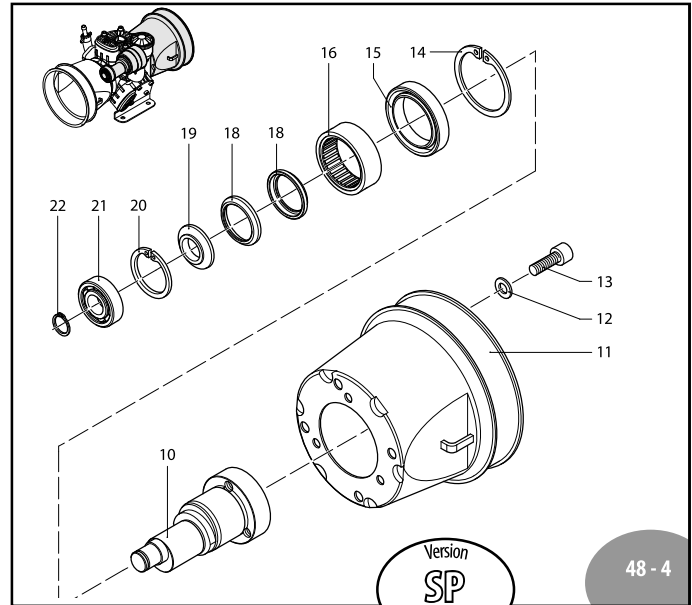
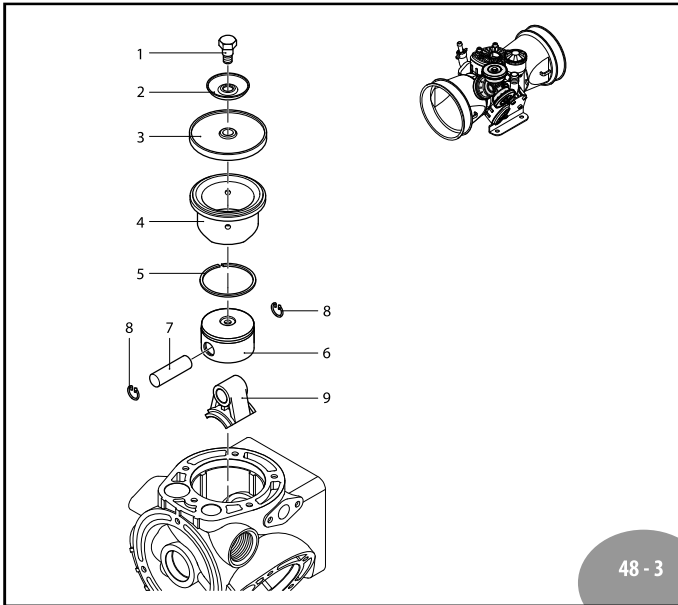
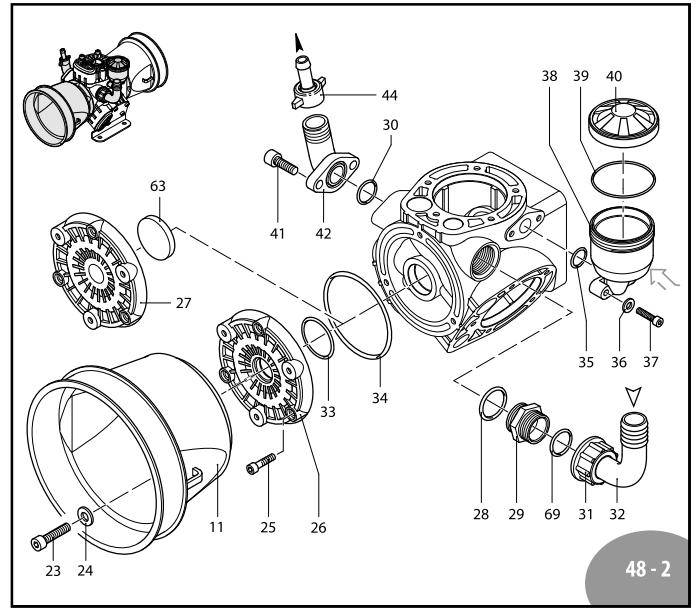
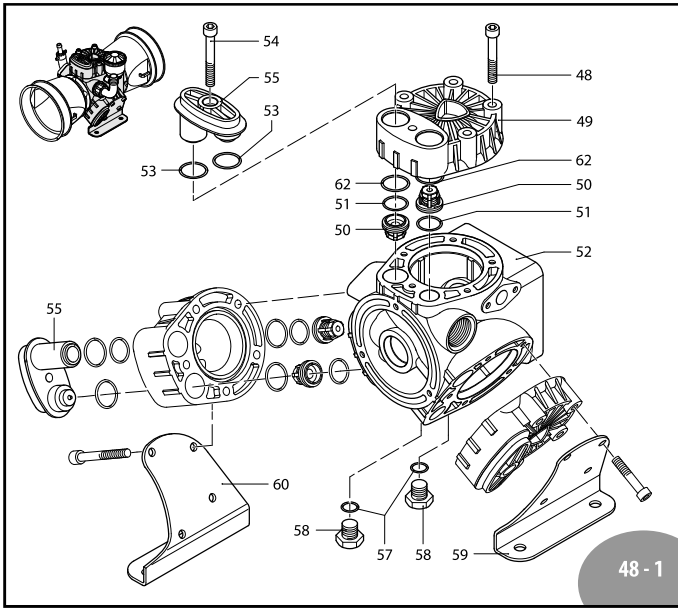


A.R. NORTH AMERICA

AR 303 - AR 403



AR 303 - AR 403

	SP	GR3/4-GCI
AR303	31740	31742
AR403	31743	31745

Pos	Code	Description	Qty	Note
1	800090	Hub pin	3	T180*
	800091	Hub pin	3	Viton T180*
2	800350	Retaining washer	3	
3	800080	Diaphragm	3	NBR
	800081	Diaphragm	3	Viton
	800085	Diaphragm	3	Desmopan
	800086	Diaphragm	3	HPDS
	800082	Diaphragm	3	BlueFlex™
4	1880440	Sleeve	3	AR 403 Viton
	1880441	Sleeve	3	AR 303 Viton
	1880050	Sleeve	3	AR 403
	1880051	Sleeve	3	AR 303
5	1880110	Piston ring	3	
6	1880060	Piston Ø 50	3	
7	1880120	Pin	3	
8	380080	Ring circlip Øi 14	6	
9	1880070	Connecting-rod	3	
10	1880101	Shaft marked 2	1	AR 303
	1880100	Shaft marked 1	1	AR 403
11	1500350	Shield	1	
12	900270	Washer	4	
13	820670	Bolt TCEI M10x16	4	T90*
14	620330	Ring circlip Øi 65	1	
15	620130	Ring seal	1	
16	550060	Bushing	1	
17	1880190	Ring seal	1	
18	1880180	Ring connecting rod	2	
19	1880170	Spacer	1	
20	111120	Ring circlip Øi 47	1	
21	1461430	Bearing	1	
22	620291	Ring circlip Øe 20	1	
23	850250	Bolt TCEI M8x12	3	T90*
24	380241	Washer	3	
25	780060	Bolt TCEI M6x25	3	T90*
26	1880021	Manifold suction	1	
27	1880020	Manifold suction	1	
28	390290	O-ring Ø 29x3	1	
29	550340	Fitting 1" G M-M	1	
30	550350	O-ring Ø 23.81X2.62	1	☒
31	550242	Ring nut 1" G	1	

Pos	Code	Description	Qty	Note
32	550370	Elbow 1"	1	
33	390201	O-ring	1	for C/SP
34	1880130	O-ring Ø 88.57x2.62	1	
35	390180	O-ring Ø 18.72x2.62	1	
36	550331	Washer	2	
37	1200440	Bolt TCEI M6x35	2	T90*
38	1040310	Oil sight glass	1	
39	650920	O-ring Ø 53.65x2.62	1	
40	1040326	Plug black	1	AR 303
	1040324	Plug red	1	AR 403
41	540290	Bolt TCEI M8x25	2	T180*
42	450145	Flange	1	Optional
42	450148	Flanged Adapter straight	1	Not shown
43	1880160	Shaft marked 4	1	AR 403
44	110130	Ring nut 1/2"	1	
45	621370	Coupling	1	
46	961340	Washer	1	
47	680350	Bolt TCEI M8x35	1	T180*
48	800860	Bolt TCEI M8x55	12	T180*
49	1880030	Head	3	
50	1889051	Complete valve	6	
51	1140450	O-ring Ø 20.24x2.62	6	
52	1880010	Pump body	1	
53	1880480	O-ring Ø 25x2	6	
54	280080	Bolt TCEI M8x60	3	T180*
55	1880040	Cover	3	
57	740290	O-ring Ø 14x1.78	2	
58	880530	Plug 3/8" G	2	T180*
59	1880080	Base	1	
60	1880090	Base	1	
61	620680	Key	1	
62	780050	O-ring Ø 28.25x1.78	6	
63	1880380	Oil seal	1	For SP version

* Torque: in-lbs +/- 10%

Medium pressure

AR 43289 BlueFlex™ diaphragms	
AR 43286 NBR diaphragms	
AR 43287 Desmopan diaphragms	
Pos.	Qty
3	3
51	6
62	6

AR 2388 Valves		
Pos.	Qty	
50	6	
51	6	

AR 2389 O-Rings		
Pos.	Qty	
28	1	
30	2	
33	1	
34	1	
35	1	
39	1	
51	9	
53	6	
57	2	
62	6	

Suggested oil	
Type	Oz
AR64532D	32
Crankcase Oil Capacity 15 oz	

