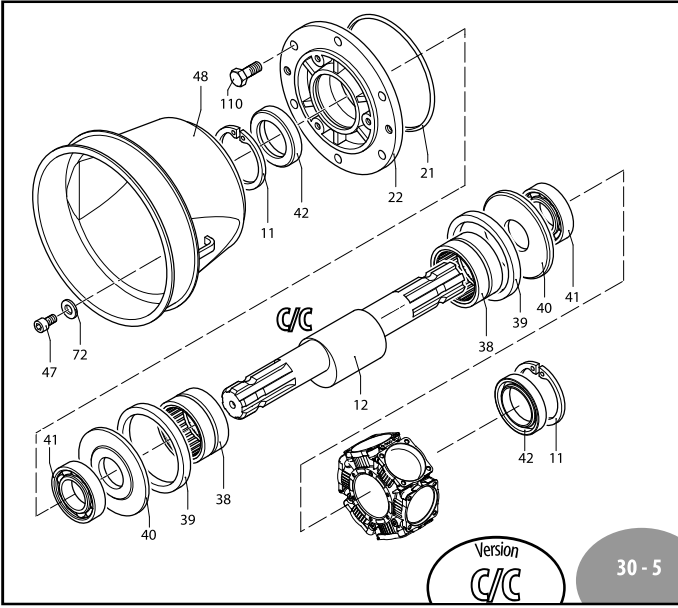
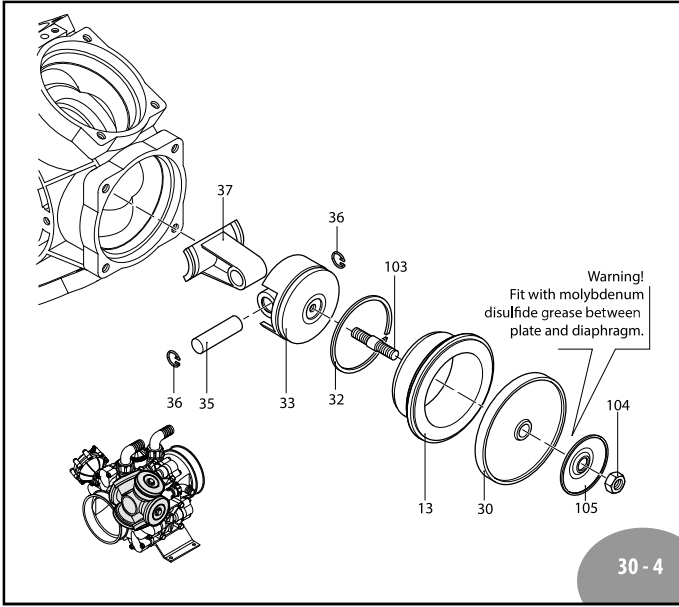
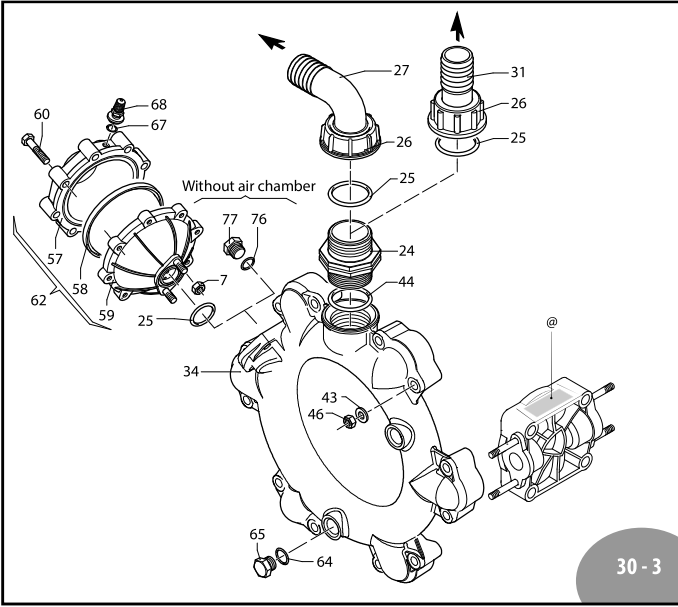
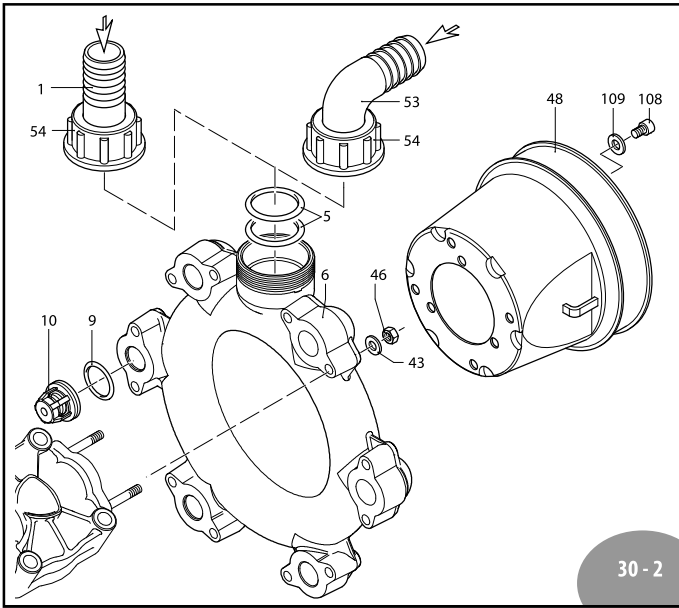
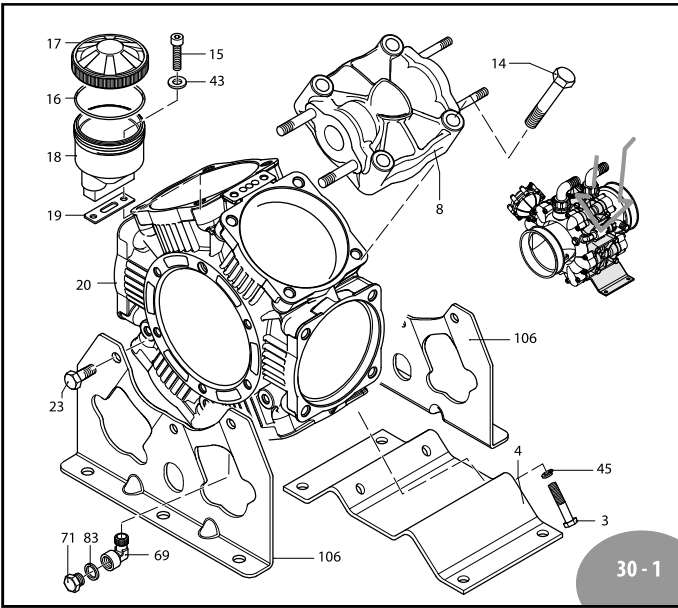


A.R. NORTH AMERICA

AR 215 bp - AR 250 bp - AR 280 bp



	C/C
AR215bp	31716
AR250bp	31717
AR280bp	31718

Low pressure

AR 215 bp - AR 250 bp - AR 280 bp

Pos	Code	Description	Qty	Note
1	750870	Hose barb 2"	1	Optional
	750730	Hose barb Ø 60	1	Optional
3	750071	Bolt TE M12x70	4	Geomet T445*
4	750200	Base	1	
5	750740	O-ring Ø 56.74x3.53	2	
6	751070	Manifold suction	1	
7	380242	Nut M8	2	Geomet T220*
8	751350	Head black plasticized	6	
9	680070	O-ring Ø 31.5x4.25	12	
10	759051	Valve	12	
11	200390	Ring circlip Øi 62	2	
12	750176	Shaft marked AZ	1	AR 215 bp C/C
	750170	Shaft marked AU	1	AR 250 bp C/C
	750174	Shaft marked AV	1	AR 280 bp C/C
	750117	Sleeve	6	AR 215 bp C/C
13	750110	Sleeve	6	AR 250 bp C/C
	750115	Sleeve	6	AR 280 bp C/C
14	750061	Bolt TE M12x65	24	Geomet T445*
15	680350	Bolt TCEI M8x35	2	T90*
16	1040060	O-ring Ø 72.69x2.62	1	
17	750051	Plug green	1	AR 215 bp
	1800060	Plug black	1	AR 250 bp
	750050	Plug red	1	AR 280 bp
	750030	Oil sight glass	1	
19	750040	Gasket	1	
20	751300	Pump body	1	
21	851360	O-ring Ø 120.32x2.62	1	
22	680020	Support	1	
23	160672	Bolt TE M10x25	6	Geomet T355*
24	751130	Fitting 1"1/2 G M-M	1	T90*
25	390290	O-ring Ø 29x3	2	
26	750670	Ring nut 1 1/2" G	1	
27	750660	Elbow 1 1/2"	1	
28	2420181	Support	1	
29	650640	Bolt TCEI M10x25	6	Geomet T310*
30	550081	Diaphragm	6	BlueFlex
	550080	Diaphragm	6	NBR
	550084	Diaphragm	6	Viton
	550085	Diaphragm	6	Desmopan
	550086	Diaphragm	6	HPDS
31	760940	Hose barb Ø 35	1	
32	500260	Piston ring	6	
33	750122	Piston Ø 80	6	
34	751080	Manifold manifold	1	
35	160700	Pin	6	
36	160691	Ring circlip Øi 18	12	
37	750140	Connecting-rod	6	
38	750090	Bearing	2	
39	750130	Ring connecting rod	2	
40	540040	Retaining washer	2	
41	751280	Bearing	2	
42	160740	Ring seal	2	

Pos	Code	Description	Qty	Note
43	380243	Washer	26	Geomet
44	751140	O-ring Ø 47.22x3.53	1	
45	250143	Washer	4	Geomet
46	380242	Nut M8	24	Geomet T180*
47	850251	Bolt TCEI M8x12	3	Geomet T90*
48	1500470	Shield	1	
49	750850	Elbow 2"	1	AR215 bp - AR250 bp
	750720	Elbow Ø 60	1	AR 280 bp
54	750710	Ring nut 2" 1/2 G	1	
57	620232	Semi air chamber upper	1	Black
58	550194	Diaphragm air chamber	1	Blueflex
	550190	Diaphragm air chamber	1	NBR
	550192	Diaphragm air chamber	1	Viton
	550193	Diaphragm air chamber	1	HPDS
59	680180	Semi air chamber lower	1	
60	621781	Bolt TE M8x40	8	Geomet T220*
	629230	Air chamber BlueFlex*	1	
62	629216	Air chamber NBR	1	
64	180101	O-ring Ø 17.5x2	1	
65	330173	Plug 1/2" G	1	Geomet T180*
67	650542	Gasket	1	
68	180020	Air valve	1	T25*
69	750370	Fitting 1/4" G M-F	1	
71	880581	Plug 1/4" G	1	T180*
72	390314	Washer	3	Geomet
76	740290	O-ring Ø 14x1.78	1	
77	880530	Plug 3/8" G	1	T180*
83	880820	Washer	1	
84	620330	Ring circlip Øi 65	1	
85	1800090	Ring seal	1	
86	230310	Bearing	1	
87	760510	Retaining washer	1	
103	2240100	Hub pin	6	T265*
104	2240110	Nut M10 SS	6	SS T220*
105	751250	Retaining washer	6	
106	751291	Base	2	
108	820673	Bolt TCEI M10X16	3	Geomet T90*
109	320621	Washer	3	Geomet
110	160672	Bolt TE M10x25	6	Geomet T310*
111	1300280	Spacer	3	
112	760360	Guard	1	
113	320621	Washer	3	Geomet
114	650640	Bolt TCEI M10x25	3	Geomet T90*

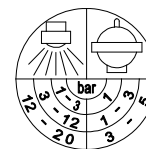
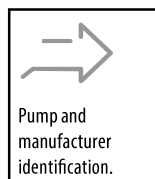
* Torque: in-lbs +/- 10%

AR 43263 BlueFlex diaphragms	
AR 43260 Buna diaphragms	
AR 43261 Desmopan diaphragms	
Pos.	Qty
9	12
30	6
58	1

AR 2114 Valves	
Pos.	Qty
9	12
10	12

AR 42513 O-Rings	
Pos.	Qty
5	2
9	12
16	1
21	1
25	2
44	1
64	1
76	1
80	2

Suggested oil	
Type	Oz
AR64532D	32
Crankcase Oil Capacity 98 oz	



2154700 Air chamber decal