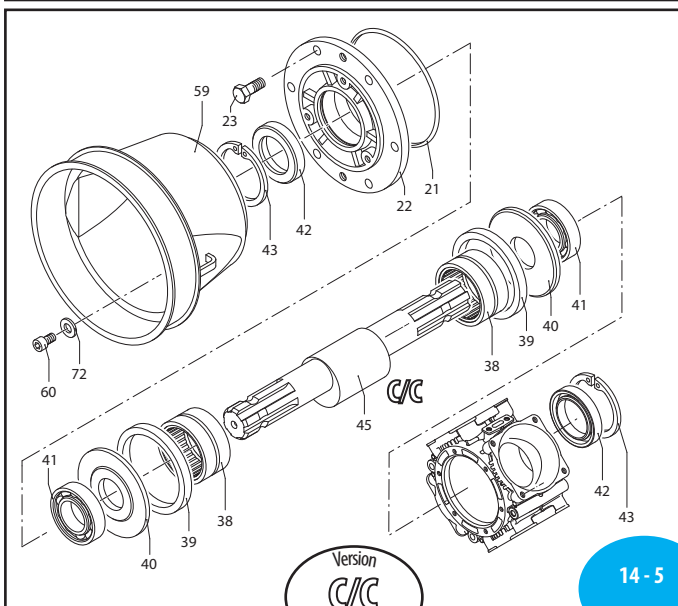
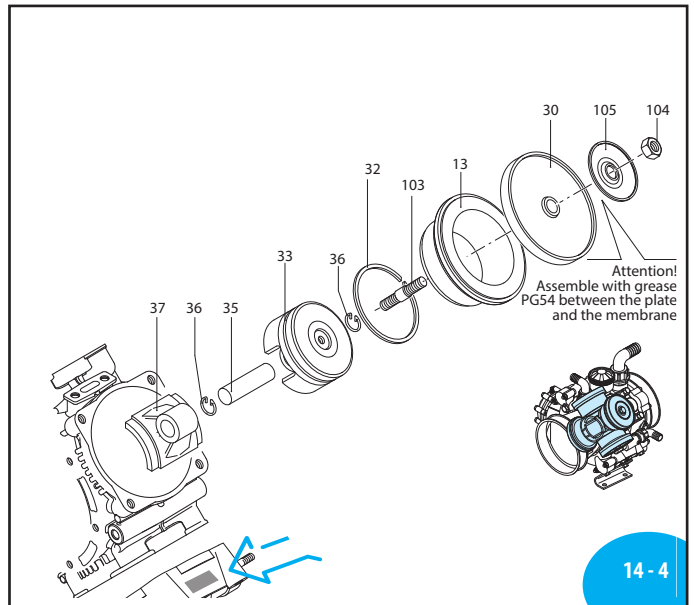
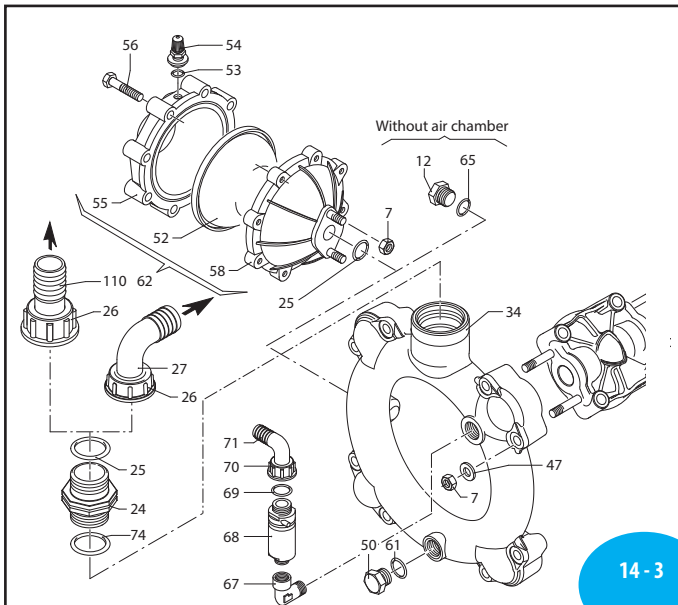
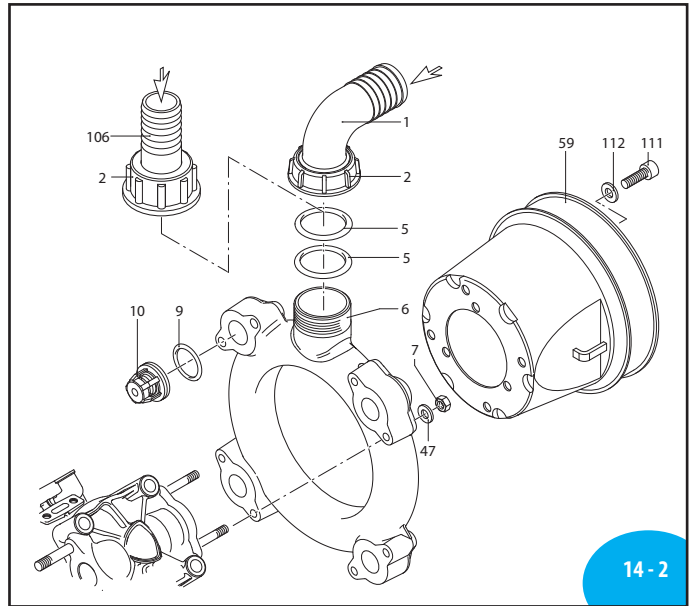
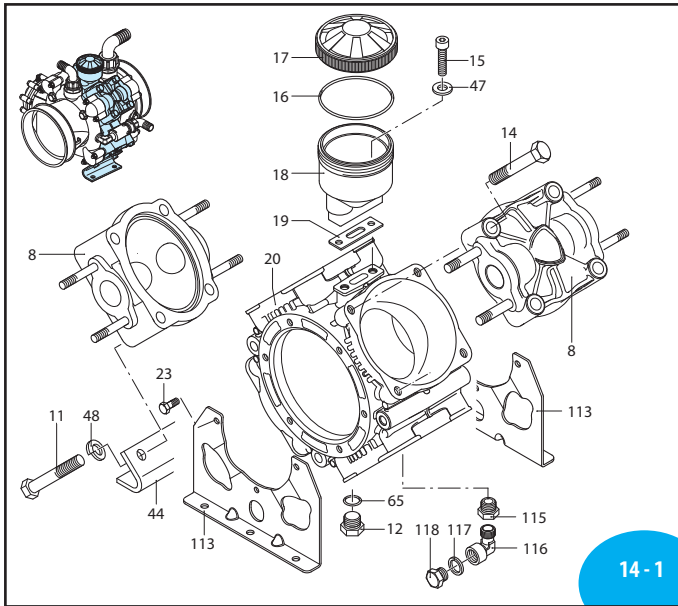


A.R. NORTH AMERICA

AR 160 bp - AR 185 bp



AR 160 bp - AR 185 bp

Pos	Code	Description	Qty	Note
1	3040430	Elbow 1 1/2"	1	AR 160 bp
	3040440	Elbow 2"	1	AR 185 bp
2	3040450	Ring nut 2" G	1	
5	3040470	O-ring Ø 39.3x2.6	2	
6	760750	Line suction	1	
7	380242	Nut M8	18	Geomet T180*
8	751350	Head black plasticized	4	
9	680070	O-ring Ø 31.5x4.25	8	
10	759051	Valve	8	
11	750071	Screw TE M12x70	4	Geomet T445*
12	880530	Plug 3/8" G	2	T180*
13	750110	Sleeve	4	AR 160 bp
	750115	Sleeve	4	AR 185 bp
14	750061	Screw TE M12x65	16	Geomet T445*
15	680350	Screw TCEI M8x35	2	T90*
16	1040060	O-ring Ø 72.69x2.62	1	
17	1800060	Plug black	1	AR 160 bp
	750050	Plug red	1	AR 185 bp
18	750030	Tank	1	
19	750040	Gasket	1	
20	761010	Pump body	1	
21	851360	O-ring Ø 120.32x2.62	1	
22	680020	Support	1	
23	160672	Screw TE M10x25	6	Geomet T310*
24	751130	Fitting 1"1/2 G M-M	1	
25	390290	O-ring Ø 29x3	2	
26	750670	Ring nut 1 1/2" G	1	
27	760930	Elbow 1"	1	AR 160 bp
	751200	Elbow 1 1/4"	1	AR 185 bp
28	2420181	Support	1	
29	650640	Screw TCEI M10x25	6	Geomet T310*
30	550081	Diaphragm	4	BlueFlex
	550080	Diaphragm	4	NBR
	550084	Diaphragm	4	Viton
	550085	Diaphragm	4	Desmopan
	550086	Diaphragm	4	HPDS
32	500260	Piston ring	4	
33	750122	Piston Ø 80	4	
34	760760	Line manifold	1	
35	160700	Pin	4	
36	160691	Ring circlip Øi 18	8	
37	760140	Connecting-rod	4	
38	750090	Bearing	2	
39	750130	Ring connecting rod	2	
40	540040	Plate	2	
41	230350	Bearing	2	
42	160740	Ring seal	2	
43	200390	Ring circlip Øi 62	2	
44	760201	Foot	2	
45	750170	Shaft marked AU	1	AR 160 bp C/C
	750174	Shaft marked AV	1	AR 185 bp C/C
47	380243	Washer	18	Geomet

Pos	Code	Description	Qty	Note
48	250143	Washer	4	Geomet
50	330173	Plug 1/2" G	1	Geomet T180*
51	550194	Diaphragm air chamber	1	Blueflex
	550190	Diaphragm air chamber	1	NBR
	550191	Diaphragm air chamber	1	Saturflon
	550192	Diaphragm air chamber	1	Viton
	550193	Diaphragm air chamber	1	HPDS
53	650542	Gasket	1	
54	180020	Air valve	1	T25*
55	620232	Semi air chamber upper	1	Black
56	621781	Screw TE M8x40	8	Geomet T180*
58	680180	Semi air chamber lower	1	
59	1500470	Shield	2	
60	850251	Screw TCEI M8x12	3	Geomet T180*
61	180101	O-ring Ø 17.5x2	1	
62	629230	Air chamber BlueFlex™	1	
	629216	Air chamber NBR	1	
65	740290	O-ring Ø 14x1.78	2	
67	881560	Fitting 1/2" G M-F	1	
68	1609000	Safety valve	1	290 PSI
69	880831	O-ring Ø 15.54x2.62	1	Viton
70	550450	Ring nut 3/4" G	1	
71	550460	Elbow Ø 18	1	
72	390314	Washer	3	Geomet
74	751140	O-ring Ø 47.22x3.53	1	
78	620330	Ring circlip Øi 65	1	
79	1800090	Ring seal	1	
80	230310	Bearing	1	
81	760510	Plate	1	
103	2240100	Hub pin	4	T265*
104	2240110	Nut M10 SS	4	T220*
105	751250	Wobble plate	4	
106	760950	Hose tail Ø 40	1	Optional AR 160 bp
	760570	Hose tail Ø 50	1	Optional AR 185 bp
110	760920	Hose tail Ø 25	1	Optional AR 160 bp
	760940	Hose tail Ø 35	1	Optional AR 185 bp
111	820673	Screw TCEI M10x16	3	Geomet
112	320621	Washer	3	Geomet
113	761031	Foot	2	
115	1040491	Fitting 3/8" G M-F	1	
116	900210	Fitting 3/8" G M-F	1	
117	2260200	Washer	1	
118	2281270	Plug 3/8" G	1	T180*
119	1300280	Spacer	3	
120	760360	Guard	1	
121	320621	Washer	3	Geomet
122	650640	Screw TCEI M10x25	3	Geomet T90*

* Torque: in-lbs +/- 10%



AR 43259
BlueFlex diaphragms

AR 43256
Buna diaphragms

AR 43258
HPDS diaphragms

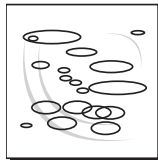
AR 43257
Desmopan diaphragms

Pos.	Qty
9	8
30	4
52	1



AR 2374
Valves

Pos.	Qty
9	8
10	8



AR 42510
O-Rings

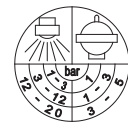
Pos.	Qty	Pos.	Qty
5	2	61	1
9	8	65	2
16	1	69	1
21	1	74	1
25	2		
53	1		



Suggested oil

Type	Oz
AR64516	16

Crankcase Oil
Capacity 56 oz



2154700 Air chamber decal

