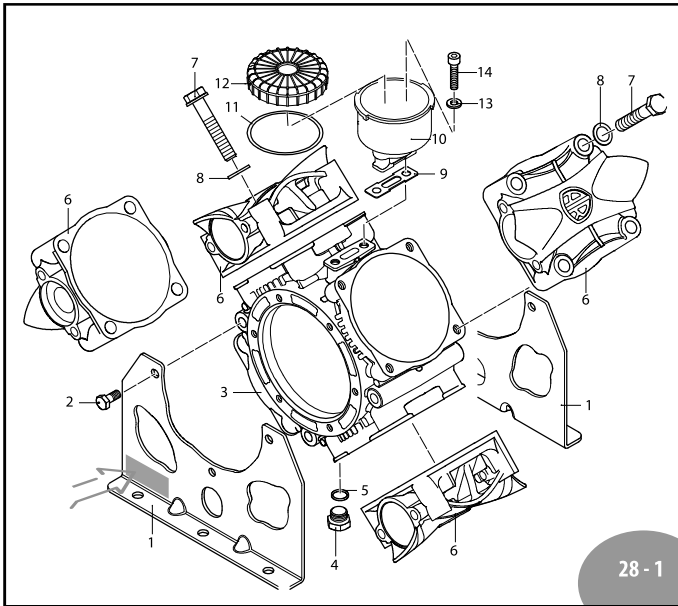
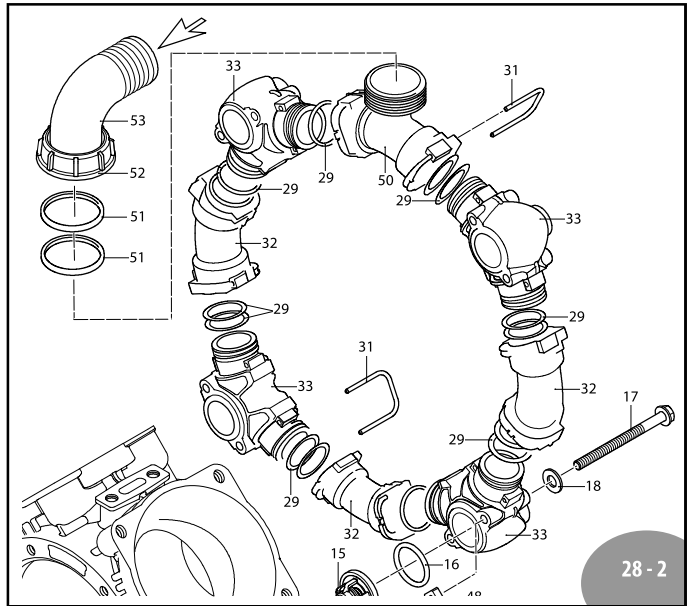


A.R. NORTH AMERICA

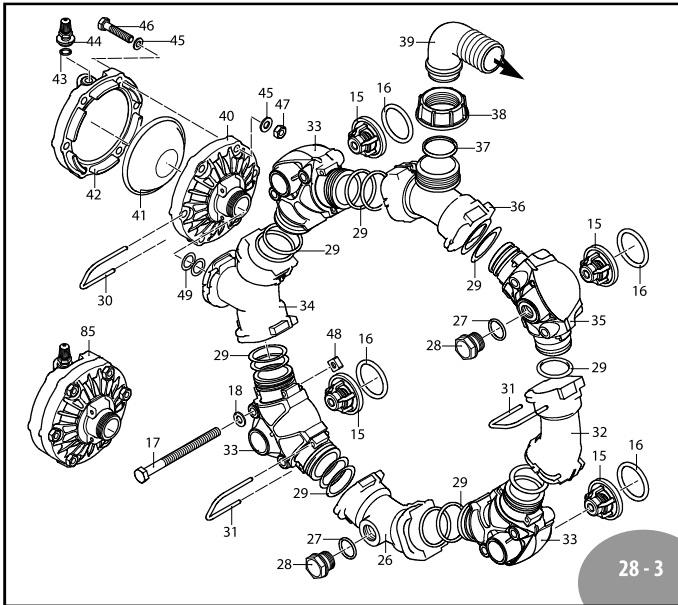
AR 160 LFP - C/C / AR 185 LFP - C/C



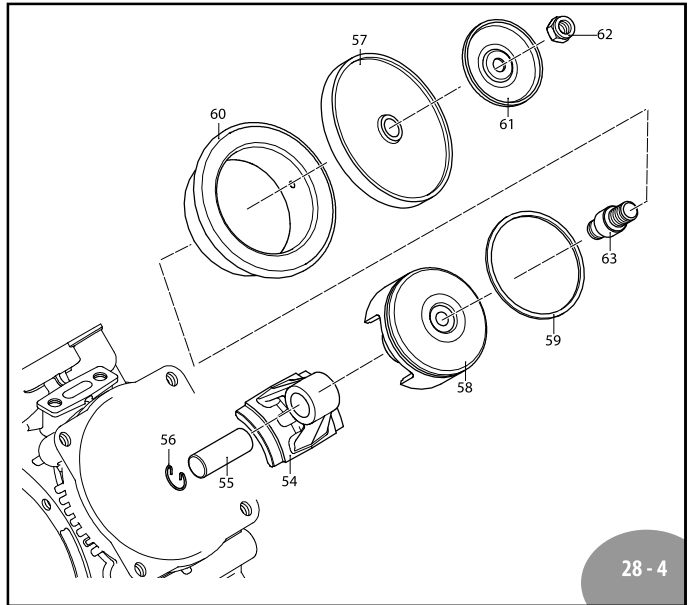
28 - 1



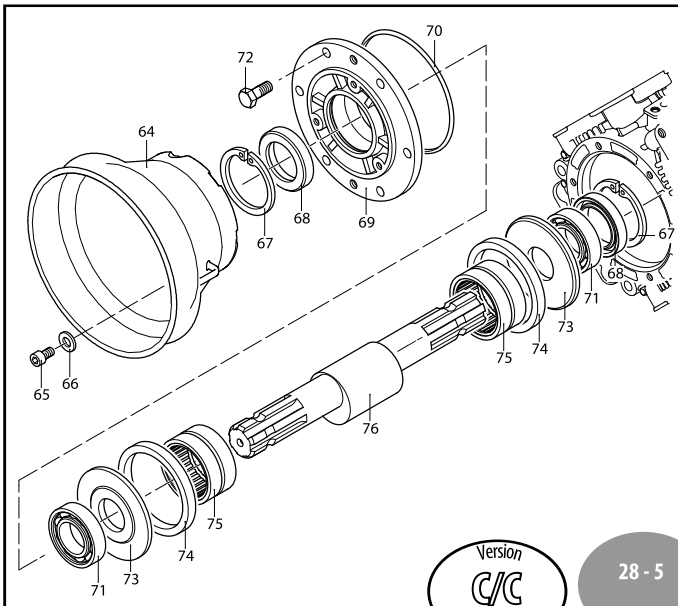
28 - 2



28 - 3



28 - 4



28 - 5



AR 160 LFP / AR 185 LFP

	C/C
	BlueFlex™
AR160LFP	31484
AR185LFP	33125

Low pressure

Pos	Code	Description	Qty	Note
1	761031	Base	2	
2	160673	Bolt TE M10x25	6	SS T354*
3	761010	Pump body	1	
4	880530	Plug 3/8" G	1	T177*
5	740290	O-ring Ø 14x1.78	1	
6	3460020	Head	4	
7	750072	Bolt TE M12x70	16	SS T309*
8	390092	Washer	16	SS
9	750040	Gasket	1	
10	751170	Oil sight glass	1	
11	1980340	O-ring Ø 83.8x2.62	1	
12	751183	Cap Red	1	
13	380243	Washer	2	
14	680350	Bolt TCEI M8x35	2	T88*
15	2429051	Valve AISI 316L	8	
16	3460380	Gasket	8	Viton
17	3460201	Bolt TE M8x100	16	SS T88*
18	390315	Washer	16	SS
26	761240	Manifold section	1	
27	1150641	O-ring Ø 20x24x2.62	2	Viton
28	3460490	Plug 1/2" G	2	T88*
29	230061	O-ring Ø 34.52x3.53	32	Viton
30	3460210	Fork	1	
31	761250	Fork	16	
32	761200	Manifold section	4	
33	761190	Manifold section	7	
34	761230	Manifold section air chamber	1	
35	761191	Manifold section SRV port	1	
36	761220	Manifold section discharge 1-1/2" G	1	
37	1880460	O-ring Ø 29x3	1	Viton
38	750670	Ring nut 1-1/2" G	1	
39	3040160	Elbow Ø 35	1	
40	3460180	Semi air chamber lower	1	Nylon
41	800192	Diaphragm air chamber	1	BlueFlex™
42	3460190	Semi air chamber upper	1	Nylon
43	650542	Gasket	1	
44	180020	Air valve	1	T22*
45	390315	Washer	12	SS
46	621782	Bolt TE M8x40	6	SS T177*
47	3120260	Nut M8	6	SS T177*
48	3120510	Nut famework M8	16	SS
49	880311	O-ring Ø 26.65x2.62	2	Viton
50	761210	Manifold section inlet 2" G	1	
51	3040471	O-ring Ø 39.34x2.62	2	Viton
52	3040450	Ring nut 2" G	1	
53	3040440	Elbow Ø 50	1	
54	760140	Connecting-rod	4	
55	160700	Pin	4	
56	160691	Ring Øi 18	8	
57	550081	Diaphragm	4	BlueFlex™
58	750122	Piston Ø 80	4	
59	500260	Piston ring	4	

Pos	Code	Description	Qty	Note
60	750115	Sleeve	4	AR160LFP
61	751251	Retaining washer	4	
62	2240670	Nut M10 AISI 316L	4	T221*
63	2240101	Hub pin AISI 316L	4	(a) T265*
64	1500470	Shaft protection	1	
65	850252	Bolt TCEI M8x12	3	SS T88*
66	390315	Washer	3	SS
67	200390	Ring Øi 62	2	
68	160740	Ring seal	2	
69	680020	Support	1	
70	851360	O-ring Ø 120.32x2.62	1	
71	230350	Bearing	1	
72	160673	Bolt TE M10x25	6	SS T309*
73	540040	Retaining washer	2	
74	750130	Ring piston rod	2	
75	750090	Bearing	2	
76	750174	Shaft C/C m-AV	1	AR160LFP
85	43067	Air chamber LFP BlueFlex™	1	

(a) Bolt piston side with Loctite 242 Strong and lubricate between the retaining washer and diaphragm with Molykote grease 1000.

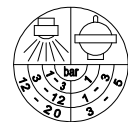
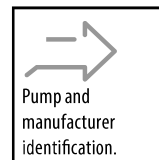
* Torque: in-lbs +/- 10%

AR 43259 BlueFlex diaphragms	
Pos.	Qty
9	8
30	4
52	1

AR 43169 Valves	
Pos.	Qty
15	8
16	8

AR 43170 O-Rings			
Pos.	Qty	Pos.	Qty
5	2	61	1
9	8	65	2
16	1	69	1
21	1	74	1
25	2		
53	1		

Suggested oil	
Type	Oz
AR64532D	32
Crankcase Oil Capacity 56 oz	



2154700 Air chamber decal