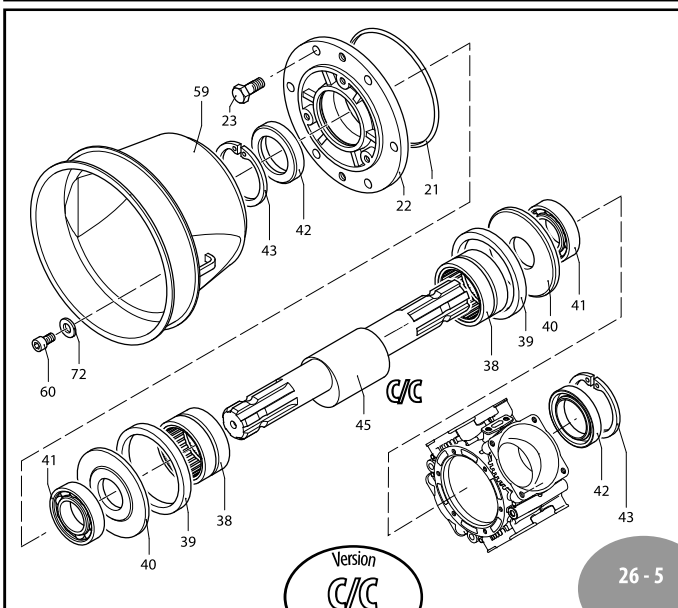
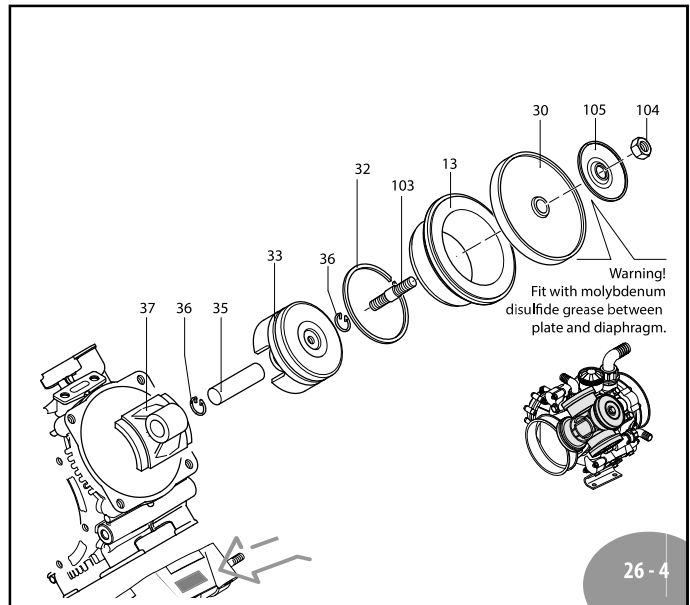
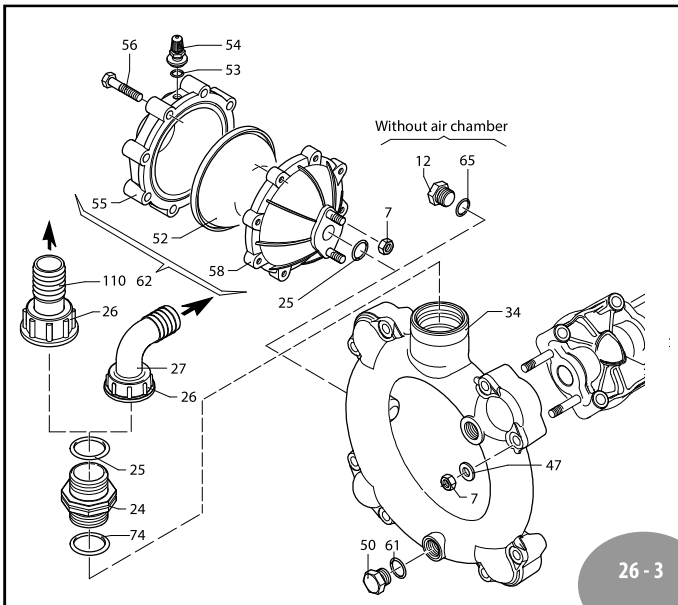
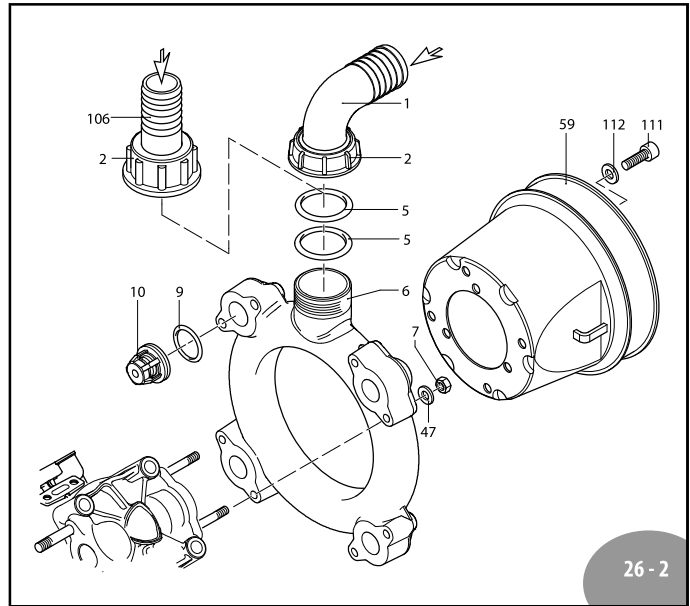
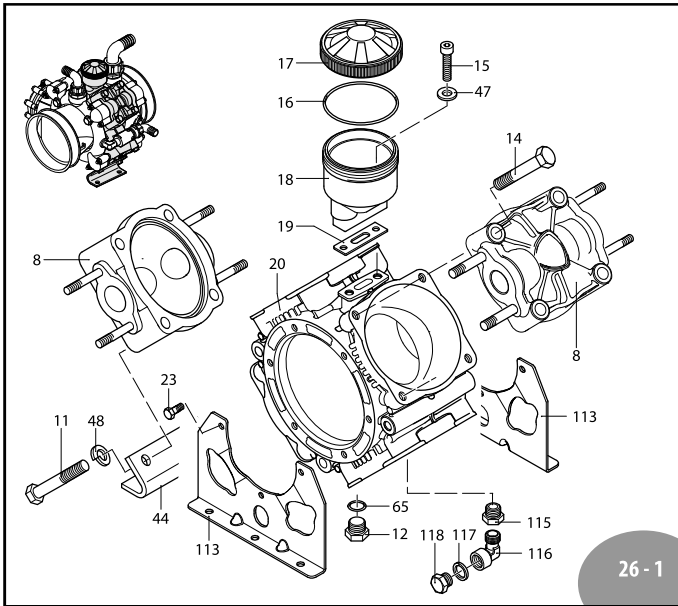


# A.R. NORTH AMERICA

## AR 160 bp - AR 185 bp



# AR 160 bp - AR 185 bp

	C/C
AR160bp	31714
AR185bp	31715

Low pressure

Pos	Code	Description	Qty	Note
1	3040440	Elbow 2"	1	
2	3040450	Ring nut 2" G	1	
5	3040470	O-ring Ø 39.3x2.6	2	
6	760750	Manifold suction	1	
7	380242	Nut M8	18	Geomet T180*
8	751350	Head black plasticized	4	
9	680070	O-ring Ø 31.5x4.25	8	
10	759051	Valve	8	
11	750071	Bolt TE M12x70	4	Geomet T445*
12	880530	Plug 3/8" G	2	T180*
13	750110	Sleeve	4	AR 160 bp
	750115	Sleeve	4	AR 185 bp
14	750061	Bolt TE M12x65	16	Geomet T445*
15	680350	Bolt TCEI M8x35	2	T90*
16	1040060	O-ring Ø 72.69x2.62	1	
17	1800060	Plug black	1	AR 160 bp
	750050	Plug red	1	AR 185 bp
18	750030	Oil sight glass	1	
19	750040	Gasket	1	
20	761010	Pump body	1	
21	851360	O-ring Ø 120.32x2.62	1	
22	680020	Support	1	
23	160672	Bolt TE M10x25	6	Geomet T310*
24	751130	Fitting 1"1/2 G M-M	1	
25	390290	O-ring Ø 29x3	2	
26	750670	Ring nut 1 1/2" G	1	
27	750660	Elbow 1 1/2"	1	AR 160 bp
	751200	Elbow 1 1/4"	1	AR 185 bp
28	2420181	Support	1	
29	650640	Bolt TCEI M10x25	6	Geomet T310*
30	550081	Diaphragm	4	BlueFlex
	550080	Diaphragm	4	NBR
	550084	Diaphragm	4	Viton
	550085	Diaphragm	4	Desmopan
	550086	Diaphragm	4	HPDS
32	500260	Piston ring	4	
33	750122	Piston Ø 80	4	
34	760760	Manifold manifold	1	
35	160700	Pin	4	
36	160691	Ring circlip Øi 18	8	
37	760140	Connecting-rod	4	
38	750090	Bearing	2	
39	750130	Ring connecting rod	2	
40	540040	Retaining washer	2	
41	230350	Bearing	2	
42	160740	Ring seal	2	
43	200390	Ring circlip Øi 62	2	
44	760201	Base	2	
45	750170	Shaft marked AU	1	AR 160 bp C/C
	750174	Shaft marked AV	1	AR 185 bp C/C
47	380243	Washer	18	Geomet
48	250143	Washer	4	Geomet

Pos	Code	Description	Qty	Note
50	330173	Plug 1/2" G	1	Geomet T180*
51	550194	Diaphragm air chamber	1	Blueflex
	550190	Diaphragm air chamber	1	NBR
	550191	Diaphragm air chamber	1	Saturflon
	550192	Diaphragm air chamber	1	Viton
	550193	Diaphragm air chamber	1	HPDS
53	650542	Gasket	1	
54	180020	Air valve	1	T25*
55	620232	Semi air chamber upper	1	Black
56	621781	Bolt TE M8x40	8	Geomet T180*
58	680180	Semi air chamber lower	1	
59	1500470	Shield	2	
60	850251	Bolt TCEI M8x12	3	Geomet T180*
60	750170	Sleeve	6	AR160
61	180101	O-ring Ø 17.5x2	1	
62	629230	Air chamber BlueFlex™	1	
	629216	Air chamber NBR	1	
65	740290	O-ring Ø 14x1.78	2	
72	390314	Washer	3	Geomet
74	751140	O-ring Ø 47.22x3.53	1	
76	750110	Shaft	1	AR160
78	620330	Ring circlip Øi 65	1	
79	1800090	Ring seal	1	
80	230310	Bearing	1	
81	760510	Retaining washer	1	
103	2240100	Hub pin	4	T265*
104	2240110	Nut M10 SS	4	T220*
105	751250	Retaining washer	4	
106	760950	Hose barb Ø 40	1	Optional AR 160 bp
	760570	Hose barb Ø 50	1	Optional AR 185 bp
110	760920	Hose barb Ø 25	1	Optional AR 160 bp
	760940	Hose barb Ø 35	1	Optional AR 185 bp
111	820673	Bolt TCEI M10X16	3	Geomet
112	320621	Washer	3	Geomet
113	761031	Base	2	
115	1040491	Fitting 3/8" G M-F	1	
116	900210	Fitting 3/8" G M-F	1	
117	2260200	Washer	1	
118	2281270	Plug 3/8" G	1	T180*
119	1300280	Spacer	3	
120	760360	Guard	1	
121	320621	Washer	3	Geomet
122	650640	Bolt TCEI M10x25	3	Geomet T90*

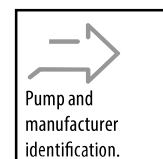
\* Torque: in-lbs +/- 10%

<b>AR 43259</b> BlueFlex diaphragms	
<b>AR 43256</b> Buna diaphragms	
<b>AR 43258</b> HPDS diaphragms	
<b>AR 43257</b> Desmopan diaphragms	
Pos.	Qty
9	8
30	4
52	1

<b>AR 2374</b> Valves	
Pos.	Qty
9	8
10	8

<b>AR 42510</b> O-Rings			
Pos.	Qty	Pos.	Qty
5	2	61	1
9	8	65	2
16	1	69	1
21	1	74	1
25	2		
53	1		

<b>Suggested oil</b>	
Type	Oz
AR64532D	32
Crankcase Oil Capacity 56 oz	



2154700 Air chamber decal