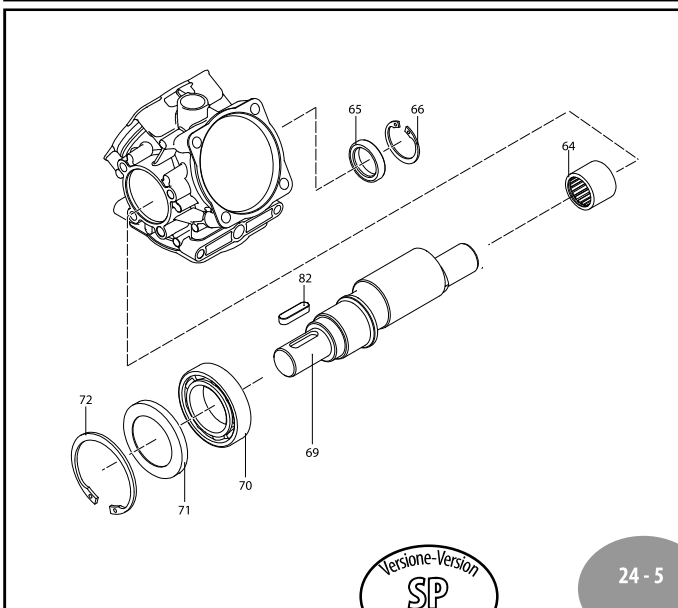
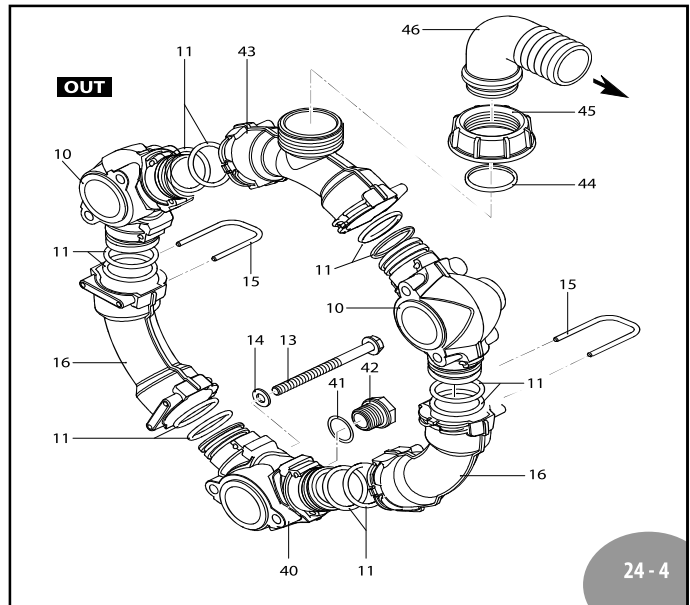
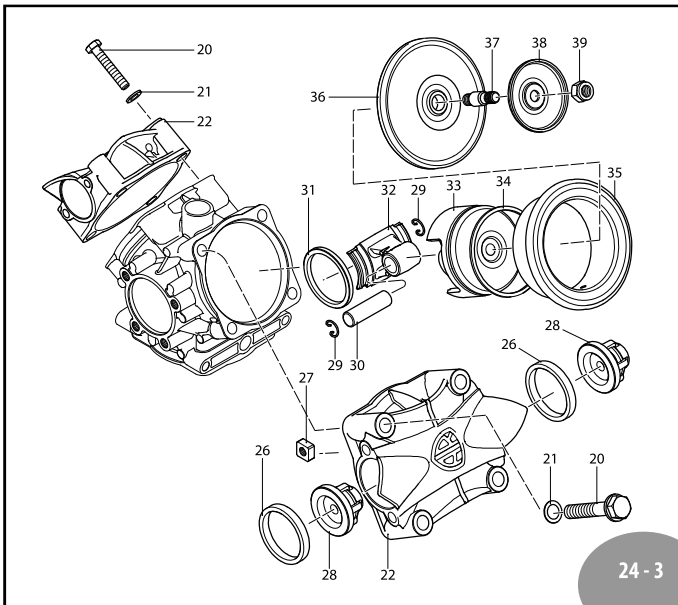
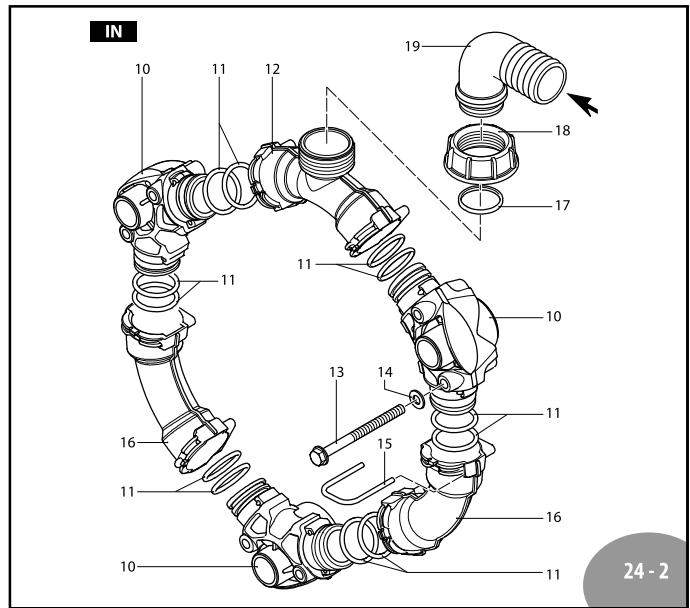
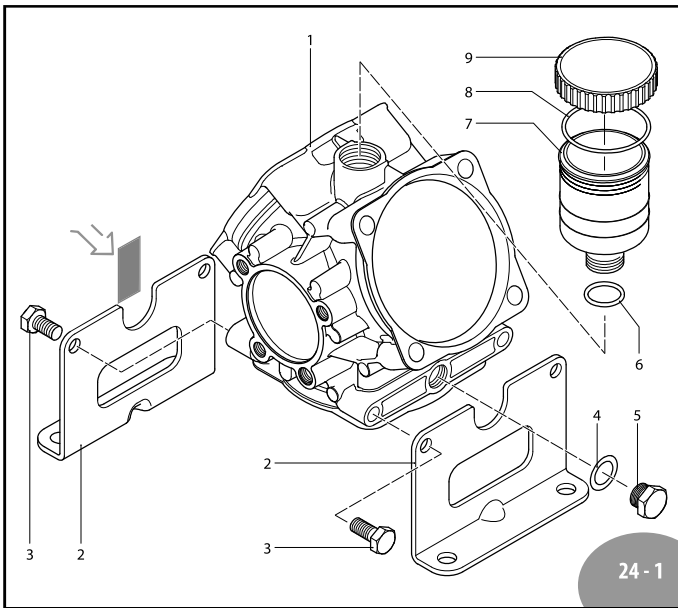


A.R. NORTH AMERICA

AR120LFP - SP / AR140LFP - SP



AR120LFP - SP / AR140LFP - SP

	SP
AR120LFP	33090
AR140LFP	33091

Low pressure

Pos	Code	Description	Qty	Note
1	3460010	Pump body	1	
2	3460100	Base	2	
3	160673	Bolt TE M10x25	4	SS T265*
4	740290	O-ring Ø 14x1.78	1	
5	880530	Plug 3/8" G	1	T177*
6	720030	O-ring Ø 22.22x2.62	1	
7	3120240	Oil sight glass	1	T177*
8	650920	O-ring Ø 53.65x2.62	1	
9	1040324	Plug Red	1	
10	346030	Manifold	5	
11	2680141	O-ring Ø 32.93x3.53	24	Viton
12	3460050	Manifold Suction	1	
13	3460201	Bolt TE M8x100	12	SS T106*
14	390315	Washer	12	SS
15	3460210	Fork	12	
16	3460040	Manifold	4	
17	1880460	O-ring Ø 29x3	1	Viton
18	750670	Ring nut 1-1/2" G	1	
19	50267	Elbow Ø 40	1	
20	750072	Bolt TE M12x70	12	SS T310*
21	390092	Washer	12	SS
22	3460020	Head	3	
26	3460380	Gasket	6	Viton
27	3120510	Nut M8	12	SS
28	2429051	Valve AISI 316L	6	
29	380080	Ring nut seeger Øi 14	6	
30	380300	Pin	3	
31	3460090	Ring	2	
32	3460080	Connecting-rod	3	
33	580120	Piston Ø 80	3	
34	500260	Piston ring	3	
35	750110	Sleeve	3	AR 140
35	750117	Sleeve	3	AR 120
36	550080	Diaphragm	3	BlueFlex TM
37	2240101	Hub pin AISI 316L	3	T265* (a)
38	580090	Retaining washer	3	
39	224067	Nut M10 AISI 316L	3	T221*
40	3460031	Manifold	1	
41	1140451	O-ring Ø 20.24x2.62	1	Viton
42	3460220	Plug 1/2" G	1	T88*
43	3460060	Manifold mandate 3	1	
44	880311	O-ring Ø 26.65x2.62	1	Viton
45	651100	Ring nut 1-1/4" G	1	
46	651460	Elbow Ø 25	1	
64	3460110	Bearing	1	
65	1300230	Ring Seal	1	
66	480900	Ring seeger Øi 35	1	
69	3460260	Shaft marked DV	1	AR140
69	3460250	Shaft marked DU	1	AR120
70	961781	Bearing	1	
71	3120160	Ring Seal	1	
72	961790	Ring seeger Øi 68	1	
82	2460480	Key	1	(d)

- (a) Bolt piston side with Loctite 242 Strong threadlock and lubricate the side Retaining washer with Molykote grease 1000.
 (b) Bolt the valve until it bottoms on the elbow.
 (c) Attention! Assemble with grease between the Retaining washer and the diaphragm.
 * Torque: in-lbs +/- 10%

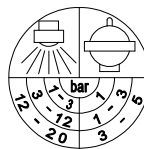
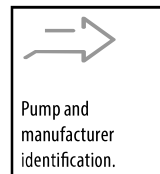
AR 43252 NBR diaphragms	
AR 43255 BlueFlex diaphragms	
AR 43253 Desmopan diaphragms	
AR 43254 Viton diaphragms	
Pos.	Qty
26	6
36	3
52	2
54	1

AR 42805 Valves	
AR 43138 LFP Valves	
Pos.	Qty
26	6
28	6

AR 42830 O-Rings			
AR 43139 LFP O-Rings			
Pos.	Qty	Pos.	Qty
4	1	44	1
6	1	52	2
8	1	59	1
11	24	61	1
17	1	81	1
41	1		

Suggested oil	
Type	Oz
AR64532D	32

Crankcase Oil
Capacity 28 oz



2154700 Air chamber decal