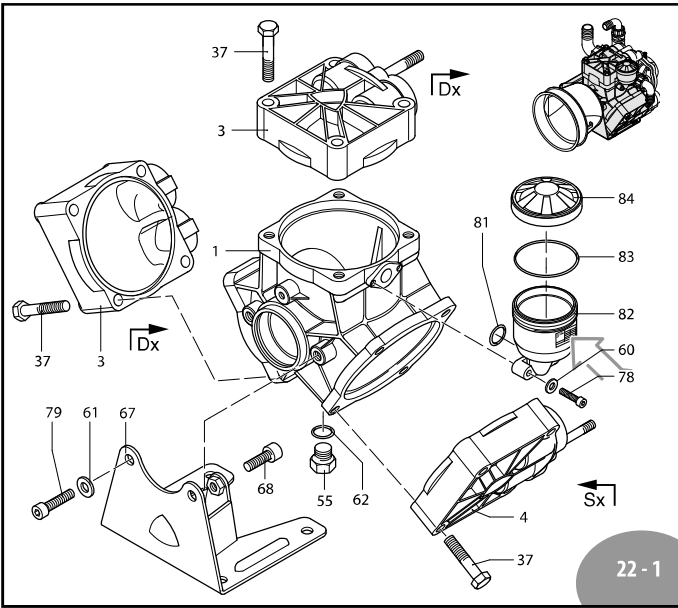
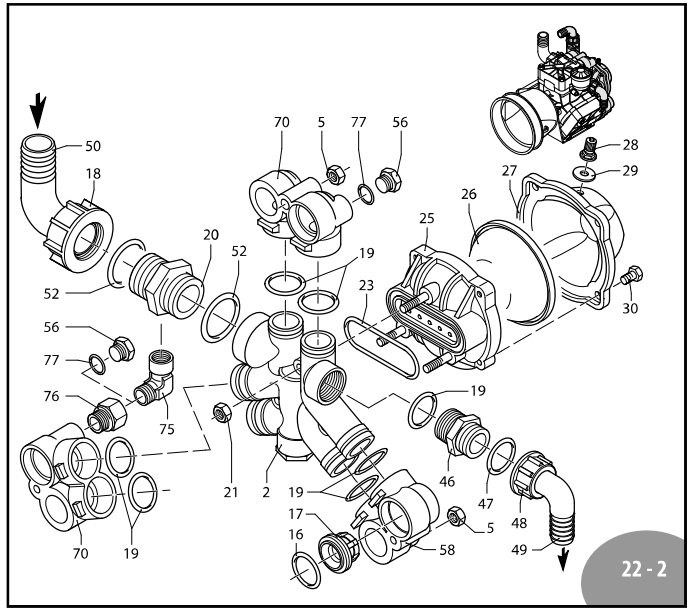


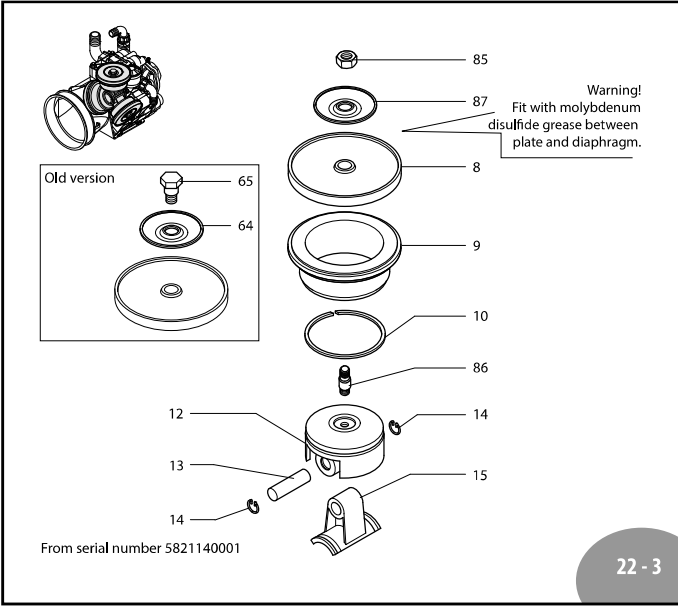
# AR 115 bp - AR 135 bp - AR 115 bp/1000 RPM



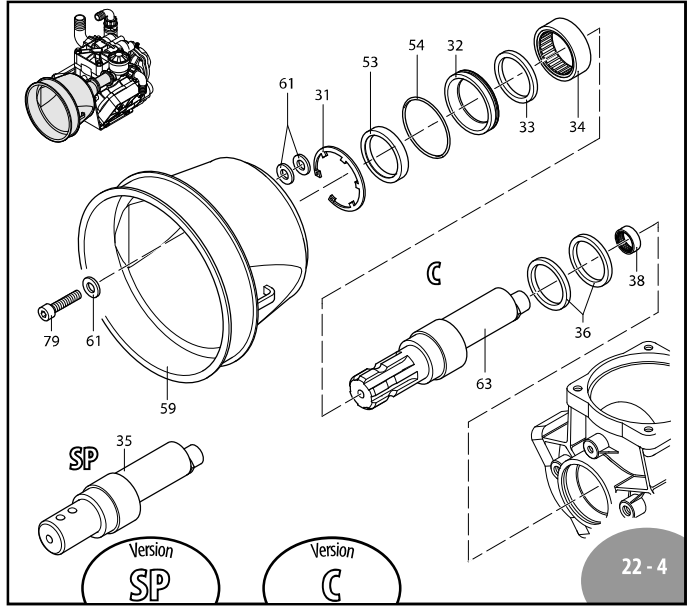
22 - 1



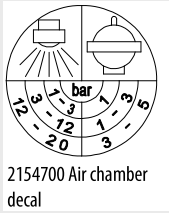
22 - 2



22 - 3



22 - 4








2154700 Air chamber decal






# AR 115 bp - AR 135 bp - AR 115 bp/1000 RPM

	C	SP	C1000	GR3/4	GRI
AR115bp	31701	31702	31709	31704	
AR135bp	31705	31706		31708	33142

Low pressure

Pos	Code	Description	Qty	Note
1	580013	Pump body	1	
2	580150	Manifold	1	
3	550101	Head marked dx	2	
4	550102	Head marked sx	1	
5	180152	Nut M10	3	Geomet T355*
	550081	Diaphragm	3	BlueFlex™
	550080	Diaphragm	3	NBR
	550084	Diaphragm	3	Viton
	550086	Diaphragm	3	HPDS
	550085	Diaphragm	3	Desmopan
	580110	Sleeve	3	AR115bp
	580350	Sleeve	3	AR135bp
	580112	Sleeve	3	AR115bp/1000
	10	500260	Piston ring	3
12	580120	Piston Ø 80	3	
13	380300	Pin	3	
14	380080	Ring circlip Øi 14	6	
15	580140	Connecting-rod	3	
16	320030	O-ring Ø 31.5x4.5	6	90Sh
	759051	Valve	6	AR115bp AR135bp
	589050	Valve	6	AR115bp/1000
18	540541	Ring nut 1" 3/4 G	1	
19	390291	O-ring Ø 28.25x2.62	7	
20	540530	Fitting 1"1/4G-1"3/4GM-M	1	
21	390271	Nut M8	3	Geomet T180*
23	580050	Gasket	1	
25	580180	Semi air chamber lower	1	Black
	550194	Diaphragm air chamber	1	Blueflex™
	550190	Diaphragm air chamber	1	NBR
	550192	Diaphragm air chamber	1	Viton
	550193	Diaphragm air chamber	1	HPDS
	27	550233	Semi air chamber upper	1
28	550300	Air valve	1	T25*
29	650542	Gasket	1	
30	550680	Bolt TE M8x20	4	Geomet T180*
31	200391	Ring circlip Øi 62	1	
32	550470	Bushing seal ring	1	
33	550070	Washer	1	
34	550060	Bushing	1	
	550170	Shaft marked AL	1	AR115bp SP
	580380	Shaft marked AT	1	AR135bp SP
36	580470	Ring connecting rod	2	
37	551040	Bolt TE M10x55	12	Geomet
38	550310	Bushing	1	
46	550340	Fitting 1" G M-M	1	
47	550350	O-ring Ø 23.81x2.62	1	
48	550242	Ring nut 1" G	1	
49	550370	Elbow 1"	1	
50	540550	Elbow 1 1/2"	1	
52	250310	O-ring Ø 36.14x2.62	2	

Pos	Code	Description	Qty	Note
53	550491	Ring seal	1	
54	650920	O-ring Ø 53.65x2.62	1	
55	880530	Plug 3/8" G	1	T180*
56	330173	Plug 1/2" G	1	Geomet T180*
58	580072	Fitting	1	
59	1500350	Shield	1	
60	550332	Washer	2	Geomet
61	320621	Washer	5	Geomet
62	740290	O-ring Ø 14x1.78	1	
	550173	Shaft marked AM	1	AR115bp C
	580330	Shaft marked AS	1	AR135bp C
	550176	Shaft marked AP	1	AR115bp/1000
64	580370	Retaining washer hole Ø 14	3	(b)
65	580360	Hub pin	3	(b) T180*
	580080	Base	1	AR115bp AR135bp
	580082	Base	1	AR115bp/1000
68	540301	Bolt TCEI M10x30	1	Geomet T355*
70	580400	Fitting	2	
75	881560	Fitting 1/2" G M-F	1	
76	580421	Fitting M-F 1/2"	1	T180*
77	180101	O-ring Ø 17.5x2	1	
78	850851	Bolt TCEI M6x30	2	Geomet T90*
79	620472	Bolt TCEI M10x20	3	Geomet T90*
81	390180	O-ring Ø 18.72x2.62	1	
82	1040310	Oil sight glass	1	
83	650920	O-ring Ø 53.65x2.62	1	
	1040326	Plug black	1	AR115bp
	1040324	Plug red	1	AR135bp
	1040325	Plug green	1	AR115bp/1000
85	2240110	Nut M10	3	(a) T265*
86	2240100	Hub pin	3	(a) T265*
87	580371	Retaining washer hole Ø 10	3	(a)

(a) From serial number 5821140001.  
 (b) Up to serial number 5820149999.

\* Torque: in-lbs +/- 10%

<b>AR 43251</b> BlueFlex diaphragms	
<b>AR 43248</b> NBR diaphragms	
<b>AR 43249</b> Desmopan diaphragms	
Pos.	Qty
8	3
16	6
26	1

<b>AR 2370</b> AR115bp - AR135bp Valves	
Pos.	Qty
16	6
17	6

<b>AR 2026</b> O-Rings	
Pos.	Qty
16	6
19	7
29	1
47	1
52	1
54	1
66	1
81	1
83	1

<b>Suggested oil</b>	
Type	Oz
AR64532D	32
Crankcase Oil Capacity 32 oz	

