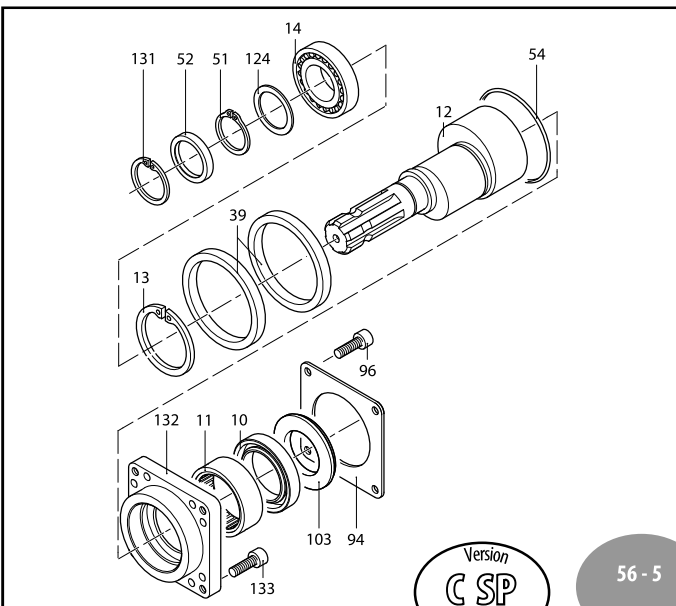
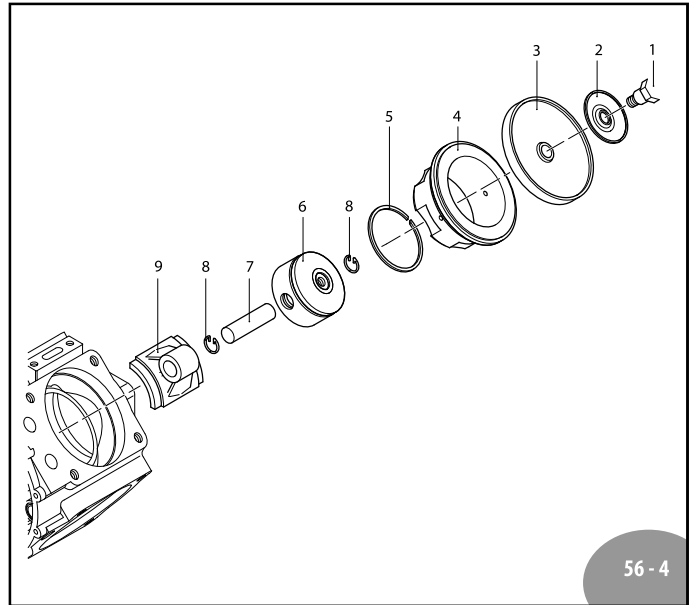
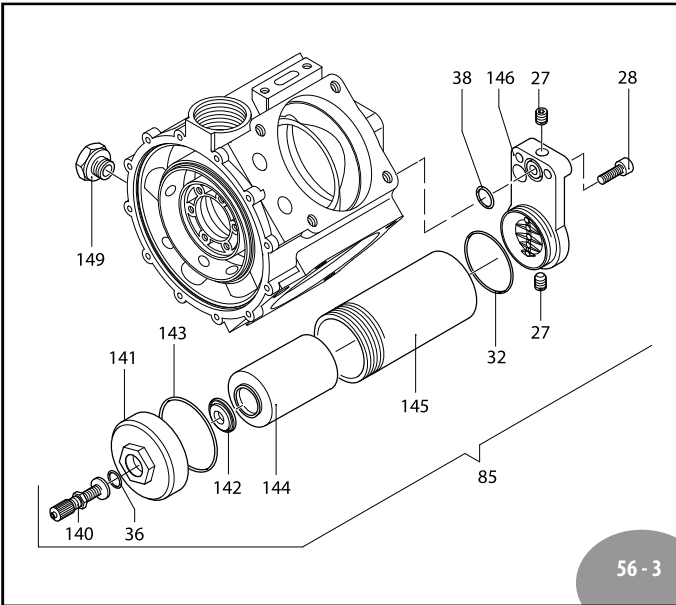
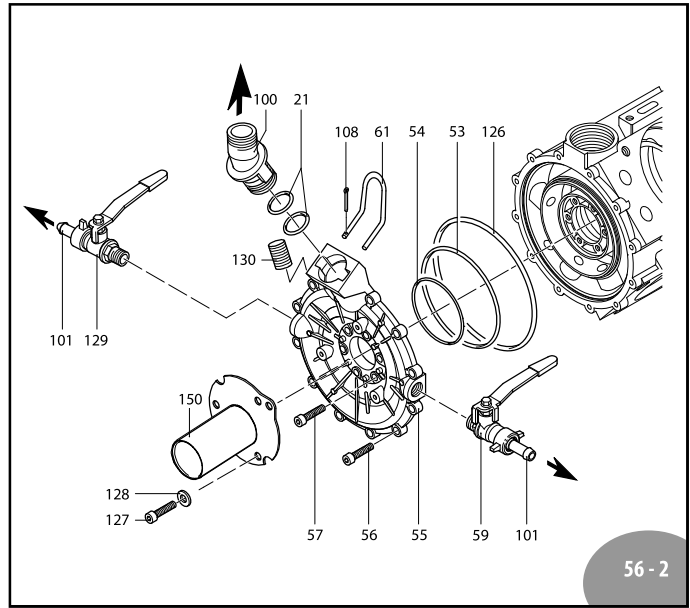
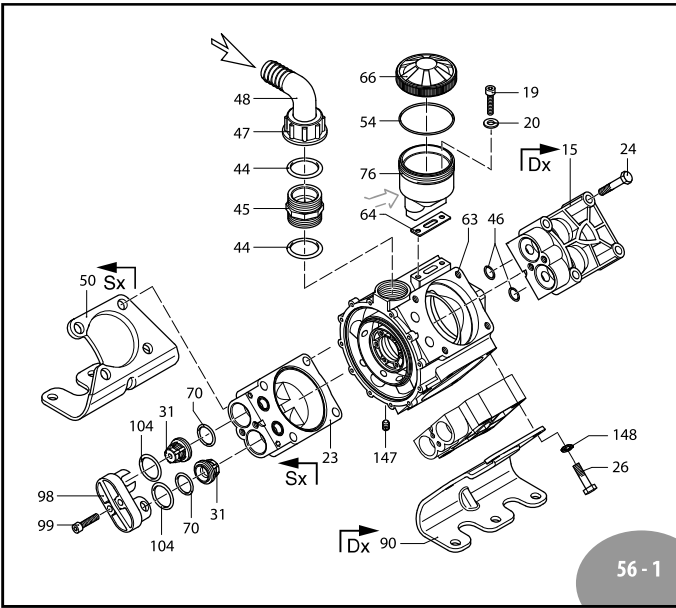


A.R. NORTH AMERICA

AR 1064



AR 1064

	C/C	C/SP
AR1064	31753	31754

Pos	Code	Description	Qty	Note
1	580361	Hub pin	4	T265*
2	1040180	Retaining washer	4	
3	1040083	Diaphragm Øe 105	4	BlueFlex™
4	1500080	Sleeve	4	
5	650190	Piston ring	4	
6	1040120	Piston Ø63	4	
7	1040070	Pin	4	
8	1040270	Ring seeger Øi 15	8	
9	1800050	Connecting-rod	4	
10	1400150	Ring tenuta	1	
11	650200	Bearing	1	
12	1800200	Shaft marcato 34	1	
13	161050	Ring seeger Øi 72	1	sp.2,5
14	1800170	Bearing	1	
15	1040551	Head dx	2	
19	680350	Bolt TCEI M8x35	2	T90*
20	380241	Washer	2	
21	390180	O-ring Ø 18,72x2,62	2	
23	1040552	Head sx	2	
24	1480040	Bolt TE M12x60	8	T445*
26	750060	Bolt TE M12x65	8	T445*
27	1040470	Bolt M10x8	2	SS T180*
28	320360	Bolt TCEI M8x22	2	T180*
31	1409050	Valve	8	
32	540360	O-ring Ø 44,12x2,62	1	
36	650542	Gasket	1	
38	640070	O-ring Ø 13,95x2,62	1	
39	1040340	Ring biella	2	
44	250310	O-ring Ø 36,14x2,62	2	
45	540530	Fitting 1"1/4 G - 1"3/4 GM-M	1	
46	960160	O-ring Ø 17,86x2,62	8	
47	540540	Ring nut 1" 3/4 G	1	
48	540550	Elbow Ø40	1	
50	1820080	Base sx	1	
51	1040570	Ring seeger Øe 35	1	
52	1040050	Ring tenuta	1	
53	1800161	O-ring Ø 113,97x2,62	1	Viton
54	1040060	O-ring Ø 72,69x2,62	3	
55	1800150	Manifold asp./mandata	1	
56	1040370	Bolt TCEI M6x22	12	T90*
57	780060	Bolt TCEI M6x25	6	T90*
59	130491	Valve 3/8" G - 1/2" G M-DX	1	T180*
61	1040690	Fork	1	
63	1820040	Pump body	1	
64	750040	Gasket	1	
66	1800060	Plug nero	1	
70	620030	O-ring Ø 25,80x3,53	8	
76	750030	Oil sight glass	1	
85	1538	Air chamber	1	
90	1820070	Base dx	1	

Pos	Code	Description	Qty	Note
94	1400140	Flange	1	
96	820670	Bolt TCEI M10x16	4	
98	1300190	Plug	1	T90*
99	620610	Bolt TCEI M8x30	8	
100	1040761	Fitting 3/4" NPT (M)	1	T180*
101	110130	Ring nut 1/2" G	2	
103	1400110	Ring	1	
104	540361	O-ring Ø 33,05x1,78	2	
108	1040950	Split pin	1	
124	1040850	Spacer	1	
126	1400120	O-ring Ø 145,72x2,62	1	
127	1343510	Bolt TCEI M6x14	3	
128	881710	Washer	3	
129	130492	Valve 3/8" G - 1/2" GM-MSX	1	
130	1800240	Bolt	1	
131	1460490	Ring seeger Øi 47	1	T180*
132	1800210	Flange	1	T180*
133	180030	Bolt TCEI M8x20	8	
140	1800350	Air valve	1	
141	1800270	Cover	1	T180*
142	1800311	Retaining washer	1	
143	650560	O-ring Ø 56,82x2,62	1	T180*
144	1800300	Diaphragm camera aria	1	
145	1800280	Hose barb	1	
146	1800320	Fitting	1	NBR
147	1820030	Bolt M10x12	1	
148	250141	Washer	8	
149	880530	Plug 3/8" G	1	SS T180*
150	760360	Guard	1	
132	1800210	Flange	1	
133	180030	Bolt TCEI M8x20	8	T180*
134	1800230	Spacer	1	
135	1800220	Flange	1	
137	230310	Bearing	1	
138	200150	Ring seal	1	
139	1800120	Flange	1	
140	1800350	Air valve	1	
141	1800270	Cover	1	T180*
142	1800311	Retaining washer	1	
143	650560	O-ring Ø 56,82x2,62	1	
144	1800300	Diaphragm air chamber	1	
145	1800280	Hose barb	1	
146	1800320	Fitting	1	
147	1820030	Bolt M10x12	1	
148	250141	Washer	8	
149	880530	Plug 3/8" G	1	SS T180*
150	760360	Guard	1	

*Torque: in-lbs +/- 10%

High pressure

AR 43302 Buna diaphragms	
AR 43305 BlueFlex™ diaphragms	
AR 43303 Desmopan diaphragms	
AR 43304 Viton diaphragms	
Pos.	Qty
3	4
38	1
46	8
143	1
144	1

AR 1964 Valves	
Pos.	Qty
31	8
70	8

AR 43022 O-Rings			
Pos.	Qty	Pos.	Qty
21	2	143	1
32	1		
38	1		
44	2		
46	8		
53	1		
54	3		
70	8		
104	8		
126	1		

Suggested oil	
Type	Quart
AR64532D	32
Crankcase Oil Capacity 30 oz	

