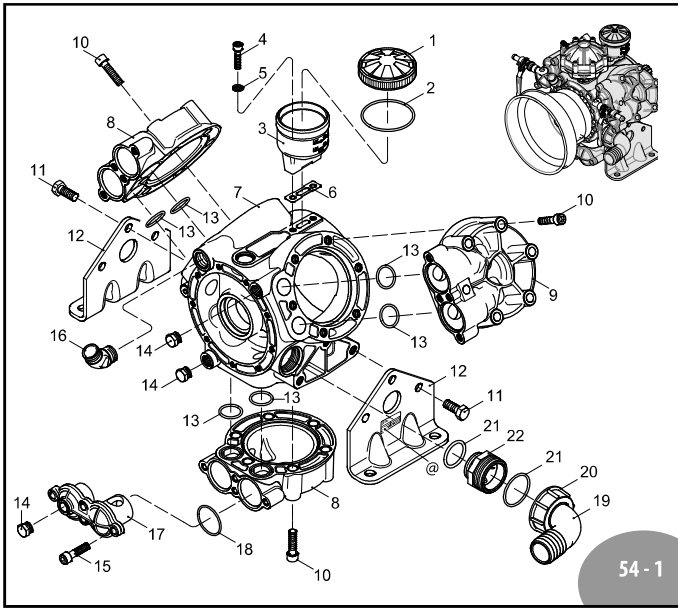
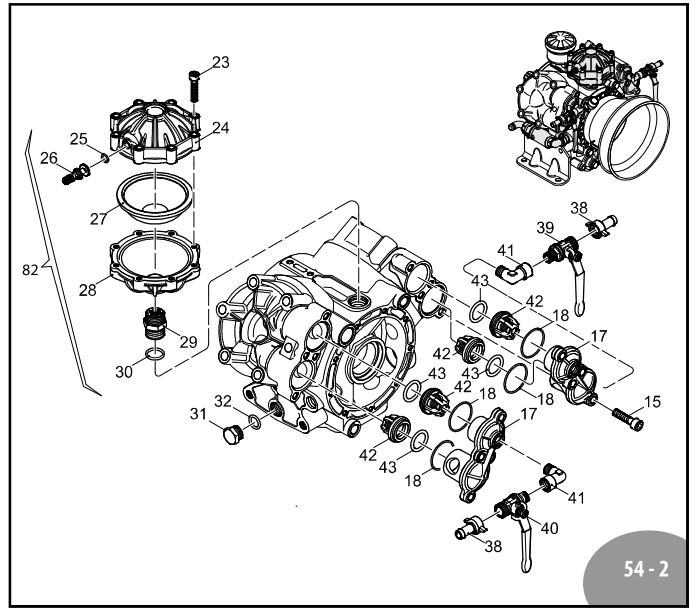


A.R. NORTH AMERICA

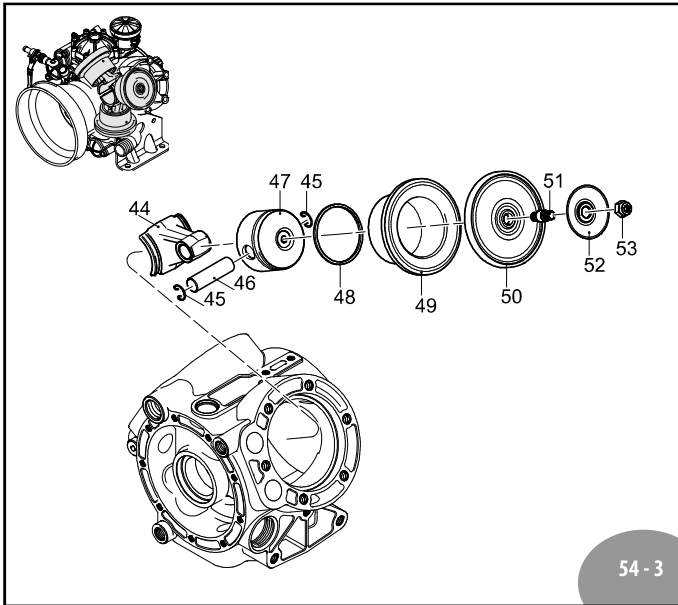
AR 1053 - AR 1203



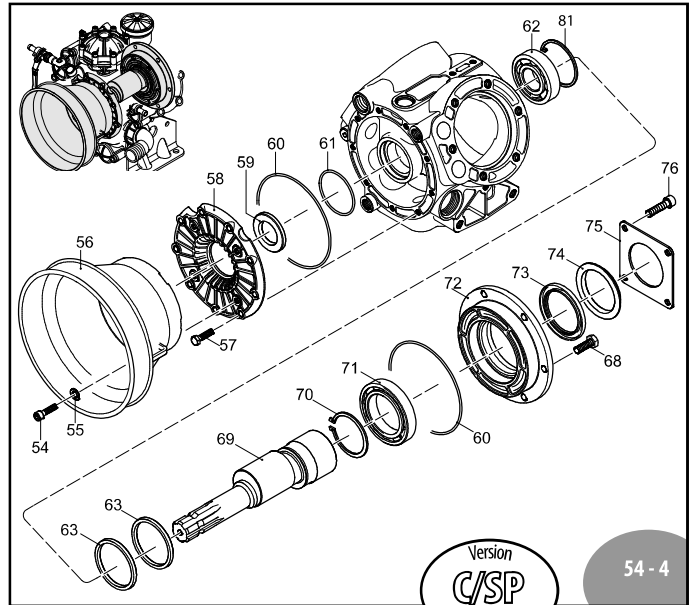
54 - 1



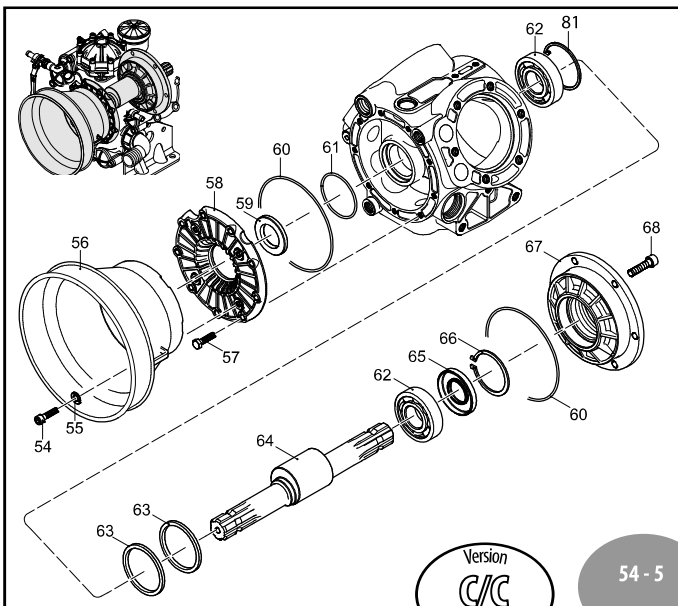
54 - 2



54 - 3



54 - 4



54 - 5



AR 1053 - AR 1203

	C/C	C/SP
AR1053	31755	31756
AR1203	31757	31758

Pos	Code	Description	Qty	Note
1	1800060	Plug black	1	AR 1053
	750050	Plug red	1	AR 1203
2	1040060	O-ring Ø 72.69x2.62	1	
3	750030	Oil sight glass	1	
4	680350	Bolt TCEI M8x35	2	T90*
5	380241	Washer	2	
6	750040	Gasket	1	
7	2680010	Pump body	1	
8	2680030	Head marked DX	2	
9	2680031	Head marked SX	1	
10	750070	Bolt TE M12x70	18	T445*
11	540210	Bolt TE M12x25	6	T445*
12	2680100	Base	2	
13	1520650	O-ring Ø 29.82x2.62	6	
14	130171	Plug 3/8" G	3	T180*
15	540300	Bolt TCEI M10x30	12	T310*
16	851650	Elbow manifold	1	
17	2680040	Cover	3	
18	2680150	O-ring Ø 42.52x2.62	6	
19	540550	Elbow 1 1/2"	1	
20	540540	Ring nut 1" 3/4 G	1	
21	250310	O-ring Ø 36.14x2.62	2	
22	540530	Fitting 1" 1/4 G - 1" 3/4 G M-M	1	
23	380410	Bolt TCEI M8x40	8	T180*
24	620234	Semi air chamber upper	1	Anodized
25	650542	Gasket	1	
26	180020	Air valve	1	
27	550190	Diaphragm air chamber	1	NBR
	550194	Diaphragm air chamber	1	BlueFlex™
28	2240481	Semi air chamber lower	1	
29	2240490	Fitting	1	T180*
30	720030	O-ring Ø 22.22x2.62	1	
31	820361	Plug 1/2" G brass	1	T180*
32	180101	O-ring Ø 17.5x2	1	
38	110131	Ring nut 1/2"	2	
39	130491	Ball valve 3/8" G - 1/2" G M-M DX	1	
40	130492	Ball valve 3/8" G - 1/2" G M-M SX	1	
41	900210	Fitting 3/8" G M-F	2	
42	2689050	Valve	6	1053/1203
43	180240	O-ring Ø 31.34x3.53	6	
44	2680090	Connecting-rod	3	AR 1053/1203
45	160691	Ring circlip Ø 18	6	
46	260700	Pin	3	
47	2240060	Piston Ø 72	3	
48	260230	Piston ring	3	
49	2680070	Sleeve	3	AR 1053
	2680080	Sleeve	3	AR 1203

Pos	Code	Description	Qty	Note
50	550080	Diaphragm	3	NBR
	550081	Diaphragm	4	BlueFlex™
	550084	Diaphragm	3	Viton
	550085	Diaphragm	3	Desmopan
	550086	Diaphragm	3	HPDS
51	2240100	Hub pin	3	(a) T265*
52	580090	Retaining washer	3	
53	2240110	Nut M10	3	SST265*
54	850250	Bolt TCEI M8x12	4	T180*
55	390311	Washer	4	
56	1500350	Shield	1	Ø 199 mm
	1500470	Shield	1	Ø 239 mm
57	180370	Bolt TE M8x25	9	T180*
58	2680050	Manifold suction	1	
59	2680110	Ring seal	1	
60	1400120	O-ring Ø 145.72x2.62	2	
61	2240270	O-ring Ø 67.95x2.62	1	
62	230350	Bearing	2	
63	2240540	Ring connecting rod	2	
64	2680180	Shaft C/C m-CB	1	AR 1053
	2680190	Shaft C/C m-CC	1	AR 1203
65	2680120	Ring seal	1	
66	161050	Ring circlip Ø 72	1	
67	2680020	Flange	1	
68	160670	Bolt TE M10x25	6	T355*
69	2680260	Shaft C/SP m-CL	1	AR 1053
	2680270	Shaft C/SP m-CM	1	AR 1203
70	2680290	Ring circlip Ø 65	1	
71	2680280	Bearing	1	
72	2680240	Flange	1	
73	1400150	Ring seal	1	
74	1400110	Ring	1	
75	1400140	Flange	1	
76	850250	Bolt TCEI M8x12	4	T90*
78	230310	Bearing	1	
79	2680130	Ring seal	1	
80	2680021	Flange	1	
81	230340	Ring circlip Ø 80	1	
82	1527	Air chamber	1	NBR
	43071	Air chamber	1	BlueFlex™
83	2420250	Bushing	1	

* Torque: in-lbs +/- 10%

High pressure

AR 43309 BlueFlex™ diaphragms	
AR 43306 Buna diaphragms	
AR 43308 Viton diaphragms	
AR 43307 Desmopan diaphragms	
Pos.	Qty
13	6
27	1
50	3

AR 42200 Valves	
Pos.	Qty
42	6
43	6

AR 42201 O-Rings	
Pos.	Qty
2	1
13	6
18	6
21	2
30	1
32	1
35	1
43	6
60	2
61	1

Suggested oil	
Type	Oz
AR64532D	32
Crankcase Oil Capacity 59 oz	

a) Bolt with Loctite 242 strong on piston side