

# A.R. North America

## *Product Catalog*



**ANNOVI  
REVERBERI** ®

The Power of Experience

# OUR HISTORY

*Corrado Reverberi and Umberto Annovi founded **Annovi Reverberi Spa in Modena, Italy.***

*Production of Urania- the first A.R. pump.*

**1958**

*Ralph Notch founded **A.R. North America, Inc.***

**1989**

*First Asian operations office opens in **Shanghai.***

***A.R. North America, Inc.** moves into NEW 57,000 square foot warehouse in Fridley, Minnesota.*

**2004**

*A.R. North America, Inc. **Completed construction on Warehouse #3** - gained 82% for a total of 104,000 square feet.*

**2015**

***New Annovi Reverberi Headquarters & Innovation Lab** in Modena.*

**2020**

***New factory in Modena.***

*A.R. world leader in crop spraying pumps. Plunger pumps production start-up.*

**1974**

***New factory in Bomporto.***

*RKV plunger pump. Annovi Reverberi captures U.S. market.*

**1995**

*Kyle and Jon Notch take the reins at **A.R. North America, Inc.***

**2013**

*A.R. North America, Inc. **Added Diaphragm Pumps.***

**2017**

***New Annovi Reverberi Testing Room** in Modena.*

**2021**

## **Challenges, Successes, and Passion**

*"It's been an unfolding of events marked by challenges, courageous choices and some daring moves. A helter-skelter ride that has called for unwavering commitment and absolute dedication, intelligence, vigilance and sometimes, discretion and patience.*

*Whatever the situation, the journey has been thrilling and rewarding. The milestones of our success."*

**- Corrado Reverberi**



**Annovi Reverberi: More than 60 years of Italian excellence**

Founded in 1958 by Corrado Reverberi, Annovi Reverberi is still an Italian family-owned company, a mechanical engineering reality strongly linked to the territory and made up of people, ideas and innovative projects. An example of Italian entrepreneurship based on experience, innovation and passion.

A brand recognized all over the world as a symbol of top quality and Italian know-how. It's more than 60 year history has seen the Annovi Reverberi group grow considerably and become a leader in three sectors of reference: agriculture with the production of diaphragm pumps; industry through the success of AR plunger pumps and, finally, in the 90s, cleaning with the development of high-pressure washers and vacuum cleaners.



**HQ IN  
MODENA**

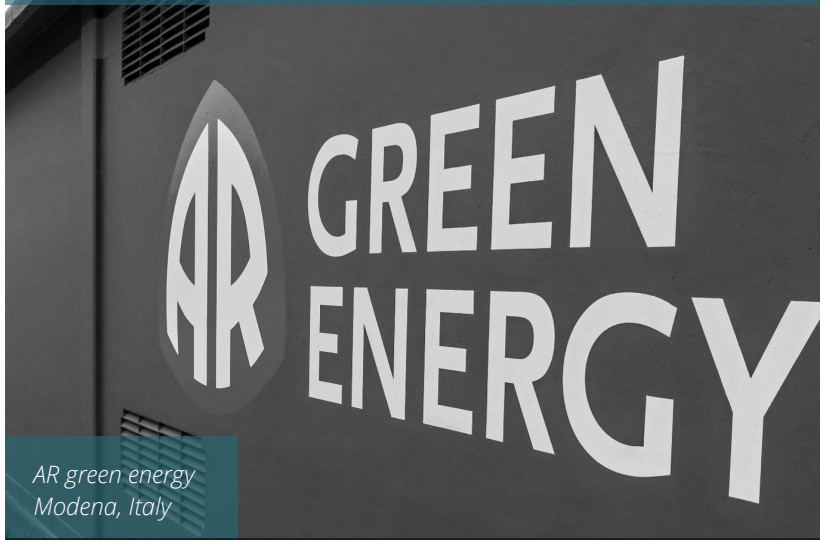


**ART**

*"Cavallo con Sfera e Numeri"  
di Mimmo Paladino.  
"Horse with Sphere and Numbers"  
by Mimmo Paladino.*

*We know how art and beauty are powerful means to channel creativity and innovation which can be transmitted throughout our workspace.*

**SUSTAINABILITY**



*AR green energy  
Modena, Italy*

*Not a concept but real actions to achieve social economic and environmental sustainability. Processes improvements to reduce environmental impact, total recycling of waste water, total recycling of industrial waste, high energy efficiency control of the new testing room, sustainable and high efficiency product development, profit reinvestment in local economy; these are only some of the actions taken by Annovi Reverberi in order to increase sustainability.*



# INNOVATION

New machining center  
Modena, Italy

**Made in Annovi Reverberi**  
*"Made in Annovi Reverberi" is a synonym of technological innovation, quality, Italian performance and corporate social responsibility. Behind every Annovi Reverberi product there are years of research, passion and patience, every pump is the result of the highest Italian quality combined with the most advanced production technologies.*

## **For every industry the plunger pump you need**

*Relentless pursuit for Quality, Technological Innovation, and product excellence is ingrained in our DNA. Our passion can be seen translated to action in our "new" state of the art machining center of excellence in Bomporto, Italy. This facility services our ever-growing pursuit for improvement in our full range of plunger pumps where our breath of line services not only cleaning but a wide variety of industries in misting, reverse osmosis, dust suppression, blasting, sanitation, hydrostatic testing, hydro excavation, firefighting, homogenization, food processing, and many more.*

*In every industry you can see the "AR difference"! Experience combined with tireless attention to detail and high-quality components, are all factors in producing and developing pumps that lead the industry standard. AR Pumps are reliable, efficient, and run quiet. Each pump feature strict tolerances, with ceramic plungers helping to reduce maintenance while providing the ultimate experience.*

# A.R. NORTH AMERICA



**NORTH AMERICA**

## **A reliable partner**

*Nestled in Fridley, MN, AR North America (ARNA) has been a beacon for Annovi Reverberi since 1989. For 30+ years ARNA has been a flexible, reliable partner source of Plunger Pumps, Diaphragm pumps, Motors, and Accessories for all North and South America. ARNA focuses on a flexible customized customer first approach by keeping stock levels high and catering to everchanging customer needs and customizations.*



# OUR MISSION

*We know how art and beauty are powerful means to channel creativity and innovation which can be transmitted throughout our workspace.*

# OUR VALUES

*We blend high quality standards and **Italian know-how** in all our products to meet our customers' needs.*



PEOPLE



TRADITION & INNOVATION



PASSION FOR QUALITY



ENVIRONMENTAL SUSTAINABILITY



PERFORMANCE & RELIABILITY



TAILORED CUSTOMIZATION

# OUR JOURNEY

*Since 1958 Annovi Reverberi has been the world's leading manufacturer of diaphragm pumps for agriculture and plunger pumps for industrial washing.*

*Today, Annovi Reverberi has a major presence in the cleaning sector thanks to its high pressure cleaners, for both private and professional use, representing pioneering solutions in the global market.*

# OUR INDUSTRIES

## **Agricultural**

- Diaphragm pumps
- Control units
- Electric motor pump assemblies
- Motor-driven pump assemblies
- 12 Volt pumps

## **Industrial**

- Plunger pumps
- Axial pumps
- Electric motor pump units
- Hydraulic drive
- Accessories

## **Cleaning**

- High Pressure Washers
- Detergents
- Accessories



Modena HQ



**ANNOVI  
REVERBERI**  
GROUP



**ANNOVI  
REVERBERI**  
The Power of Experience

Minneapolis  
Memphis



**NORTH  
AMERICA**  
When Quality Matters



Bomporto  
Reggio Emilia  
Novara



**PROXIMA**  
GENERAL PRODUCTS SALES & MARKETING



**XFORM**



**G.M. s.r.l.**  
Ghirri Motoriduttori

Shanghai



**CHINA**  
艾热中国



**PERFORMANCE  
PUMP**  
上海艾热性能泵有限公司

**XFORM**

# A.R. GROUP

50 design patents

100+ technical patents

200+ product certifications

3 Divisions

4 Manufacturing Facilities

2,300+ Distributors

100 Countries Reached

5 Continents

500 Employees





# QUALITY INSIDE

A.R. plunger pumps are compact and silent running.

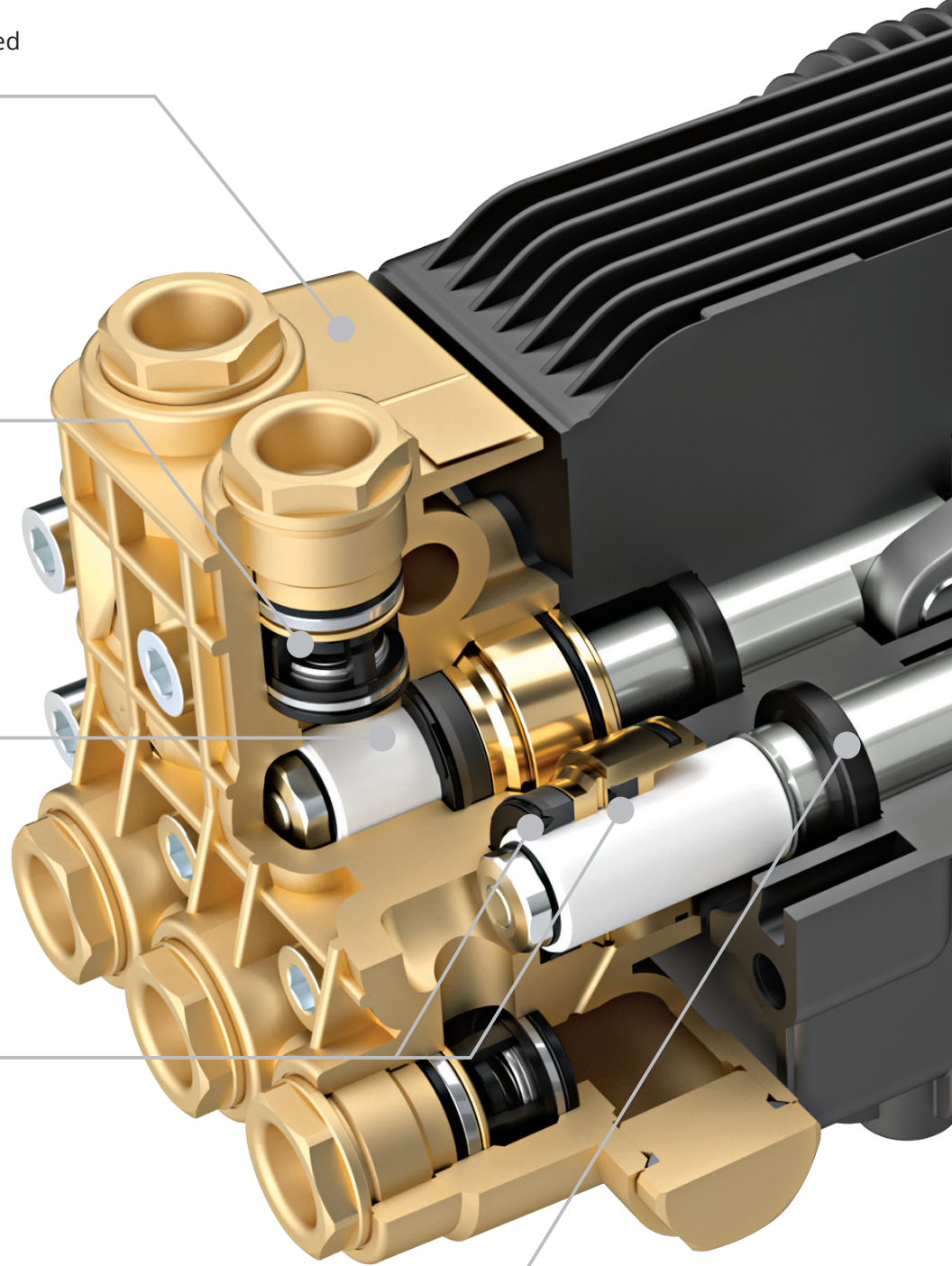
Forged brass pump head, designed for strength.

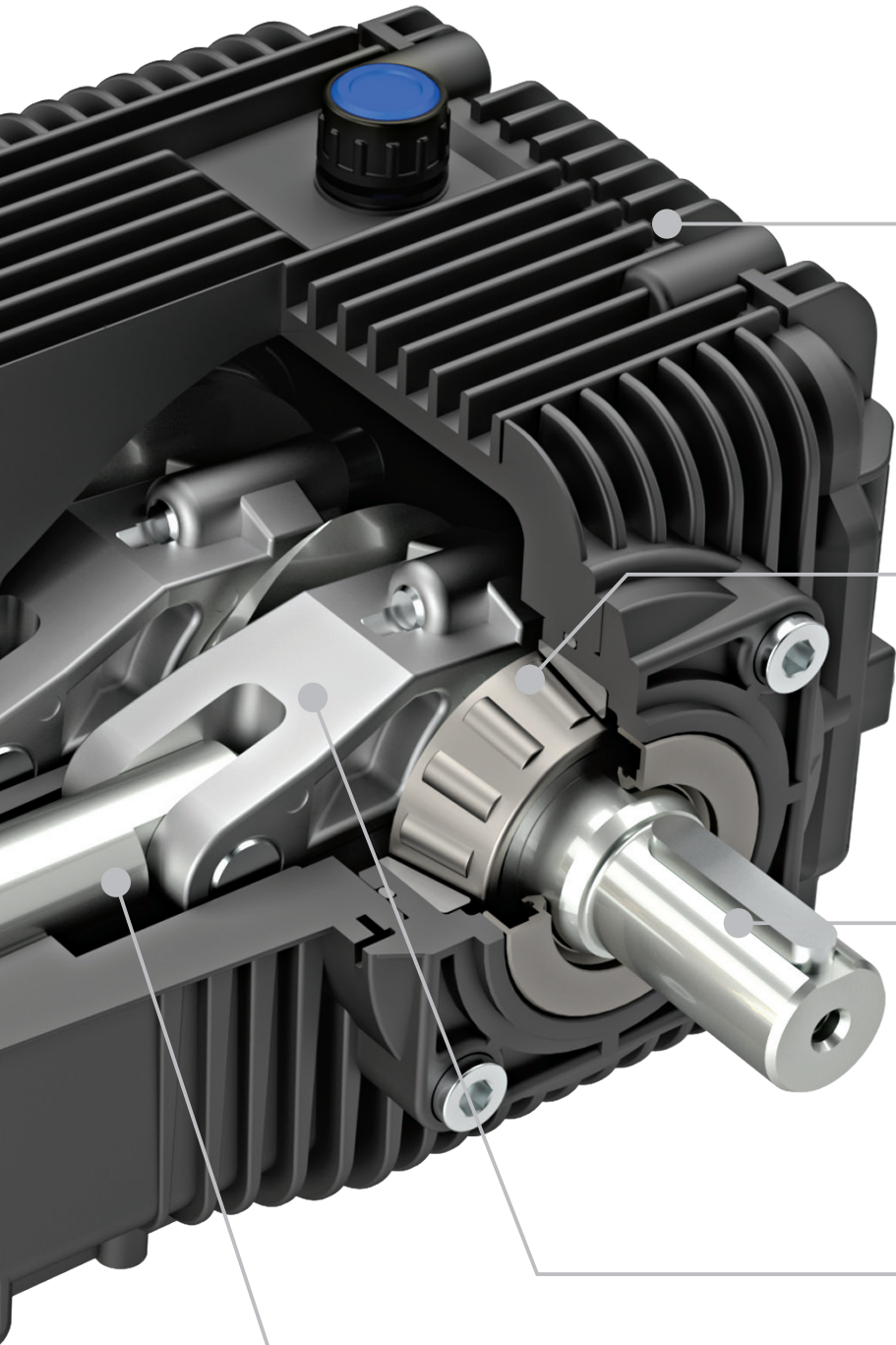
Suction and delivery valves with larger water passages.

Extra-thick ceramic plungers for greater durability.

Double gasket sealing system.

Double lip oil seals.





Ruggedly designed crankcase with deep fins for better cooling.

Top quality, oversized tapered roller bearings.

Oversized shaft with long end section for better torque transmission.

Oversized connecting-rods in a special low-friction alloy. Split into two parts for easier maintenance.

Oversized, piston guides for smoother stroke and better oil seal performance.





## TABLE OF CONTENTS

### PUMPS

|                               |       |
|-------------------------------|-------|
| RESIDENTIAL PUMPS             | P 10  |
| COMMERCIAL PUMPS              | P 26  |
| INDUSTRIAL PUMPS              | P 72  |
| HYDRAULIC PUMPS & MOTORS      | P 84  |
| STAINLESS STEEL PUMPS         | P 96  |
| HOT WATER PUMPS               | P 112 |
| SPECIALTY PUMPS               | P 118 |
| MIST UNITS                    | P 124 |
| ELECTRIC MOTORS               | P 126 |
| SKID UNITS                    | P 130 |
| PUMP PACKAGES                 | P 132 |
| POLYPROPYLENE DIAPHRAGM PUMPS | P 136 |
| AGRICULTURE ACCESSORIES       | P 142 |

|                    |              |
|--------------------|--------------|
| <u>ACCESSORIES</u> | <u>P 146</u> |
|--------------------|--------------|

|                                    |              |
|------------------------------------|--------------|
| <u>BLUE CLEAN PRESSURE WASHERS</u> | <u>P 224</u> |
|------------------------------------|--------------|

|                            |              |
|----------------------------|--------------|
| <u>GENERAL INFORMATION</u> | <u>P 250</u> |
|----------------------------|--------------|

|                   |              |
|-------------------|--------------|
| <u>WARRANTIES</u> | <u>P 254</u> |
|-------------------|--------------|

## DETAILED BREAKDOWN

### RESIDENTIAL PUMPS P 10

|            |         |
|------------|---------|
| RQ SERIES  | P 11-12 |
| RSV SERIES | P 13-14 |
| RM SERIES  | P 15-18 |
| RX SERIES  | P 19    |
| SJV SERIES | P 20    |
| XJV SERIES | P 21    |
| JR SERIES  | P 22-24 |

### COMMERCIAL PUMPS P 26

|            |         |
|------------|---------|
| RC SERIES  | P 27-33 |
| XT SERIES  | P 34-38 |
| XM SERIES  | P 39-48 |
| RR SERIES  | P 49-52 |
| RK SERIES  | P 53-57 |
| RG SERIES  | P 58-60 |
| XW SERIES  | P 61-66 |
| SXW SERIES | P 67-68 |
| RGX SERIES | P 69-70 |

### INDUSTRIAL PUMPS P 72

|            |         |
|------------|---------|
| XWP SERIES | P 73    |
| SHP SERIES | P 74-75 |
| RT SERIES  | P 76-82 |

### HYDRAULIC PUMPS & MOTORS P 84

|                                |         |
|--------------------------------|---------|
| RK SERIES                      | P 85    |
| XM SERIES                      | P 86    |
| RTX SERIES                     | P 87-89 |
| RTP/RTF/RTJ SERIES             | P 90    |
| RTD SERIES                     | P 91    |
| HYDRAULIC MOTORS & ACCESSORIES | P 92    |
| HYDRAULIC DRIVE KITS           | P 93    |
| HYDRAULIC BASE KITS            | P 94    |

### ACCESSORIES P 146

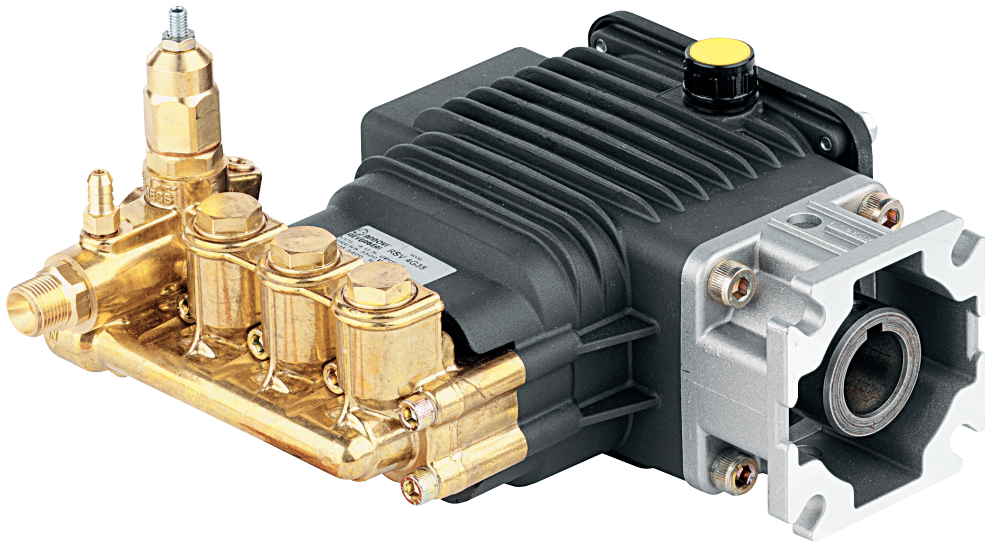
|                                  |           |
|----------------------------------|-----------|
| ARTEL ACCESSORIES                | P 175     |
| BOLONDI CLEANING HEADS           | P 190-193 |
| CHEMICAL INJECTORS               | P 165-166 |
| CONNECTORS & ADAPTERS            | P 208-209 |
| CONTROLLERS                      | P 212     |
| COUPLINGS                        | P 150     |
| DETERGENT SUCTION FILTERS & HOSE | P 167     |
| ELECTRIC CLUTCHES                | P 149     |
| FLANGES/COUPLINGS                | P 150     |
| FLUIDS                           | P 147     |
| FOAMERS                          | P 189     |
| GARDEN HOSE ADAPTERS             | P 202     |
| GEAR BOXES                       | P 149     |
| HOSES                            | P 214-215 |
| HOSE REELS & CARTS               | P 216     |
| INLET STRAINERS/FILTERS          | P 211     |
| JETTER VALVES                    | P 198     |
| LANCES & HANDLES                 | P 171-176 |
| NIPPLES                          | P 209-210 |
| NOZZLES                          | P 176-187 |
| NOZZLE HOLDERS                   | P 188     |
| PIVOT                            | P 207     |
| PULSATION DAMPENERS              | P 206     |
| PRESSURE GAUGES & DAMPENERS      | P 213     |
| QUICK COUPLINGS & PLUGS          | P 203-206 |
| RAIL KITS                        | P 148     |
| REGULATORS                       | P 152     |
| REPLACEMENT O-RINGS              | P 202     |
| SAFETY/RELIEF/POP-OFF VALVES     | P 153     |
| SANDBLASTERS & KITS              | P 194     |
| SEWER CLEANING                   | P 195-199 |
| SLUDGE PUMPS & HOSES             | P 214     |
| SPIRAL CLAMP                     | P 222     |
| STEAM WEED CONTROL               | P 200     |
| SUPEREX CLAMPS                   | P 217-221 |
| SURFACE CLEANERS                 | P 201     |
| SWITCHES                         | P 162-163 |
| SWIVEL COUPLERS                  | P 207     |
| THERMAL VALVES/RELIEF VALVES     | P 151     |
| THERMOSTAT                       | P 212     |
| TOOLS                            | P 152     |
| TRIGGER GUNS                     | P 168-169 |
| TRIGGER GUNS W/EXTENSIONS        | P 170     |
| UNLOADERS                        | P 154-160 |
| UNLOADERS W/PRESSURE SWITCHES    | P 161     |
| VALVES                           | P 164     |
| VALVE CAPS                       | P 148     |
| WATER BROOMS                     | P 200     |
| WHIPCHECK                        | P 222     |



# RESIDENTIAL PUMPS

RQV  
RQW  
RSV  
RMV  
RMW  
SRMV

SRMW  
RXV  
SJV  
XJV  
JRA  
JRV

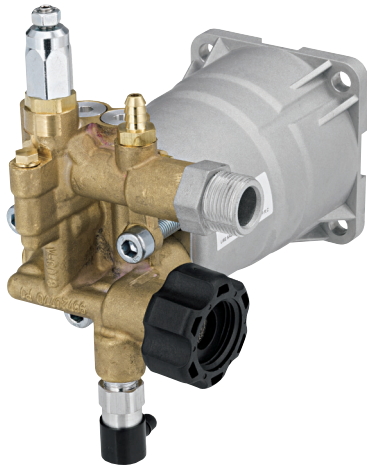


*Many options for both gas engines & electric motors.*

*Great for homeowners and less than everyday use.*

*Options in both crankshaft and radial axial drive.*

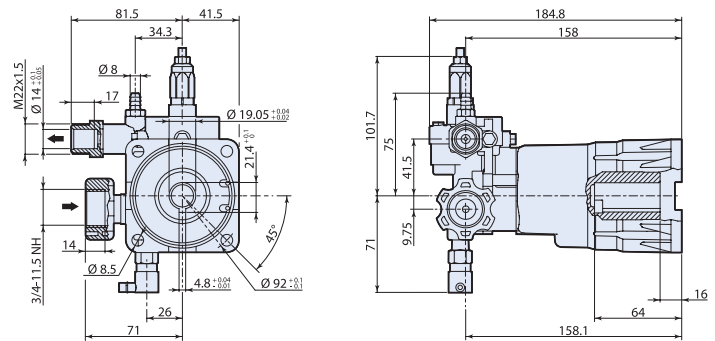
*Options to cover a wide range of small projects.*







### Residential

140° F - Max Water Temp  
 3/4" GHA - Inlet Thread  
 22mm (O.D) x 14mm (I.D) M - Discharge Thread  
 2.29 oz - Oil Capacity

|  |  |  |  |
|--|--|--|--|
|  |  |  |  |
| ● aluminum head  | ● brass head   | ○ thermal relief valve   | ● easy start valve   |



## D version

| MOD   |  MAX |  MAX |  |  NET | BORE DIA | STROKE | CRANKSHAFT ID STAMP | LIST PRICE |    |   |          |
|---|---|---|---|---|----------|--------|---------------------|------------|----|---|----------|
|   | l/min   | gpm   | bar   | psi   | ebhp     | rpm    | lbs                 | mm         | mm |   | \$       |
| <b>RQV 3400 rpm D version 3/4" with Gas Engine Flange</b> |   |   |   |   |          |        |                     |            |    |   |          |
| RQV25G26D-EZ ● ○ ●  | 9.5   | 2.5   | 166   | 2600  | 4.1      | 3400   | 4.25                | 12         | 9  | 3 | \$251.41 |
| RQV25G30D-EZ ● ○ ●  | 9.5   | 2.5   | 206   | 3000  | 5.5      | 3400   | 4.25                | 12         | 9  | 3 | \$339.94 |

### SPECIAL PARTS / KITS

| MOD     | DESCRIPTION  | LIST PRICE |
|---------|--------------|------------|
| AR64545 | Oil (4.5 oz) | \$15.47    |

### REPAIR KITS

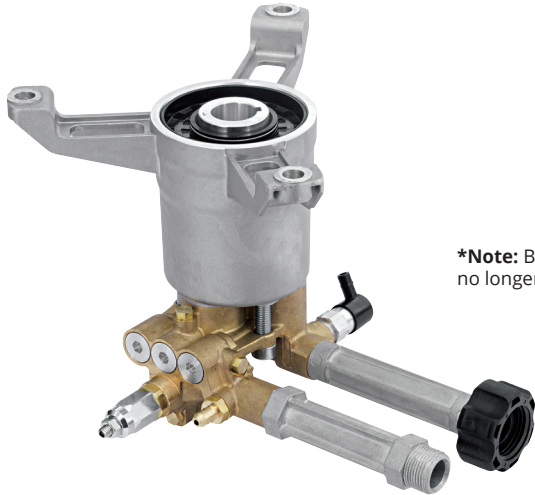
| MOD     | DESCRIPTION | QTY | LIST PRICE |
|---------|-------------|-----|------------|
| AR42955 | Valves      | 6   | \$37.87    |
| AR42956 | Pistons     | 3   | \$29.40    |
| AR42958 | Water Seals | 3   | \$16.93    |
| AR42959 | Oil Seals   | 4   | \$24.88    |
| AR42960 | O-Rings     | 25  | \$27.95    |





# RQW

## HOLLOW SHAFT PUMP



**\*Note:** Brass manifold no longer available

### Residential

140° F - Max Water Temp  
 3/4" GHA - Inlet Thread  
 22mm (O.D) x 14mm (I.D) M - Discharge Thread  
 2.29 oz - Oil Capacity



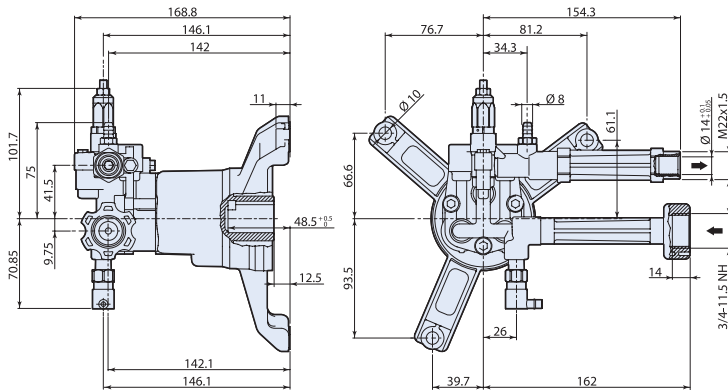
● aluminum head



○ thermal relief valve



● easy start valve



### D version

| MOD | MAX   | MAX |     | NET | BORE DIA | STROKE | CRANKSHAFT ID STAMP | LIST PRICE |
|-----|-------|-----|-----|-----|----------|--------|---------------------|------------|
|     | l/min | gpm | bar | psi | ebhp     | rpm    | lbs                 | mm         |

| RQW 3400rpm D version 7/8" with Gas Engine Flange |       |     |     |     |      |     |      |     |    |      |   |          |
|---|-------|-----|-----|-----|------|-----|------|-----|----|------|---|----------|
| RQW22G26-EZ                                       | ● ○ ● | 8.3 | 2.2 | 173 | 2600 | 3.9 | 3400 | 7.1 | 12 | 8.29 | 5 | \$251.41 |
| RQW22G26-EZ-SX                                    | ● ○ ● | 8.3 | 2.2 | 173 | 2600 | 3.9 | 3400 | 7.1 | 12 | 8.29 | 5 | \$251.41 |

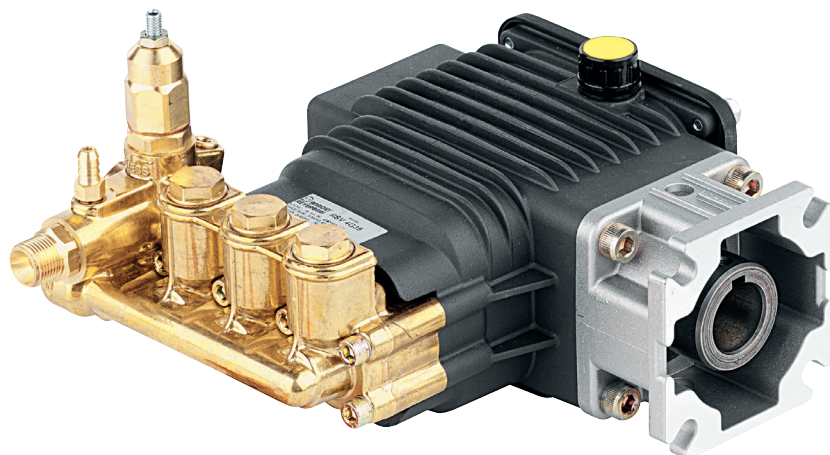
SX - 180° Rotated Shaft Configuration

### SPECIAL PARTS / KITS

| MOD     | DESCRIPTION  | LIST PRICE |
|---------|--------------|------------|
| AR64545 | Oil (4.5 oz) | \$15.47    |

### REPAIR KITS

| MOD     | DESCRIPTION | QTY | LIST PRICE |
|---------|-------------|-----|------------|
| AR42955 | Valves      | 6   | \$37.87    |
| AR42956 | Pistons     | 3   | \$29.40    |
| AR42957 | Oil Seals   | 3   | \$17.33    |
| AR42958 | Water Seals | 4   | \$16.93    |
| AR42959 | Oil Seals   | 25  | \$24.88    |



On request

### Residential

140° F - Max Water Temp  
 3/8" F - Inlet Thread  
 3/8" M - Discharge Thread  
 16 oz - Oil Capacity



● brass head



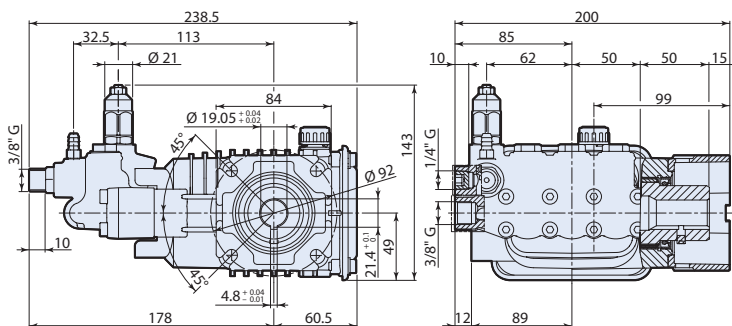
○ aluminum connecting-rods



○ thermal relief valve



● easy start valve



### D version + F25

| MOD | MAX   | MAX |     | NET | BORE DIA | STROKE | CRANKSHAFT ID STAMP | LIST PRICE |    |  |    |
|-----|-------|-----|-----|-----|----------|--------|---------------------|------------|----|--|----|
|     | l/min | gpm | bar | psi | ebhp     | rpm    | lbs                 | mm         | mm |  | \$ |

**RSV 3400rpm D version + F25 Ø3/4"**

RSV3G30D-F25EZ ● ○ ● ● 11.4 3 206 3000 6.2 3400 14 15 7.6 9 \$688.14

### SPECIAL PARTS / KITS

| MOD       | DESCRIPTION  | LIST PRICE |
|-----------|--|------------|
| AR42304   | EZ Start assembly                                      | \$38.99    |
| AR2280    | Unloader Kit - up to 3200 PSI (no knob with seat)      | \$121.76   |
| AR42369   | Unloader Kit - above 3200 PSI (no knob with seat)      | \$101.06   |
| AR42128   | Unloader Kit - above 3200 PSI (with knob without seat) | \$108.96   |
| AR42527   | Complete manifold with EZ start                        | \$524.82   |
| AR42546   | Complete manifold non EZ start                         | \$556.24   |
| AR2761050 | Bare manifold with EZ start                            | \$262.43   |
| AR2760330 | Bare manifold non EZ start                             | \$262.43   |
| AR64516   | Oil (16 oz)  | \$15.80    |

### REPAIR KITS

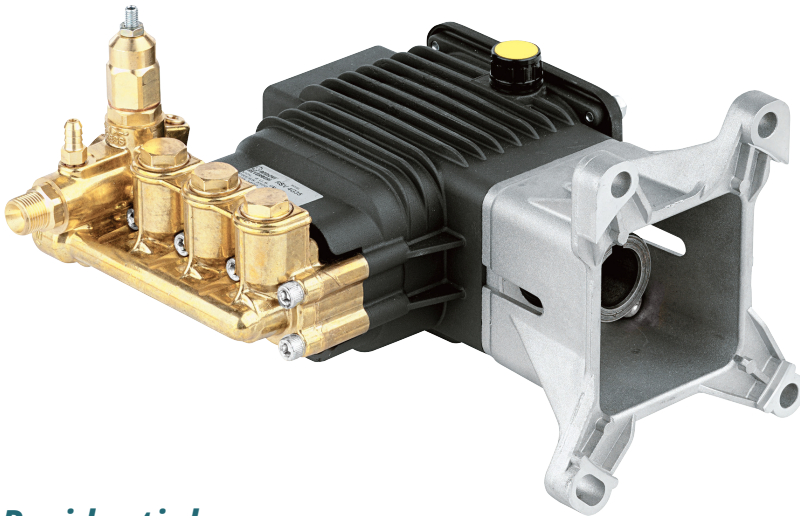
| MOD     | DESCRIPTION     | QTY | LIST PRICE |
|---------|-----------------|-----|------------|
| AR42666 | Valves and Caps | 6   | \$81.03    |
| AR2187  | Pistons         | 3   | \$200.36   |
| AR2189  | Water Seals     | 3   | \$94.28    |
| AR2188  | Oil Seals       | 4   | \$61.84    |
| AR2190  | O-Rings         | 17  | \$15.01    |
| AR2191  | Support Ring    | 3   | \$7.21     |





# RSV-40

## HOLLOW SHAFT PUMP



On request

### Residential

140° F - Max Water Temp  
 3/8" F - Inlet Thread  
 3/8" M - Discharge Thread  
 16 oz - Oil Capacity



● brass head



○ bronze connecting-rods



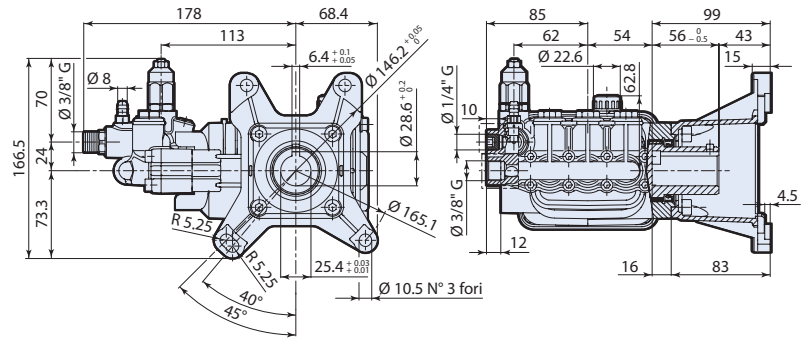
○ aluminum connecting-rods



○ thermal relief valve



● easy start valve



### D version + F40

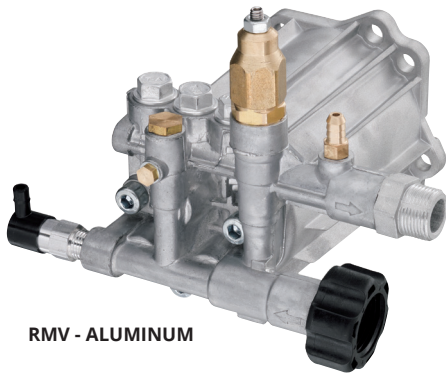
| MOD  | MAX   | gpm  | bar | psi | eBHP | rpm  | lbs  | BORE DIA | STROKE | CRANKSHAFT ID STAMP | LIST PRICE |          |
|--|-------|------|-----|-----|------|------|------|----------|--------|---------------------|------------|----------|
|  | l/min |      |     |     |      |      |      | mm       | mm     |                     | \$         |          |
| <b>RSV 3400 rpm D version + F40 Ø1" with Gas Engine Flange</b> |       |      |     |     |      |      |      |          |        |                     |            |          |
| RSV3G34D-F40   | ● ○ ○ | 11.4 | 3   | 234 | 3400 | 7.0  | 3400 | 14       | 15     | 7.6                 | 9          | \$766.05 |
| RSV33G31D-F40EZ  | ● ○ ● | 12.6 | 3.3 | 213 | 3100 | 7.0  | 3400 | 14       | 15     | 7.6                 | 9          | \$766.05 |
| RSV35G40D-F40  | ● ○ ○ | 13.2 | 3.5 | 275 | 4000 | 9.6  | 3400 | 14       | 15     | 8.2                 | 8          | \$766.05 |
| RSV4G40HDF40EZ   | ● ○ ● | 15.1 | 4   | 275 | 4000 | 11.0 | 3400 | 14       | 15     | 9.4                 | 7          | \$766.05 |

### SPECIAL PARTS / KITS

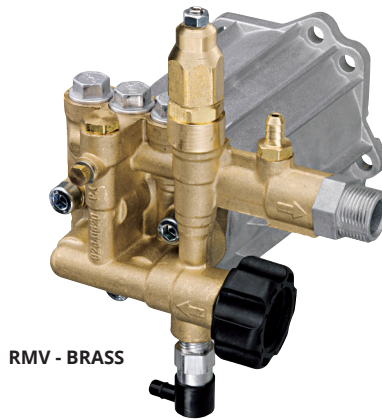
| MOD       | DESCRIPTION  | LIST PRICE |
|-----------|--|------------|
| AR42304   | EZ Start assembly                                      | \$38.99    |
| AR2280    | Unloader Kit - up to 3200 PSI (no knob with seat)      | \$121.76   |
| AR42369   | Unloader Kit - above 3200 PSI (no knob with seat)      | \$101.06   |
| AR42128   | Unloader Kit - above 3200 PSI (with knob without seat) | \$108.96   |
| AR42527   | Complete manifold with EZ start                        | \$524.82   |
| AR42546   | Complete manifold non EZ start                         | \$556.24   |
| AR2761050 | Bare manifold with EZ start                            | \$262.43   |
| AR2760330 | Bare manifold non EZ start                             | \$262.43   |
| AR64516   | Oil (16 oz)  | \$15.80    |

### REPAIR KITS

| MOD     | DESCRIPTION     | QTY | LIST PRICE |
|---------|-----------------|-----|------------|
| AR42666 | Valves and Caps | 6   | \$81.03    |
| AR2187  | Pistons         | 3   | \$200.36   |
| AR2189  | Water Seals     | 3   | \$94.28    |
| AR2188  | Oil Seals       | 4   | \$61.84    |
| AR2190  | O-Rings         | 17  | \$15.01    |
| AR2191  | Support Ring    | 3   | \$7.21     |



RMV - ALUMINUM



RMV - BRASS

### Residential

140° F - Max Water Temp  
 3/4" GHA - Inlet Thread  
 22mm (O.D) x 14mm (I.D) M - Discharge Thread  
 2.2 oz - Oil Capacity



● aluminum head



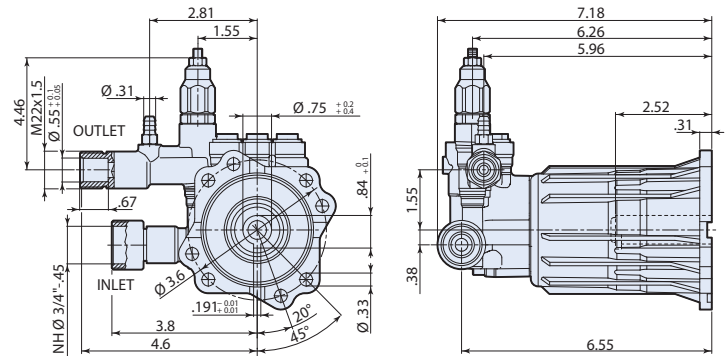
● brass head



○ thermal relief valve



● easy start valve



### D version

| MOD  | MAX   | MAX | MAX | MAX | NET  | BORE DIA | STROKE | CRANKSHAFT ID STAMP | LIST PRICE |      |   |          |
|--|-------|-----|-----|-----|------|----------|--------|---------------------|------------|------|---|----------|
|  | l/min | gpm | bar | psi | ebhp | rpm      | lbs    | mm                  | mm         | \$   |   |          |
| <b>RMV 3400rpm D version 3/4" with Gas Engine Flange</b> |       |     |     |     |      |          |        |                     |            |      |   |          |
| RMV2G25D   | ● ○   | 7.6 | 2   | 172 | 2500 | 3.4      | 3400   | 7.5                 | 12         | 7.58 | 7 | \$398.95 |
| RMV22G24D-EZ   | ● ○ ● | 8.3 | 2.2 | 166 | 2400 | 3.6      | 3400   | 7.2                 | 12         | 8.3  | 5 | \$280.92 |
| RMV25G24D  | ● ○   | 9.5 | 2.5 | 166 | 2400 | 4.0      | 3400   | 7.2                 | 12         | 9.7  | 1 | \$280.92 |
| RMV25G30D-EZ   | ● ○ ● | 9.5 | 2.5 | 200 | 3000 | 5.1      | 3400   | 7.5                 | 12         | 9.7  | 1 | \$398.95 |

\* - 3/8" Quick Connect Outlet

### SPECIAL PARTS / KITS

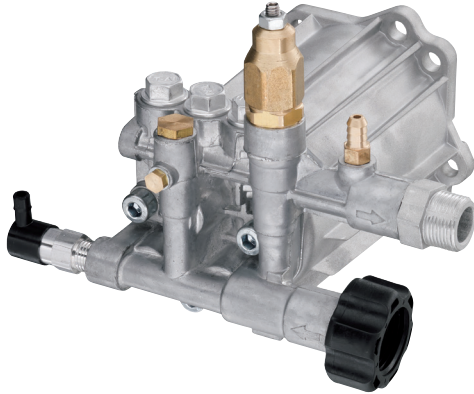
| MOD       | DESCRIPTION               | LIST PRICE |
|-----------|---------------------------|------------|
| AR2841340 | 3/8" Quick Connect Outlet | \$59.50    |
| AR42125   | Chemical Injector Kit     | \$8.96     |
| AR42321   | Inlet Kit                 | \$20.83    |
| AR64545   | Oil (4.5 oz)              | \$15.47    |

### REPAIR KITS

| MOD     | DESCRIPTION               | QTY | LIST PRICE |
|---------|---------------------------|-----|------------|
| AR42123 | Valves for brass heads    | 6   | \$33.84    |
| AR2233  | Valves for aluminum heads | 6   | \$20.56    |
| AR42161 | Pistons 2 GPM             | 3   | \$46.98    |
| AR2234  | Pistons 2.5 GPM           | 3   | \$46.98    |
| AR42122 | Water Seals 2 GPM         | 3   | \$16.96    |
| AR2235  | Water Seals 2.5 GPM       | 6   | \$28.11    |
| AR2236  | Oil Seals                 | 4   | \$21.58    |
| AR2237  | O-Rings 2 GPM             | 16  | \$18.21    |
| AR42701 | O-Rings 2.5 GPM           | 16  | \$31.74    |
| AR42118 | Unloader                  | 1   | \$80.38    |







## Residential

140° F - Max Water Temp  
 3/4" GHA - Inlet Thread  
 22mm (O.D) x 14mm (I.D) M - Discharge Thread  
 2.2 oz - Oil Capacity



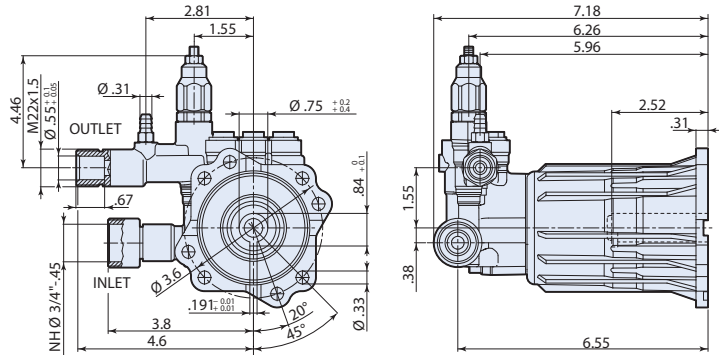
● aluminum head







○ thermal relief valve



● easy start valve



## D version

| MOD   |  MAX |  MAX |  |  | BORE DIA | STROKE | CRANKSHAFT ID STAMP | LIST PRICE |    |     |    |          |
|---|---|---|---|---|----------|--------|---------------------|------------|----|-----|----|----------|
|   | l/min   | gpm   | bar   | psi   | ebhp     | rpm    | lbs                 | mm         | mm |     | \$ |          |
| <b>SRMV 3400rpm D version 3/4" with Gas Engine Flange</b> |   |   |   |   |          |        |                     |            |    |     |    |          |
| SRMV22G26-EZ  | ● ○ ●   | 8.3   | 2.2   | 173   | 2600     | 3.9    | 3400                | 7.5        | 12 | 8.3 | 5  | \$280.92 |
| SRMV24G28D-EZ   | ● ○ ●   | 9.1   | 2.4   | 193   | 2800     | 4.6    | 3400                | 7.5        | 12 | 9.0 | 3  | \$280.92 |

## SPECIAL PARTS / KITS

| MOD       | DESCRIPTION               | LIST PRICE |
|-----------|---------------------------|------------|
| AR2841340 | 3/8" Quick Connect Outlet | \$59.50    |
| AR42125   | Chemical injector Kit     | \$8.96     |
| AR42321   | Inlet Kit                 | \$20.83    |
| AR64545   | Oil (4.5 oz)              | \$15.47    |

## REPAIR KITS

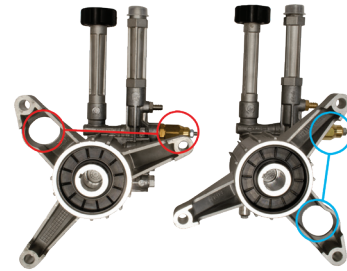
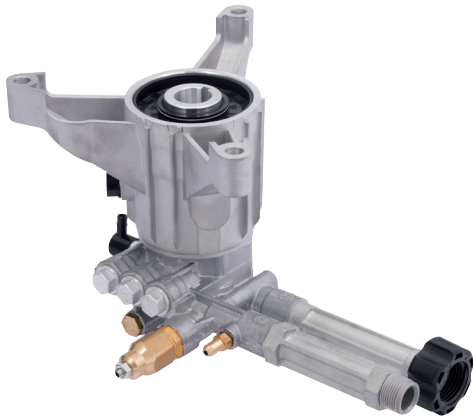
| MOD     | DESCRIPTION             | QTY | LIST PRICE |
|---------|-------------------------|-----|------------|
| AR42499 | Valves                  | 6   | \$32.27    |
| AR42161 | Pistons                 | 3   | \$46.98    |
| AR42122 | Water Seals (SRMV22626) | 3   | \$16.96    |
| AR2236  | Oil Seals (SRMV22626)   | 4   | \$21.58    |
| AR2237  | O-Rings (SRMV22626)     | 16  | \$18.21    |
| AR42118 | Unloader                | 1   | \$80.38    |
| AR2235  | Water Seals (SRMV24G28) | 6   | \$28.11    |
| AR2236  | Oil Seals (SRMV24G28)   | 4   | \$21.58    |
| AR43212 | O-Rings (SRMV24G28)     | 67  | \$31.06    |





# SRMW

## HOLLOW SHAFT PUMP



**\*Note:**

- SX Style - left handed pumps have a hole in the leg opposite of the unloader.
- Non-SX Style - right handed pumps have a hole in the leg on the same side as the unloader.

### Residential

140° F - Max Water Temp  
 3/4" GHA - Inlet Thread  
 22mm (O.D) x 14mm (I.D) M - Discharge Thread  
 2.2 oz - Oil Capacity



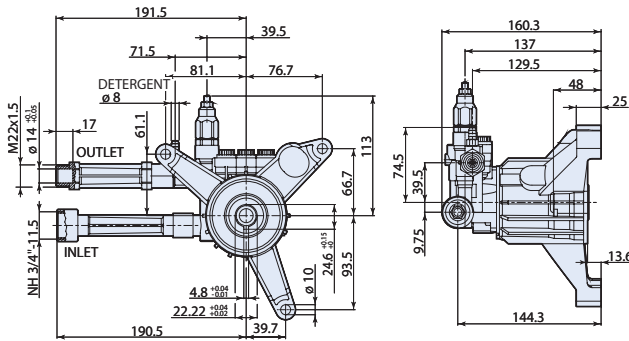
● aluminum head



○ thermal relief valve



● easy start valve



### D version

| MOD   | MAX   |     | MAX |     | rpm  | NET | BORE DIA | STROKE | CRANKSHAFT ID STAMP | LIST PRICE |      |          |
|---|-------|-----|-----|-----|------|-----|----------|--------|---------------------|------------|------|----------|
|   | l/min | gpm | bar | psi |      |     |          |        |                     |            | ebhp | lbs      |
| <b>SRMW 3400rpm D version 7/8" with Vertical Gas Flange</b> |       |     |     |     |      |     |          |        |                     |            |      |          |
| SRMW22G26-EZ  | ● ○ ● | 8.3 | 2.2 | 173 | 2600 | 3.9 | 3400     | 7.3    | 12                  | 8.3        | 5    | \$280.92 |
| SRMW24G28-EZ  | ● ○ ● | 9.1 | 2.4 | 173 | 2800 | 4.6 | 3400     | 7.3    | 12                  | 9.0        | 3    | \$324.60 |
| SRMW22G26-EZ-SX   | ● ○ ● | 8.3 | 2.2 | 173 | 2600 | 3.9 | 3400     | 7.3    | 12                  | 8.3        | 5    | \$280.92 |
| SRMW24G28-EZ-SX   | ● ○ ● | 9.1 | 2.4 | 193 | 2800 | 4.6 | 3400     | 7.3    | 12                  | 9.0        | 3    | \$324.60 |

SX - 180° Rotated Shaft Configuration

### SPECIAL PARTS / KITS

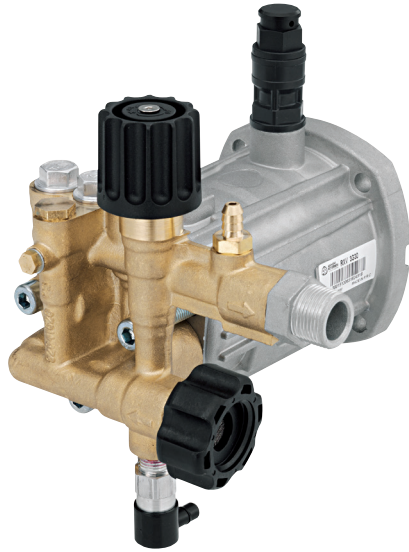
| MOD     | DESCRIPTION                  | LIST PRICE |
|---------|------------------------------|------------|
| AR42940 | Complete Manifold - aluminum | \$172.51   |
| AR42142 | EZ start kit                 | \$11.34    |
| AR42165 | Inlet - with o-ring          | \$27.86    |
| AR42166 | Outlet - with o-ring         | \$13.09    |
| AR42141 | Grub screw and washer        | \$4.72     |
| AR42125 | Chemical injection kit       | \$8.96     |
| AR43361 | Complete Manifold SRMW254G28 | \$228.98   |
| AR64545 | Oil (4.5 oz)                 | \$15.47    |

### REPAIR KITS

| MOD     | DESCRIPTION   | QTY | LIST PRICE |
|---------|---------------|-----|------------|
| AR42499 | Valves        | 6   | \$32.27    |
| AR42161 | Pistons       | 3   | \$46.98    |
| AR42122 | Water Seals   | 3   | \$16.96    |
| AR2236  | Oil Seals     | 4   | \$21.58    |
| AR2237  | O-Rings       | 16  | \$18.21    |
| AR42118 | Unloader      | 16  | \$80.38    |
| AR42866 | Shutter Valve | 6   | \$28.73    |

# RXV

## HOLLOW SHAFT PUMP



### Residential

140° F - Max Water Temp  
 3/4" GHA - Inlet Thread  
 222mm (O.D) x 14mm (I.D) M - Discharge Thread  
 3.35 oz - Oil Capacity



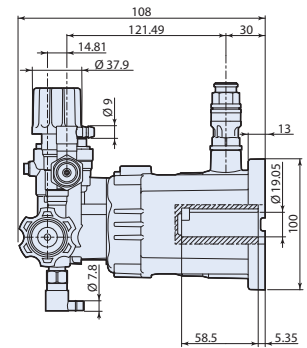
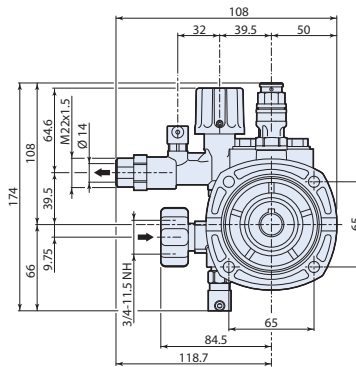
● brass head



○ thermal relief valve



● easy start valve



### D version

| MOD  | MAX   | MAX |     | NET  | BORE DIA | STROKE | CRANKSHAFT ID STAMP | LIST PRICE |     |   |          |
|--|-------|-----|-----|------|----------|--------|---------------------|------------|-----|---|----------|
|  | l/min | gpm | bar | psi  | ebhp     | rpm    | lbs                 | mm         | mm  |   | \$       |
| <b>RXV 3400rpm D version 3/4" with Gas Engine Flange</b> |       |     |     |      |          |        |                     |            |     |   |          |
| RXV25G30D-EZ ● ○ ●                                       | 9.5   | 2.5 | 206 | 3000 | 5.1      | 3400   | 8.8                 | 14         | 6.8 | 5 | \$442.63 |
| RXV3G30D-EZ ● ○ ●  | 11.4  | 3   | 206 | 3000 | 5.5      | 3400   | 8.8                 | 14         | 8.2 | 3 | \$442.63 |
| RXV35G30D-EZ ● ○ ●                                       | 13.2  | 3.5 | 206 | 3000 | 7.2      | 3400   | 8.8                 | 14         | 9.7 | 1 | \$442.63 |

### SPECIAL PARTS / KITS

| MOD     | DESCRIPTION  | LIST PRICE |
|---------|--------------|------------|
| AR64545 | Oil (4.5 oz) | \$15.47    |

### REPAIR KITS

| MOD     | DESCRIPTION | QTY | LIST PRICE |
|---------|-------------|-----|------------|
| AR42123 | Valves      | 6   | \$33.84    |
| AR42950 | Pistons     | 3   | \$33.89    |
| AR42952 | Water Seals | 3   | \$52.84    |
| AR42951 | Oil Seals   | 4   | \$24.71    |
| AR42953 | O-Rings     | 17  | \$12.93    |



# SJV

## HOLLOW SHAFT PUMP



### Residential

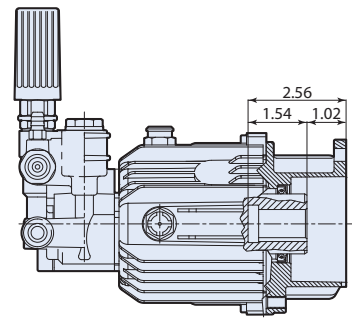
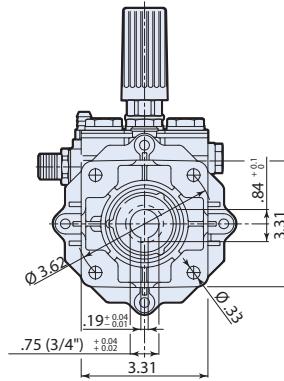
140° F - Max Water Temp  
 1/2" M - Inlet Thread  
 3/8" M - Discharge Thread  
 4.5 oz - Oil Capacity



● brass head



● easy start valve



## D version + F7

| MOD   | MAX   |     | MAX |      | MAX  |      | NET | BORE DIA | STROKE | CRANKSHAFT ID STAMP | LIST PRICE |
|---|-------|-----|-----|------|------|------|-----|----------|--------|---------------------|------------|
|   | l/min | gpm | bar | psi  | ebhp | rpm  | lbs | mm       | mm     |                     | \$         |
| <b>SJV 3400 rpm D version 3/4" with Gas Engine Flange</b> |       |     |     |      |      |      |     |          |        |                     |            |
| SJV25G27D-F7 *  | 9.5   | 2.5 | 186 | 2700 | 4.5  | 3400 | 11  | 15       | 5.8    | -                   | \$590.18   |
| SJV25G27D-F7-EZ *   | 9.5   | 2.5 | 186 | 2700 | 4.5  | 3400 | 11  | 15       | 5.8    | -                   | \$590.18   |
| SJV3G27D-EZ   | 11.4  | 3   | 186 | 2700 | 5.2  | 3400 | 11  | 15       | 6.8    | -                   | \$590.18   |

\* - With Adjustable Unloader

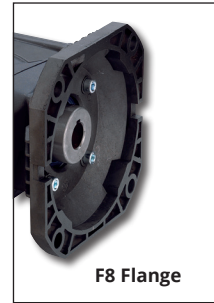
### SPECIAL PARTS / KITS

| MOD       | DESCRIPTION       | LIST PRICE |
|-----------|-------------------|------------|
| AR1981801 | Spring - EZ Start | \$2.89     |
| AR64545   | Oil (4.5 oz)      | \$15.47    |

### REPAIR KITS

| MOD     | DESCRIPTION             | QTY | LIST PRICE |
|---------|-------------------------|-----|------------|
| AR2869  | Valves                  | 6   | \$59.29    |
| AR2513  | Pistons                 | 3   | \$147.77   |
| AR2167  | Water Seals             | 3   | \$38.33    |
| AR2591  | Oil Seals               | 4   | \$25.07    |
| AR2799  | O-Rings                 | 28  | \$25.55    |
| AR2594  | Unloader (without Knob) | 21  | \$73.12    |
| AR2858  | Unloader (with Knob)    | 22  | \$118.61   |
| AR42125 | Chemical Injector       | 3   | \$8.96     |





F8 Flange

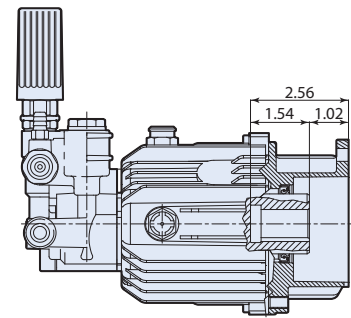
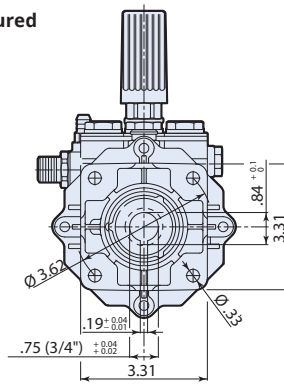
\*F8 Flange not pictured

### Residential

140° F - Max Water Temp  
 1/2" M - Inlet Thread  
 3/8" M - Discharge Thread  
 4.5 oz - Oil Capacity



● brass head



## E version + F8

| MOD   | MAX   | MAX | MAX |      | NET  | BORE DIA | STROKE | CRANKSHAFT ID STAMP | LIST PRICE |    |          |
|---|-------|-----|-----|------|------|----------|--------|---------------------|------------|----|----------|
|   | l/min | gpm | bar | psi  | ebhp | rpm      | lbs    | mm                  | mm         | \$ |          |
| <b>XJV 3400rpm E version 5/8" with Nema 56-C Flange</b> |       |     |     |      |      |          |        |                     |            |    |          |
| XJV2G15E-F8 * ●   | 7.6   | 2   | 100 | 1500 | 2.0  | 3400     | 11     | 15                  | 4.8        | -  | \$590.18 |
| XJV3G20E-F8 * ●   | 11.4  | 3   | 140 | 2000 | 4.0  | 3400     | 11     | 15                  | 6.8        | -  | \$590.18 |

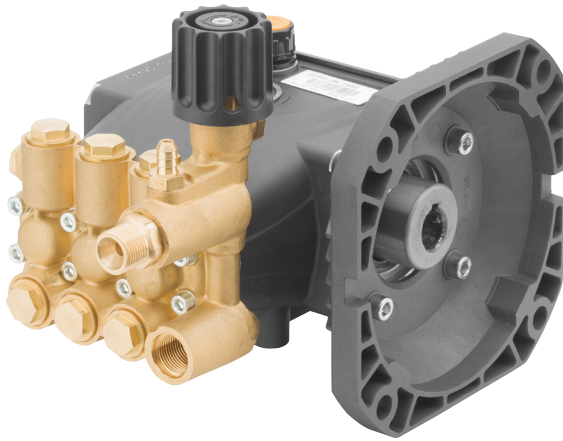
\* - With Adjustable Unloader

### SPECIAL PARTS / KITS

| MOD       | DESCRIPTION       | LIST PRICE |
|-----------|-------------------|------------|
| AR1981801 | Spring - EZ Start | \$2.89     |
| AR64545   | Oil (4.5 oz)      | \$15.47    |

### REPAIR KITS

| MOD     | DESCRIPTION             | QTY | LIST PRICE |
|---------|-------------------------|-----|------------|
| AR2869  | Valves                  | 6   | \$59.29    |
| AR2513  | Pistons                 | 3   | \$147.77   |
| AR2167  | Water Seals             | 3   | \$38.33    |
| AR2591  | Oil Seals               | 4   | \$25.07    |
| AR2799  | O-Rings                 | 28  | \$25.55    |
| AR2594  | Unloader (without Knob) | 21  | \$73.12    |
| AR2858  | Unloader (with Knob)    | 22  | \$118.61   |
| AR42125 | Chemical Injector       | 3   | \$8.96     |



### Residential

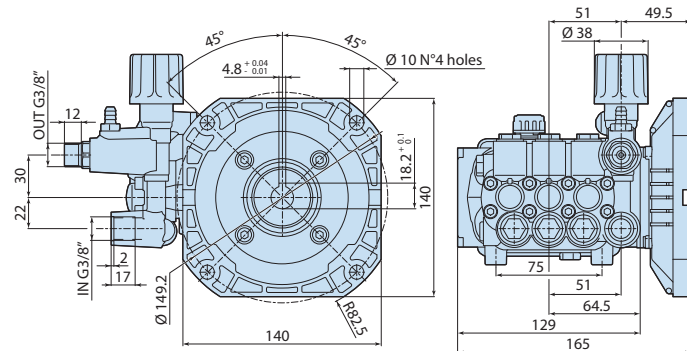
140° F - Max Water Temp  
 3/8" F - Inlet Thread  
 3/8" M - Discharge Thread  
 5.43 oz - Oil Capacity



● brass head



○ aluminum connecting rods



### E version + F8

| MOD | MAX   | MAX |     | NET | BORE DIA | STROKE | CRANKSHAFT ID STAMP | LIST PRICE |
|-----|-------|-----|-----|-----|----------|--------|---------------------|------------|
|     | l/min | gpm | bar | psi | ebhp     | rpm    | lbs                 | mm         |

| JRA 1750rpm E version 5/8" with Nema 56-C Flange |     |     |     |      |     |      |      |    |      |   |          |
|--|-----|-----|-----|------|-----|------|------|----|------|---|----------|
| JRA25G22E-F8 ● ○                                 | 9.2 | 2.4 | 150 | 2200 | 3.7 | 1750 | 8.81 | 14 | 11.5 | 1 | \$649.19 |

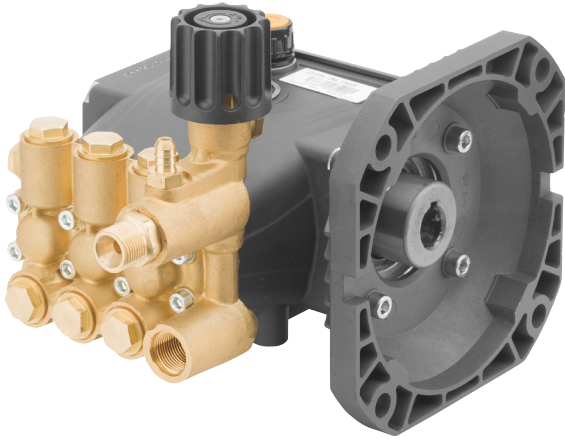
\* - With Adjustable Unloader

### SPECIAL PARTS / KITS

| MOD     | DESCRIPTION | LIST PRICE |
|---------|-------------|------------|
| AR64516 | Oil (16 oz) | \$15.80    |

### REPAIR KITS

| MOD     | DESCRIPTION | QTY | LIST PRICE |
|---------|-------------|-----|------------|
| AR43478 | Valves      | 6   | \$16.62    |
| AR43894 | Pistons     | 3   | \$206.71   |
| AR43896 | Water Seals | 9   | \$59.39    |
| AR46148 | Oil Seals   | 6   | \$29.91    |
| AR43482 | O-Rings     | 20  | \$12.34    |



### Residential

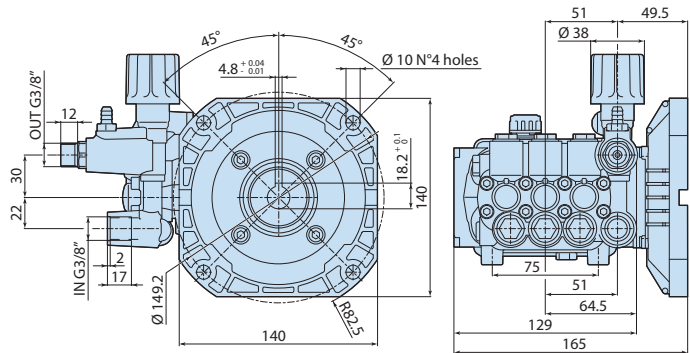
140° F - Max Water Temp  
 3/8" F - Inlet Thread  
 3/8" M - Discharge Thread  
 5.43 oz - Oil Capacity



● brass head



○ aluminum connecting rods



### E version + F8

| MOD  | MAX       | MAX      |          | NET  | BORE DIA | STROKE | CRANKSHAFT ID STAMP | LIST PRICE |
|--|-----------|----------|----------|------|----------|--------|---------------------|------------|
|  | l/min gpm | bar psi  | ebhp rpm | lbs  | mm       | mm     |                     | \$         |
| <b>JRV 3400 rpm E version 5/8" with Nema 56-C Flange</b> |           |          |          |      |          |        |                     |            |
| JRV2G25E-F8 ● ○  | 7.6 2     | 172 2500 | 3.4 3400 | 8.81 | 12       | 7      | 3                   | \$649.19   |
| JRV3G20E-F8 ● ○  | 11.4 3    | 140 2000 | 4.1 3400 | 8.81 | 12       | 10.7   | 2                   | \$649.19   |

### SPECIAL PARTS / KITS

| MOD     | DESCRIPTION | LIST PRICE |
|---------|-------------|------------|
| AR64516 | Oil (16 oz) | \$15.80    |

### REPAIR KITS

| MOD     | DESCRIPTION | QTY | LIST PRICE |
|---------|-------------|-----|------------|
| AR43478 | Valves      | 6   | \$16.62    |
| AR43479 | Pistons     | 3   | \$160.53   |
| AR43481 | Water Seals | 3   | \$29.23    |
| AR43557 | Oil Seals   | 6   | \$19.16    |
| AR43482 | O-Rings     | 20  | \$12.34    |
| AR43988 | Unloader    | 22  | \$54.98    |





# JRV-F7

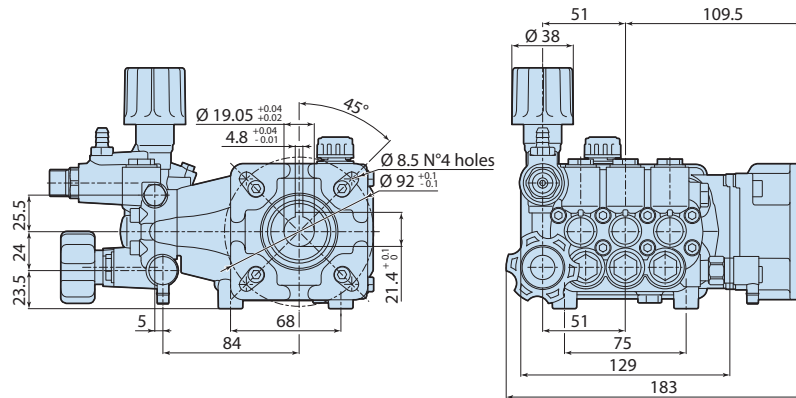
## HOLLOW SHAFT PUMP



### Residential

140° F - Max Water Temp  
 3/8" F - Inlet Thread  
 3/8" M - Discharge Thread  
 5.43 oz - Oil Capacity

- brass head
- aluminum connecting rods
- easy start valve



### D version + F7

| MOD  | MAX   | MAX |     | NET  | BORE DIA | STROKE | CRANKSHAFT ID STAMP | LIST PRICE |      |   |          |
|--|-------|-----|-----|------|----------|--------|---------------------|------------|------|---|----------|
|  | l/min | gpm | bar | psi  | ebhp     | rpm    | lbs                 | mm         | mm   |   | \$       |
| <b>JRV 3400rpm D version 3/4" with Gas Engine Flange</b> |       |     |     |      |          |        |                     |            |      |   |          |
| JRV25G30D-F7-EZ  | 9.4   | 2.5 | 207 | 3000 | 5.0      | 3400   | 8.9                 | 12         | 8.8  | 4 | \$649.19 |
| JRV3G30D-F7-EZ   | 11.4  | 3   | 206 | 3000 | 6.2      | 3400   | 8.9                 | 12         | 10.7 | 2 | \$649.19 |

### SPECIAL PARTS / KITS

| MOD     | DESCRIPTION | LIST PRICE |
|---------|-------------|------------|
| AR64516 | Oil (16 oz) | \$15.80    |

### REPAIR KITS

| MOD     | DESCRIPTION | QTY | LIST PRICE |
|---------|-------------|-----|------------|
| AR43478 | Valves      | 6   | \$16.62    |
| AR43479 | Pistons     | 3   | \$160.53   |
| AR43481 | Water Seals | 3   | \$29.23    |
| AR43557 | Oil Seals   | 6   | \$19.16    |
| AR43482 | O-Rings     | 20  | \$12.34    |
| AR43988 | Unloader    | 22  | \$54.98    |



# COMMERCIAL PUMPS

RC  
RCA  
RCV  
RCVU  
XT  
XTA  
XTV  
XM  
XMA  
XMV

SXMV  
RR  
RRA  
RRV  
RK  
RKA  
RKV  
RG  
RGA  
SRG

XW  
XWA  
XWT  
XWF  
XWL  
XWLA  
SXW  
SXWA  
RGX



*Wide range of pump options. Gas Engine and Electric Motor Direct Drives. As well as solid shaft pumps for Direct or Pulley driving.*

*Applications include: hot & cold pressure washer, jetters, misting, cooling system, rinse down systems, car wash, etc.*

*Pressures ranging from 1,500-5,000 psi.  
Flow ranging from 2 gpm-13 gpm.*





## Commercial

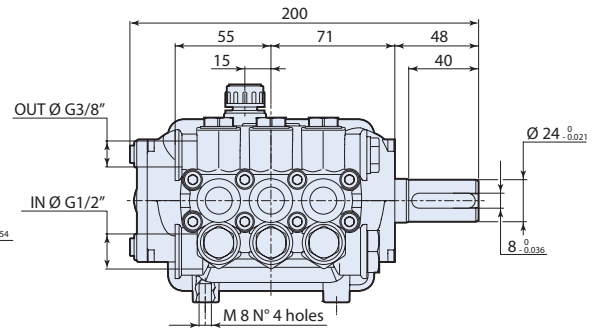
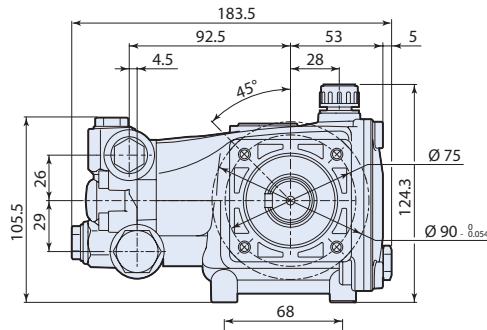
140° F - Max Water Temp  
 1/2" F - Inlet Thread  
 3/8" F - Discharge Thread  
 9.81 oz - Oil Capacity



● brass head



○ aluminum connecting rods



## N version

| MOD   | MAX   | MAX |     | NET  | BORE DIA | STROKE | CRANKSHAFT ID STAMP | LIST PRICE |      |   |          |
|---|-------|-----|-----|------|----------|--------|---------------------|------------|------|---|----------|
|   | l/min | gpm | bar | psi  | ebhp     | rpm    | lbs                 | mm         | mm   |   | \$       |
| <b>RC 1450rpm N version 24mm with Solid Shaft</b> |       |     |     |      |          |        |                     |            |      |   |          |
| RC12.17N ● ○                                      | 12    | 3.2 | 170 | 2500 | 5.5      | 1450   | 10                  | 18         | 11.2 | 3 | \$610.23 |
| RC13.17N ● ○                                      | 13    | 3.4 | 170 | 2500 | 5.8      | 1450   | 10                  | 18         | 12.2 | 2 | \$610.23 |

### SPECIAL PARTS / KITS

| MOD       | DESCRIPTION                           | LIST PRICE |
|-----------|---------------------------------------|------------|
| AR2633    | Rail Kit 1-3/4" (2 rails & 4 bolts)   | \$35.18    |
| AR2633H   | Rail Kit 2-5/8" (2 rails & 4 bolts)   | \$46.40    |
| AR3201430 | Tapped Valve Cap Brass (1/8" NPT Tap) | \$36.09    |
| AR64516   | Oil (16 oz)                           | \$15.80    |

### REPAIR KITS

| MOD     | DESCRIPTION     | QTY | LIST PRICE |
|---------|-----------------|-----|------------|
| AR2186  | Valves          | 6   | \$62.00    |
| AR42467 | Pistons         | 3   | \$60.27    |
| AR42469 | Water Seals     | 3   | \$79.63    |
| AR42468 | Oil Seals       | 4   | \$18.17    |
| AR42470 | O-Rings         | 15  | \$20.34    |
| AR2745  | Support Ring    | 3   | \$6.75     |
| AR43435 | Hot Water Seals | 3   | \$479.06   |



### Commercial

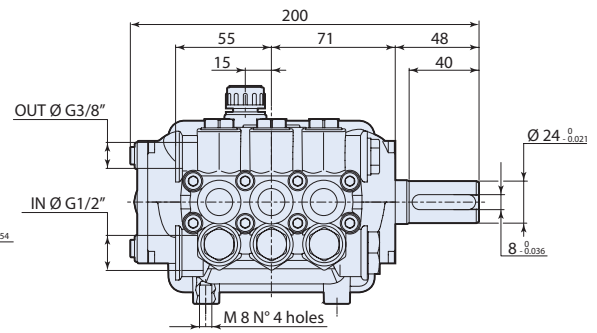
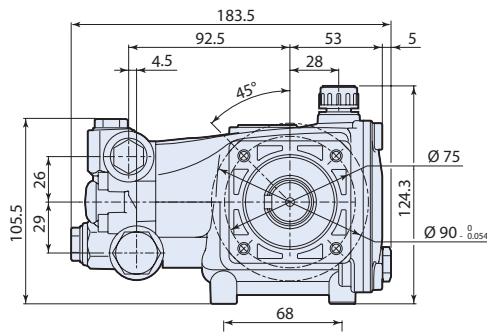
140° F - Max Water Temp  
 1/2" F - Inlet Thread  
 3/8" F - Discharge Thread  
 9.81 oz - Oil Capacity



● brass head



○ aluminum connecting rods



### N version

| MOD   | MAX   | gpm | bar | psi  | ebhp | rpm  | NET | BORE DIA | STROKE | CRANKSHAFT ID STAMP | LIST PRICE |
|---|-------|-----|-----|------|------|------|-----|----------|--------|---------------------|------------|
|   | l/min |     |     |      |      |      | lbs | mm       | mm     |                     | \$         |
| <b>RCA 1750rpm N version 24mm Solid Shaft</b> |       |     |     |      |      |      |     |          |        |                     |            |
| RCA25G25N ● ○                                 | 9.5   | 2.5 | 170 | 2500 | 4.3  | 1750 | 10  | 18       | 6.5    | 8                   | \$610.23   |
| RCA3G25N ● ○                                  | 11.4  | 3   | 170 | 2500 | 5.1  | 1750 | 10  | 18       | 8.2    | 6                   | \$610.23   |
| RCA35G25N ● ○                                 | 13.2  | 3.5 | 170 | 2500 | 6.0  | 1750 | 10  | 18       | 10     | 4                   | \$610.23   |

### SPECIAL PARTS / KITS

| MOD       | DESCRIPTION                           | LIST PRICE |
|-----------|---------------------------------------|------------|
| AR2633    | Rail Kit 1-3/4" (2 rails & 4 bolts)   | \$35.18    |
| AR2633H   | Rail Kit 2-5/8" (2 rails & 4 bolts)   | \$46.40    |
| AR3201430 | Tapped Valve Cap Brass (1/8" NPT Tap) | \$36.09    |
| AR64516   | Oil (16 oz)                           | \$15.80    |

### REPAIR KITS

| MOD     | DESCRIPTION     | QTY | LIST PRICE |
|---------|-----------------|-----|------------|
| AR2186  | Valves          | 6   | \$62.00    |
| AR42467 | Pistons         | 3   | \$60.27    |
| AR42469 | Water Seals     | 3   | \$79.63    |
| AR42468 | Oil Seals       | 4   | \$18.17    |
| AR42470 | O-Rings         | 15  | \$20.34    |
| AR2745  | Support Ring    | 3   | \$6.75     |
| AR43435 | Hot Water Seals | 3   | \$479.06   |

# RCA-F8

## HOLLOW SHAFT PUMP



### Commercial

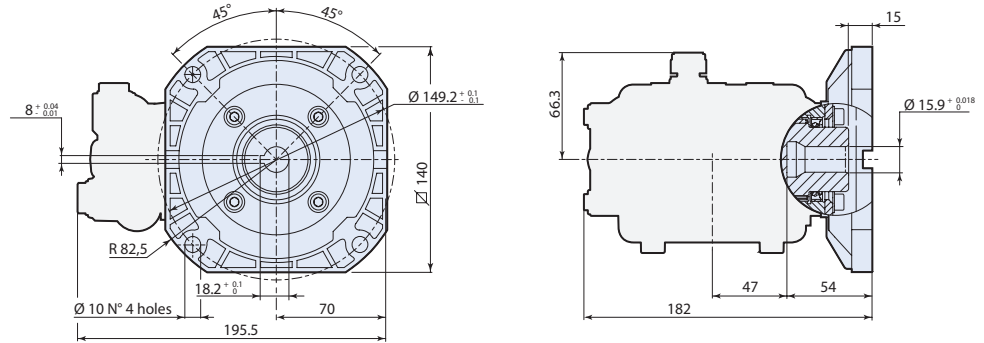
140° F - Max Water Temp  
 1/2" F - Inlet Thread  
 3/8" F - Discharge Thread  
 9.81 oz - Oil Capacity



● brass head



○ aluminum connecting rods



## E version + F8

| MOD   | MAX   | MAX  |     | NET | BORE DIA | STROKE | CRANKSHAFT ID STAMP | LIST PRICE |    |     |    |          |
|---|-------|------|-----|-----|----------|--------|---------------------|------------|----|-----|----|----------|
|   | l/min | gpm  | bar | psi | ebhp     | rpm    | lbs                 | mm         | mm |     | \$ |          |
| <b>RCA 1750rpm E version 5/8" with Nema 56-C Flange</b> |       |      |     |     |          |        |                     |            |    |     |    |          |
| RCA2G22E-F8   | ● ○   | 8    | 2   | 150 | 2200     | 3.0    | 1750                | 11         | 18 | 5.6 | 9  | \$649.19 |
| RCA2G22E-F8SX   | ● ○   | 8    | 2   | 150 | 2200     | 3.0    | 1750                | 11         | 18 | 5.6 | 9  | \$649.19 |
| RCA3G25E-F8   | ● ○   | 11.4 | 3   | 170 | 2500     | 5.1    | 1750                | 11         | 18 | 8.2 | 6  | \$649.19 |
| RCA35G16E-F8  | ● ○   | 13.2 | 3.5 | 110 | 1600     | 3.8    | 1750                | 11         | 18 | 10  | 4  | \$649.19 |

SX - 180° Rotated Shaft Configuration

### SPECIAL PARTS / KITS

| MOD       | DESCRIPTION                           | LIST PRICE |
|-----------|---------------------------------------|------------|
| AR3201430 | Tapped Valve Cap Brass (1/8" NPT Tap) | \$36.09    |
| AR64516   | Oil (16 oz)                           | \$15.80    |

### REPAIR KITS

| MOD     | DESCRIPTION     | QTY | LIST PRICE |
|---------|-----------------|-----|------------|
| AR2186  | Valves          | 6   | \$62.00    |
| AR42467 | Pistons         | 3   | \$60.27    |
| AR42469 | Water Seals     | 3   | \$79.63    |
| AR42474 | Oil Seals       | 4   | \$30.18    |
| AR42470 | O-Rings         | 15  | \$20.34    |
| AR2745  | Support Ring    | 3   | \$6.75     |
| AR43435 | Hot Water Seals | 3   | \$479.06   |





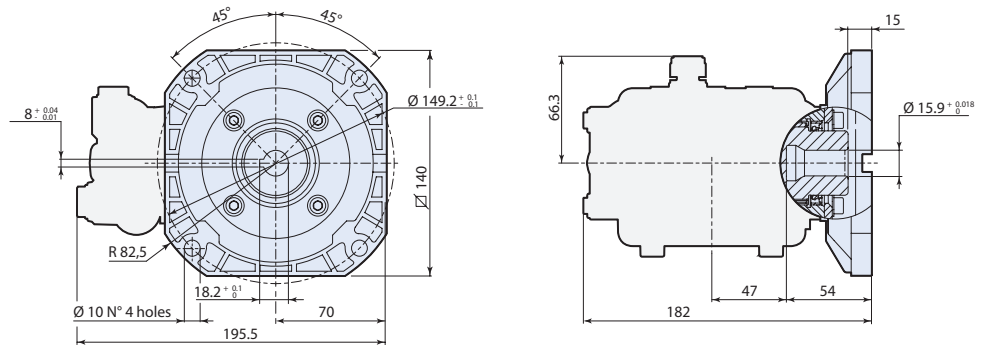
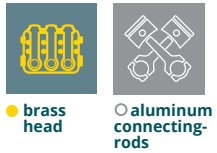
# RCV-F8

## HOLLOW SHAFT PUMP



### Commercial

140° F - Max Water Temp  
 1/2" F - Inlet Thread  
 3/8" F - Discharge Thread  
 9.81 oz - Oil Capacity



### E version + F8

| MOD   | MAX   | MAX |     |      | BORE DIA | STROKE | CRANKSHAFT ID STAMP | LIST PRICE |     |    |          |
|---|-------|-----|-----|------|----------|--------|---------------------|------------|-----|----|----------|
|   | l/min | gpm | bar | psi  | ebhp     | rpm    | lbs                 | mm         | mm  |    |          |
| <b>RCV 3400rpm E version 5/8" with Nema 56-C Flange</b> |       |     |     |      |          |        |                     |            |     |    |          |
| RCV2G25E-F8 ● ○   | 8     | 2   | 170 | 2500 | 3.4      | 3400   | 11                  | 15         | 4.4 | 11 | \$649.19 |
| RCV3G25E-F8 ● ○   | 11.4  | 3   | 170 | 2500 | 5.1      | 3400   | 11                  | 15         | 6.5 | 8  | \$649.19 |

### SPECIAL PARTS / KITS

| MOD       | DESCRIPTION                           | LIST PRICE |
|-----------|---------------------------------------|------------|
| AR3201430 | Tapped Valve Cap Brass (1/8" NPT Tap) | \$36.09    |
| AR64516   | Oil (16 oz)                           | \$15.80    |

### REPAIR KITS

| MOD     | DESCRIPTION     | QTY | LIST PRICE |
|---------|-----------------|-----|------------|
| AR2186  | Valves          | 6   | \$62.00    |
| AR42475 | Pistons         | 3   | \$119.30   |
| AR42476 | Water Seals     | 3   | \$51.10    |
| AR42474 | Oil Seals       | 4   | \$30.18    |
| AR42470 | O-Rings         | 15  | \$20.34    |
| AR2191  | Support Ring    | 3   | \$7.21     |
| AR43434 | Hot Water Seals | 3   | \$536.20   |

# RCV-F8

## HOLLOW SHAFT PUMP



### Commercial

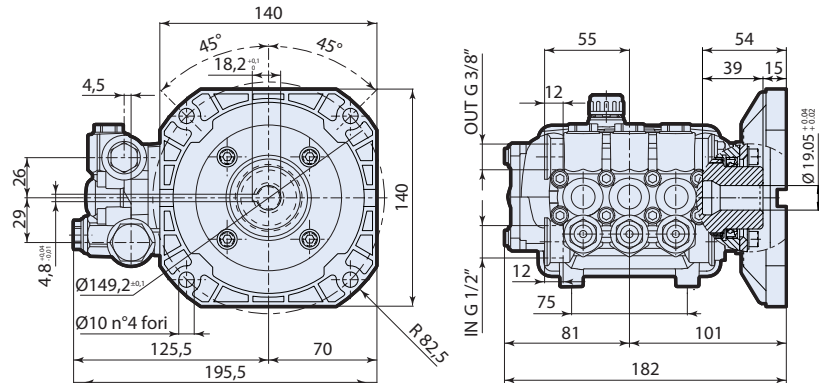
140° F - Max Water Temp  
 1/2" F - Inlet Thread  
 3/8" F - Discharge Thread  
 9.81 oz - Oil Capacity



● brass head



○ aluminum connecting-rods



## D version + F8

| MOD   | MAX   | MAX |     |      |      |      |     | BORE DIA | STROKE | CRANKSHAFT ID STAMP | LIST PRICE |
|---|-------|-----|-----|------|------|------|-----|----------|--------|---------------------|------------|
|   | l/min | gpm | bar | psi  | ebhp | rpm  | lbs | mm       | mm     |                     | \$         |
| <b>RCV 3400rpm D version 3/4" with Nema 56-C Flange</b> |       |     |     |      |      |      |     |          |        |                     |            |
| RCV25G27D-F8  | 9.5   | 2.5 | 186 | 2700 | 5.6  | 3400 | 11  | 15       | 5.6    | 9                   | \$649.19   |
| RCV3G27D-F8   | 11.4  | 3   | 186 | 2700 | 5.6  | 3400 | 11  | 15       | 6.5    | 8                   | \$649.19   |

### SPECIAL PARTS / KITS

| MOD     | DESCRIPTION | LIST PRICE |
|---------|-------------|------------|
| AR64516 | Oil (16 oz) | \$15.80    |

### REPAIR KITS

| MOD     | DESCRIPTION        | QTY | LIST PRICE |
|---------|--------------------|-----|------------|
| AR2186  | Valves             | 6   | \$62.00    |
| AR42475 | Pistons            | 3   | \$119.30   |
| AR42476 | Water Seals        | 3   | \$51.10    |
| AR42474 | Oil Seals          | 4   | \$30.18    |
| AR42470 | O-Rings            | 15  | \$20.34    |
| AR2191  | Support Ring       | 3   | \$7.21     |
| AR43434 | Hot Water Seal Kit | 3   | \$536.20   |



# RCV-F7

## HOLLOW SHAFT PUMP



### Commercial

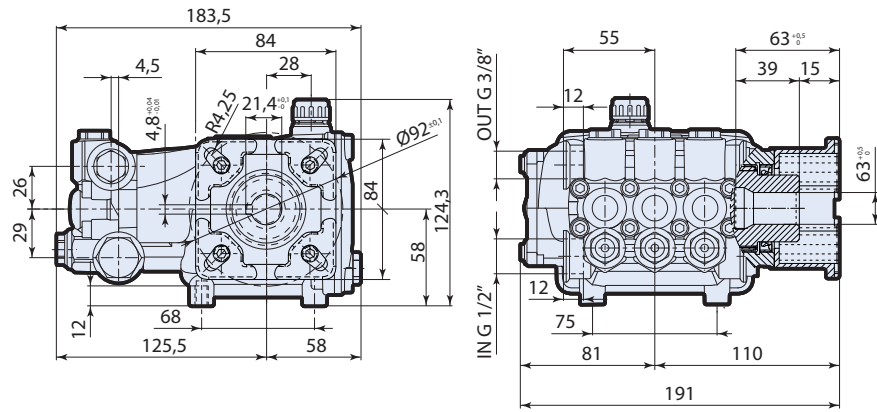
140° F - Max Water Temp  
 1/2" F - Inlet Thread  
 3/8" F - Discharge Thread  
 9.81 oz - Oil Capacity



● brass head



○ aluminum connecting rods



## D version + F7

| MOD   | MAX   | MAX  |     | NET | BORE DIA | STROKE | CRANKSHAFT ID STAMP | LIST PRICE |    |     |    |          |
|---|-------|------|-----|-----|----------|--------|---------------------|------------|----|-----|----|----------|
|   | l/min | gpm  | bar | psi | ebhp     | rpm    | lbs                 | mm         | mm |     | \$ |          |
| <b>RCV 3400 rpm D version 3/4" with Gas Engine Flange</b> |       |      |     |     |          |        |                     |            |    |     |    |          |
| RCV2G22D-F7   | ● ○   | 8    | 2   | 150 | 2200     | 3.0    | 3400                | 11         | 15 | 4.4 | 11 | \$649.19 |
| RCV25G27D-F7-SX   | ● ○   | 9.5  | 2.5 | 186 | 2700     | 4.6    | 3400                | 11         | 15 | 5.6 | 9  | \$649.19 |
| RCV25G27D-F7  | ● ○   | 9.5  | 2.5 | 186 | 2700     | 4.6    | 3400                | 11         | 15 | 5.6 | 9  | \$649.19 |
| RCV3G27D-F7   | ● ○   | 11.4 | 3   | 186 | 2700     | 5.6    | 3400                | 11         | 15 | 6.5 | 8  | \$649.19 |
| RCV35G25D-F7  | ● ○   | 13.2 | 3.5 | 170 | 2500     | 6.0    | 3400                | 11         | 15 | 7.4 | 7  | \$649.19 |

SX - 180° Rotated Shaft Configuration

### SPECIAL PARTS / KITS

| MOD     | DESCRIPTION | LIST PRICE |
|---------|-------------|------------|
| AR64516 | Oil (16 oz) | \$15.80    |

### REPAIR KITS

| MOD     | DESCRIPTION        | QTY | LIST PRICE |
|---------|--------------------|-----|------------|
| AR2186  | Valves             | 6   | \$62.00    |
| AR42475 | Pistons            | 3   | \$119.30   |
| AR42476 | Water Seals        | 3   | \$51.10    |
| AR42474 | Oil Seals          | 4   | \$30.18    |
| AR42470 | O-Rings            | 15  | \$20.34    |
| AR2191  | Support Ring       | 3   | \$7.21     |
| AR43434 | Hot Water Seal Kit | 3   | \$536.20   |



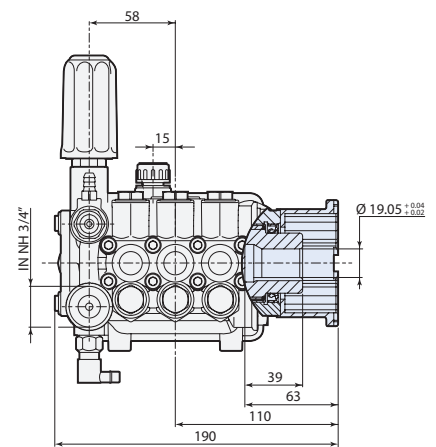
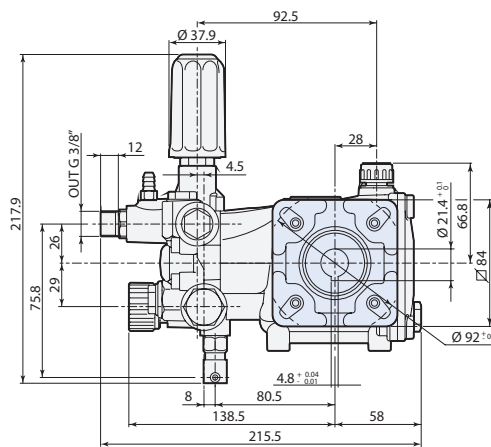
# RCVU-F7

## HOLLOW SHAFT PUMP



### Commercial

140° F - Max Water Temp  
 1/2" F - Inlet Thread  
 3/8" F - Discharge Thread  
 9.81 oz - Oil Capacity



## D version + F7

| MOD | MAX   | MAX |     | NET | BORE DIA | STROKE | CRANKSHAFT ID STAMP | LIST PRICE |    |  |    |
|-----|-------|-----|-----|-----|----------|--------|---------------------|------------|----|--|----|
|     | l/min | gpm | bar | psi | ebhp     | rpm    | lbs                 | mm         | mm |  | \$ |

| RCVU 3400rpm D version 3/4" with Gas Engine Flange |       |      |     |     |      |     |      |    |    |     |   |          |
|--|-------|------|-----|-----|------|-----|------|----|----|-----|---|----------|
| RCVU25G27D-F7-EZ                                   | ● ○ ● | 11.4 | 2.5 | 186 | 2700 | 5.6 | 3400 | 11 | 15 | 6.5 | 8 | \$753.06 |
| RCVU3G27D-F7-EZ                                    | ● ○ ● | 11.4 | 3   | 186 | 2700 | 5.6 | 3400 | 11 | 15 | 5.6 | 9 | \$753.06 |
| RCVU35G25D-F7-EZ                                   | ● ○ ● | 11.4 | 3.5 | 186 | 2500 | 5.6 | 3400 | 11 | 15 | 7.4 | 7 | \$753.06 |

### SPECIAL PARTS / KITS

| MOD     | DESCRIPTION | LIST PRICE |
|---------|-------------|------------|
| AR64516 | Oil (16 oz) | \$15.80    |

### REPAIR KITS

| MOD     | DESCRIPTION        | QTY | LIST PRICE |
|---------|--------------------|-----|------------|
| AR2186  | Valves             | 6   | \$62.00    |
| AR42475 | Pistons            | 3   | \$119.30   |
| AR42476 | Water Seals        | 3   | \$51.10    |
| AR42474 | Oil Seals          | 4   | \$30.18    |
| AR42470 | O-Rings            | 15  | \$20.34    |
| AR2191  | Support Ring       | 3   | \$7.21     |
| AR43434 | Hot Water Seal Kit | 3   | \$536.20   |
| AR42712 | Unloader Kit       | 22  | \$83.62    |



XT

SOLID SHAFT PUMP



Commercial

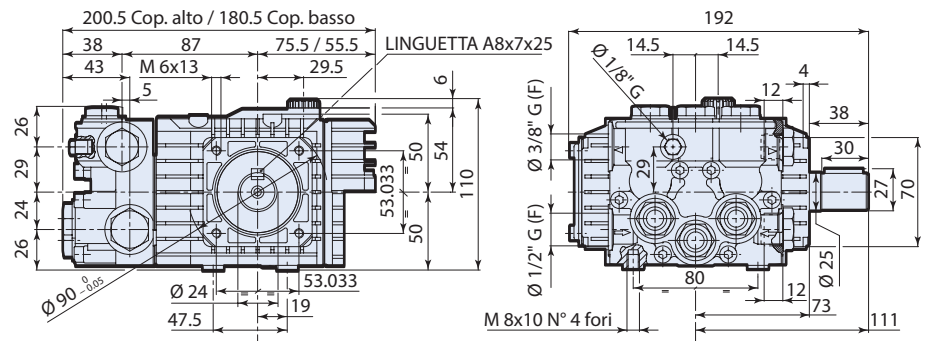
140° F - Max Water Temp  
 1/2" F - Inlet Thread  
 3/8" F - Discharge Thread  
 10 oz - Oil Capacity



● brass head



○ bronze connecting rods



N version

| MOD  | MAX   | MAX  |     | NET  | BORE DIA | STROKE | CRANKSHAFT ID STAMP | LIST PRICE |    |   |          |
|--|-------|------|-----|------|----------|--------|---------------------|------------|----|---|----------|
|  | l/min | gpm  | bar | psi  | ebhp     | rpm    | lbs                 | mm         | mm |   | \$       |
| <b>XT 1450rpm N version 24mm Solid Shaft</b> |       |      |     |      |          |        |                     |            |    |   |          |
| XT814N ● ○                                   | 8     | 2.11 | 140 | 2000 | 3.0      | 1450   | 11                  | 15         | 11 | 6 | \$720.01 |

SPECIAL PARTS / KITS

| MOD        | DESCRIPTION                         | LIST PRICE |
|------------|-------------------------------------|------------|
| AR1836     | Rail Kit 3/8" (2 rails & 4 bolts)   | \$26.67    |
| AR1836H    | Rail Kit 1-1/2" (2 rails & 4 bolts) | \$35.18    |
| AR2029     | Viton Water Seals Ø 15              | \$341.56   |
| AR2815     | Kit for up to 180° F Ø 15 High Temp | \$507.10   |
| AR1260162T | Valve Cap 1/4" Threaded             | \$14.16    |
| AR64516    | Oil (16 oz)                         | \$15.80    |

REPAIR KITS

| MOD    | DESCRIPTION      | QTY | LIST PRICE |
|--------|------------------|-----|------------|
| AR1864 | Valves           | 6   | \$59.29    |
| AR2628 | Pistons Ø 15     | 3   | \$147.83   |
| AR2520 | Water Seals Ø 15 | 3   | \$104.81   |
| AR1872 | Oil Seals        | 6   | \$48.95    |



### Commercial

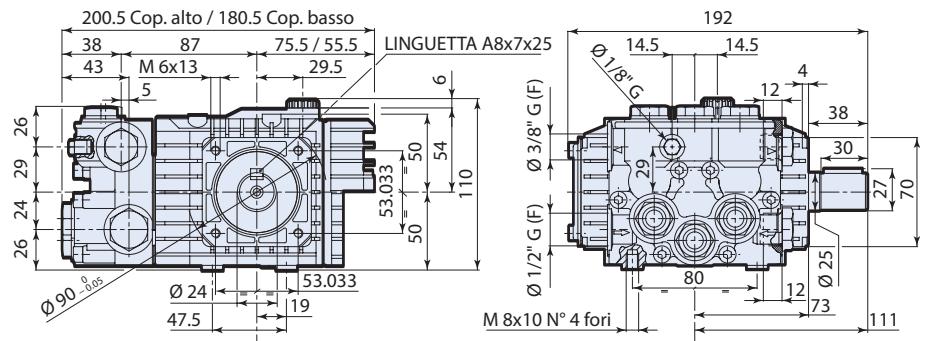
140° F - Max Water Temp  
 1/2" F - Inlet Thread  
 3/8" F - Discharge Thread  
 10 oz - Oil Capacity



● brass head



○ aluminum connecting rods



### N version

| MOD   | MAX   | MAX  |     | NET  | BORE DIA | STROKE | CRANKSHAFT ID STAMP | LIST PRICE |     |   |          |
|---|-------|------|-----|------|----------|--------|---------------------|------------|-----|---|----------|
|   | l/min | gpm  | bar | psi  | ebhp     | rpm    | lbs                 | mm         | mm  |   | \$       |
| <b>XTA 1750rpm N version 24mm Solid Shaft</b> |       |      |     |      |          |        |                     |            |     |   |          |
| XTA2G20N ● ○                                  | 8     | 2.11 | 140 | 2000 | 3.0      | 1750   | 11                  | 15         | 9.6 | 5 | \$743.62 |
| XTA3G22N ● ○                                  | 11.4  | 3    | 150 | 2200 | 4.5      | 1750   | 11                  | 18         | 9.6 | 5 | \$790.83 |

### SPECIAL PARTS / KITS

| MOD        | DESCRIPTION                         | LIST PRICE |
|------------|-------------------------------------|------------|
| AR1836     | Rail Kit 3/8" (2 rails & 4 bolts)   | \$26.67    |
| AR1836H    | Rail Kit 1-1/2" (2 rails & 4 bolts) | \$35.18    |
| AR2029     | Viton Water Seals ø 15              | \$341.56   |
| AR2030     | Viton Water Seals ø 18              | \$358.04   |
| AR2815     | Kit for up to 180° F ø 15 High Temp | \$507.10   |
| AR2816     | Kit for up to 180° F ø 18 High Temp | \$519.75   |
| AR1260162T | Valve Cap 1/4" Threaded             | \$14.16    |
| AR64516    | Oil (16 oz)                         | \$15.80    |

### REPAIR KITS

| MOD    | DESCRIPTION      | QTY | LIST PRICE |
|--------|------------------|-----|------------|
| AR1864 | Valves           | 6   | \$59.29    |
| AR2628 | Pistons ø 15     | 3   | \$147.83   |
| AR2629 | Pistons ø 18     | 3   | \$206.30   |
| AR2520 | Water Seals ø 15 | 3   | \$104.81   |
| AR1874 | Water Seals ø 18 | 3   | \$108.41   |
| AR1872 | Oil Seals        | 6   | \$48.95    |





# XTA-F8

## HOLLOW SHAFT PUMP



### Commercial

- 140° F - Max Water Temp
- 1/2" F - Inlet Thread
- 3/8" F - Discharge Thread
- 8 oz - Oil Capacity PSI ≤ 1600 PSI
- 10 oz - Oil Capacity PSI ≥ 1600 PSI



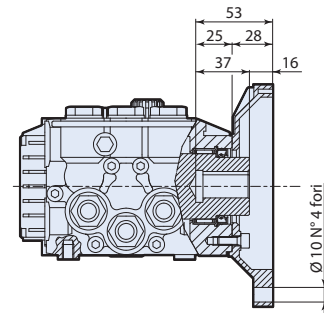
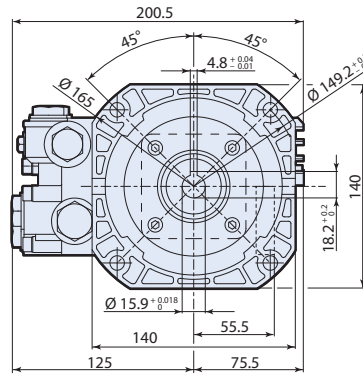
● brass head



○ bronze connecting rods



○ aluminum connecting rods



### E version + F8

| MOD   | MAX   | MAX  |     |      | BORE DIA | STROKE | CRANKSHAFT ID STAMP | LIST PRICE |     |   |          |
|---|-------|------|-----|------|----------|--------|---------------------|------------|-----|---|----------|
|   | l/min | gpm  | bar | psi  | mm       | mm     |                     | \$         |     |   |          |
| <b>XTA 1750rpm E version 5/8" with Nema 56-C Flange</b> |       |      |     |      |          |        |                     |            |     |   |          |
| XTA0.5G10EBA-F8 ● ○                                     | 1.9   | 0.5  | 69  | 1000 | 0.4      | 1750   | 8.5                 | 15         | 2.2 | Z | \$767.23 |
| XTA1G15E-F8 ● ○   | 3.8   | 1    | 103 | 1500 | 1.0      | 1750   | 10                  | 15         | 4.8 | D | \$767.23 |
| XTA2G15EBA-F8 ● ○                                       | 8     | 2.11 | 124 | 1800 | 2.6      | 1750   | 10                  | 15         | 9.6 | 5 | \$767.23 |
| XTA2G22E-F8 ● ○   | 8     | 2.11 | 152 | 2200 | 3.2      | 1750   | 11                  | 15         | 9.6 | 5 | \$814.44 |
| XTA3G16EBA-F8 ● ○                                       | 11.4  | 3    | 110 | 1600 | 3.3      | 1750   | 10                  | 18         | 9.6 | 5 | \$790.83 |
| XTA3G22E-F8 ● ○   | 11.4  | 3    | 150 | 2200 | 4.5      | 1750   | 11                  | 18         | 9.6 | 5 | \$838.04 |

### SPECIAL PARTS / KITS

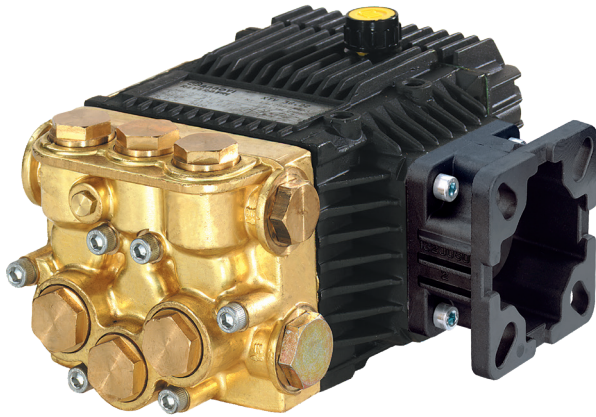
| MOD        | DESCRIPTION                         | LIST PRICE |
|------------|-------------------------------------|------------|
| AR2029     | Viton Water Seals ø 15              | \$341.56   |
| AR2030     | Viton Water Seals ø 18              | \$358.04   |
| AR2815     | Kit for up to 180° F ø 15 High Temp | \$507.10   |
| AR2816     | Kit for up to 180° F ø 18 High Temp | \$519.75   |
| AR1260162T | Valve Cap 1/4" Threaded             | \$14.16    |
| AR64516    | Oil (16 oz)                         | \$15.80    |

### REPAIR KITS

| MOD    | DESCRIPTION      | QTY | LIST PRICE |
|--------|------------------|-----|------------|
| AR1864 | Valves           | 6   | \$59.29    |
| AR2628 | Pistons ø 15     | 3   | \$147.83   |
| AR2629 | Pistons ø 18     | 3   | \$206.30   |
| AR2520 | Water Seals ø 15 | 3   | \$104.81   |
| AR1874 | Water Seals ø 18 | 3   | \$108.41   |
| AR1860 | Oil Seals        | 6   | \$56.36    |

# XTV-F7

## HOLLOW SHAFT PUMP



### Commercial

140° F - Max Water Temp  
 1/2" F - Inlet Thread  
 3/8" F - Discharge Thread  
 8 oz - Oil Capacity PSI ≤ 1600 PSI  
 10 oz - Oil Capacity PSI ≥ 1600 PSI



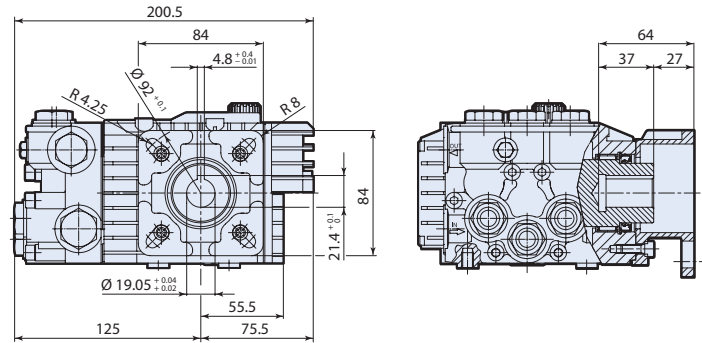
● brass head



○ bronze connecting-  
rods



○ aluminum connecting-  
rods



### D version + F7

| MOD  | MAX   | MAX  |     | NET  | BORE DIA | STROKE | CRANKSHAFT ID STAMP | LIST PRICE |          |
|--|-------|------|-----|------|----------|--------|---------------------|------------|----------|
|  | l/min | gpm  | bar | psi  | ebhp     | rpm    | lbs                 | mm         |          |
| <b>XTV 3400rpm D version 3/4" with Gas Engine Flange</b> |       |      |     |      |          |        |                     |            |          |
| XTV2G15DBA-F7 ● ○  | 8     | 2.11 | 103 | 1500 | 2.2      | 3400   | 10                  | 15 4.8 D   | \$767.23 |
| XTV3G22D-F7 ● ○  | 11.4  | 3    | 150 | 2200 | 4.5      | 3400   | 11                  | 15 7.2 C   | \$814.44 |

### SPECIAL PARTS / KITS

| MOD        | DESCRIPTION                                     | LIST PRICE |
|------------|---|------------|
| AR2029     | Viton Water Seals $\varnothing$ 15              | \$341.56   |
| AR2815     | Kit for up to 180° F $\varnothing$ 15 High Temp | \$507.10   |
| AR1260162T | Valve Cap 1/4" Threaded                         | \$14.16    |
| AR64516    | Oil (16 oz)                                     | \$15.80    |

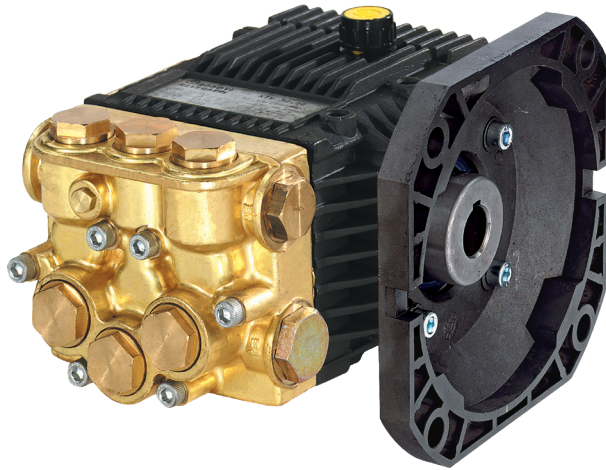
### REPAIR KITS

| MOD    | DESCRIPTION                  | QTY | LIST PRICE |
|--------|------------------------------|-----|------------|
| AR1864 | Valves                       | 6   | \$59.29    |
| AR2628 | Pistons $\varnothing$ 15     | 3   | \$147.83   |
| AR2520 | Water Seals $\varnothing$ 15 | 3   | \$104.81   |
| AR1860 | Oil Seals                    | 6   | \$56.36    |



# XTV-F8

## HOLLOW SHAFT PUMP



### Commercial

140° F - Max Water Temp  
 1/2" F - Inlet Thread  
 3/8" F - Discharge Thread  
 8 oz - Oil Capacity PSI ≤ 1600 PSI  
 10 oz - Oil Capacity PSI ≥ 1600 PSI



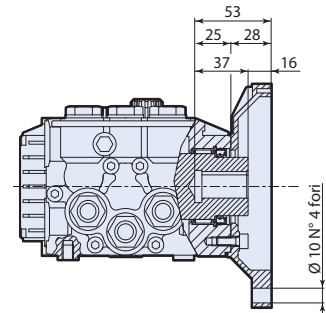
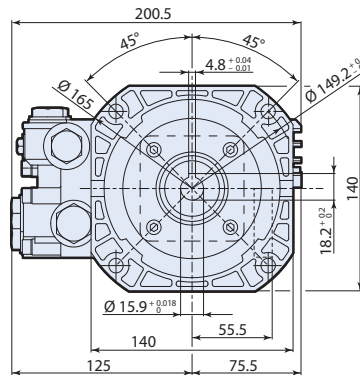
● brass head



○ bronze connecting rods



○ aluminum connecting rods



### E version + F8

| MOD  | MAX   | MAX  |      | NET | BORE DIA | STROKE | CRANKSHAFT ID STAMP | LIST PRICE |    |     |    |          |
|--|-------|------|------|-----|----------|--------|---------------------|------------|----|-----|----|----------|
|  | l/min | gpm  | bar  | psi | ebhp     | rpm    | lbs                 | mm         | mm |     | \$ |          |
| <b>XTV 3400 rpm E version 5/8" with Nema 56-C Flange</b> |       |      |      |     |          |        |                     |            |    |     |    |          |
| XTV0.5G10E-F8  | ● ○   | 1.9  | 0.5  | 69  | 1000     | 0.4    | 3400                | 8.5        | 15 | 1.5 | Z  | \$767.23 |
| XTV2G15EBA-F8  | ● ○   | 8    | 2.11 | 103 | 1500     | 2.2    | 3400                | 10         | 15 | 4.8 | D  | \$767.23 |
| XTV3G16E-F8  | ● ○   | 11.4 | 3    | 110 | 1600     | 3.3    | 3400                | 10         | 15 | 7.2 | C  | \$767.23 |
| XTV3G22E-F8  | ● ○   | 11.4 | 3    | 150 | 2200     | 4.5    | 3400                | 11         | 15 | 7.2 | C  | \$814.44 |

### SPECIAL PARTS / KITS

| MOD        | DESCRIPTION                         | LIST PRICE |
|------------|-------------------------------------|------------|
| AR2029     | Viton Water Seals ø 15              | \$341.56   |
| AR2815     | Kit for up to 180° F ø 15 High Temp | \$507.10   |
| AR1260162T | Valve Cap 1/4" Threaded             | \$14.16    |
| AR64516    | Oil (16 oz)                         | \$15.80    |

### REPAIR KITS

| MOD    | DESCRIPTION      | QTY | LIST PRICE |
|--------|------------------|-----|------------|
| AR1864 | Valves           | 6   | \$59.29    |
| AR2628 | Pistons ø 15     | 3   | \$147.83   |
| AR2520 | Water Seals ø 15 | 3   | \$104.81   |
| AR1860 | Oil Seals        | 6   | \$56.36    |





### Commercial

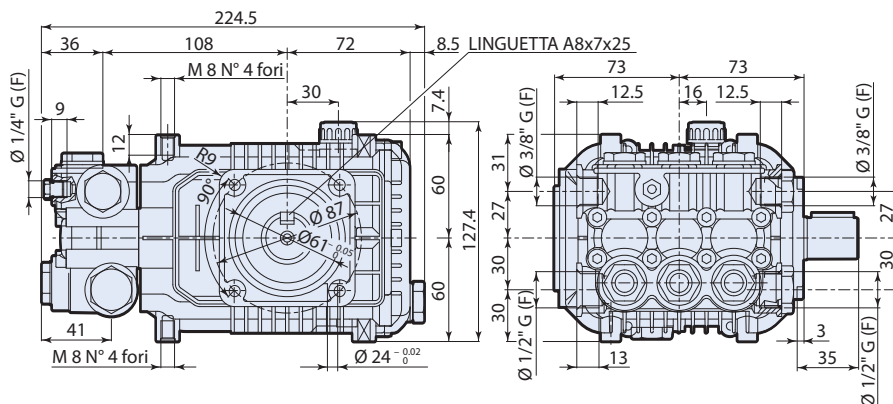
140° F - Max Water Temp  
 1/2" F - Inlet Thread  
 3/8" F - Discharge Thread  
 14.5 oz - Oil Capacity



● brass head



○ aluminum connecting rods



### N version

| MOD   | MAX   | MAX |     |     | BORE DIA | STROKE | CRANKSHAFT ID STAMP | LIST PRICE |    |      |    |          |
|---|-------|-----|-----|-----|----------|--------|---------------------|------------|----|------|----|----------|
|   | l/min | gpm | bar | psi | ebhp     | rpm    | lbs                 | mm         | mm |      | \$ |          |
| <b>XM 1450 rpm N version 24mm Solid Shaft</b> |       |     |     |     |          |        |                     |            |    |      |    |          |
| XM1117N                                       | ● ○   | 11  | 2.9 | 206 | 3000     | 6.0    | 3400                | 14         | 15 | 15.4 | 1  | \$684.60 |
| XM1515N                                       | ● ○   | 15  | 4.0 | 206 | 3000     | 8.2    | 3400                | 14         | 18 | 14.2 | 2  | \$708.21 |

### SPECIAL PARTS / KITS

| MOD     | DESCRIPTION                                  | LIST PRICE |
|---------|--|------------|
| AR2729  | Rail Kit 5/8" (2 rails & 4 bolts)            | \$32.02    |
| AR2633  | Rail Kit 1-3/4" (2 rails & 4 bolts)          | \$35.18    |
| AR2633H | Rail Kit 2-5/8" (2 rails & 4 bolts)          | \$46.40    |
| AR2776  | Viton Water Seals Ø 15                       | \$360.60   |
| AR2777  | Viton Water Seals Ø 18                       | \$360.60   |
| AR2817  | Kit for up to 180° F Ø 15 High Temp          | \$411.87   |
| AR2818  | Kit for up to 180° F Ø 18 High Temp          | \$414.42   |
| AR42212 | Kit for up to 180° F Ø 15 High Temp (Teflon) | \$636.50   |
| AR64516 | Oil (16 oz)                                  | \$15.80    |
| AR46718 | Teflon Hot Water Seals Ø 18                  | \$485.62   |

### REPAIR KITS

| MOD    | DESCRIPTION       | QTY | LIST PRICE |
|--------|-------------------|-----|------------|
| AR1864 | Valves            | 6   | \$59.29    |
| AR2544 | Pistons Ø 15      | 3   | \$179.97   |
| AR2545 | Pistons Ø 18      | 3   | \$200.69   |
| AR2741 | Water Seals Ø 15  | 3   | \$108.65   |
| AR2747 | Water Seals Ø 18  | 3   | \$119.51   |
| AR2786 | Oil Seals         | 6   | \$48.32    |
| AR2740 | Support Ring Ø 15 | 3   | \$13.54    |
| AR2745 | Support Ring Ø 18 | 3   | \$6.75     |



# XMA

## SOLID SHAFT PUMP



### Commercial

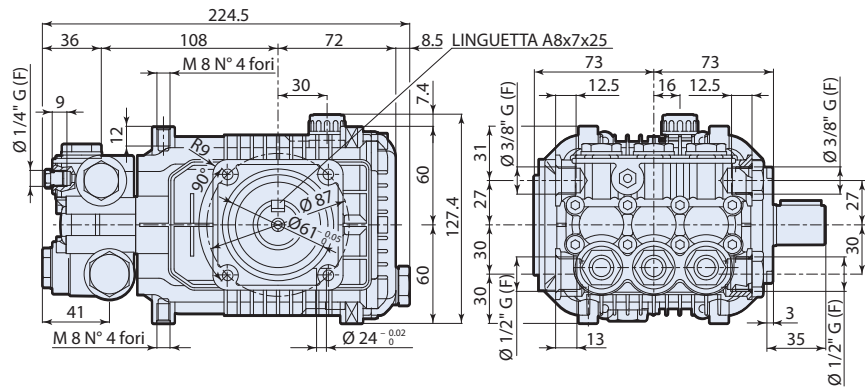
140° F - Max Water Temp  
 1/2" F - Inlet Thread  
 3/8" F - Discharge Thread  
 14.5 oz - Oil Capacity



● brass head



○ aluminum connecting rods



### N version

| MOD | MAX   | MAX |     | NET | BORE DIA | STROKE | CRANKSHAFT ID STAMP | LIST PRICE |    |  |    |
|-----|-------|-----|-----|-----|----------|--------|---------------------|------------|----|--|----|
|     | l/min | gpm | bar | psi | ebhp     | rpm    | lbs                 | mm         | mm |  | \$ |

#### XMA 1750rpm N version 24mm Solid Shaft

|           |     |      |     |     |      |     |      |    |    |      |   |          |
|-----------|-----|------|-----|-----|------|-----|------|----|----|------|---|----------|
| XMA3G25N  | ● ○ | 11.4 | 3   | 170 | 2500 | 5.0 | 1750 | 14 | 15 | 13.2 | 3 | \$684.60 |
| XMA35G25N | ● ○ | 13.2 | 3.5 | 170 | 2500 | 6.0 | 1750 | 14 | 15 | 15.4 | 1 | \$684.60 |
| XMA4G20N  | ● ○ | 15.1 | 4   | 140 | 2000 | 5.5 | 1750 | 14 | 18 | 13.2 | 3 | \$708.21 |

### SPECIAL PARTS / KITS

| MOD     | DESCRIPTION                                | LIST PRICE |
|---------|--|------------|
| AR2729  | Rail Kit 5/8" (2 rails & 4 bolts)          | \$32.02    |
| AR2633  | Rail Kit 1-3/4" (2 rails & 4 bolts)        | \$35.18    |
| AR2633H | Rail Kit 2-5/8" (2 rails & 4 bolts)        | \$46.40    |
| AR2776  | Viton Water Seals ø 15                     | \$360.60   |
| AR2777  | Viton Water Seals ø 18                     | \$360.60   |
| AR2817  | Kit for up to 180° F ø 15 High Temp        | \$411.87   |
| AR2818  | Kit for up to 180° F ø 18 High Temp        | \$414.42   |
| AR42212 | Kit for up to 180° F ø 15 High Temp Teflon | \$636.50   |
| AR64516 | Oil (16 oz)                                | \$15.80    |
| AR46718 | Teflon Hot Water Seals ø 18                | \$485.62   |

### REPAIR KITS

| MOD    | DESCRIPTION       | QTY | LIST PRICE |
|--------|-------------------|-----|------------|
| AR1864 | Valves            | 6   | \$59.29    |
| AR2544 | Pistons ø 15      | 3   | \$179.97   |
| AR2545 | Pistons ø 18      | 3   | \$200.69   |
| AR2741 | Water Seals ø 15  | 3   | \$108.65   |
| AR2747 | Water Seals ø 18  | 3   | \$119.51   |
| AR2786 | Oil Seals         | 6   | \$48.32    |
| AR2740 | Support Ring ø 15 | 3   | \$13.54    |
| AR2745 | Support Ring ø 18 | 3   | \$6.75     |

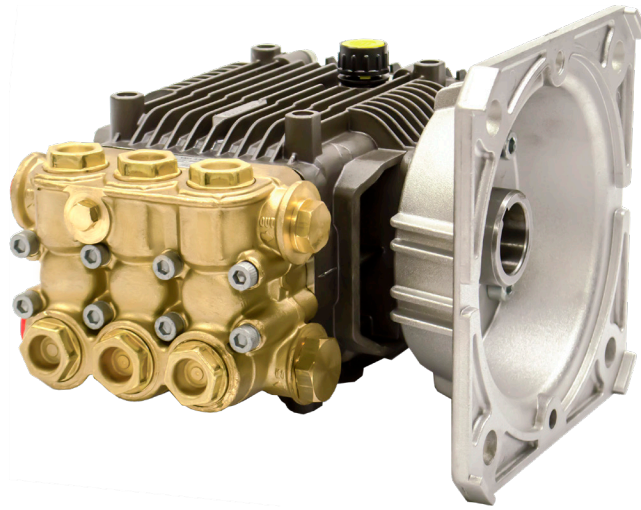






# XMA-F17

## HOLLOW SHAFT PUMP



### Commercial

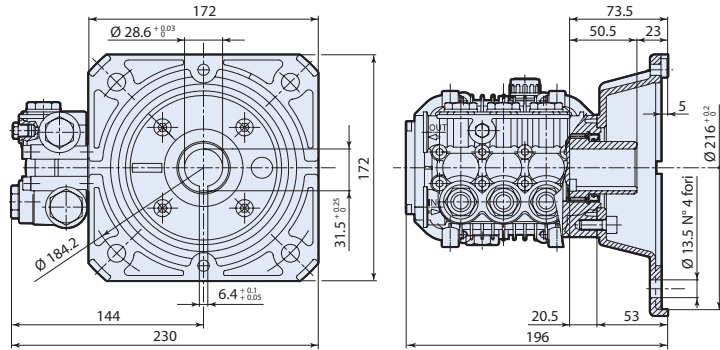
140° F - Max Water Temp  
 1/2" F - Inlet Thread  
 3/8" F - Discharge Thread  
 14.5 oz - Oil Capacity



● brass head



○ aluminum connecting rods



### E version + F17

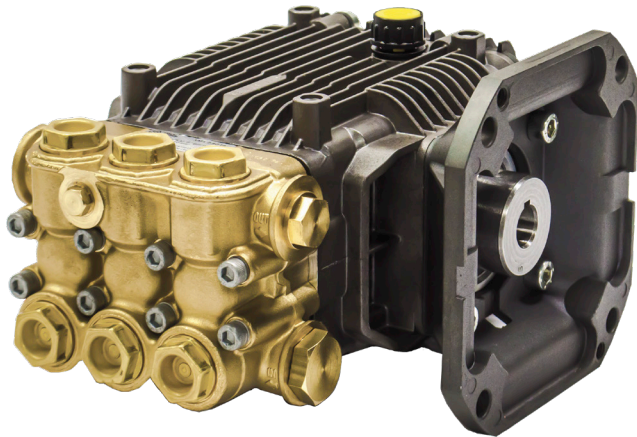
| MOD  | MAX   | MAX  |     | NET | BORE DIA | STROKE | CRANKSHAFT ID STAMP | LIST PRICE |    |      |    |          |
|--|-------|------|-----|-----|----------|--------|---------------------|------------|----|------|----|----------|
|  | l/min | gpm  | bar | psi | ebhp     | rpm    | lbs                 | mm         | mm |      | \$ |          |
| <b>XMA 1750rpm E version 1-1/8" with Nema 182-184 Flange</b> |       |      |     |     |          |        |                     |            |    |      |    |          |
| XMA3G30E-F17   | ● ○   | 11.4 | 3   | 206 | 3000     | 6.2    | 1750                | 15         | 15 | 13.2 | 3  | \$779.03 |
| XMA35G25E-F17  | ● ○   | 13.2 | 3.5 | 170 | 2500     | 6.0    | 1750                | 15         | 15 | 15.4 | 1  | \$779.03 |

### SPECIAL PARTS / KITS

| MOD     | DESCRIPTION                                  | LIST PRICE |
|---------|--|------------|
| AR2776  | Viton Water Seals $\text{Ø} 15$              | \$360.60   |
| AR2817  | Kit for up to 180° F $\text{Ø} 15$ High Temp | \$411.87   |
| AR64516 | Oil (16 oz)                                  | \$15.80    |
| AR42212 | Teflon Hot Water Seals $\text{Ø} 15$         | \$636.50   |

### REPAIR KITS

| MOD    | DESCRIPTION                | QTY | LIST PRICE |
|--------|----------------------------|-----|------------|
| AR1864 | Valves                     | 6   | \$59.29    |
| AR2544 | Pistons $\text{Ø} 15$      | 3   | \$179.97   |
| AR2741 | Water Seals $\text{Ø} 15$  | 3   | \$108.65   |
| AR2787 | Oil Seals                  | 6   | \$59.70    |
| AR2740 | Support Ring $\text{Ø} 15$ | 3   | \$13.54    |



### Commercial

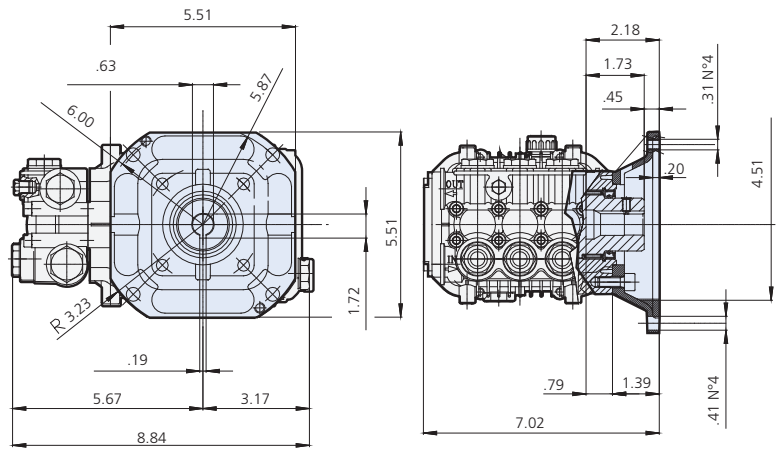
140° F - Max Water Temp  
 1/2" F - Inlet Thread  
 3/8" F - Discharge Thread  
 14.5 oz - Oil Capacity



● brass head



○ aluminum connecting rods



### E version + F33

| MOD   | MAX   | MAX  |      | NET | BORE DIA | STROKE | CRANKSHAFT ID STAMP | LIST PRICE |    |      |    |          |
|---|-------|------|------|-----|----------|--------|---------------------|------------|----|------|----|----------|
|   | l/min | gpm  | bar  | psi | ebhp     | rpm    | lbs                 | mm         | mm |      | \$ |          |
| <b>XMA 1750rpm E version 5/8" with Nema 56-C Flange</b> |       |      |      |     |          |        |                     |            |    |      |    |          |
| XMA2G22E-F33  | ● ○   | 8    | 2.11 | 150 | 2200     | 3.0    | 1750                | 15         | 15 | 9.4  | 7  | \$731.82 |
| XMA25G18E-F33   | ● ○   | 9.5  | 2.5  | 120 | 1800     | 3.0    | 1750                | 15         | 15 | 10.6 | 5  | \$731.82 |
| XMA3G18E-F33  | ● ○   | 11.4 | 3    | 120 | 1800     | 4.0    | 1750                | 15         | 15 | 13.2 | 3  | \$731.82 |
| XMA4G20E-F33  | ● ○   | 15.1 | 4    | 138 | 2000     | 4.0    | 1750                | 15         | 15 | 13.2 | 3  | \$755.43 |

### SPECIAL PARTS / KITS

| MOD     | DESCRIPTION                         | LIST PRICE |
|---------|-------------------------------------|------------|
| AR2776  | Viton Water Seals ø 15              | \$350.10   |
| AR2817  | Kit for up to 180° F ø 15 High Temp | \$399.87   |
| AR64516 | Oil (16 oz)                         | \$15.34    |
| AR42212 | Teflon Hot Water Seals ø 15         | \$636.50   |

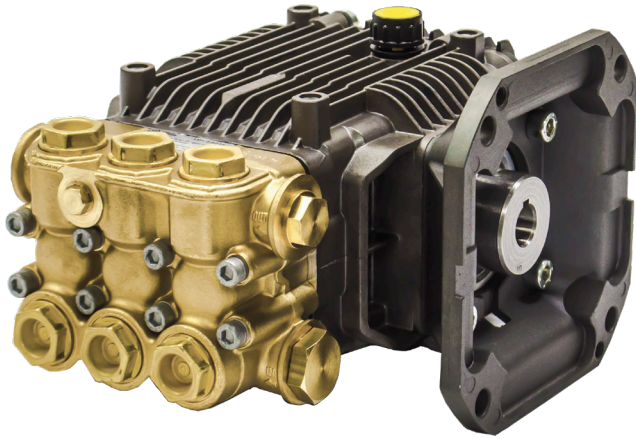
### REPAIR KITS

| MOD    | DESCRIPTION       | QTY | LIST PRICE |
|--------|-------------------|-----|------------|
| AR1864 | Valves            | 6   | \$59.29    |
| AR2544 | Pistons ø 15      | 3   | \$179.97   |
| AR2741 | Water Seals ø 15  | 3   | \$108.65   |
| AR2787 | Oil Seals         | 6   | \$59.70    |
| AR2740 | Support Ring ø 15 | 3   | \$13.54    |



# XMV

## HOLLOW SHAFT PUMP



### Commercial

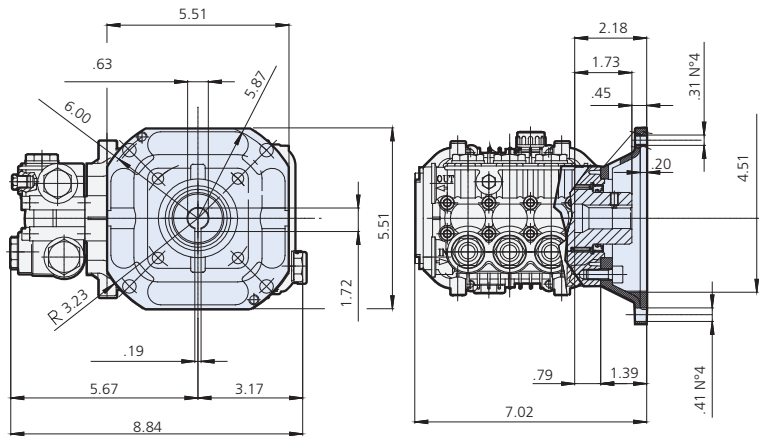
140° F - Max Water Temp  
 1/2" F - Inlet Thread  
 3/8" F - Discharge Thread  
 14.5 oz - Oil Capacity



● brass head



○ aluminum connecting rods



### E version + F33

| MOD  | MAX   | MAX | MAX | MAX  | F    | NET  | BORE DIA | STROKE | CRANKSHAFT ID STAMP | LIST PRICE |          |
|--|-------|-----|-----|------|------|------|----------|--------|---------------------|------------|----------|
|  | l/min | gpm | bar | psi  | ebhp | rpm  | mm       | mm     |                     | \$         |          |
| <b>XMV 3400 rpm E version 5/8" with Nema 56-C Flange</b> |       |     |     |      |      |      |          |        |                     |            |          |
| XMV3G25E-F33 ● ○   | 11.4  | 3   | 172 | 2500 | 5.1  | 3400 | 15       | 15     | 6.5                 | 11         | \$731.82 |

### SPECIAL PARTS / KITS

| MOD     | DESCRIPTION                         | LIST PRICE |
|---------|-------------------------------------|------------|
| AR2776  | Viton Water Seals ø 15              | \$360.60   |
| AR2817  | Kit for up to 180° F ø 15 High Temp | \$411.87   |
| AR64516 | Oil (16 oz)                         | \$15.80    |

### REPAIR KITS

| MOD    | DESCRIPTION       | QTY | LIST PRICE |
|--------|-------------------|-----|------------|
| AR1864 | Valves            | 6   | \$59.29    |
| AR2544 | Pistons ø 15      | 3   | \$179.97   |
| AR2741 | Water Seals ø 15  | 3   | \$108.65   |
| AR2787 | Oil Seals         | 6   | \$59.70    |
| AR2740 | Support Ring ø 15 | 3   | \$13.54    |

# XMV-F25

## HOLLOW SHAFT PUMP



### Commercial

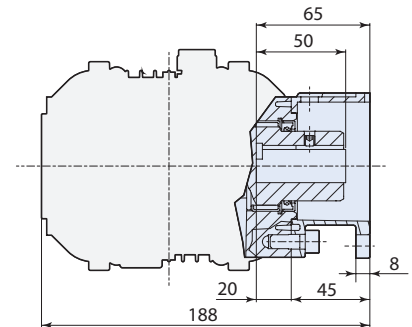
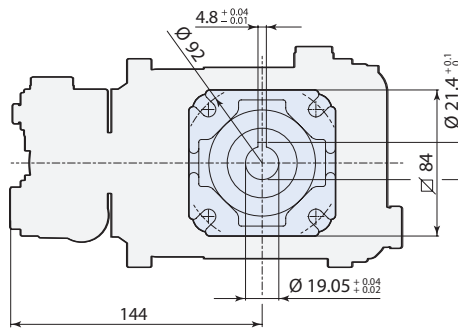
140° F - Max Water Temp  
 1/2" F - Inlet Thread  
 3/8" F - Discharge Thread  
 14.5 oz - Oil Capacity



● brass head



○ aluminum connecting-rods



## D version + F25

| MOD  | MAX   | gpm | MAX |      |      | NET  | BORE DIA | STROKE | CRANKSHAFT ID STAMP | LIST PRICE |          |
|--|-------|-----|-----|------|------|------|----------|--------|---------------------|------------|----------|
|  | l/min |     | bar | psi  | ebhp | rpm  | mm       | mm     |                     | \$         |          |
| <b>XMV 3400rpm D version 3/4" with Gas Engine Flange</b> |       |     |     |      |      |      |          |        |                     |            |          |
| XMV25G26D-F25 ● ○  | 9.5   | 2.5 | 179 | 2600 | 4.7  | 3400 | 15       | 15     | 6.2                 | 10         | \$720.01 |
| XMV3G27D-F25 ● ○   | 11.4  | 3   | 186 | 2700 | 5.6  | 3400 | 15       | 15     | 7.6                 | 9          | \$720.01 |
| XMV35G25D-F25 ● ○  | 13.2  | 3.5 | 170 | 2500 | 6.0  | 3400 | 15       | 15     | 8.2                 | 8          | \$720.01 |

### SPECIAL PARTS / KITS

| MOD     | DESCRIPTION                         | LIST PRICE |
|---------|-------------------------------------|------------|
| AR2776  | Viton Water Seals ø 15              | \$360.60   |
| AR2817  | Kit for up to 180° F ø 15 High Temp | \$411.87   |
| AR64516 | Oil (16 oz)                         | \$15.80    |

### REPAIR KITS

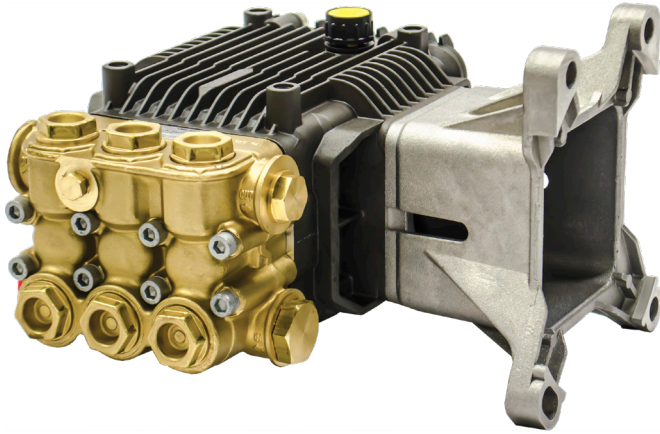
| MOD    | DESCRIPTION       | QTY | LIST PRICE |
|--------|-------------------|-----|------------|
| AR1864 | Valves            | 6   | \$59.29    |
| AR2544 | Pistons ø 15      | 3   | \$179.97   |
| AR2741 | Water Seals ø 15  | 3   | \$108.65   |
| AR2787 | Oil Seals         | 6   | \$59.70    |
| AR2740 | Support Ring ø 15 | 3   | \$13.54    |





# XMV-F24

## HOLLOW SHAFT PUMP



### Commercial

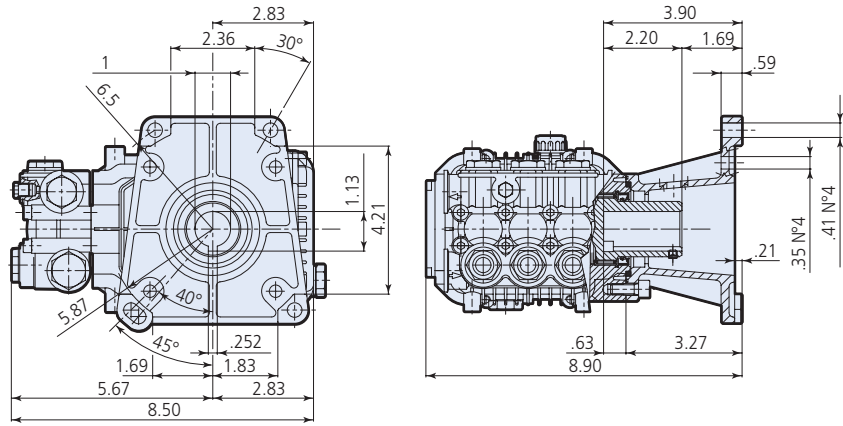
140° F - Max Water Temp  
 1/2" F - Inlet Thread  
 3/8" F - Discharge Thread  
 14.5 oz - Oil Capacity



● brass head



○ aluminum connecting rods



### D version + F24

| MOD   | MAX   | MAX |     | NET  | BORE DIA | STROKE | CRANKSHAFT ID STAMP | LIST PRICE |     |    |          |
|---|-------|-----|-----|------|----------|--------|---------------------|------------|-----|----|----------|
|   | l/min | gpm | bar | psi  | ebhp     | rpm    | lbs                 | mm         | mm  | \$ |          |
| <b>XMV 3400rpm D version 1" with Nema Gas Engine Flange</b> |       |     |     |      |          |        |                     |            |     |    |          |
| XMV3G30D-F24 ● ○  | 11.4  | 3   | 206 | 3000 | 6.2      | 3400   | 16                  | 15         | 7.6 | 9  | \$755.43 |

### SPECIAL PARTS / KITS

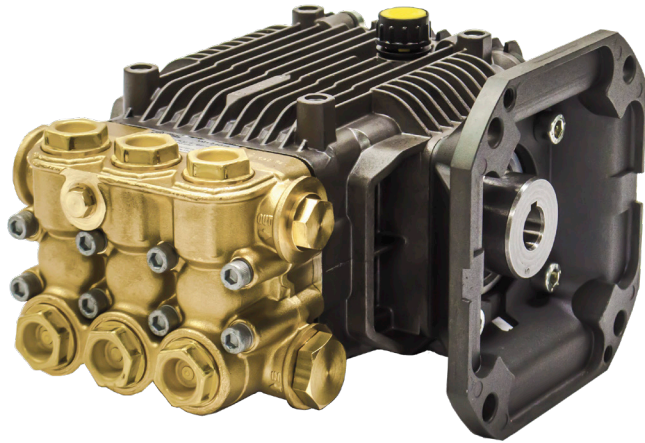
| MOD     | DESCRIPTION                         | LIST PRICE |
|---------|-------------------------------------|------------|
| AR2776  | Viton Water Seals ø 15              | \$360.60   |
| AR2817  | Kit for up to 180° F ø 15 High Temp | \$411.87   |
| AR64516 | Oil (16 oz)                         | \$15.80    |

### REPAIR KITS

| MOD    | DESCRIPTION       | QTY | LIST PRICE |
|--------|-------------------|-----|------------|
| AR1864 | Valves            | 6   | \$59.29    |
| AR2544 | Pistons ø 15      | 3   | \$179.97   |
| AR2741 | Water Seals ø 15  | 3   | \$108.65   |
| AR2787 | Oil Seals         | 6   | \$59.70    |
| AR2740 | Support Ring ø 15 | 3   | \$13.54    |

# XMV-F33

## HOLLOW SHAFT PUMP



### Commercial

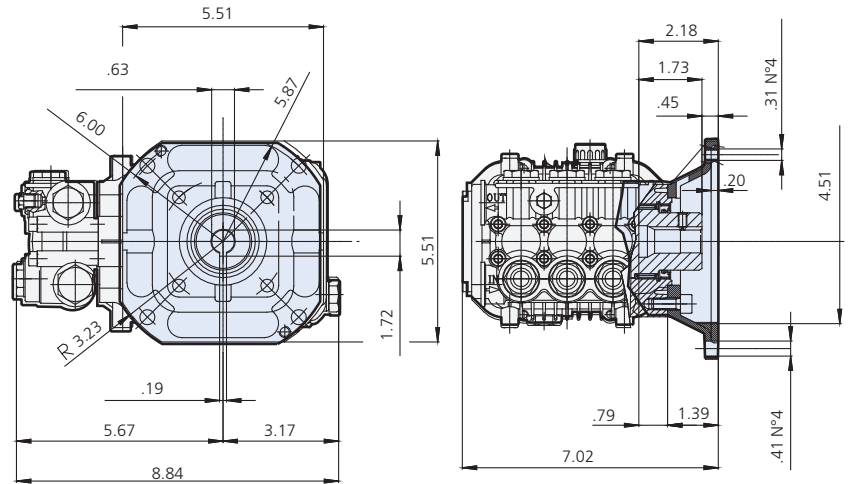
140° F - Max Water Temp  
 1/2" F - Inlet Thread  
 3/8" F - Discharge Thread  
 14.5 oz - Oil Capacity



● brass head



○ aluminum connecting rods



## D version + F33

| MOD | MAX<br>l/min | MAX<br>gpm | MAX<br>bar | MAX<br>psi | MAX<br>ebhp | MAX<br>rpm | NET<br>lbs | BORE DIA<br>mm | STROKE<br>mm | CRANKSHAFT ID STAMP | LIST PRICE<br>\$ |
|-----|--------------|------------|------------|------------|-------------|------------|------------|----------------|--------------|---------------------|------------------|
|-----|--------------|------------|------------|------------|-------------|------------|------------|----------------|--------------|---------------------|------------------|

**XMV 3400rpm D version 3/4" with Nema 56-C Flange**

XMV35G25D-F33 ● ○ 13.2 3.5 170 2500 6.0 3400 15 15 8.2 11 \$731.82

### SPECIAL PARTS / KITS

| MOD     | DESCRIPTION                         | LIST PRICE |
|---------|-------------------------------------|------------|
| AR2776  | Viton Water Seals ø 15              | \$360.60   |
| AR2817  | Kit for up to 180° F ø 15 High Temp | \$411.87   |
| AR64516 | Oil (16 oz)                         | \$15.80    |

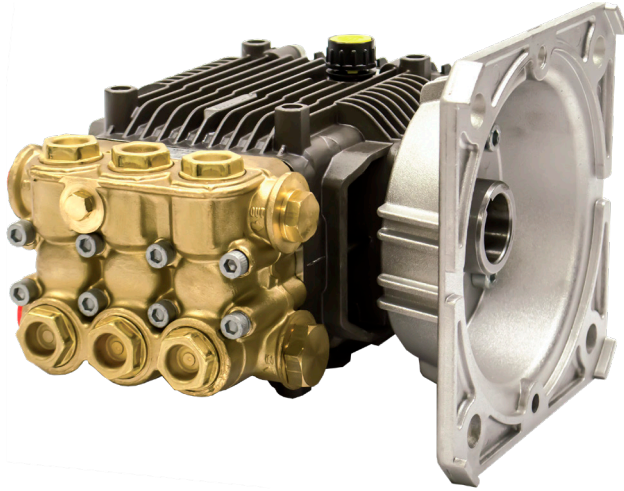
### REPAIR KITS

| MOD    | DESCRIPTION       | QTY | LIST PRICE |
|--------|-------------------|-----|------------|
| AR1864 | Valves            | 6   | \$59.29    |
| AR2544 | Pistons ø 15      | 3   | \$179.97   |
| AR2741 | Water Seals ø 15  | 3   | \$108.65   |
| AR2787 | Oil Seals         | 6   | \$59.70    |
| AR2740 | Support Ring ø 15 | 3   | \$13.54    |



# SXMV-F24

## HOLLOW SHAFT PUMP



### Commercial

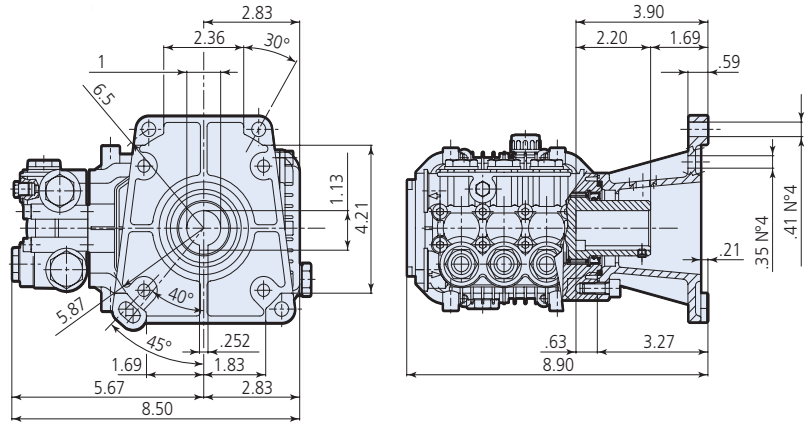
140° F - Max Water Temp  
 1/2" F - Inlet Thread  
 3/8" F - Discharge Thread  
 14.5 oz - Oil Capacity



● brass head



○ aluminum connecting rods



### D version + F24

| MOD   | MAX      | MAX | MAX | MAX  |      | NET  | BORE DIA | STROKE | CRANKSHAFT ID STAMP | LIST PRICE |          |
|---|----------|-----|-----|------|------|------|----------|--------|---------------------|------------|----------|
|   | l/min    | gpm | bar | psi  | ebhp | rpm  | lbs      | mm     | mm                  | \$         |          |
| <b>SXMV 3400rpm D version 1" with Gas Engine Flange</b> |          |     |     |      |      |      |          |        |                     |            |          |
| SXMV3G40D-F24   | ● ○ 11.4 | 3   | 275 | 4000 | 8.2  | 3400 | 16       | 15     | 7.6                 | 9          | \$814.44 |
| SXMV35G40D-F24  | ● ○ 13.2 | 3.5 | 275 | 4000 | 9.6  | 3400 | 16       | 15     | 8.2                 | 8          | \$814.44 |
| SXMV4G40D-F24   | ● ○ 15.1 | 4   | 275 | 4000 | 11.0 | 3400 | 16       | 15     | 9.4                 | 7          | \$814.44 |

### SPECIAL PARTS / KITS

| MOD     | DESCRIPTION                                  | LIST PRICE |
|---------|--|------------|
| AR2776  | Viton Water Seals ø 15                       | \$360.60   |
| AR2777  | Viton Water Seals ø 18                       | \$360.60   |
| AR2817  | Kit for up to 180° F ø 15 High Temp          | \$411.87   |
| AR2818  | Kit for up to 180° F ø 18 High Temp          | \$414.42   |
| AR42212 | Kit for up to 180° F ø 15 High Temp (Teflon) | \$636.50   |
| AR64516 | Oil (16 oz)                                  | \$15.80    |

### REPAIR KITS

| MOD    | DESCRIPTION       | QTY | LIST PRICE |
|--------|-------------------|-----|------------|
| AR1864 | Valves            | 6   | \$59.29    |
| AR2544 | Pistons ø 15      | 3   | \$179.97   |
| AR2545 | Pistons ø 18      | 3   | \$200.69   |
| AR2741 | Water Seals ø 15  | 3   | \$108.65   |
| AR2747 | Water Seals ø 18  | 3   | \$119.51   |
| AR2787 | Oil Seals         | 6   | \$59.70    |
| AR2740 | Support Ring ø 15 | 3   | \$13.54    |
| AR2745 | Support Ring ø 18 | 3   | \$6.75     |



## Commercial

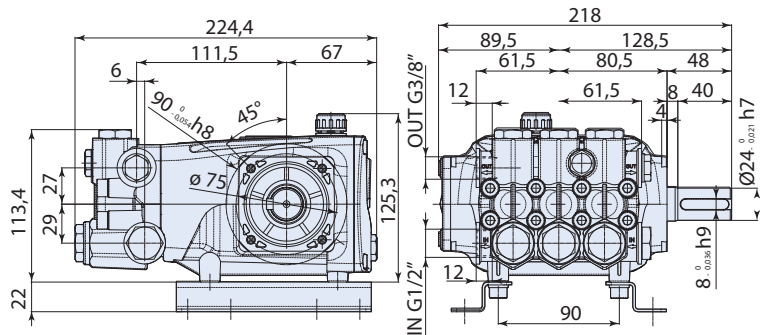
140° F - Max Water Temp  
 1/2" F - Inlet Thread  
 3/8" F - Discharge Thread  
 13.35 oz - Oil Capacity



● brass head



○ aluminum connecting-rods



## N version

| MOD  | MAX   | MAX | MAX | MAX | MAX  | NET  | BORE DIA | STROKE | CRANKSHAFT ID STAMP | LIST PRICE |   |          |
|--|-------|-----|-----|-----|------|------|----------|--------|---------------------|------------|---|----------|
|  | l/min | gpm | bar | psi | ebhp | rpm  | lbs      | mm     | mm                  | \$         |   |          |
| <b>RR 1450rpm N version 24mm Solid Shaft</b> |       |     |     |     |      |      |          |        |                     |            |   |          |
| RR15.20N                                     | ● ○   | 15  | 4.0 | 200 | 3000 | 7.9  | 1450     | 17     | 18                  | 13.8       | 2 | \$766.05 |
| RR15.25HN                                    | ● ○   | 15  | 4.0 | 250 | 3600 | 10.0 | 1450     | 17     | 18                  | 13.8       | 2 | \$830.97 |
| RR18.16N                                     | ● ○   | 18  | 4.8 | 160 | 2500 | 7.6  | 1450     | 17     | 18                  | 16.6       | 1 | \$766.05 |

### SPECIAL PARTS / KITS

| MOD     | DESCRIPTION                         | LIST PRICE |
|---------|-------------------------------------|------------|
| AR2633  | Rail Kit 1-3/4" (2 rails & 4 bolts) | \$35.18    |
| AR2633H | Rail Kit 2-5/8" (2 rails & 4 bolts) | \$46.40    |
| AR64516 | Oil (16 oz)                         | \$15.80    |

### REPAIR KITS

| MOD     | DESCRIPTION                                  | QTY | LIST PRICE |
|---------|--|-----|------------|
| AR42549 | Water Seals [PUMPS PRODUCED BEFORE MAY 2022] | 3   | \$84.92    |
| AR47110 | Water Seals [PUMPS PRODUCED AFTER MAY 2022]  | 3   | \$84.92    |

### REPAIR KITS (CONTINUED)

| MOD     | DESCRIPTION                                   | QTY | LIST PRICE |
|---------|---|-----|------------|
| AR2864  | Valves  | 6   | \$72.86    |
| AR2746  | Pistons                                       | 3   | \$200.69   |
| AR42548 | Piston Guide [PUMPS PRODUCED BEFORE MAY 2022] | 3   | \$48.45    |
| AR47109 | Piston Guide [PUMPS PRODUCED AFTER MAY 2022]  | 3   | \$48.45    |
| AR42547 | Oil Seals                                     | 4   | \$33.31    |
| AR42550 | O-Rings                                       | 17  | \$16.42    |
| AR2745  | Support Rings                                 | 3   | \$6.75     |
| AR43192 | Hot Water Seals                               | 3   | \$557.17   |





### Commercial

140° F - Max Water Temp  
 1/2" F - Inlet Thread  
 3/8" F - Discharge Thread  
 13.35 oz - Oil Capacity



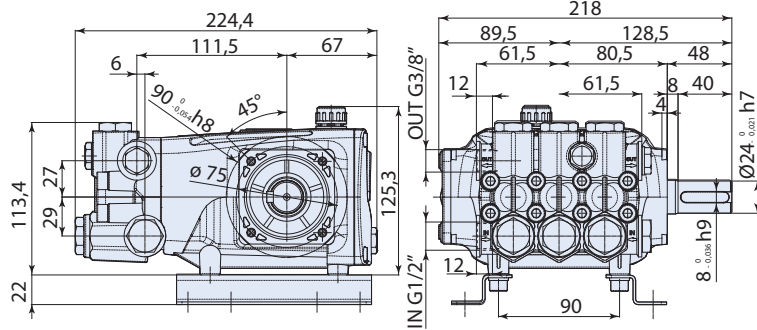
● brass head



○ bronze connecting-rods



○ aluminum connecting-rods



### N version

| MOD   | MAX   | MAX  |     | NET | BORE DIA | STROKE | CRANKSHAFT ID STAMP | LIST PRICE |    |      |    |          |
|---|-------|------|-----|-----|----------|--------|---------------------|------------|----|------|----|----------|
|   | l/min | gpm  | bar | psi | ebhp     | rpm    | lbs                 | mm         | mm |      | \$ |          |
| <b>RRA 1750rpm N version 24mm Solid Shaft</b> |       |      |     |     |          |        |                     |            |    |      |    |          |
| RRA35G30N                                     | ● ○   | 13.2 | 3.5 | 206 | 3000     | 7.2    | 1750                | 17         | 18 | 10.6 | 4  | \$766.05 |
| RRA4G30N                                      | ● ○   | 15.1 | 4   | 206 | 3000     | 8.2    | 1750                | 17         | 18 | 12.2 | 3  | \$766.05 |
| RRA4G40N                                      | ● ○   | 15.1 | 4   | 275 | 4000     | 10.9   | 1750                | 17         | 18 | 12.2 | 3  | \$830.97 |
| RRA55G30N                                     | ● ○   | 20.8 | 5.5 | 206 | 3000     | 11.3   | 1750                | 17         | 18 | 16.6 | 1  | \$766.05 |

### SPECIAL PARTS / KITS

| MOD     | DESCRIPTION                         | LIST PRICE |
|---------|-------------------------------------|------------|
| AR2633  | Rail Kit 1-3/4" (2 rails & 4 bolts) | \$35.18    |
| AR2633H | Rail Kit 2-5/8" (2 rails & 4 bolts) | \$46.40    |
| AR64516 | Oil (16 oz)                         | \$15.80    |

### REPAIR KITS

| MOD     | DESCRIPTION                                  | QTY | LIST PRICE |
|---------|--|-----|------------|
| AR42549 | Water Seals [PUMPS PRODUCED BEFORE MAY 2022] | 3   | \$84.92    |
| AR47110 | Water Seals [PUMPS PRODUCED AFTER MAY 2022]  | 3   | \$84.92    |

### REPAIR KITS (CONTINUED)

| MOD     | DESCRIPTION                                   | QTY | LIST PRICE |
|---------|---|-----|------------|
| AR2864  | Valves  | 6   | \$72.86    |
| AR2746  | Pistons                                       | 3   | \$200.69   |
| AR42548 | Piston Guide [PUMPS PRODUCED BEFORE MAY 2022] | 3   | \$48.45    |
| AR47109 | Piston Guide [PUMPS PRODUCED AFTER MAY 2022]  | 3   | \$48.45    |
| AR42547 | Oil Seals                                     | 4   | \$33.31    |
| AR42550 | O-Rings                                       | 17  | \$16.42    |
| AR2745  | Support Rings                                 | 3   | \$6.75     |
| AR43192 | Hot Water Seals                               | 3   | \$557.17   |

# RRA-F17

## HOLLOW SHAFT PUMP



### Commercial

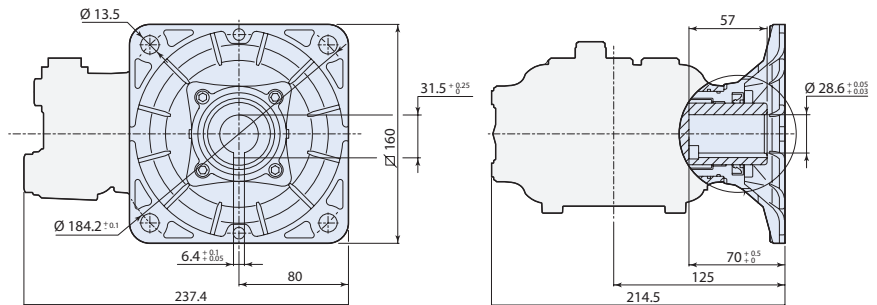
140° F - Max Water Temp  
 1/2" F - Inlet Thread  
 3/8" F - Discharge Thread  
 13.35 oz - Oil Capacity



● brass head



○ aluminum connecting rods



### E version

| MOD  | MAX   | MAX  |     | NET | BORE DIA | STROKE | CRANKSHAFT ID STAMP | LIST PRICE |    |      |   |          |
|--|-------|------|-----|-----|----------|--------|---------------------|------------|----|------|---|----------|
|  | l/min | gpm  | bar | psi | ebhp     | rpm    | lbs                 | mm         |    |      |   |          |
| <b>RRA 1750rpm E version 1-1/8" with Nema 182-184 Flange</b> |       |      |     |     |          |        |                     |            |    |      |   |          |
| RRA3G30E-F17   | ● ○   | 11.4 | 3   | 206 | 3000     | 6.2    | 1750                | 18         | 18 | 9.2  | 5 | \$830.97 |
| RRA35G30E-F17  | ● ○   | 13.2 | 3.5 | 206 | 3000     | 6.2    | 1750                | 18         | 18 | 10.6 | 4 | \$830.97 |
| RRA4G30E-F17   | ● ○   | 15.1 | 4   | 206 | 3000     | 8.2    | 1750                | 18         | 18 | 12.2 | 3 | \$830.97 |
| RRA55G26E-F17  | ● ○   | 20.8 | 5.5 | 206 | 2600     | 11.3   | 1750                | 18         | 18 | 16.6 | 1 | \$830.97 |

### SPECIAL PARTS / KITS

| MOD     | DESCRIPTION | LIST PRICE |
|---------|-------------|------------|
| AR64516 | Oil (16 oz) | \$15.80    |

### REPAIR KITS

| MOD     | DESCRIPTION                                     | QTY | LIST PRICE |
|---------|---|-----|------------|
| AR42549 | Water Seals<br>[PUMPS PRODUCED BEFORE MAY 2022] | 3   | \$84.92    |
| AR47110 | Water Seals<br>[PUMPS PRODUCED AFTER MAY 2022]  | 3   | \$84.92    |

### REPAIR KITS (CONTINUED)

| MOD     | DESCRIPTION                                       | QTY | LIST PRICE |
|---------|---|-----|------------|
| AR2864  | Valves  | 6   | \$72.86    |
| AR2746  | Pistons   | 3   | \$200.69   |
| AR43192 | Hot Water Seals                                   | 3   | \$557.17   |
| AR42555 | Oil Seals   | 4   | \$27.38    |
| AR42550 | O-Rings   | 17  | \$16.42    |
| AR2745  | Support Rings                                     | 3   | \$6.75     |
| AR42548 | Piston Guides<br>[PUMPS PRODUCED BEFORE MAY 2022] | 3   | \$48.45    |
| AR47109 | Piston Guides<br>[PUMPS PRODUCED AFTER MAY 2022]  | 3   | \$48.45    |



# RRV-F24

## HOLLOW SHAFT PUMP



### Commercial

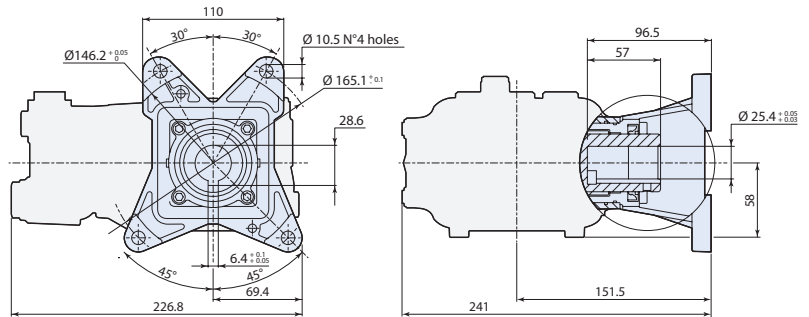
140° F - Max Water Temp  
 1/2" F - Inlet Thread  
 3/8" F - Discharge Thread  
 13.35 oz - Oil Capacity



● brass head



○ aluminum connecting rods



## D version + F24

| MOD   | MAX          | MAX      |           | NET | BORE DIA | STROKE | CRANKSHAFT ID STAMP | LIST PRICE |
|---|--------------|----------|-----------|-----|----------|--------|---------------------|------------|
|   | l/min gpm    | bar psi  | ebhp rpm  | lbs | mm       | mm     |                     | \$         |
| <b>RRV 3400rpm D version 1" with Gas Flange</b> |              |          |           |     |          |        |                     |            |
| RRV3G36D-F24                                    | ● ○ 11.4 3   | 248 3600 | 7.4 3400  | 18  | 15       | 7.4    | 7                   | \$667.10   |
| RRV35G36D-F24                                   | ● ○ 13.2 3.5 | 248 3600 | 8.6 3400  | 18  | 15       | 8.2    | 6                   | \$667.10   |
| RRV4G40HD-F24                                   | ● ○ 15.1 4   | 275 4000 | 11.0 3400 | 18  | 15       | 9.2    | 5                   | \$727.11   |
| RRV35G40HD-F24                                  | ● ○ 13.2 3.5 | 275 4000 | 9.6 3400  | 18  | 15       | 8.2    | 6                   | \$727.11   |

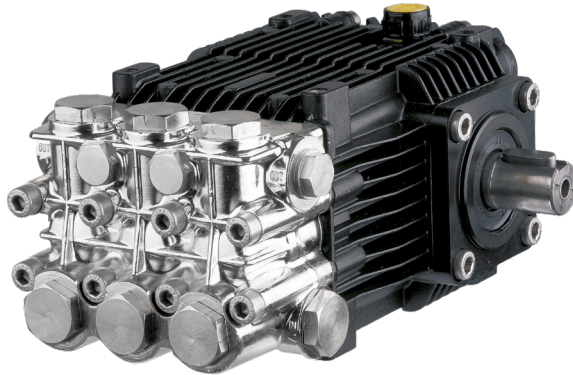
All pumps available in pre-plumbed packages

### SPECIAL PARTS / KITS

| MOD     | DESCRIPTION | LIST PRICE |
|---------|-------------|------------|
| AR64516 | Oil (16 oz) | \$15.80    |

### REPAIR KITS

| MOD     | DESCRIPTION   | QTY | LIST PRICE |
|---------|---------------|-----|------------|
| AR1828  | Valves        | 6   | \$69.79    |
| AR2544  | Pistons       | 3   | \$179.97   |
| AR42556 | Water Seals   | 3   | \$84.92    |
| AR42555 | Oil Seals     | 4   | \$27.38    |
| AR42550 | O-Rings       | 17  | \$16.42    |
| AR2191  | Support Rings | 3   | \$7.21     |



## Commercial

140° F - Max Water Temp  
 1/2" F - Inlet Thread  
 3/8" F - Discharge Thread  
 15 oz - Oil Capacity



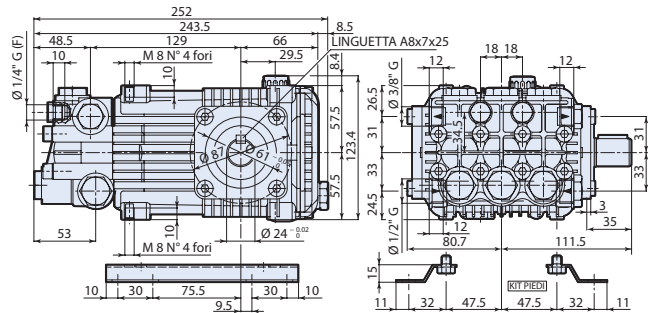
● brass head



● nickel plated brass head



● bronze connecting rods



## N version

| MOD  | MAX   | MAX |      | NET | BORE DIA | STROKE | CRANKSHAFT ID STAMP | LIST PRICE |    |      |    |            |
|--|-------|-----|------|-----|----------|--------|---------------------|------------|----|------|----|------------|
|  | l/min | gpm | bar  | psi | ebhp     | rpm    | lbs                 | mm         | mm |      | \$ |            |
| <b>RK 1450rpm N version 24mm Solid Shaft</b> |       |     |      |     |          |        |                     |            |    |      |    |            |
| RK1528HN                                     | ● ○   | 15  | 3.96 | 275 | 4000     | 11.0   | 1450                | 20         | 18 | 14.6 | 1  | \$967.89   |
| RK1528HN-SX                                  | ○ ○   | 15  | 3.96 | 275 | 4000     | 11.0   | 1450                | 20         | 18 | 14.6 | 1  | \$967.89   |
| RK1828HN                                     | ● ○   | 18  | 4.75 | 275 | 4000     | 13.0   | 1450                | 20         | 20 | 14.6 | 1  | \$1,015.10 |
| RK1828HNL                                    | ○ ○   | 18  | 4.75 | 275 | 4000     | 13.0   | 1450                | 20         | 20 | 14.6 | 1  | \$1,026.90 |
| RK2120NL                                     | ● ○   | 21  | 5.55 | 206 | 3000     | 11.4   | 1450                | 20         | 22 | 13.8 | 2  | \$1,015.10 |
| RK2415HN                                     | ○ ○   | 24  | 6.34 | 150 | 2200     | 9.6    | 1450                | 20         | 22 | 14.6 | 1  | \$1,015.10 |

L = 45mm Shaft Length (standard length - 30mm)

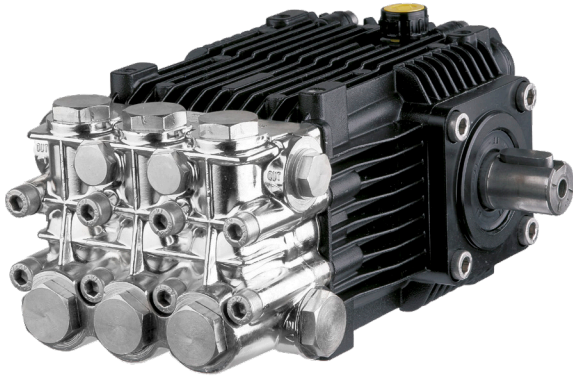
## SPECIAL PARTS / KITS

| MOD           | DESCRIPTION                                | LIST PRICE |
|---------------|--|------------|
| AR2729        | Rail Kit 5/8" (2 rails & 4 bolts)          | \$32.02    |
| AR2633        | Rail Kit 1-3/4" (2 rails & 4 bolts)        | \$35.18    |
| AR2633H       | Rail Kit 2-5/8" (2 rails & 4 bolts)        | \$46.40    |
| U-Bracket/Kit | Rail Kit 1-1/2" (2 rails & 4 bolts)        | \$76.14    |
| AR2809        | Viton Water Seals ø 18                     | \$292.85   |
| AR2810        | Viton Water Seals ø 20                     | \$292.85   |
| AR2811        | Viton Water Seals ø 22                     | \$548.00   |
| AR42213       | Kit for up to 180° F ø 18 High Temp Teflon | \$636.29   |
| AR2820        | Kit for up to 180° F ø 20 High Temp        | \$535.59   |
| AR64516       | Oil (16 oz)                                | \$15.80    |
| AR42214       | Teflon Hot Water Seals ø 20                | \$778.72   |
| AR42564       | Teflon Hot Water Seals ø 22                | \$998.15   |

## REPAIR KITS

| MOD    | DESCRIPTION      | QTY | LIST PRICE |
|--------|------------------|-----|------------|
| AR2864 | Valves           | 6   | \$72.86    |
| AR2746 | Pistons          | 3   | \$200.69   |
| AR2547 | Pistons          | 3   | \$240.71   |
| AR2759 | Pistons          | 3   | \$373.64   |
| AR1857 | Water Seals ø 18 | 3   | \$136.00   |
| AR1887 | Water Seals ø 20 | 3   | \$173.60   |
| AR1888 | Water Seals ø 22 | 3   | \$173.60   |
| AR1855 | Oil Seals        | 7   | \$77.34    |
| AR1829 | Support Rings    | 3   | \$18.41    |
| AR1815 | Support Rings    | 3   | \$10.73    |
| AR1816 | Support Rings    | 3   | \$12.00    |





### Commercial

140° F - Max Water Temp  
 1/2" F - Inlet Thread  
 3/8" F - Discharge Thread  
 15 oz - Oil Capacity



● brass head



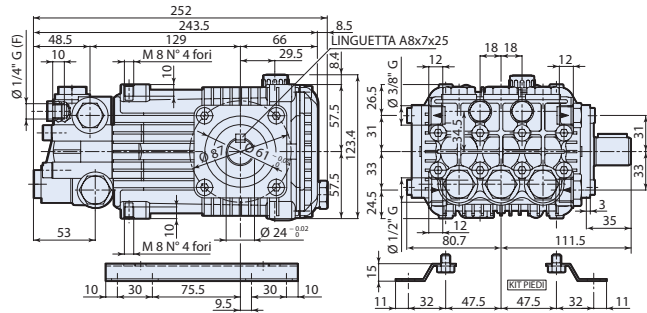
● nickel plated brass head



● bronze connecting rods



○ aluminum connecting rods



### N version

| MOD | MAX   | MAX |     | NET | BORE DIA | STROKE | CRANKSHAFT ID STAMP | LIST PRICE |
|-----|-------|-----|-----|-----|----------|--------|---------------------|------------|
|     | l/min | gpm | bar | psi | ebhp     | rpm    | lbs                 | mm         |

| RKA 1750rpm N version 24mm Solid Shaft |     |      |     |     |      |      |      |    |    |      |   |          |
|--|-----|------|-----|-----|------|------|------|----|----|------|---|----------|
| RKA35G40HN                             | ● ○ | 13.2 | 3.5 | 275 | 4000 | 9.6  | 1750 | 20 | 18 | 10.8 | 5 | \$967.89 |
| RKA4G30AN                              | ● ○ | 15.1 | 4   | 206 | 3000 | 8.2  | 1750 | 19 | 18 | 12   | 4 | 989.05   |
| RKA4G30N                               | ● ○ | 15.1 | 4   | 206 | 3000 | 8.2  | 1750 | 19 | 18 | 12   | 4 | 932.48   |
| RKA4G40HN                              | ○ ○ | 15.1 | 4   | 275 | 4000 | 11.0 | 1750 | 20 | 18 | 12   | 4 | \$967.89 |
| RKA4G40HN-SX                           | ● ○ | 15.1 | 4   | 275 | 4000 | 11.0 | 1750 | 20 | 18 | 12   | 4 | \$967.89 |
| RKA4G40HNL                             | ○ ○ | 15.1 | 4   | 275 | 4000 | 11.0 | 1750 | 20 | 18 | 12   | 4 | \$979.69 |
| RKA45G40HN                             | ● ○ | 17   | 4.5 | 275 | 4000 | 12.5 | 1750 | 20 | 18 | 13.8 | 2 | \$967.89 |

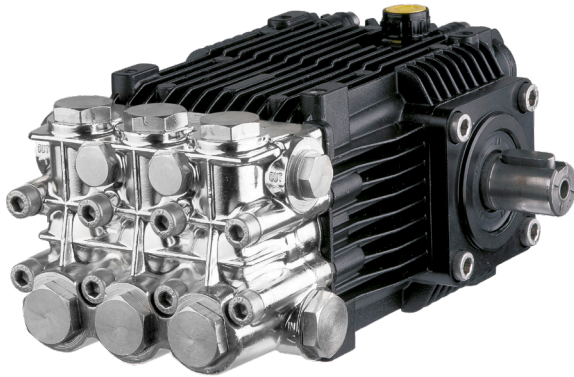
L = 45mm Shaft Length (standard length - 30mm)  
 SX - 180° Rotated Shaft Configuration

### SPECIAL PARTS / KITS

| MOD           | DESCRIPTION                                | LIST PRICE |
|---------------|--|------------|
| AR2729        | Rail Kit 5/8" (2 rails & 4 bolts)          | \$32.02    |
| AR2633        | Rail Kit 1-3/4" (2 rails & 4 bolts)        | \$35.18    |
| AR2633H       | Rail Kit 2-5/8" (2 rails & 4 bolts)        | \$46.40    |
| U-Bracket/Kit | Rail Kit 1-1/2" (2 rails & 4 bolts)        | \$76.14    |
| AR2809        | Viton Water Seals Ø 18                     | \$292.85   |
| AR42213       | Kit for up to 180° F Ø 18 High Temp Teflon | \$636.29   |
| AR64516       | Oil (16 oz)                                | \$15.80    |

### REPAIR KITS

| MOD    | DESCRIPTION        | QTY | LIST PRICE |
|--------|--------------------|-----|------------|
| AR2864 | Valves             | 6   | \$72.86    |
| AR2546 | Pistons Ø 18       | 3   | \$227.40   |
| AR1857 | Water Seals Ø 18   | 3   | \$136.00   |
| AR1855 | Oil Seals          | 7   | \$77.34    |
| AR1829 | Support Rings Ø 18 | 3   | \$18.41    |



### Commercial

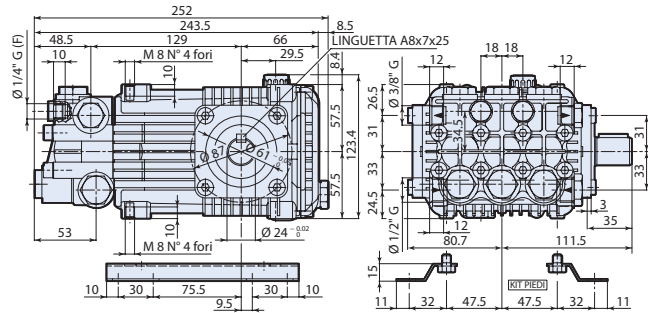
140° F - Max Water Temp  
 1/2" F - Inlet Thread  
 3/8" F - Discharge Thread  
 15 oz - Oil Capacity



● nickel plated brass head



○ bronze connecting rods



## N version

| MOD   | MAX   | MAX |     |      |      |      |     | BORE DIA | STROKE | CRANKSHAFT ID STAMP | LIST PRICE |
|---|-------|-----|-----|------|------|------|-----|----------|--------|---------------------|------------|
|   | l/min | gpm | bar | psi  | ebhp | rpm  | lbs | mm       | mm     |                     | \$         |
| <b>RKA 1750rpm N version 24mm Solid Shaft</b> |       |     |     |      |      |      |     |          |        |                     |            |
| RKA5G30HN                                     | 20.8  | 5.5 | 206 | 3500 | 11.3 | 1750 | 20  | 20       | 13.8   | 2                   | \$1,015.10 |
| RKA65G20HN                                    | 25    | 6.6 | 138 | 2000 | 9.0  | 1750 | 20  | 22       | 13.8   | 2                   | \$1,015.10 |
| RKA7G20HN                                     | 27    | 7.1 | 138 | 2000 | 10.0 | 1750 | 20  | 22       | 14.6   | 1                   | \$1,015.10 |

### SPECIAL PARTS / KITS

| MOD           | DESCRIPTION                         | LIST PRICE |
|---------------|-------------------------------------|------------|
| AR2729        | Rail Kit 5/8" (2 rails & 4 bolts)   | \$32.02    |
| AR2633        | Rail Kit 1-3/4" (2 rails & 4 bolts) | \$35.18    |
| AR2633H       | Rail Kit 2-5/8" (2 rails & 4 bolts) | \$46.40    |
| U-Bracket/Kit | Rail Kit 1-1/2" (2 rails & 4 bolts) | \$76.14    |
| AR2810        | Viton Water Seals ø 20              | \$292.85   |
| AR2811        | Viton Water Seals ø 22              | \$548.00   |
| AR2820        | Kit for up to 180° F ø 20 High Temp | \$535.59   |
| AR64516       | Oil (16 oz)                         | \$15.80    |
| AR42214       | Teflon Hot Water Seals ø 20         | \$778.72   |
| AR42564       | Teflon Hot Water Seals ø 22         | \$998.15   |

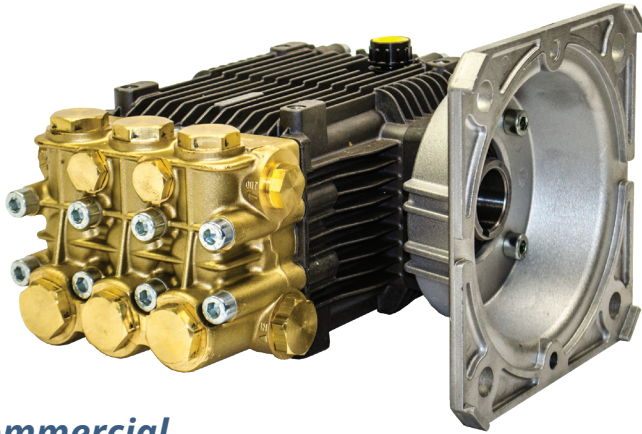
### REPAIR KITS

| MOD    | DESCRIPTION        | QTY | LIST PRICE |
|--------|--------------------|-----|------------|
| AR2864 | Valves             | 6   | \$72.86    |
| AR2547 | Pistons ø 20       | 3   | \$240.71   |
| AR2759 | Pistons ø 22       | 3   | \$373.64   |
| AR1887 | Water Seals ø 20   | 3   | \$173.60   |
| AR1888 | Water Seals ø 22   | 3   | \$173.60   |
| AR1855 | Oil Seals          | 7   | \$77.34    |
| AR1815 | Support Rings ø 20 | 3   | \$10.73    |
| AR1816 | Support Rings ø 22 | 3   | \$12.00    |



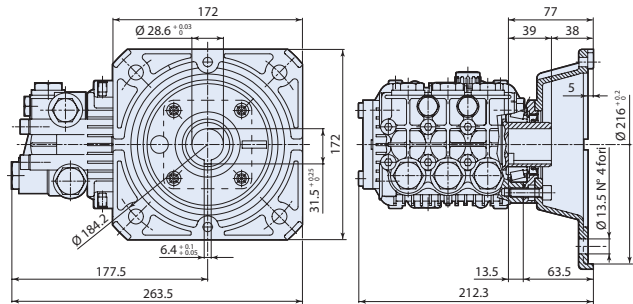
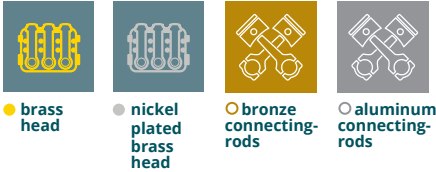
# RKA-F17

## HOLLOW SHAFT PUMP



### Commercial

140° F - Max Water Temp  
 1/2" F - Inlet Thread  
 3/8" F - Discharge Thread  
 15 oz - Oil Capacity



## E version + F17

| MOD  | MAX   | MAX  |     | NET | BORE DIA | STROKE | CRANKSHAFT ID STAMP | LIST PRICE |    |      |    |            |
|--|-------|------|-----|-----|----------|--------|---------------------|------------|----|------|----|------------|
|  | l/min | gpm  | bar | psi | ebhp     | rpm    | lbs                 | mm         | mm |      | \$ |            |
| <b>RKA 1750rpm E version 1-1/8" with Nema 182-184 Flange</b> |       |      |     |     |          |        |                     |            |    |      |    |            |
| RKA35G30E-F17  | ● ○   | 13.2 | 3.5 | 206 | 3000     | 6.8    | 1750                | 21         | 18 | 10.8 | 5  | \$932.48   |
| RKA35G40HE-F17   | ○ ○   | 13.2 | 3.5 | 275 | 4000     | 9.6    | 1750                | 21         | 18 | 10.8 | 5  | \$1,026.90 |
| RKA4G30E-F17   | ● ○   | 15.1 | 4   | 206 | 3000     | 8.2    | 1750                | 21         | 18 | 12   | 4  | \$932.48   |
| RKA4G30HE-F17  | ○ ○   | 15.1 | 4   | 206 | 3000     | 8.2    | 1750                | 21         | 18 | 12   | 4  | \$1,026.90 |
| RKA4.8G30E-F17   | ● ○   | 18.2 | 4.8 | 206 | 3000     | 10.0   | 1750                | 21         | 20 | 12   | 4  | \$991.49   |
| RKA55G13E-F17  | ● ○   | 20.8 | 5.5 | 138 | 2000     | 7.5    | 1750                | 21         | 20 | 13.8 | 2  | \$991.49   |
| RKA7G20HE-F17  | ● ○   | 27   | 7.1 | 138 | 2000     | 10.0   | 1750                | 21         | 22 | 14.6 | 1  | \$1,085.92 |

### SPECIAL PARTS / KITS

| MOD     | DESCRIPTION                                     | LIST PRICE |
|---------|---|------------|
| AR2809  | Viton Water Seals $\varnothing 18$              | \$292.85   |
| AR2810  | Viton Water Seals $\varnothing 20$              | \$292.85   |
| AR2811  | Viton Water Seals $\varnothing 22$              | \$548.00   |
| AR42213 | Kit for up to 180° F $\varnothing 18$ High Temp | \$636.29   |
| AR2820  | Kit for up to 180° F $\varnothing 20$ High Temp | \$535.59   |
| AR42149 | Single Cylinder Pistons Kit                     | \$55.64    |
| AR64516 | Oil (16 oz)                                     | \$15.80    |
| AR42214 | Teflon Hot Water Seals $\varnothing 20$         | \$778.72   |
| AR42564 | Teflon Hot Water Seals $\varnothing 22$         | \$998.15   |

### REPAIR KITS

| MOD    | DESCRIPTION                    | QTY | LIST PRICE |
|--------|--------------------------------|-----|------------|
| AR2864 | Valves                         | 6   | \$72.86    |
| AR2546 | Pistons $\varnothing 18$       | 3   | \$227.40   |
| AR2547 | Pistons $\varnothing 20$       | 3   | \$240.71   |
| AR2759 | Pistons $\varnothing 22$       | 3   | \$373.64   |
| AR1857 | Water Seals $\varnothing 18$   | 3   | \$136.00   |
| AR1887 | Water Seals $\varnothing 20$   | 3   | \$173.60   |
| AR1888 | Water Seals $\varnothing 22$   | 3   | \$173.60   |
| AR1856 | Oil Seals                      | 7   | \$62.76    |
| AR1829 | Support Rings $\varnothing 18$ | 3   | \$18.41    |
| AR1815 | Support Rings $\varnothing 20$ | 3   | \$10.73    |
| AR1816 | Support Rings $\varnothing 22$ | 3   | \$12.00    |

# RKV-F24

## HOLLOW SHAFT PUMP



### Commercial

140° F - Max Water Temp  
 1/2" F - Inlet Thread  
 3/8" F - Discharge Thread  
 15 oz - Oil Capacity



● brass head



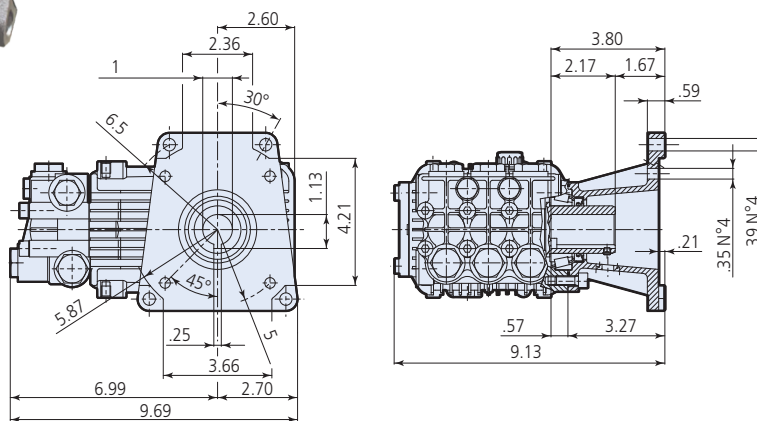
● nickel plated brass head



○ bronze connecting-rods



○ aluminum connecting-rods



## D version + F24

| MOD   | MAX   | MAX  |     |     |      |      | lb NET | BORE DIA | STROKE | CRANKSHAFT ID STAMP | LIST PRICE |            |
|---|-------|------|-----|-----|------|------|--------|----------|--------|---------------------|------------|------------|
|   | l/min | gpm  | bar | psi | ebhp | rpm  | lbs    | mm       | mm     |                     | \$         |            |
| <b>RKV 3400 rpm D version 1" with Gas Engine Flange</b> |       |      |     |     |      |      |        |          |        |                     |            |            |
| RKV35G30AD-F24  | ● ○   | 13.2 | 3.5 | 206 | 3000 | 7.5  | 3400   | 21       | 18     | 6.2                 | 9          | \$939.56   |
| RKV35G40HD-F24  | ○ ●   | 13.2 | 3.5 | 275 | 4000 | 10.0 | 3400   | 21       | 18     | 6.2                 | 9          | \$939.56   |
| RKV4G37D-F24  | ● ○   | 15.1 | 4   | 255 | 3700 | 7.5  | 3400   | 21       | 18     | 7                   | 8          | \$944.28   |
| RKV4G40HD-F24   | ○ ●   | 15.1 | 4   | 275 | 4000 | 11.0 | 3400   | 21       | 18     | 7                   | 8          | \$1,038.70 |
| RKV45G32D-F24   | ● ○   | 17   | 4.5 | 220 | 3200 | 10.0 | 3400   | 21       | 18     | 8                   | 7          | \$944.28   |
| RKV45G40HD-F24  | ○ ●   | 17   | 4.5 | 275 | 4000 | 12.4 | 3400   | 21       | 18     | 8                   | 7          | \$1,038.70 |
| RKV5G40HD-F 24  | ● ○   | 18.3 | 5   | 275 | 4000 | 13.7 | 3400   | 21       | 18     | 8.6                 | 11         | \$1,038.70 |
| RKV55G40HD-F24  | ○ ●   | 20.8 | 5.5 | 275 | 4000 | 15.0 | 3400   | 21       | 18     | 9.8                 | 6          | \$1,038.70 |

### SPECIAL PARTS / KITS

| MOD     | DESCRIPTION                         | LIST PRICE |
|---------|-------------------------------------|------------|
| AR2809  | Viton Water Seals ø 18              | \$292.85   |
| AR42213 | Kit for up to 180° F ø 18 High Temp | \$636.29   |
| AR42149 | Single Cylinder Pistons Kit         | \$55.64    |
| AR64516 | Oil (16 oz)                         | \$15.80    |
| AR42213 | Teflon Hot Water Seals ø 18         | \$636.29   |

### REPAIR KITS

| MOD    | DESCRIPTION        | QTY | LIST PRICE |
|--------|--------------------|-----|------------|
| AR1828 | Valves             | 6   | \$69.79    |
| AR2546 | Pistons ø 18       | 3   | \$227.40   |
| AR1857 | Water Seals ø 18   | 3   | \$136.00   |
| AR1856 | Oil Seals          | 7   | \$62.76    |
| AR1829 | Support Rings ø 18 | 3   | \$18.41    |





RG

SOLID SHAFT PUMP



Commercial

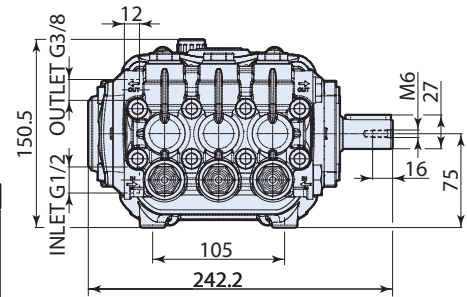
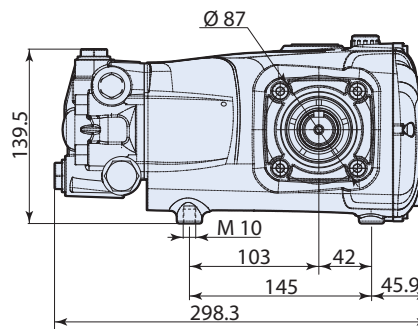
140° F - Max Water Temp  
 1/2" F - Inlet Thread  
 3/8" F - Discharge Thread  
 32 oz - Oil Capacity



● nickel plated brass head



○ aluminum connecting rods



N version

| MOD | MAX   | MAX |     | NET | BORE DIA | STROKE | CRANKSHAFT ID STAMP | LIST PRICE |    |  |    |
|-----|-------|-----|-----|-----|----------|--------|---------------------|------------|----|--|----|
|     | l/min | gpm | bar | psi | ebhp     | rpm    | lbs                 | mm         | mm |  | \$ |

**RG 1450rpm N version 24 x 40mm Solid Shaft**

|             |     |    |     |     |      |      |      |      |    |      |   |            |
|-------------|-----|----|-----|-----|------|------|------|------|----|------|---|------------|
| RG1528HN    | ● ○ | 15 | 4   | 280 | 4000 | 11.0 | 1450 | 27.5 | 18 | 14.6 | 3 | \$1,063.35 |
| RG2125HN    | ○ ○ | 21 | 5.5 | 250 | 3600 | 13.6 | 1450 | 27.5 | 18 | 19.8 | 1 | \$1,063.35 |
| RG2125HN-SX | ● ○ | 21 | 5.5 | 250 | 3600 | 13.6 | 1450 | 27.5 | 18 | 19.8 | 1 | \$1,063.35 |

SX - 180° Rotated Shaft Configuration

SPECIAL PARTS / KITS

| MOD     | DESCRIPTION                         | LIST PRICE |
|---------|-------------------------------------|------------|
| AR2748  | Rail Kit 1-1/4" (2 rails & 4 bolts) | \$26.67    |
| AR2748H | Rail Kit 2-1/2" (2 rails & 4 bolts) | \$74.62    |
| AR64516 | Oil (16 oz)                         | \$15.80    |

REPAIR KITS

| MOD     | DESCRIPTION        | QTY | LIST PRICE |
|---------|--------------------|-----|------------|
| AR2864  | Valves             | 6   | \$72.86    |
| AR2872  | Pistons Ø 18       | 3   | \$261.53   |
| AR42171 | Water Seals Ø 18   | 3   | \$38.28    |
| AR2873  | Oil Seals          | 4   | \$36.03    |
| AR42172 | Piston Guides Ø 18 | 3   | 229.20     |
| AR42928 | Hot Water Seals    | 3   | \$965.63   |

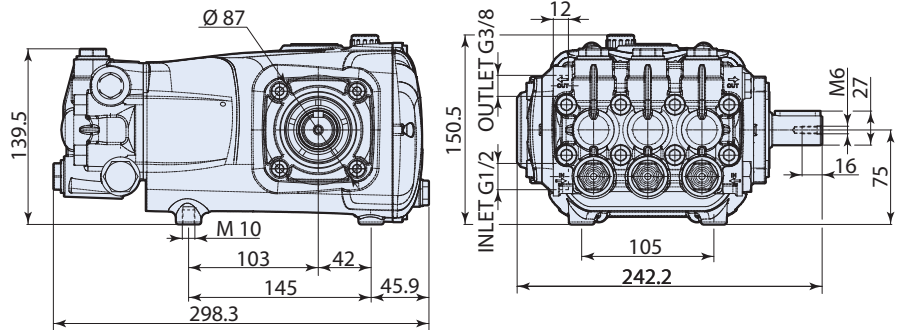


### Commercial

140° F - Max Water Temp  
 1/2" F - Inlet Thread  
 3/8" F - Discharge Thread  
 32 oz - Oil Capacity



- nickel plated brass head
- aluminum connecting rods



### N version

| MOD   | MAX   | MAX |     | NET | BORE DIA | STROKE | CRANKSHAFT ID STAMP | LIST PRICE |    |      |    |          |
|---|-------|-----|-----|-----|----------|--------|---------------------|------------|----|------|----|----------|
|   | l/min | gpm | bar | psi | ebhp     | rpm    | lbs                 | mm         | mm |      | \$ |          |
| <b>RGA 1750rpm N version 24mm Solid Shaft</b> |       |     |     |     |          |        |                     |            |    |      |    |          |
| RGA4G40HN                                     | ● ○   | 15  | 4   | 280 | 4000     | 11     | 1750                | 27.5       | 18 | 12.2 | 4  | \$998.36 |

### SPECIAL PARTS / KITS

| MOD     | DESCRIPTION                         | LIST PRICE |
|---------|-------------------------------------|------------|
| AR2748  | Rail Kit 1-1/4" (2 rails & 4 bolts) | \$26.67    |
| AR2748H | Rail Kit 2-1/2" (2 rails & 4 bolts) | \$74.62    |
| AR64516 | Oil (16 oz)                         | \$15.80    |

### REPAIR KITS

| MOD     | DESCRIPTION     | QTY | LIST PRICE |
|---------|-----------------|-----|------------|
| AR2864  | Valves          | 6   | \$72.86    |
| AR2872  | Pistons Ø 18    | 3   | \$261.53   |
| AR46848 | Water Seals     | 3   | \$38.28    |
| AR47083 | Oil Seals       | 4   | \$36.03    |
| AR42172 | Piston Guides   | 3   | \$229.20   |
| AR42928 | Hot Water Seals | 3   | \$965.63   |



# SRG

## SOLID SHAFT PUMP



### Commercial

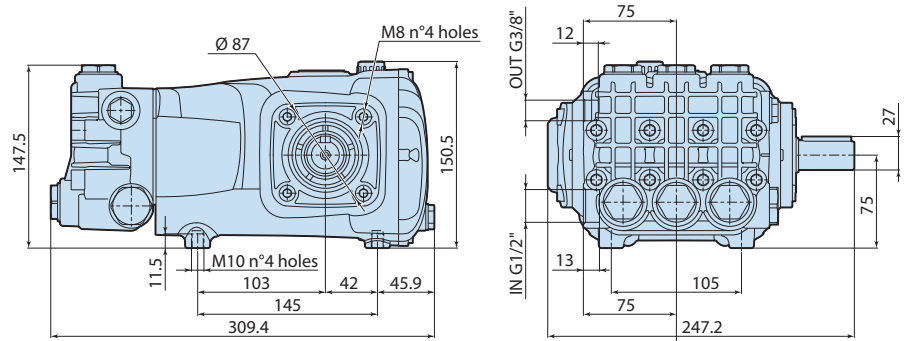
140° F - Max Water Temp  
 1/2" F - Inlet Thread  
 3/8" F - Discharge Thread  
 32 oz - Oil Capacity



● brass head



○ aluminum connecting-rods



### N version

| MOD | MAX   | MAX | MAX |     | NET  | BORE DIA | STROKE | CRANKSHAFT ID STAMP | LIST PRICE |    |
|-----|-------|-----|-----|-----|------|----------|--------|---------------------|------------|----|
|     | l/min | gpm | bar | psi | ebhp | rpm      | lbs    | mm                  | mm         | \$ |

| SRG 1450rpm N version 24mm Solid Shaft |     |    |     |     |      |      |      |      |    |      |    |            |
|--|-----|----|-----|-----|------|------|------|------|----|------|----|------------|
| SRG1535N                               | ● ○ | 15 | 4.0 | 350 | 5100 | 14.0 | 1450 | 35.2 | 18 | 15.0 | 8  | \$1,596.50 |
| SRG2135N                               | ● ○ | 21 | 5.5 | 350 | 5100 | 19.2 | 1450 | 35.2 | 18 | 21.0 | 7  | \$1,391.52 |
| SRG3035N                               | ● ○ | 30 | 7.9 | 350 | 5100 | 27.6 | 1450 | 35.2 | 20 | 23.0 | 15 | \$1,982.99 |

SX - 180° Rotated Shaft Configuration

### SPECIAL PARTS / KITS

| MOD     | DESCRIPTION                         | LIST PRICE |
|---------|-------------------------------------|------------|
| AR2748  | Rail Kit 1-1/4" (2 rails & 4 bolts) | \$25.90    |
| AR2748H | Rail Kit 2-1/2" (2 rails & 4 bolts) | \$72.45    |
| AR64516 | Oil (16 oz)                         | \$15.34    |

### REPAIR KITS

| MOD     | DESCRIPTION        | QTY | LIST PRICE |
|---------|--------------------|-----|------------|
| AR2871  | Valves             | 6   | \$194.31   |
| AR46939 | Pistons Ø 20       | 3   | \$97.73    |
| AR46941 | Water Seals Ø 20   | 3   | \$236.45   |
| AR46940 | Oil Seals          | 4   | \$25.56    |
| AR46942 | Piston Guides Ø 20 | 3   | \$96.72    |
| AR2548  | Pistons Ø 18       | 3   | \$261.53   |
| AR47083 | Oil Seals Ø 18     | 7   | \$36.03    |
| AR2874  | Water Seals Ø 18   | 9   | \$200.96   |
| AR42120 | Piston Guides Ø 18 | 6   | \$160.68   |



## Commercial

140° F - Max Water Temp  
 3/4" F - Inlet Thread  
 3/8" F - Discharge Thread  
 32 oz - Oil Capacity



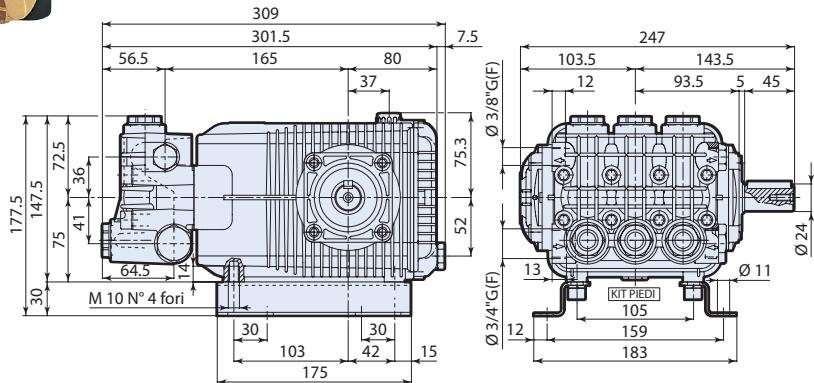
● brass head



○ bronze connecting rods



○ aluminum connecting rods



## N version

| MOD | MAX   | MAX |     |     | BORE DIA | STROKE | CRANKSHAFT ID STAMP | LIST PRICE |    |  |    |
|-----|-------|-----|-----|-----|----------|--------|---------------------|------------|----|--|----|
|     | l/min | gpm | bar | psi | ebhp     | rpm    | lbs                 | mm         | mm |  | \$ |

### XW 1450rpm N version 24mm Solid Shaft

|          |     |    |      |     |      |      |      |    |    |      |   |            |
|----------|-----|----|------|-----|------|------|------|----|----|------|---|------------|
| XWM1530N | ● ○ | 15 | 4    | 300 | 4350 | 12.0 | 1450 | 34 | 20 | 12.2 | 5 | \$1,428.22 |
| XWM2128N | ● ○ | 21 | 5.55 | 280 | 4060 | 15.5 | 1450 | 34 | 20 | 16.6 | 3 | \$1,428.22 |
| XWM2623N | ● ○ | 26 | 6.87 | 250 | 3600 | 17.0 | 1450 | 34 | 20 | 19.8 | 1 | \$1,546.26 |
| XW3025N  | ● ○ | 30 | 7.92 | 250 | 3600 | 20.0 | 1450 | 34 | 22 | 19.8 | 1 | \$1,628.88 |
| XW3028N  | ● ○ | 30 | 7.92 | 280 | 4000 | 21.8 | 1450 | 34 | 22 | 19.8 | 1 | \$1,987.23 |

## SPECIAL PARTS / KITS

| MOD           | DESCRIPTION   | LIST PRICE |
|---------------|---|------------|
| AR2748        | Rail Kit 1-1/4" (2 rails & 4 bolts)                                       | \$26.67    |
| AR2748H       | Rail Kit 2-1/2" (2 rails & 4 bolts)                                       | \$74.62    |
| U-Bracket/Kit | Rail Kit 1-1/2" (2 rails & 4 bolts)                                       | \$76.14    |
| AR2778        | Viton Water Seals $\varnothing$ 20<br>(used only w/ AR2784 Piston Guides) | \$250.94   |
| AR2779        | Viton Water Seals $\varnothing$ 22<br>(used only w/ AR2785 Piston Guides) | \$241.48   |
| AR980069      | Packing Extractor   | \$181.98   |
| AR64516       | Oil (16 oz)   | \$15.80    |

## REPAIR KITS

| MOD     | DESCRIPTION                          | QTY | LIST PRICE |
|---------|--------------------------------------|-----|------------|
| AR2780  | Valves                               | 6   | \$156.20   |
| AR2288  | Pistons $\varnothing$ 20 (xwm)       | 3   | \$303.08   |
| AR2543  | Pistons $\varnothing$ 22 (xw)        | 3   | \$302.18   |
| AR2278  | Water Seals $\varnothing$ 20 (xwm)   | 3   | \$192.89   |
| AR2782  | Water Seals $\varnothing$ 20 (xw)    | 3   | \$155.44   |
| AR2783  | Water Seals $\varnothing$ 22 (xw)    | 3   | \$165.54   |
| AR2781  | Oil Seals                            | 6   | \$73.50    |
| AR2279  | Piston Guides $\varnothing$ 20 (xwm) | 3   | \$138.07   |
| AR2784  | Piston Guides $\varnothing$ 20 (xw)  | 3   | \$116.83   |
| AR2785  | Piston Guides $\varnothing$ 22 (xw)  | 3   | \$142.78   |
| AR43436 | Hot Water Seals $\varnothing$ 20     | 3   | \$756.44   |
| AR42961 | Hot Water Seals $\varnothing$ 22     | 3   | \$837.13   |





### Commercial

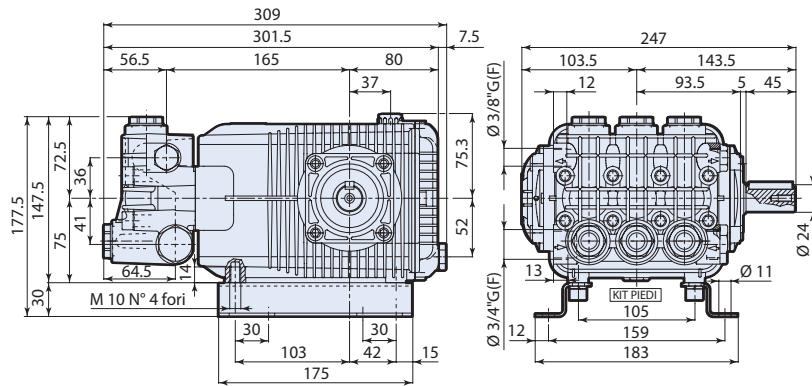
140° F - Max Water Temp  
 3/4" F - Inlet Thread  
 3/8" F - Discharge Thread  
 32 oz - Oil Capacity



● brass head



○ aluminum connecting-rods



### N version

| MOD   | MAX   | MAX  |     | NET | BORE DIA | STROKE | CRANKSHAFT ID STAMP | LIST PRICE |    |      |   |            |
|---|-------|------|-----|-----|----------|--------|---------------------|------------|----|------|---|------------|
|   | l/min | gpm  | bar | psi | ebhp     | rpm    | lbs                 | mm         | mm | \$   |   |            |
| <b>XWA 1750rpm N version 24mm Solid Shaft</b> |       |      |     |     |          |        |                     |            |    |      |   |            |
| XWAM4G40N                                     | ● ○   | 15   | 4   | 275 | 4000     | 11.0   | 1750                | 34         | 20 | 10.0 | 6 | \$1,428.22 |
| XWAM55G40N                                    | ● ○   | 21   | 5.5 | 275 | 4000     | 15.0   | 1750                | 34         | 20 | 13.8 | 4 | \$1,428.22 |
| XWAM7G40N                                     | ● ○   | 25.5 | 7   | 275 | 4000     | 19.2   | 1750                | 34         | 20 | 17.2 | 2 | \$1,546.26 |
| XWAM8G35N                                     | ● ○   | 30   | 8   | 240 | 3500     | 19.2   | 1750                | 34         | 20 | 19.8 | 1 | \$1,546.26 |
| XWA9G30N                                      | ● ○   | 34   | 9   | 200 | 3000     | 18.5   | 1750                | 34         | 22 | 19.8 | 1 | \$1,628.88 |

### SPECIAL PARTS / KITS

| MOD           | DESCRIPTION   | LIST PRICE |
|---------------|---|------------|
| AR2748        | Rail Kit 1-1/4" (2 rails & 4 bolts)                                       | \$26.67    |
| AR2748H       | Rail Kit 2-1/2" (2 rails & 4 bolts)                                       | \$74.62    |
| U-Bracket/Kit | Rail Kit 1-1/2" (2 rails & 4 bolts)                                       | \$76.14    |
| AR2778        | Viton Water Seals $\varnothing$ 20<br>(used only w/ AR2784 Piston Guides) | \$250.94   |
| AR2779        | Viton Water Seals $\varnothing$ 22<br>(used only w/ AR2785 Piston Guides) | \$241.48   |
| AR980069      | Packing Extractor   | \$181.98   |
| AR64516       | Oil (16 oz)   | \$15.80    |

### REPAIR KITS

| MOD     | DESCRIPTION                           | QTY | LIST PRICE |
|---------|---------------------------------------|-----|------------|
| AR2780  | Valves                                | 6   | \$156.20   |
| AR2288  | Pistons $\varnothing$ 20 (XWAM)       | 3   | \$303.08   |
| AR2543  | Pistons $\varnothing$ 22 (XWA)        | 3   | \$302.18   |
| AR2278  | Water Seals $\varnothing$ 20 (XWAM)   | 3   | \$192.89   |
| AR2782  | Water Seals $\varnothing$ 20 (XWA)    | 3   | \$155.44   |
| AR2783  | Water Seals $\varnothing$ 20 (XWA)    | 3   | \$165.54   |
| AR2781  | Oil Seals                             | 6   | \$73.50    |
| AR2279  | Piston Guides $\varnothing$ 20 (XWAM) | 3   | \$138.07   |
| AR2784  | Piston Guides $\varnothing$ 20 (XW)   | 3   | \$116.83   |
| AR2785  | Piston Guides $\varnothing$ 22 (XWA)  | 3   | \$142.78   |
| AR43436 | Hot Water Seals $\varnothing$ 20      | 3   | \$756.44   |
| AR42961 | Hot Water Seals $\varnothing$ 22      | 3   | \$837.13   |



### Commercial

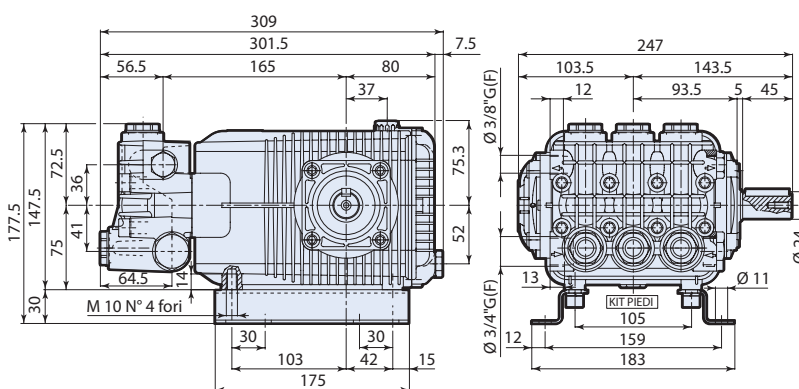
140° F - Max Water Temp  
 3/4" F - Inlet Thread  
 3/8" F - Discharge Thread  
 32 oz - Oil Capacity



● brass head



○ aluminum connecting rods



### N version

| MOD  | MAX<br>l/min | MAX<br>gpm | MAX<br>bar | MAX<br>psi | MAX<br>ebhp | MAX<br>rpm | NET<br>lbs | BORE DIA<br>mm | STROKE<br>mm | CRANKSHAFT ID STAMP | LIST PRICE<br>\$ |
|--|--------------|------------|------------|------------|-------------|------------|------------|----------------|--------------|---------------------|------------------|
| <b>XWT 550rpm N version 24mm Solid Shaft</b> |              |            |            |            |             |            |            |                |              |                     |                  |
| XWT2118N ● ○                                 | 21           | 5.55       | 200        | 3000       | 11.0        | 500        | 34         | 28             | 19.8         | 1                   | \$1,770.53       |

### SPECIAL PARTS / KITS

| MOD           | DESCRIPTION                         | LIST PRICE |
|---------------|-------------------------------------|------------|
| AR2748        | Rail Kit 1-1/4" (2 rails & 4 bolts) | \$26.67    |
| AR2748H       | Rail Kit 2-1/2" (2 rails & 4 bolts) | \$74.62    |
| U-Bracket/Kit | Rail Kit 1-1/2" (2 rails & 4 bolts) | \$76.14    |
| AR64516       | Oil (16 oz)                         | \$15.80    |

### REPAIR KITS

| MOD     | DESCRIPTION              | QTY | LIST PRICE |
|---------|--------------------------|-----|------------|
| AR2780  | Valves                   | 6   | \$156.20   |
| AR1849  | Pistons Ø 28             | 3   | \$454.68   |
| AR1853  | Water Seals Ø 28         | 3   | \$309.84   |
| AR42708 | Water Seals Ø 28 (new)   | 3   | \$298.96   |
| AR2781  | Oil Seals                | 6   | \$73.50    |
| AR2507  | Piston Guides Ø 28       | 3   | \$154.27   |
| AR42650 | Piston Guides Ø 28 (new) | 3   | \$289.42   |
| AR43052 | Hot Water Seals          | 3   | \$806.39   |



# XWF

## SOLID SHAFT PUMP



### Commercial

140° F - Max Water Temp  
 3/4" F - Inlet Thread  
 3/8" F - Discharge Thread  
 32 oz - Oil Capacity



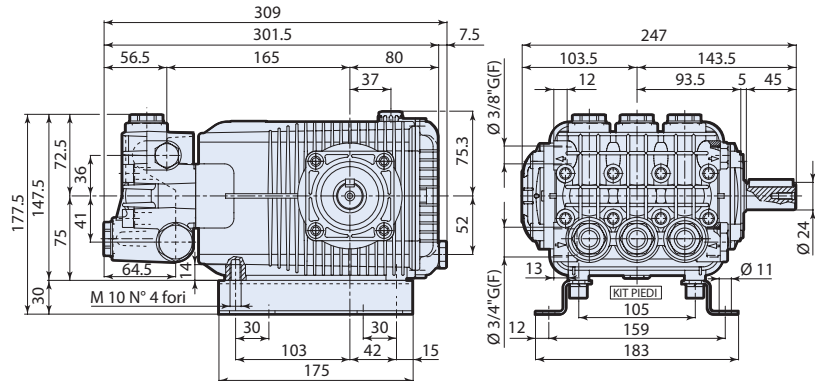
● brass head



○ bronze connecting-rods



○ aluminum connecting-rods



### N version

| MOD   | MAX   | MAX  |     | NET  | BORE DIA | STROKE | CRANKSHAFT ID STAMP | LIST PRICE           |
|---|-------|------|-----|------|----------|--------|---------------------|----------------------|
|   | l/min | gpm  | bar | psi  | ebhp     | rpm    | lbs                 | mm                   |
| <b>XWF 1000rpm N version 24mm Solid Shaft</b> |       |      |     |      |          |        |                     |                      |
| XWF26.20N ● ○                                 | 26    | 6.87 | 200 | 3000 | 13.7     | 1000   | 34                  | 28 15 8 \$1,770.53   |
| XWF3018N ● ○                                  | 30    | 7.92 | 200 | 3000 | 15.8     | 1000   | 34                  | 28 17.2 2 \$1,770.53 |
| XWF3617N ● ○                                  | 36    | 9.51 | 170 | 2500 | 16.3     | 1000   | 34                  | 28 19.8 1 \$1,770.53 |

### SPECIAL PARTS / KITS

| MOD           | DESCRIPTION                         | LIST PRICE |
|---------------|-------------------------------------|------------|
| AR2748        | Rail Kit 1-1/4" (2 rails & 4 bolts) | \$26.67    |
| AR2748H       | Rail Kit 2-1/2" (2 rails & 4 bolts) | \$74.62    |
| U-Bracket/Kit | Rail Kit 1-1/2" (2 rails & 4 bolts) | \$76.14    |
| AR2036        | Viton Water Seals Ø 28              | \$312.41   |
| AR64516       | Oil (16 oz)                         | \$15.80    |

### REPAIR KITS

| MOD     | DESCRIPTION              | QTY | LIST PRICE |
|---------|--------------------------|-----|------------|
| AR2780  | Valves                   | 6   | \$156.20   |
| AR1849  | Pistons Ø 28             | 3   | \$454.68   |
| AR1853  | Water Seals Ø 28         | 3   | \$309.84   |
| AR42708 | Water Seals Ø 28 (new)   | 3   | \$298.96   |
| AR2781  | Oil Seals                | 6   | \$73.50    |
| AR2507  | Piston Guides Ø 28       | 3   | \$154.27   |
| AR42650 | Piston Guides Ø 28 (new) | 3   | \$289.42   |
| AR43052 | Hot Water Seals          | 3   | \$806.39   |



### Commercial

140° F - Max Water Temp  
 3/4" F - Inlet Thread  
 3/8" F - Discharge Thread  
 32 oz - Oil Capacity



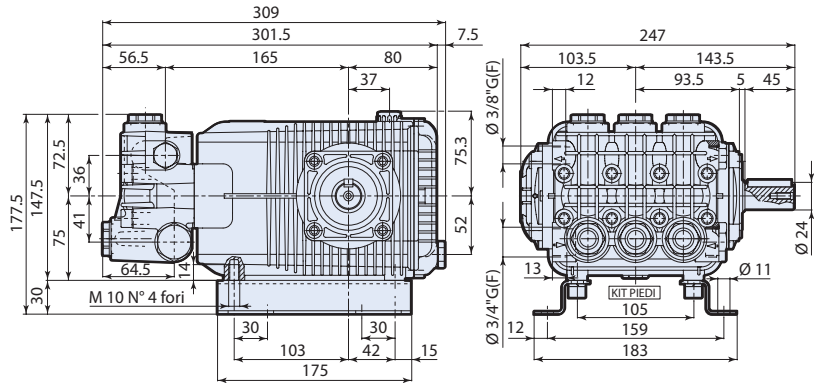
● brass head



○ bronze connecting rods



○ aluminum connecting rods



### N version

| MOD   | MAX   | MAX |       |     | BORE DIA | STROKE | CRANKSHAFT ID STAMP | LIST PRICE |    |      |    |            |
|---|-------|-----|-------|-----|----------|--------|---------------------|------------|----|------|----|------------|
|   | l/min | gpm | bar   | psi | ebhp     | rpm    | lbs                 | mm         | mm |      | \$ |            |
| <b>XWL 1450rpm N version 24mm Solid Shaft</b> |       |     |       |     |          |        |                     |            |    |      |    |            |
| XWL41.21N                                     | ● ○   | 41  | 10.8  | 200 | 3000     | 22.2   | 1450                | 34         | 28 | 16.6 | 3  | \$1,935.78 |
| XWL42.15N                                     | ● ○   | 42  | 11.09 | 150 | 2200     | 16.7   | 1450                | 34         | 28 | 17.2 | 2  | \$1,770.53 |
| XWL50.15N                                     | ● ○   | 50  | 13.2  | 150 | 2200     | 19.9   | 1450                | 34         | 28 | 19.4 | 10 | \$1,935.78 |
| XWL50.20NB                                    | ● ○   | 50  | 13.2  | 200 | 3000     | 25.5   | 1450                | 34         | 28 | 19.4 | 10 | \$2,193.09 |

### SPECIAL PARTS / KITS

| MOD           | DESCRIPTION                                  | LIST PRICE |
|---------------|--|------------|
| AR2748        | Rail Kit 1-1/4" (2 rails & 4 bolts)          | \$26.67    |
| AR2748H       | Rail Kit 2-1/2" (2 rails & 4 bolts)          | \$74.62    |
| U-Bracket/Kit | Rail Kit 1-1/2" (2 rails & 4 bolts)          | \$76.14    |
| AR2036        | Viton Water Seals Ø 28                       | \$312.41   |
| AR64516       | Oil (16 oz)                                  | \$15.80    |
| AR1944790     | Grease Zerk for shaft - XWL Hyd Direct Drive | \$5.66     |

### REPAIR KITS

| MOD     | DESCRIPTION              | QTY | LIST PRICE |
|---------|--------------------------|-----|------------|
| AR2780  | Valves                   | 6   | \$156.20   |
| AR1849  | Pistons Ø 28             | 3   | \$454.68   |
| AR1853  | Water Seals Ø 28         | 3   | \$309.84   |
| AR42708 | Water Seals Ø 28 (new)   | 3   | \$298.96   |
| AR2781  | Oil Seals                | 6   | \$73.50    |
| AR2507  | Piston Guides Ø 28       | 3   | \$154.27   |
| AR42650 | Piston Guides Ø 28 (new) | 3   | \$289.42   |
| AR43052 | Hot Water Seals          | 3   | \$806.39   |





# XWLA

## SOLID SHAFT PUMP



### Commercial

140° F - Max Water Temp  
 3/4" F - Inlet Thread  
 3/8" F - Discharge Thread  
 32 oz - Oil Capacity



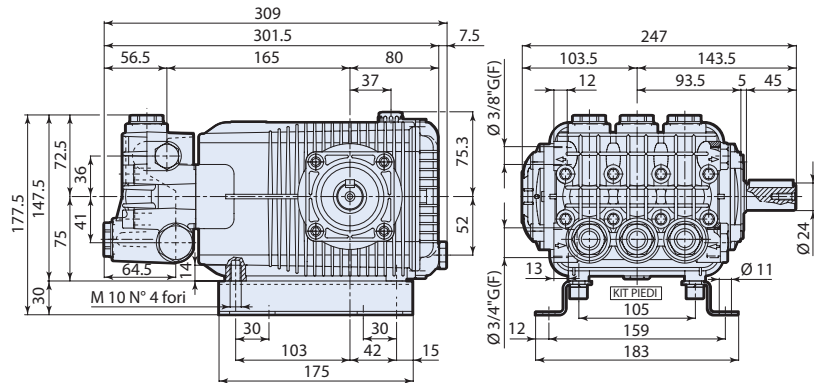
● brass head



○ aluminum connecting-rods



○ bronze connecting-rods



### N version

| MOD  | MAX   | MAX |     |     | BORE DIA | STROKE | CRANKSHAFT ID STAMP | LIST PRICE              |
|--|-------|-----|-----|-----|----------|--------|---------------------|-------------------------|
|  | l/min | gpm | bar | psi | ebhp     | rpm    | lbs                 | mm                      |
| <b>XWLA 1750rpm N version 24mm Solid Shaft</b> |       |     |     |     |          |        |                     |                         |
| XWLA13G15N                                     | ● ○   | 49  | 13  | 100 | 1450     | 13.0   | 1750                | 34 28 17.2 2 \$1,770.53 |
| XWLA10G30N                                     | ● ○   | 38  | 10  | 207 | 3000     | 20.6   | 1750                | 34 28 12.2 5 \$1,935.78 |
| XWLA11G30N                                     | ● ○   | 42  | 11  | 207 | 3000     | 22.6   | 1750                | 34 28 13.8 4 \$2,193.09 |

### SPECIAL PARTS / KITS

| MOD           | DESCRIPTION                         | LIST PRICE |
|---------------|-------------------------------------|------------|
| AR2748        | Rail Kit 1-1/4" (2 rails & 4 bolts) | \$26.67    |
| AR2748H       | Rail Kit 2-1/2" (2 rails & 4 bolts) | \$74.62    |
| U-Bracket/Kit | Rail Kit 1-1/2" (2 rails & 4 bolts) | \$76.14    |
| AR2036        | Viton Water Seals Ø 28              | \$312.41   |
| AR64516       | Oil (16 oz)                         | \$15.80    |

### REPAIR KITS

| MOD     | DESCRIPTION              | QTY | LIST PRICE |
|---------|--------------------------|-----|------------|
| AR2780  | Valves                   | 6   | \$156.20   |
| AR1849  | Pistons Ø 28             | 3   | \$454.68   |
| AR1853  | Water Seals Ø 28         | 3   | \$309.84   |
| AR42708 | Water Seals Ø 28 (new)   | 3   | \$298.96   |
| AR2781  | Oil Seals                | 6   | \$73.50    |
| AR2507  | Piston Guides Ø 28       | 3   | \$154.27   |
| AR42650 | Piston Guides Ø 28 (new) | 3   | \$289.42   |
| AR43052 | Hot Water Seals          | 3   | \$806.39   |



## Commercial

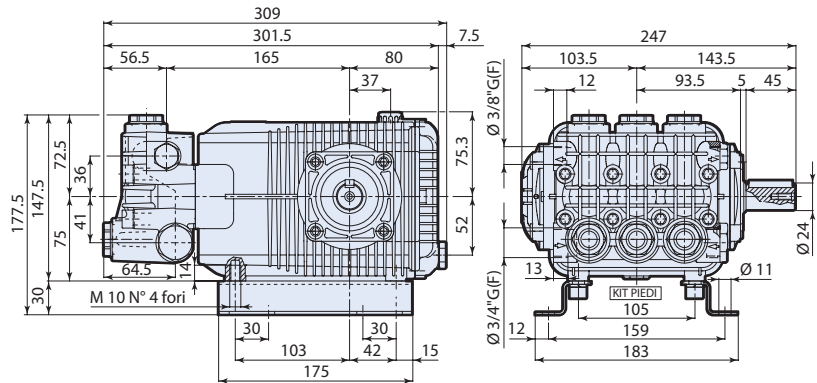
140° F - Max Water Temp  
 1/2" F - Inlet Thread  
 3/8" F - Discharge Thread  
 32 oz - Oil Capacity



● brass head



○ aluminum connecting rods



## N version

| MOD   | MAX   | MAX |      | NET | BORE DIA | STROKE | CRANKSHAFT ID STAMP | LIST PRICE |    |    |    |            |
|---|-------|-----|------|-----|----------|--------|---------------------|------------|----|----|----|------------|
|   | l/min | gpm | bar  | psi | ebhp     | rpm    | lbs                 | mm         | mm |    | \$ |            |
| <b>SXW 1450rpm N version 24mm Solid Shaft</b> |       |     |      |     |          |        |                     |            |    |    |    |            |
| SXW15.35                                      | ● ○   | 15  | 3.96 | 350 | 5100     | 15.0   | 1450                | 35         | 18 | 15 | 8  | \$1,923.97 |
| SXW21.350                                     | ● ○   | 21  | 5.55 | 350 | 5100     | 20.0   | 1450                | 35         | 18 | 21 | 7  | \$1,923.97 |

## SPECIAL PARTS / KITS

| MOD           | DESCRIPTION                         | LIST PRICE |
|---------------|-------------------------------------|------------|
| AR2748        | Rail Kit 1-1/4" (2 rails & 4 bolts) | \$26.67    |
| AR2748H       | Rail Kit 2-1/2" (2 rails & 4 bolts) | \$74.62    |
| U-Bracket/Kit | Rail Kit 1-1/2" (2 rails & 4 bolts) | \$76.14    |
| AR394280      | Valve O-Ring                        | \$0.84     |
| AR1941040     | Valve Fiber Ring                    | \$2.81     |
| AR64516       | Oil (16 oz)                         | \$15.80    |

## REPAIR KITS

| MOD     | DESCRIPTION     | QTY | LIST PRICE |
|---------|-----------------|-----|------------|
| AR2871  | Valves          | 6   | \$194.31   |
| AR2548  | Pistons         | 3   | \$261.53   |
| AR2874  | Water Seals     | 3   | \$200.96   |
| AR42708 | Oil Seals       | 6   | \$298.96   |
| AR42120 | Piston Guides   | 3   | \$160.68   |
| AR43437 | Hot Water Seals | 3   | \$816.83   |





### Commercial

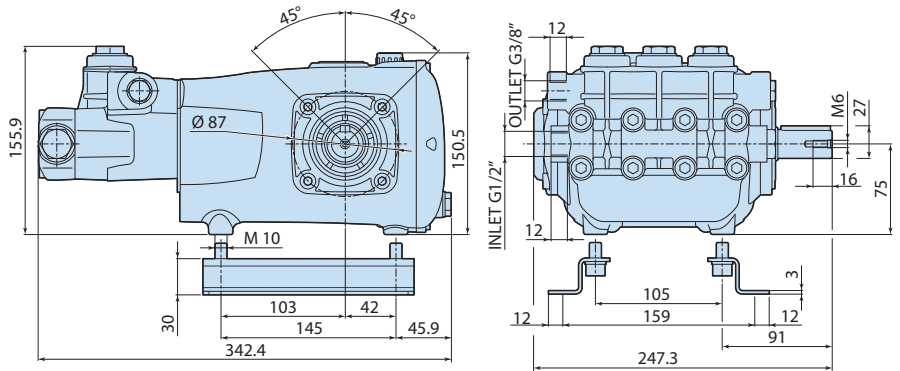
140° F - Max Water Temp  
 1/2" F - Inlet Thread  
 3/8" F - Discharge Thread  
 31.8 oz - Oil Capacity



● brass head



○ aluminum connecting rods



### N version

| MOD   | MAX   | MAX |     | NET | BORE DIA | STROKE | CRANKSHAFT ID STAMP | LIST PRICE |    |    |    |            |
|---|-------|-----|-----|-----|----------|--------|---------------------|------------|----|----|----|------------|
|   | l/min | gpm | bar | psi | ebhp     | rpm    | lbs                 | mm         | mm |    | \$ |            |
| <b>RGX 1450rpm N version 24mm Solid Shaft</b> |       |     |     |     |          |        |                     |            |    |    |    |            |
| RGX1550N                                      | ● ○   | 15  | 4   | 500 | 7250     | 20.0   | 1450                | 35.5       | 18 | 15 | 8  | \$1,888.56 |
| RGX2250N                                      | ● ○   | 22  | 5.8 | 500 | 7250     | 29.0   | 1450                | 35.5       | 18 | 21 | 21 | \$1,888.56 |

### SPECIAL PARTS / KITS

| MOD     | DESCRIPTION                         | LIST PRICE |
|---------|-------------------------------------|------------|
| AR2748  | Rail Kit 1-1/4" (2 rails & 4 bolts) | \$26.67    |
| AR2748H | Rail Kit 2-1/2" (2 rails & 4 bolts) | \$74.62    |
| AR64516 | Oil (16 oz)                         | \$15.80    |

### REPAIR KITS

| MOD     | DESCRIPTION   | QTY | LIST PRICE |
|---------|---------------|-----|------------|
| AR43408 | Valves        | 1   | \$142.93   |
| AR43409 | Pistons       | 1   | \$71.50    |
| AR43410 | Water Seals   | 1   | \$108.02   |
| AR2873  | Oil Seals     | 7   | \$53.95    |
| AR43411 | Piston Guides | 3   | \$72.02    |





# RGX

## SOLID SHAFT PUMP



### Commercial

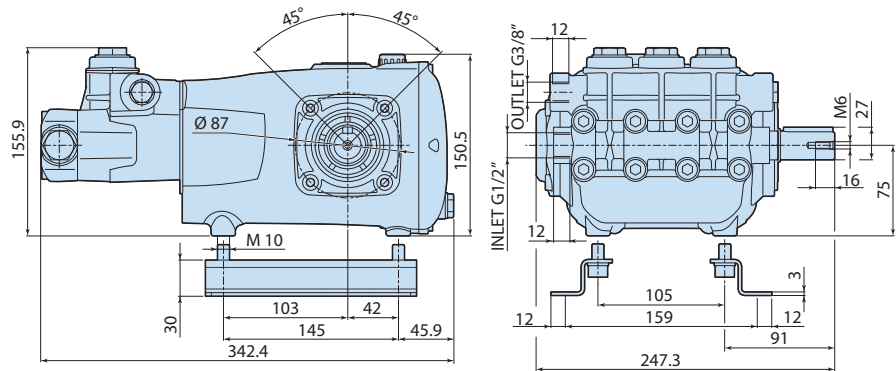
140° F - Max Water Temp  
 1/2" - Inlet Thread  
 3/8" F - Discharge Thread  
 31.8 oz - Oil Capacity



● brass head



○ aluminum connecting rods



### N version

| MOD   | MAX   | MAX |     | NET | BORE DIA | STROKE | CRANKSHAFT ID STAMP | LIST PRICE |    |    |    |            |
|---|-------|-----|-----|-----|----------|--------|---------------------|------------|----|----|----|------------|
|   | l/min | gpm | bar | psi | ebhp     | rpm    | lbs                 | mm         | mm |    | \$ |            |
| <b>RGXA 1750 rpm N version 24mm Solid Shaft</b> |       |     |     |     |          |        |                     |            |    |    |    |            |
| RGXA4G70HN                                      | ● ○   | 15  | 4   | 480 | 7000     | 19.22  | 1750                | 35.2       | 18 | 12 | 5  | \$1,951.05 |

### SPECIAL PARTS / KITS

| MOD     | DESCRIPTION                         | LIST PRICE |
|---------|-------------------------------------|------------|
| AR2748  | Rail Kit 1-1/4" (2 rails & 4 bolts) | \$26.67    |
| AR2748H | Rail Kit 2-1/2" (2 rails & 4 bolts) | \$74.62    |
| AR64516 | Oil (16 oz)                         | \$15.80    |

### REPAIR KITS

| MOD     | DESCRIPTION   | QTY | LIST PRICE |
|---------|---------------|-----|------------|
| AR43408 | Valves        | 1   | \$142.93   |
| AR43409 | Pistons       | 1   | \$71.50    |
| AR43410 | Water Seals   | 1   | \$108.02   |
| AR2873  | Oil Seals     | 7   | \$53.95    |
| AR43411 | Piston Guides | 3   | \$72.02    |



RECYCLED  
RGX 16.50  
40217130834425514  
USE SAE J510/90

# INDUSTRIAL PUMPS

XWP  
SHP  
SHPA  
RTX

RTD  
RTP  
RTJ  
RTF



*Pumps for larger applications.*

*Solid shaft pumps for pulley driving or  
direct coupling to electric motor.*

*Pressures ranging from 1,450-8,700 psi.  
Flow Ranging from 4-40 gpm.*









# SHP

## SOLID SHAFT PUMP



### Industrial

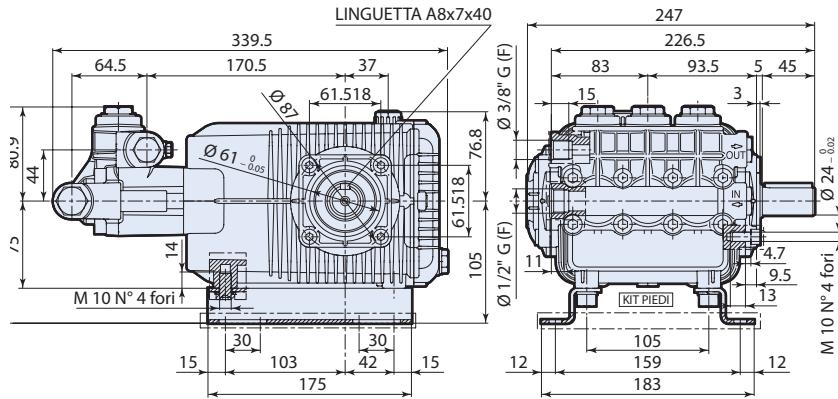
140° F - Max Water Temp  
 1/2" F - Inlet Thread  
 3/8" F - Discharge Thread  
 32 oz - Oil Capacity



● nickel plated brass head



○ aluminum connecting rods



### N version

| MOD | MAX   | MAX |     |     | BORE DIA | STROKE | CRANKSHAFT ID STAMP | LIST PRICE |
|-----|-------|-----|-----|-----|----------|--------|---------------------|------------|
|     | l/min | gpm | bar | psi | ebhp     | rpm    | lbs                 | mm         |

| SHP 1450rpm N version 24mm Solid Shaft |     |    |      |     |      |      |      |    |    |      |    |            |
|--|-----|----|------|-----|------|------|------|----|----|------|----|------------|
| SHP1550HN                              | ● ○ | 15 | 3.96 | 500 | 7250 | 20.0 | 1450 | 29 | 18 | 15   | 8  | \$2,573.16 |
| SHP2050HN                              | ○ ○ | 20 | 5.3  | 500 | 7250 | 26.4 | 1450 | 29 | 18 | 18.8 | 12 | \$2,573.16 |
| SHP2250HN                              | ● ○ | 22 | 5.8  | 500 | 7250 | 28.9 | 1450 | 29 | 18 | 21   | 7  | \$2,573.16 |

### SPECIAL PARTS / KITS

| MOD           | DESCRIPTION                         | LIST PRICE |
|---------------|-------------------------------------|------------|
| AR2748        | Rail Kit 1-1/4" (2 rails & 4 bolts) | \$26.67    |
| AR2748H       | Rail Kit 2-1/2" (2 rails & 4 bolts) | \$74.62    |
| U-Bracket/Kit | Rail Kit 1-1/2" (2 rails & 4 bolts) | \$76.14    |
| AR64516       | Oil (16 oz)                         | \$15.80    |

### REPAIR KITS

| MOD     | DESCRIPTION   | QTY | LIST PRICE |
|---------|---------------|-----|------------|
| AR2185  | Valves        | 6   | \$257.95   |
| AR2548  | Pistons       | 3   | \$261.53   |
| AR2874  | Water Seals   | 3   | \$200.96   |
| AR2873  | Oil Seals     | 6   | \$53.95    |
| AR42120 | Piston Guides | 3   | \$160.68   |



### Industrial

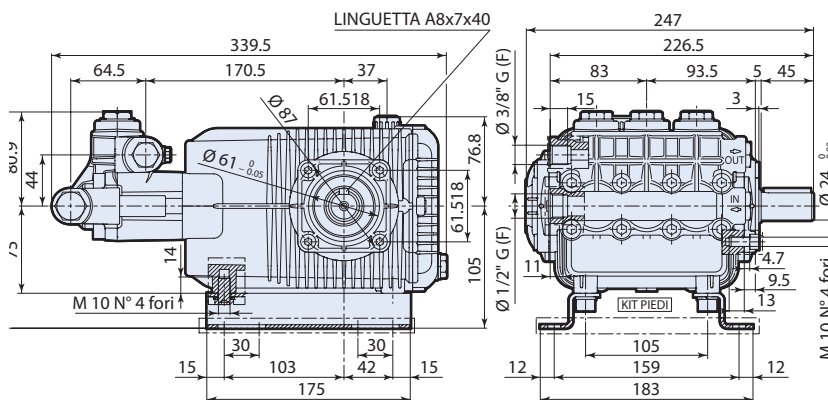
140° F - Max Water Temp  
 1/2" F - Inlet Thread  
 3/8" F - Discharge Thread  
 32 oz - Oil Capacity



● nickel plated brass head



○ aluminum connecting rods



## N version

| MOD | MAX   | MAX |     |     |      | NET | BORE DIA | STROKE | CRANKSHAFT ID STAMP | LIST PRICE |
|-----|-------|-----|-----|-----|------|-----|----------|--------|---------------------|------------|
|     | l/min | gpm | bar | psi | ebhp | rpm | lbs      | mm     | mm                  | \$         |

### SHPA 1750rpm N version 24mm Solid Shaft

SHPA4G70HN ● ○ 15.1 4 500 7250 20.0 1750 29 18 12.2 5 \$2,573.16

### SPECIAL PARTS / KITS

| MOD           | DESCRIPTION                         | LIST PRICE |
|---------------|-------------------------------------|------------|
| AR2748        | Rail Kit 1-1/4" (2 rails & 4 bolts) | \$26.67    |
| AR2748H       | Rail Kit 2-1/2" (2 rails & 4 bolts) | \$74.62    |
| U-Bracket/Kit | Rail Kit 1-1/2" (2 rails & 4 bolts) | \$76.14    |
| AR64516       | Oil (16 oz)                         | \$15.80    |

### REPAIR KITS

| MOD     | DESCRIPTION   | QTY | LIST PRICE |
|---------|---------------|-----|------------|
| AR2185  | Valves        | 6   | \$257.95   |
| AR2548  | Pistons       | 3   | \$261.53   |
| AR2874  | Water Seals   | 3   | \$200.96   |
| AR2873  | Oil Seals     | 6   | \$53.95    |
| AR42120 | Piston Guides | 3   | \$160.68   |



# RTX

## SOLID SHAFT PUMP

### Industrial

140° F - Max Water Temp  
 1" F - Inlet Thread  
 1/2" F - Discharge Thread  
 76 oz - Oil Capacity



● nickel plated brass head



○ aluminum connecting-rods

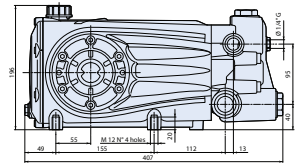
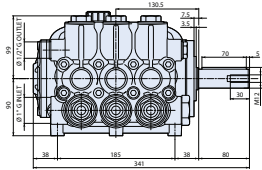


○ bronze connecting-rods



RPM

○ runs at both 1450 and 1750 rpm



## N version

| MOD | MAX   | MAX |     | NET | BORE DIA | STROKE | CRANKSHAFT ID STAMP | LIST PRICE |
|-----|-------|-----|-----|-----|----------|--------|---------------------|------------|
|     | l/min | gpm | bar | psi | ebhp     | rpm    | lbs                 | mm         |

| RTX 1450rpm N version 30 x 80mm Solid Shaft |       |      |      |     |      |      |      |    |    |    |   |            |
|---|-------|------|------|-----|------|------|------|----|----|----|---|------------|
| RTX30                                       | ● ○ ○ | 30.3 | 8.0  | 300 | 4350 | 23.9 | 1450 | 72 | 20 | 23 | 3 | \$3,788.92 |
| RTX50                                       | ○ ○ ○ | 45.4 | 12.0 | 300 | 4350 | 35.8 | 1450 | 72 | 25 | 23 | 3 | \$3,788.92 |
| RTX60                                       | ● ○ ○ | 53.0 | 14.0 | 300 | 4350 | 41.8 | 1450 | 72 | 25 | 28 | 1 | \$3,788.92 |
| RTX70 *                                     | ○ ○ ○ | 64.4 | 17.0 | 200 | 3000 | 33.8 | 1450 | 72 | 30 | 23 | 3 | \$3,788.92 |
| RTX85 *                                     | ● ○ ○ | 85.0 | 21.0 | 200 | 2200 | 31.7 | 1450 | 72 | 30 | 28 | 1 | \$3,788.92 |
| RTX100 *                                    | ○ ○   | 90.8 | 24.0 | 124 | 1800 | 29.8 | 1450 | 72 | 36 | 23 | 3 | \$3,788.92 |
| RTX150.100N                                 | ● ○   | 150  | 39.6 | 100 | 1500 | 36.2 | 1450 | 72 | 40 | 28 | 1 | \$3,788.92 |

\* Hot Seals Available

### SPECIAL PARTS / KITS

| MOD               | DESCRIPTION  | LIST PRICE |
|-------------------|--|------------|
| U-Bracket/RTX/Kit | Rail Kit 3" (2 rails & 4 bolts)                    | \$268.21   |
| AR770130          | Valve Seat O-Ring                                  | \$0.78     |
| AR2821330         | Valve Seat Back-up Ring                            | \$11.97    |
| AR645107          | Oil (SAE30) (1.07 gal)                             | \$183.60   |
| AR3662430         | Grease Zerk for shaft - RTX / RTD Hyd Direct Drive | \$8.00     |

### REPAIR KITS

| MOD     | DESCRIPTION         | QTY | LIST PRICE |
|---------|---------------------|-----|------------|
| AR43555 | Hot Water Seal ø 30 | 3   | \$2,171.67 |
| AR43556 | Hot Water Seal ø 36 | 3   | \$1,972.70 |
| AR47433 | Hot Water Seal ø 40 | 3   | \$1,258.80 |
| AR42835 | Valves              | 6   | \$217.28   |
| AR46095 | Valves ø 40         | 6   | \$218.01   |
| AR42836 | Pistons ø 20        | 3   | \$361.97   |

### REPAIR KITS (CONTINUED)

| MOD     | DESCRIPTION        | QTY | LIST PRICE |
|---------|--------------------|-----|------------|
| AR42837 | Pistons ø 25       | 3   | \$405.43   |
| AR42838 | Pistons ø 30       | 3   | \$409.65   |
| AR42839 | Pistons ø 36       | 3   | \$421.69   |
| AR46096 | Pistons ø 40       | 3   | \$459.52   |
| AR42840 | Oil Seals          | 7   | \$75.31    |
| AR42841 | Water Seals ø 20   | 3   | \$289.11   |
| AR42842 | Water Seals ø 25   | 3   | \$303.57   |
| AR42843 | Water Seals ø 30   | 3   | \$315.96   |
| AR42844 | Water Seals ø 36   | 3   | \$325.94   |
| AR46097 | Water Seals ø 40   | 3   | \$349.69   |
| AR42851 | Piston Guides ø 20 | 3   | \$148.64   |
| AR42852 | Piston Guides ø 25 | 3   | \$134.18   |
| AR42853 | Piston Guides ø 30 | 3   | \$135.52   |
| AR42854 | Piston Guides ø 36 | 3   | \$131.17   |
| AR46098 | Piston Guides ø 40 | 3   | \$147.26   |



### Industrial

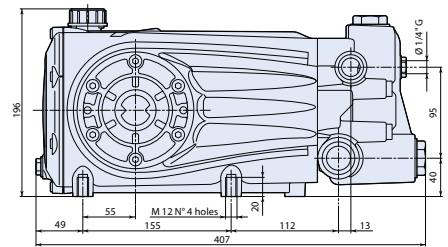
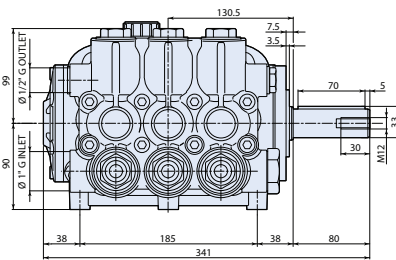
140° F - Max Water Temp  
 3/4" F - Inlet Thread  
 3/8" F - Discharge Thread  
 76 oz - Oil Capacity



● nickel plated brass head



○ bronze connecting rods



### N version

| MOD  | MAX   | MAX  |     | NET | BORE DIA | STROKE | CRANKSHAFT ID STAMP | LIST PRICE |    |    |    |            |
|--|-------|------|-----|-----|----------|--------|---------------------|------------|----|----|----|------------|
|  | l/min | gpm  | bar | psi | ebhp     | rpm    | lbs                 | mm         | mm |    | \$ |            |
| <b>RTX 1450rpm N version 30 x 80mm Solid Shaft</b> |       |      |     |     |          |        |                     |            |    |    |    |            |
| RTX30.500  | ● ○   | 30.3 | 8.0 | 500 | 7250     | 39.8   | 1450                | 72         | 20 | 23 | 3  | \$4,780.42 |

### SPECIAL PARTS / KITS

| MOD           | DESCRIPTION                     | LIST PRICE |
|---------------|---------------------------------|------------|
| U-Bracket/Kit | Rail Kit 3" (2 rails & 4 bolts) | \$76.14    |
| AR770130      | Valve Seat O-Ring               | \$0.78     |
| AR2821330     | Valve Seat Back-up Ring         | \$11.97    |
| AR645107      | Oil (SAE30) (1.07 gal)          | \$183.60   |

### REPAIR KITS

| MOD     | DESCRIPTION        | QTY | LIST PRICE |
|---------|--------------------|-----|------------|
| AR43762 | Valves             | 6   | \$217.28   |
| AR42836 | Pistons ø 20       | 3   | \$361.97   |
| AR43763 | Water Seals ø 20   | 3   | \$289.11   |
| AR42840 | Oil Seals          | 7   | \$75.31    |
| AR43764 | Piston Guides ø 20 | 3   | \$148.64   |





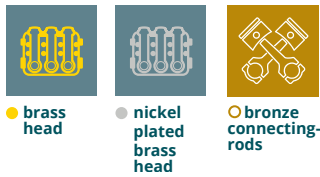
# RTD

## SOLID SHAFT PUMP

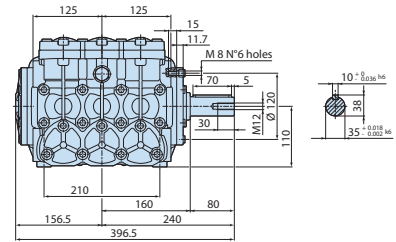
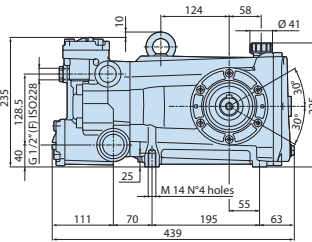


### Industrial

140° F - Max Water Temp  
 1 1/2" - Inlet Thread  
 1" - Discharge Thread  
 110 oz - Oil Capacity



Nickel Plated



### N version

| MOD   | MAX   | MAX   |      |     | BORE DIA | STROKE | CRANKSHAFT ID STAMP | LIST PRICE             |
|---|-------|-------|------|-----|----------|--------|---------------------|------------------------|
|   | l/min | gpm   | bar  | psi | mm       | mm     |                     | \$                     |
| <b>RTD 1000rpm N version 35mm Solid Shaft</b> |       |       |      |     |          |        |                     |                        |
| RTD80-300                                     | ● ○   | 79.5  | 21.0 | 300 | 4350     | 65.0   | 1000                | 128 32 35 4 \$7,400.79 |
| RTD100-200                                    | ● ○   | 94.6  | 25.0 | 200 | 3000     | 49.8   | 1000                | 128 32 42 3 \$7,400.79 |
| RTD100-200SX                                  | ● ○   | 94.6  | 25.0 | 200 | 3000     | 49.8   | 1000                | 128 32 42 3 \$7,400.79 |
| RTD130-160                                    | ● ○   | 121.1 | 34.3 | 160 | 2300     | 50.5   | 1000                | 128 36 42 3 \$7,400.79 |
| RTD130-200H                                   | ● ○   | 115.0 | 34.3 | 200 | 3000     | 68.0   | 1000                | 128 36 42 3 \$7,731.28 |
| RTD160-130                                    | ● ○   | 151.4 | 40.0 | 130 | 2000     | 54.8   | 1000                | 128 40 42 3 \$7,400.79 |
| RTD200-100*                                   | ● ○   | 200   | 53   | 100 | 1450     | 52.6   | 950                 | 130 44 48 1 \$7,366.66 |

SX - 180° Rotated Shaft  
 \*Nickel plated cast iron head

### SPECIAL PARTS / KITS

| MOD         | DESCRIPTION  | LIST PRICE |
|-------------|--|------------|
| AR46108     | Plug Kit (Inlet/Outlet)                            | \$141.43   |
| BRACKET-RTD | Rail Kit 3.576"                                    | \$144.39   |
| AR645107    | Oil (SAE30) (1.07 gal)                             | \$183.60   |
| AR43627     | Piston Guide Kit ø 36                              | \$644.91   |
| AR43628     | Piston Guide Kit ø 40                              | \$644.91   |
| AR3662430   | Grease Zerk for shaft - RTX / RTD Hyd Direct Drive | \$8.00     |

### REPAIR KITS

| MOD     | DESCRIPTION           | QTY | LIST PRICE |
|---------|-----------------------|-----|------------|
| AR43614 | Valves                | 6   | \$501.42   |
| AR43623 | Pistons ø 36          | 3   | \$424.79   |
| AR43624 | Pistons ø 40          | 3   | \$472.38   |
| AR43797 | Pistons ø 32          | 3   | \$538.00   |
| AR43625 | Water Seals ø 36      | 3   | \$395.50   |
| AR43626 | Water Seals ø 40      | 3   | \$451.66   |
| AR43798 | Water Seals ø 32      | 3   | \$559.28   |
| AR43799 | Piston Guides ø 32    | 1   | \$457.60   |
| AR43616 | Oil Seals             | 6   | \$119.98   |
| AR46108 | Inlet/Outlet Plug Kit | 1   | \$141.43   |
| AR46519 | Hot Water Seals ø 32  | 3   | \$1,744.24 |
| AR47434 | Hot Water Seals ø 40  | 3   | \$1,584.39 |



### Industrial

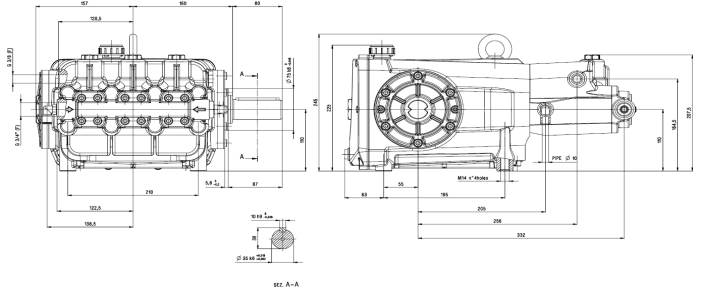
140° F - Max Water Temp  
 3/4" - Inlet Thread  
 3/8" - Discharge Thread  
 110 oz - Oil Capacity



● nickel plated brass head



○ bronze connecting rods



## N version

| MOD   | MAX   |     | MAX |      | rpm  |      | lb NET | BORE DIA | STROKE | CRANKSHAFT ID STAMP | LIST PRICE  |
|---|-------|-----|-----|------|------|------|--------|----------|--------|---------------------|-------------|
|   | l/min | gpm | bar | psi  | ebhp | rpm  | lbs    | mm       | mm     |                     | \$          |
| <b>RTD 1000rpm N version 35mm Solid Shaft</b> |       |     |     |      |      |      |        |          |        |                     |             |
| RTD30.600HN ● ○                               | 7.9   | 7.9 | 600 | 8700 | 50   | 1000 | 144    | 20       | 35     | 4                   | \$10,070.33 |
| RTD38.600HN ○ ○                               | 38    | 10  | 600 | 8700 | 60   | 1000 | 144    | 20       | 42     | 3                   | \$10,070.33 |

### SPECIAL PARTS / KITS

| MOD         | DESCRIPTION  | LIST PRICE |
|-------------|--|------------|
| BRACKET-RTD | Rail Kit 3.576"                                    | \$164.76   |
| AR645107    | Oil (SAE30) (1.07 gal)                             | \$183.60   |
| AR3662430   | Grease Zerk for shaft - RTX / RTD Hyd Direct Drive | \$8.00     |

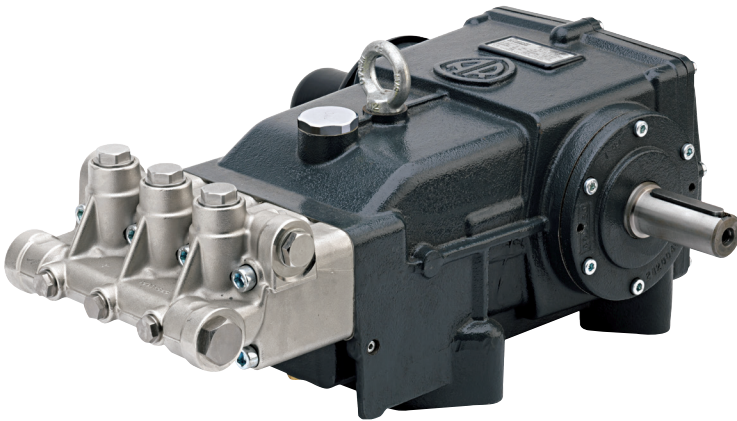
### REPAIR KITS

| MOD     | DESCRIPTION        | QTY | LIST PRICE |
|---------|--------------------|-----|------------|
| AR47502 | Valves             | 6   | \$406.47   |
| AR42157 | Pistons ø 20       | 3   | \$300.70   |
| AR47503 | Water Seals ø 20   | 6   | \$266.28   |
| AR47504 | Piston Guides ø 20 | 3   | \$575.51   |
| AR43616 | Oil Seals          | 3   | \$119.98   |



# RTP

## SOLID SHAFT PUMP



### Industrial

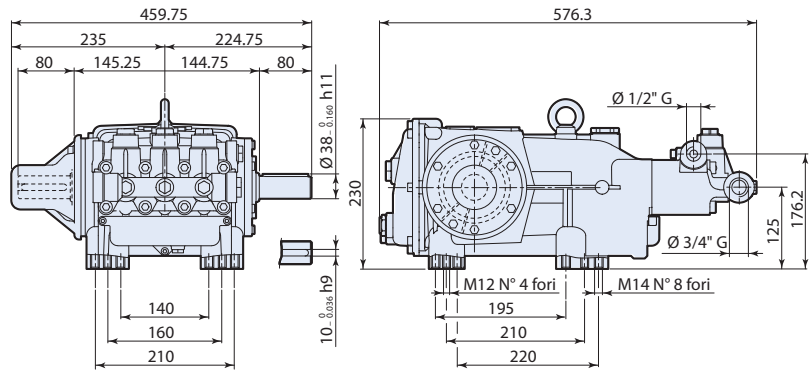
140° F - Max Water Temp  
 3/4" F - Inlet Thread  
 1/2" F - Discharge Thread  
 137 oz - Oil Capacity



● nickel plated brass head



○ bronze connecting-rods



## N version

| MOD | MAX   | MAX |     | NET | BORE DIA | STROKE | CRANKSHAFT ID STAMP | LIST PRICE |
|-----|-------|-----|-----|-----|----------|--------|---------------------|------------|
|     | l/min | gpm | bar | psi | ebhp     | rpm    | lbs                 | mm         |

### RTP 1000rpm N version 35mm Solid Shaft

|           |     |    |     |     |      |      |      |     |    |    |   |             |
|-----------|-----|----|-----|-----|------|------|------|-----|----|----|---|-------------|
| RTP30N    | ● ○ | 30 | 7.9 | 500 | 7250 | 39.3 | 1000 | 177 | 20 | 34 | 2 | \$10,233.63 |
| RTP38N    | ○ ○ | 38 | 10  | 500 | 7250 | 49.8 | 1000 | 177 | 20 | 42 | 1 | \$10,233.63 |
| RTP30.60N | ● ○ | 30 | 7.9 | 600 | 8700 | 47.2 | 1000 | 177 | 20 | 34 | 2 | \$10,233.63 |

### SPECIAL PARTS / KITS

| MOD                 | DESCRIPTION             | LIST PRICE |
|---------------------|-------------------------|------------|
| AR880830            | Valve Seat O-Ring       | \$1.67     |
| AR2820270           | Valve Seat Back-up Ring | \$6.08     |
| BRACKET-RTP/RTF/RTJ | Rail Kit 2"             | \$139.14   |
| AR645107            | Oil (SAE30) (1.07 gal)  | \$183.60   |

### REPAIR KITS

| MOD     | DESCRIPTION             | QTY | LIST PRICE |
|---------|-------------------------|-----|------------|
| AR42156 | Valves                  | 6   | \$284.92   |
| AR42157 | Pistons                 | 3   | \$1,785.46 |
| AR42159 | Water Seals             | 3   | \$864.09   |
| AR42158 | Oil Seals               | 8   | \$312.51   |
| AR42160 | Piston Guides RTP 30/38 | 3   | \$454.45   |
| AR42558 | Piston Guides RTP 30.60 | 3   | \$454.45   |



## Industrial

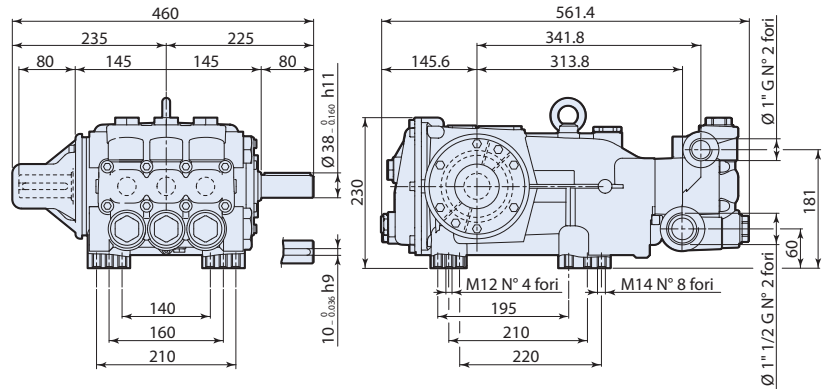
140° F - Max Water Temp  
 1-1/2" F - Inlet Thread  
 1" F - Discharge Thread  
 137 oz - Oil Capacity



● nickel plated brass head



○ bronze connecting rods



## N version

| MOD   | MAX   | MAX  |     | NET  | BORE DIA | STROKE | CRANKSHAFT ID STAMP | LIST PRICE |    |   |             |
|---|-------|------|-----|------|----------|--------|---------------------|------------|----|---|-------------|
|   | l/min | gpm  | bar | psi  | ebhp     | rpm    | lbs                 | mm         | mm |   | \$          |
| <b>RTJ 1000rpm N version 35mm Solid Shaft</b> |       |      |     |      |          |        |                     |            |    |   |             |
| RTJ70N ● ○                                    | 70    | 18.5 | 275 | 4000 | 50.8     | 1000   | 198                 | 25         | 48 | 3 | \$10,953.64 |

### SPECIAL PARTS / KITS

| MOD                 | DESCRIPTION             | LIST PRICE |
|---------------------|-------------------------|------------|
| AR770130            | Valve Seat O-Ring       | \$0.78     |
| AR2821330           | Valve Seat Back-up Ring | \$11.97    |
| BRACKET-RTP/RTF/RTJ | Rail Kit 2"             | \$139.14   |
| AR645107            | Oil (SAE30) (1.07 gal)  | \$183.60   |

### REPAIR KITS

| MOD     | DESCRIPTION   | QTY | LIST PRICE |
|---------|---------------|-----|------------|
| AR42427 | Valves        | 6   | \$617.82   |
| AR42559 | Pistons       | 3   | \$1,894.55 |
| AR42428 | Water Seals   | 3   | \$683.57   |
| AR42560 | Oil Seals     | 8   | \$269.76   |
| AR42429 | Piston Guides | 3   | \$449.20   |





# RTF

## SOLID SHAFT PUMP



### Industrial

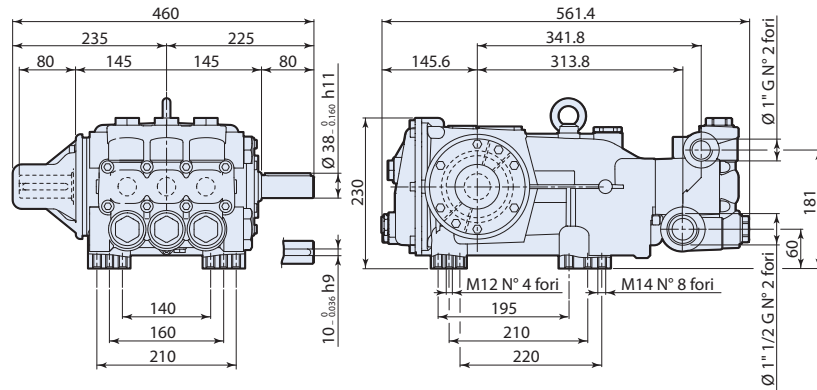
140° F - Max Water Temp  
 1-1/2" F - Inlet Thread  
 1" F - Discharge Thread  
 137 oz - Oil Capacity



● nickel plated brass head



○ bronze connecting-rods



### N version

| MOD   | MAX   | MAX |     | NET | BORE DIA | STROKE | CRANKSHAFT ID STAMP | LIST PRICE |    |    |    |             |
|---|-------|-----|-----|-----|----------|--------|---------------------|------------|----|----|----|-------------|
|   | l/min | gpm | bar | psi | ebhp     | rpm    | lbs                 | mm         | mm |    | \$ |             |
| <b>RTF 800 rpm N version 35mm Solid Shaft</b> |       |     |     |     |          |        |                     |            |    |    |    |             |
| RTF135N                                       | ● ○   | 135 | 36  | 103 | 1500     | 37.1   | 800                 | 192        | 40 | 48 | 3  | \$10,469.70 |
| RTF150.100N                                   | ○ ○   | 150 | 40  | 103 | 1500     | 41.2   | 800                 | 192        | 40 | 52 | 4  | \$10,469.70 |

### SPECIAL PARTS / KITS

| MOD                 | DESCRIPTION             | LIST PRICE |
|---------------------|-------------------------|------------|
| AR550040            | Valve Seat O-Ring       | \$1.59     |
| AR2820560           | Valve Seat Back-up Ring | \$8.96     |
| BRACKET-RTP/RTF/RTJ | Rail Kit 2"             | \$139.14   |
| AR645107            | Oil (SAE30) (1.07 gal)  | \$183.60   |

### REPAIR KITS

| MOD     | DESCRIPTION   | QTY | LIST PRICE |
|---------|---------------|-----|------------|
| AR42307 | Valves        | 6   | \$620.52   |
| AR42308 | Pistons       | 3   | \$1,918.91 |
| AR42310 | Water Seals   | 3   | \$805.58   |
| AR42309 | Oil Seals     | 8   | \$312.51   |
| AR42311 | Piston Guides | 3   | \$917.79   |



# HYDRAULIC PUMPS

RK  
XM  
RTX  
HYDRAULIC DRIVE UNITS  
HYDRAULIC MOTORS  
HYDRAULIC ACCESSORIES  
HYDRAULIC DRIVE KITS  
HYDRAULIC BASE KITS



*Hydraulic motor directly mounted to pump.*

*Extremely compact.*

*Great to use with pre-existing hydraulic systems.*

*Great application on truck and tractors with hydraulic systems.*

*No need for additional gas engine or electric motor.*



# RK - Hydraulic Drive



## Hydraulic

Hydraulic Drive Pump with Mounting Rails and Hydraulic Motor

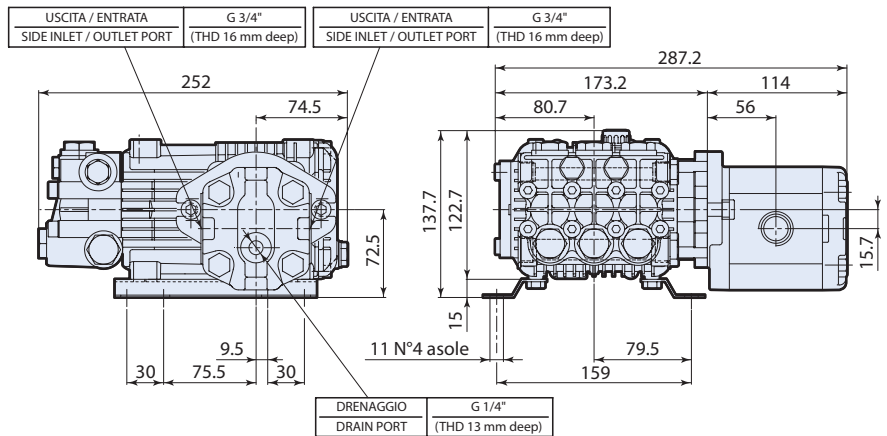
**Motor - Sauer Danfoss**

Inlet and Outlet SAE-12

Casedrain SAE-6

**Pump -**

1/2" F Inlet and 3/8" F Outlet



● brass head



○ aluminum connecting- rods

| MOD               | PUMP  |      |     |     | MOTOR |     |     |     | LIST PRICE |            |
|-------------------|-------|------|-----|-----|-------|-----|-----|-----|------------|------------|
|                   | l/min | gpm  | bar | psi | l/min | gpm | bar | psi |            |            |
| <b>RK 1450rpm</b> |       |      |     |     |       |     |     |     |            |            |
| HYD-RK1520        | ● ○   | 15.1 | 4   | 206 | 3000  | 29  | 7.5 | 175 | 2500       | \$1,982.99 |
| HYD-RK2115        | ● ○   | 21   | 5.5 | 150 | 2200  | 29  | 7.7 | 178 | 2500       | \$1,982.99 |

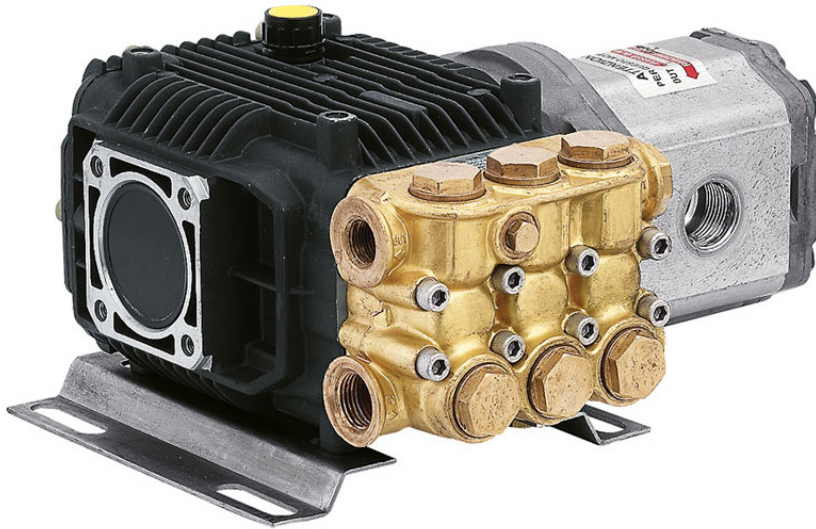
## SPECIAL PARTS / KITS

| MOD     | DESCRIPTION                     | LIST PRICE |
|---------|---------------------------------|------------|
| AR26472 | Pump: HYD RK15.20 NPT Pump Only | \$927.03   |
| AR4769  | Motor/Hydraulic (RK/XM)         | \$870.08   |
| AR42167 | Oil Seal Kit Hydraulic Motor    | \$232.20   |





# XM - Hydraulic Drive



## Hydraulic

Hydraulic Drive Pump with Mounting Rails and Hydraulic Motor

**Motor - Sauer Danfoss**

3/4" Inlet and Outlet

**Pump -**

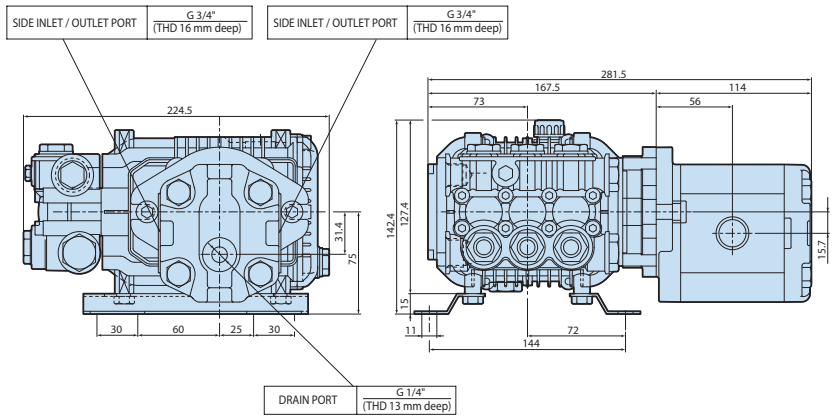
1/2" F Inlet and 3/8" F Outlet



● brass head



○ aluminum connecting rods



| MOD                | PUMP  |     |     |      | MOTOR |     |     |      | LIST PRICE |
|--------------------|-------|-----|-----|------|-------|-----|-----|------|------------|
|                    | l/min | gpm | bar | psi  | l/min | gpm | bar | psi  |            |
| <b>XM 1450 rpm</b> |       |     |     |      |       |     |     |      |            |
| HYD-XM1515 ● ○     | 15    | 4   | 206 | 3000 | 36    | 9.5 | 180 | 2610 | \$1,539.18 |

# RTX - Hydraulic Drive



## Hydraulic

Hydraulic Drive Pump

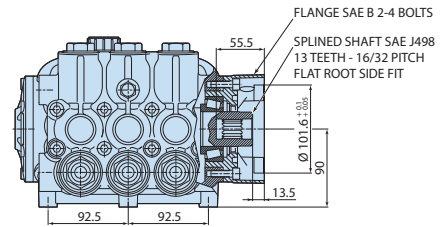
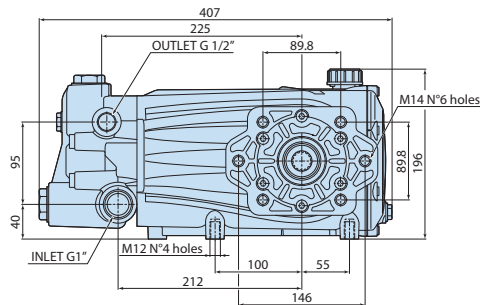
1" F Inlet  
1/2" F Outlet



● nickel plated brass head



○ aluminum connecting rods



| MOD  | MAX   |     | PUMP |     |      |      | GEAR 90 cc |     | GEAR 44 cc |     | NET | LIST PRICE |            |
|--|-------|-----|------|-----|------|------|------------|-----|------------|-----|-----|------------|------------|
|  | l/min | gpm | bar  | psi | kw   | hp   | l/min      | bar | l/min      | bar |     |            | lbs        |
| <b>RTX 1450 rpm Hollow splined shaft 13T + F56</b> |       |     |      |     |      |      |            |     |            |     |     |            |            |
| RTX50.300C   | ● ○   | 50  | 13.2 | 300 | 4350 | 28.3 | 38         | 142 | 146        | -   | -   | 72         | \$4,839.43 |
| RTX60.300C   | ○ ○   | 60  | 15.9 | 300 | 4350 | 33.6 | 45         | 142 | 176        | -   | -   | 72         | \$4,839.43 |
| RTX70.200C   | ● ○   | 70  | 18.5 | 200 | 2900 | 26.1 | 35         | 142 | 137        | 71  | 240 | 72         | \$4,839.43 |
| RTX70.200C-SX                                      | ○ ○   | 70  | 18.5 | 200 | 2900 | 26.1 | 35         | 142 | 137        | 71  | 240 | 72         | \$4,839.43 |
| RTX85.150C   | ● ○   | 85  | 22.5 | 150 | 2200 | 23.9 | 32         | 142 | 124        | 71  | 249 | 72         | \$4,839.43 |
| RTX100.120C  | ○ ○   | 100 | 26.4 | 120 | 1740 | 22   | 30         | -   | -          | -   | -   | 72         | \$4,839.43 |
| RTX150.100C  | ● ○   | 150 | 39.6 | 100 | 1450 | 28.3 | 38         | 142 | 146        | -   | -   | 77         | \$4,839.43 |



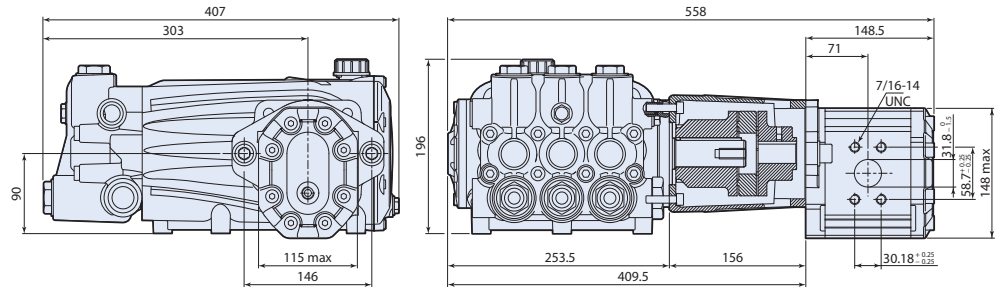
# RTX - Hydraulic Drive



## Hydraulic

Hydraulic Drive Pump with Flange, Mounting Rails and Hydraulic Motor

**Motor - Sauer Danfoss**  
SAE Code 61 (-20) 1-1/4"  
Casedrain SAE-6



● nickel plated brass head



○ aluminum connecting rods

| MOD  | INLET | OUTLET | PUMP   |      |      |     | MOTOR |     |      |     | LIST PRICE |            |
|--|-------|--------|--------|------|------|-----|-------|-----|------|-----|------------|------------|
|  |       |        | MAX    | MAX  | MAX  | MAX | MAX   | MAX | MAX  | MAX |            |            |
|  | in    | in     | l/min  | gpm  | bar  | psi | l/min | gpm | bar  | psi | \$         |            |
| <b>RTX 1450rpm Hydraulic Gear Motor 44c (2.69 cu.in.) - F50 Flange</b> |       |        |        |      |      |     |       |     |      |     |            |            |
| HYD-RTX30  | ● ○   | 1"     | 1 1/2" | 30.3 | 8.0  | 300 | 4350  | 70  | 18.5 | 150 | 2175       | \$6,196.83 |
| HYD-RTX50  | ○ ○   | 1"     | 1 1/2" | 45.4 | 12.0 | 200 | 2900  | 70  | 18.5 | 160 | 2320       | \$6,196.83 |
| HYD-RTX70  | ● ○   | 1"     | 1 1/2" | 64.4 | 17.0 | 180 | 2200  | 70  | 18.5 | 180 | 2610       | \$6,196.83 |
| HYD-RTX85  | ○ ○   | 1"     | 1 1/2" | 85.0 | 21.0 | 150 | 2200  | 70  | 18.5 | 225 | 3265       | \$6,846.68 |
| HYD-RTX100   | ● ○   | 1"     | 1 1/2" | 90.8 | 24.0 | 120 | 1740  | 70  | 18.5 | 210 | 3046       | \$6,846.68 |

# RTX - Hydraulic Drive



## Hydraulic

Hydraulic Drive Pump with Flange, Mounting Rails and Hydraulic Motor

**Motor - Sauer Danfoss**  
SAE Code 61 (-20) 1-1/4"  
Casedrain SAE-6



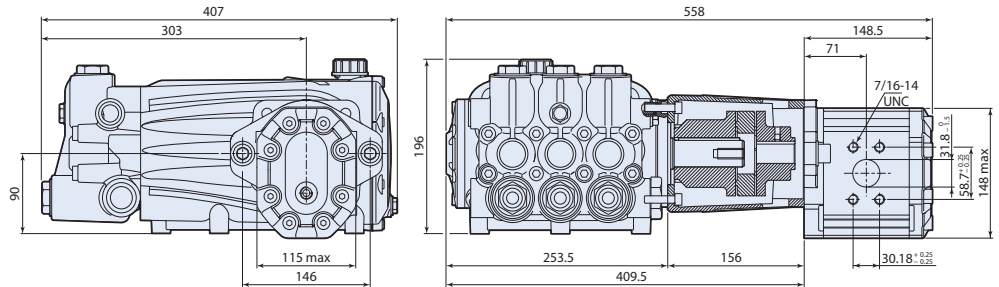
● nickel plated brass head



○ aluminum connecting rods



○ bronze connecting rods

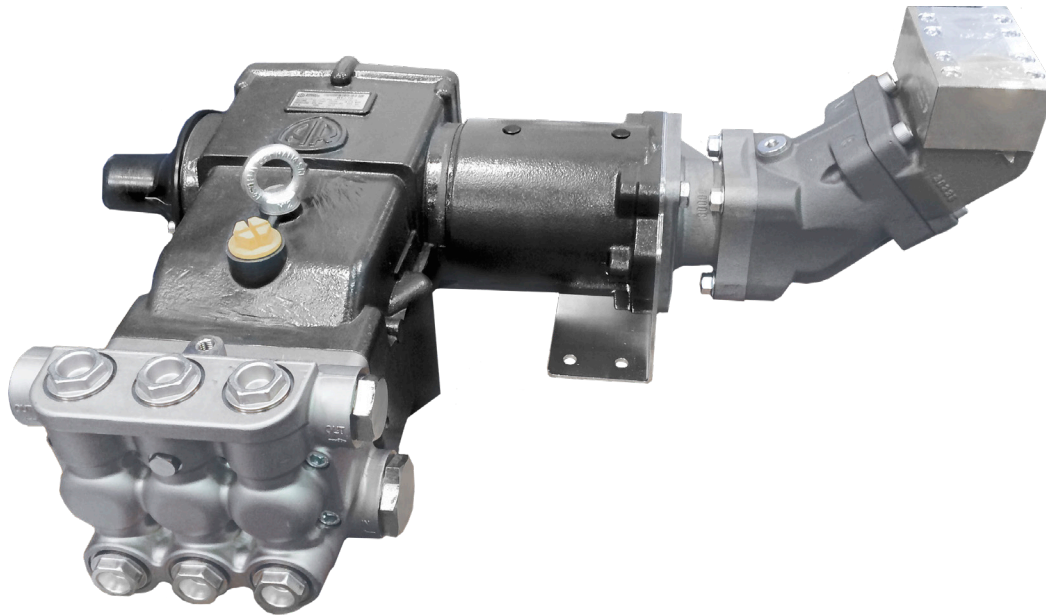


| MOD  | INLET | OUTLET | PUMP  |      |     |      | MOTOR |     |     |      | LIST PRICE |
|--|-------|--------|-------|------|-----|------|-------|-----|-----|------|------------|
|  |       |        | MAX   | MAX  | MAX | MAX  | MAX   | MAX | MAX | MAX  |            |
|  | in    | in     | l/min | gpm  | bar | psi  | l/min | gpm | bar | psi  | \$         |
| <b>RTX 1450rpm Hydraulic Gear Motor 90c (5.49 cu.in.) - F54 Flange</b> |       |        |       |      |     |      |       |     |     |      |            |
| HYD-RTX30.500P ● ○   | 1"    | 1 1/2" | 30    | 7.9  | 500 | 7250 | 737   | 36  | 135 | 1960 | \$8,321.46 |
| HYD-RTX50.300P ○ ○   | 1"    | 1 1/2" | 50    | 12.0 | 300 | 4350 | 137   | 36  | 135 | 1960 | \$7,377.18 |
| HYD-RTX60.300P ● ○   | 1"    | 1 1/2" | 60    | 14.0 | 300 | 4350 | 137   | 36  | 155 | 2250 | \$7,377.18 |
| HYD-RTX150.100P ○ ○  | 1"    | 1 1/2" | 150   | 39.5 | 100 | 1450 | 137   | 36  | 125 | 1825 | \$7,377.18 |





# RT - Hydraulic Drive



## Hydraulic

Hydraulic Drive Pump with F50 Flange, Mounting Rails and Hydraulic Motor

**Motor - Sauer Danfoss**

3/4" Inlet and Outlet

**Pump**

1" F Inlet and 1/2" F Outlet



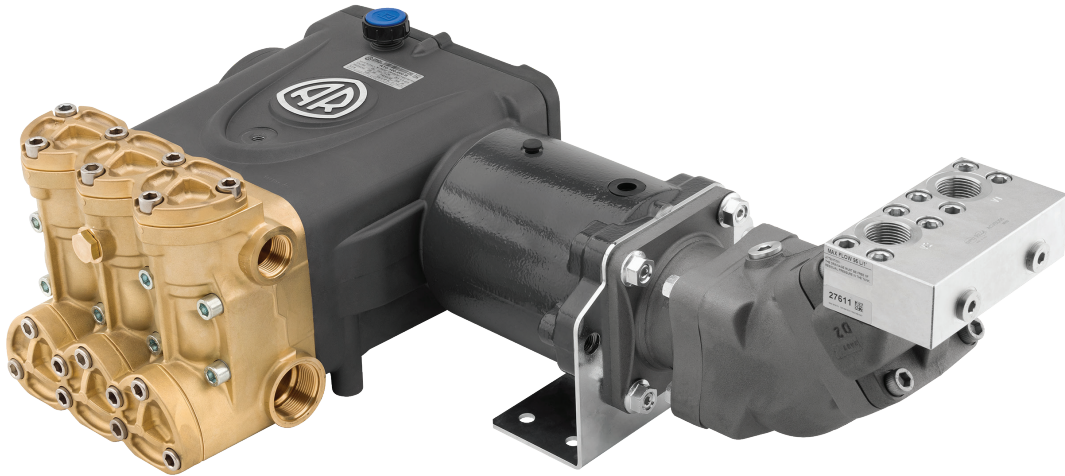
● nickel plated brass head



○ bronze connecting-rods

| MOD                | INLET      | OUTLET | PUMP  |      |     |      | MOTOR |      |     |      | LIST PRICE  |
|--------------------|------------|--------|-------|------|-----|------|-------|------|-----|------|-------------|
|                    |            |        | MAX   | MAX  | MAX | MAX  | MAX   | MAX  | MAX | MAX  |             |
|                    | in         | in     | l/min | gpm  | bar | psi  | l/min | gpm  | bar | psi  | \$          |
| <b>RTP 1000rpm</b> |            |        |       |      |     |      |       |      |     |      |             |
| HYD-RTP30N         | ● ○ 3/4"   | 1/2"   | 30    | 7.9  | 500 | 7250 | 88    | 23.5 | 230 | 3335 | \$19,381.33 |
| HYD-RTP38N         | ○ ○ 3/4"   | 1/2"   | 38    | 10   | 500 | 7250 | 88    | 23.5 | 280 | 4060 | \$19,381.33 |
| HYD-RTP30.60N      | ● ○ 3/4"   | 1/2"   | 30    | 7.9  | 600 | 8700 | 88    | 23.5 | 265 | 3842 | \$19,381.33 |
| <b>RTF 800rpm</b>  |            |        |       |      |     |      |       |      |     |      |             |
| HYD-RTF135N        | ● ○ 1 1/2" | 1"     | 135   | 36   | 103 | 1500 | 70.5  | 18.6 | 245 | 3555 | \$20,101.35 |
| HYD-RTF150N        | ○ ○ 1 1/2" | 1"     | 150   | 40   | 103 | 1500 | 70.5  | 18.6 | 275 | 3990 | \$20,106.07 |
| <b>RTJ 1000rpm</b> |            |        |       |      |     |      |       |      |     |      |             |
| HYD-RTJ70          | ● ○ 1 1/2" | 1"     | 70    | 18.5 | 275 | 4000 | 88    | 23.5 | 280 | 4060 | \$20,101.35 |

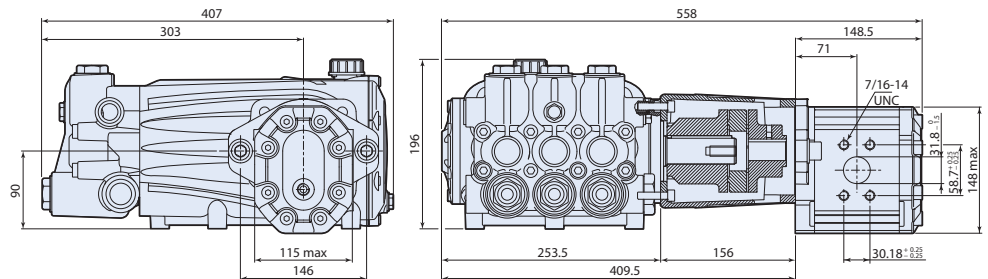
# RTD - Hydraulic Drive





## Hydraulic

Hydraulic Drive Pump with F55 Flange, Mounting Rails and Hydraulic Motor

**Motor - Piston Motor**  
1-1/16" - 12 UNF - Inlet/Outlet



-  brass head
-  bronze connecting rods

| MOD                | INLET  | OUTLET | PUMP  |      |     |      | MOTOR |     |     |      | LIST PRICE  |
|--------------------|--------|--------|-------|------|-----|------|-------|-----|-----|------|-------------|
|                    |        |        | l/min | gpm  | bar | psi  | l/min | gpm | bar | psi  |             |
| <b>RTD 1000rpm</b> |        |        |       |      |     |      |       |     |     |      |             |
| HYD-RTD100.200     | 1 1/2" | 1"     | 94.6  | 25.0 | 200 | 2900 | 95    | 25  | 241 | 3500 | \$14,376.65 |
| HYD-RTD130.160     | 1 1/2" | 1"     | 121.1 | 32.0 | 159 | 2300 | 95    | 25  | 260 | 3770 | \$14,376.65 |
| HYD-RTD160.130     | 1 1/2" | 1"     | 151.4 | 40.0 | 128 | 1850 | 95    | 25  | 260 | 3770 | \$14,376.65 |



# Hydraulic Motors

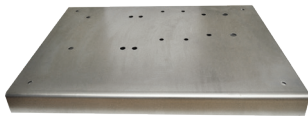


## Hydraulic

Hydraulic Drive Pump with F55 Flange, Mounting Rails and Hydraulic Motor

| MOD                     | C.I.D       | RATED GPM @ 1500 RPM | MAX RPM | RATED GPM @ MAX RPM | PEAK | CONT | INT  | CASE DRAIN 1/4" SAE O-RING PORT | SHAFT Ø | PORT Ø       | PORT | LIST PRICE |
|-------------------------|-------------|----------------------|---------|---------------------|------|------|------|---------------------------------|---------|--------------|------|------------|
|                         | cc's        | gpm                  | rpm     | gpm                 | psi  | psi  | psi  |                                 | mm      |              | sae  | \$         |
| <b>Hydraulic Motors</b> |             |                      |         |                     |      |      |      |                                 |         |              |      |            |
| HYDM083                 | 0.50 (8.3)  | 3.10                 | 4000    | 8.80                | 3915 | 3480 | 3500 | 6                               | 5/8"    | 1-1/16-12UNF | 12   | \$1,026.91 |
| HYDM116M                | 0.70 (11.5) | 4.33                 | 4000    | 12.12               | 3625 | 3190 | 3335 | 6                               | 5/8"    | 1-1/16-12UNF | 12   | \$861.66   |
| HYDM180M                | 1.09 (17.9) | 6.73                 | 2500    | 11.82               | 3260 | 2900 | 3045 | 6                               | 5/8"    | 1-1/16-12UNF | 12   | \$885.26   |
| HYDM282M                | 1.72 (28.2) | 10.50                | 1800    | 13.40               | 3118 | 2755 | 2900 | 6                               | 5/8"    | 1-1/16-12UNF | 12   | \$1,321.99 |
| HYDM329M                | 2.04 (33.4) | 12.68                | 3300    | 29.14               | 3625 | 3190 | 3335 | 6                               | 7/8"    | 1-5/16-12UN  | 16   | \$1,569.86 |
| HYDM390M                | 2.38 (39)   | 14.79                | 3000    | 30.77               | 3480 | 3045 | 3190 | 6                               | 7/8"    | 1-5/16-12UN  | 16   | \$1,605.28 |
| HYDM433M                | 4.33 (71)   | 26.68                | 2500    | 46.96               | 3118 | 2755 | 2900 | 6                               | 7/8"    | SAE Code 61  | 20   | \$2,219.05 |
| AR4769                  | 1.17 (19.2) | 7.7                  | 3500    | 17.74               | 2600 | 1450 | -    | 6                               | 5/8"    | 1-1/16-12UNF | 12   | \$870.08   |
| AR4770                  | 1.39 (22.8) | 9.5                  | 3500    | 21.00               | 2900 | 2600 | -    | 6                               | 5/8"    | 1-1/16-12UNF | 12   | \$1,770.53 |

# Hydraulic Accessories



**HYDB18 - HYDB19**

- Zinc Plated
- 10.9 Gauge
- Hole punched for rubber feet



**HYDB20**

- Painted Zinc Plated
- 10.9 Gauge
- Hole punched for rubber feet



**AR8367542**

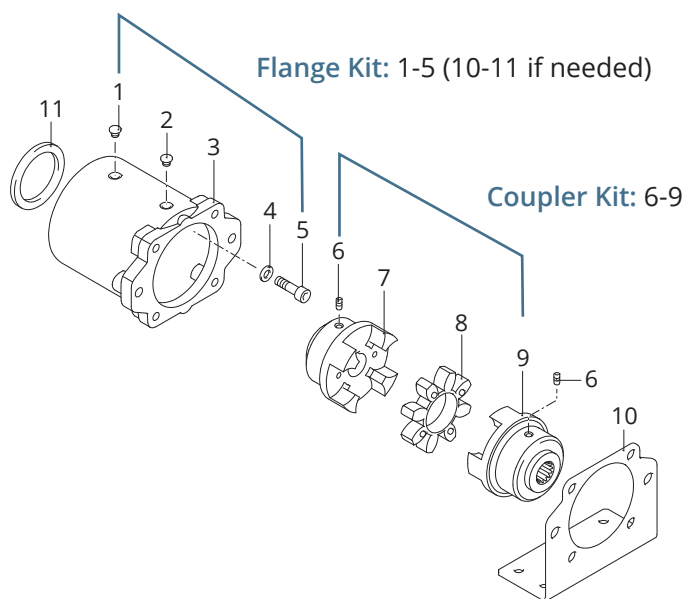
## BASE PLATES

| MOD    | DESCRIPTION        | LIST PRICE |
|--------|--------------------|------------|
| HYDB18 | L18 x W12 x H1-5/8 | \$278.57   |
| HYDB19 | L19 x W14 x H1-5/8 | \$214.35   |
| HYDB20 | Base Plate         | \$142.12   |

## RUBBER FEET

| MOD       | DESCRIPTION | LIST PRICE |
|-----------|-------------|------------|
| AR8367542 | Rubber Feet | \$7.20     |

# Hydraulic Drive Kits



## Hydraulic Drive Kits

Complete Housing Kit: 1-11  
 Flange Kit: 1-5 (10-11 if needed)  
 Coupler Kit: 6-9

| PUMP  | AR FLANGE | HYDRAULIC CATALOG | MOTOR COUPLER SPECS   | COMPLETE HOUSING KIT | FLANGE KIT | COUPLER KIT |
|---|-----------|-------------------|---|----------------------|------------|-------------|
| series  |           | page #            |   | part #               | part #     | part #      |
| <b>Bell Housing Close Couple Configurations</b> |           |                   |   |                      |            |             |
| CR  | F59       | 18                | Motor - Spline Shaft - SAE J744 C127-2, C127-4 (14T)                        | AR46291              | AR46291FL  | AR2829003   |
| CR  | F55       | 18                | Motor - Keyed Shaft - SAE J744 C127-2, C127-4, 31.75mm / 1.25"              | AR46120              | AR46120FL  | AR2829002   |
| RTD   | F59       | 18                | Motor - Spline Shaft - SAE J744 C127-2, C127-4 (14T)                        | AR46291              | AR46291FL  | AR2829003   |
| RTD   | F55       | 18                | Motor - Keyed Shaft - SAE J744 C127-2, C127-4, 31.75mm / 1.25"              | AR46120              | AR46120FL  | AR2829002   |
| RTX   | F54       | 15                | Motor - Spline Shaft - SAE J744, B101-2, B101-4, (13T)                      | AR46091              | AR46091FL  | AR3669007   |
| RTX   | F52       | 15                | Motor - Spline Shaft - SAE J744 B101-2, B101-4, (15T)                       | AR43780              | AR43780FL  | AR3669004   |
| RTX   | F50       | 15                | Motor - Keyed Shaft - SAE J744 B101-2, B101-4 - 22.22 mm / 0.874" / (7/8")  | AR41450              | AR41450FL  | AR3669000   |
| RTX   | F51       | 15                | Motor - Keyed Shaft - SAE J744 B101-2, B101-4, 25.40 mm / 1.0"              | AR41451              | AR41451FL  | AR3669001   |
| RTX   | F53       | 15                | Motor - Keyed Shaft - SAE J744 B101-2, B101-4, 28.58 mm / 1.57" / (1-9/16") | AR43781              | AR43781FL  | AR3669005   |
| XW  | F60       | 12                | Motor - Spline Shaft - SAE J744 B101-2, B101-4 (13T)                        | AR46513              | AR46513FL  | AR1949021   |
| XW  | F61       | 12                | Motor - Keyed Shaft - SAE J744 B101-2, B101-4, 22.22 mm / 0.874" / (7/8")   | AR46574              | AR46574FL  | AR3669012   |
| XW  | F58       | 12                | Motor - Keyed Shaft - SAE J744 B101-2, B101-4, 25.40 mm / 1.0"              | AR46246              | AR46246FL  | AR1949006   |
| RG  | F60       | 9                 | Motor - Spline Shaft - SAE J744 B101-2, B101-4 (13T)                        | AR46513              | AR46513FL  | AR1949021   |
| RG  | F61       | 9                 | Motor - Keyed Shaft - SAE J744 B101-2, B101-4, 22.22 mm / 0.874" / (7/8")   | AR46574              | AR46574FL  | AR3669012   |
| RG  | F58       | 9                 | Motor - Keyed Shaft - SAE J744 B101-2, B101-4, 25.40 mm / 1.0"              | AR46246              | AR46246FL  | AR1949006   |

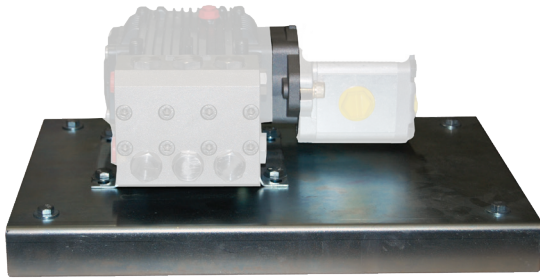
[Click here for the Hydraulic Catalog](#)

\* Please call for pricing





# Hydraulic Base Kits



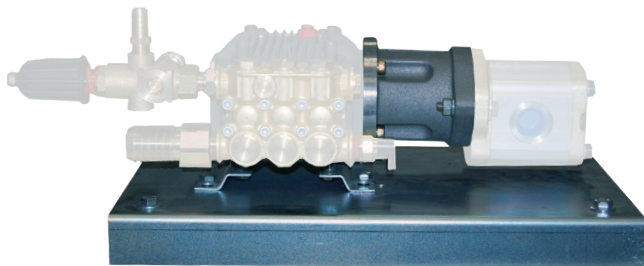
**HYDBK1**

## HYDBK1

| MOD    | DESCRIPTION        | LIST PRICE |
|--------|--------------------|------------|
| HYDBK1 | Hydraulic Base Kit | \$325.07   |

**Compatible with Hydraulic Motors: HYDM116M, HYDM083, HYDM180M, HYDM320, AR4769, AR4770**

- 12" x 18" x 1-5/8"
- Zinc Plated 10 Gauge Steel - Rubber Feet
- Pre-drilled for XT, XM, RK, RC & XW series pumps with standard mounting rails
- Closed couple hydraulic motor flange and spacers (if REQ for 5/8" hollow shaft (RC, XT & XM series))
- Misc. hardware
- Pump, motor and accessories sold separately.



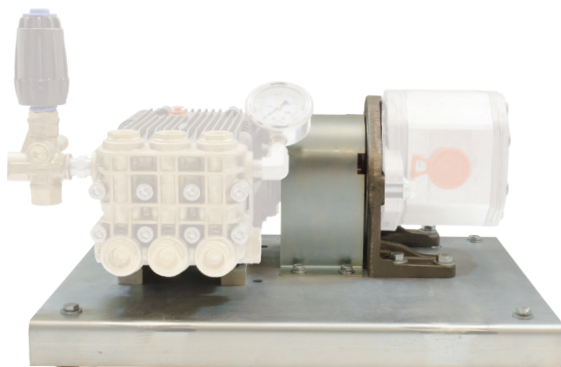
**HYDBK2**

## HYDBK2

| MOD    | DESCRIPTION        | LIST PRICE |
|--------|--------------------|------------|
| HYDBK2 | Hydraulic Base Kit | \$788.59   |

**Compatible with Hydraulic Motors: HYD116M, HYDM083, HYDM180M, AR4769 or AR4770**

- 12" x 18" x 1-5/8"
- Zinc Plated 10 Gauge Steel - Rubber Feet
- Pre-drilled for XM, RK & XW series pumps with standard mounting rails
- Flange Mount w/L095 flex coupler (XM & RK "NL" shaft only)
- Misc. hardware
- Pump, motor and accessories sold separately.



**HYDBK4**

## HYDBK4

| MOD    | DESCRIPTION        | LIST PRICE |
|--------|--------------------|------------|
| HYDBK4 | Hydraulic Base Kit | \$878.88   |

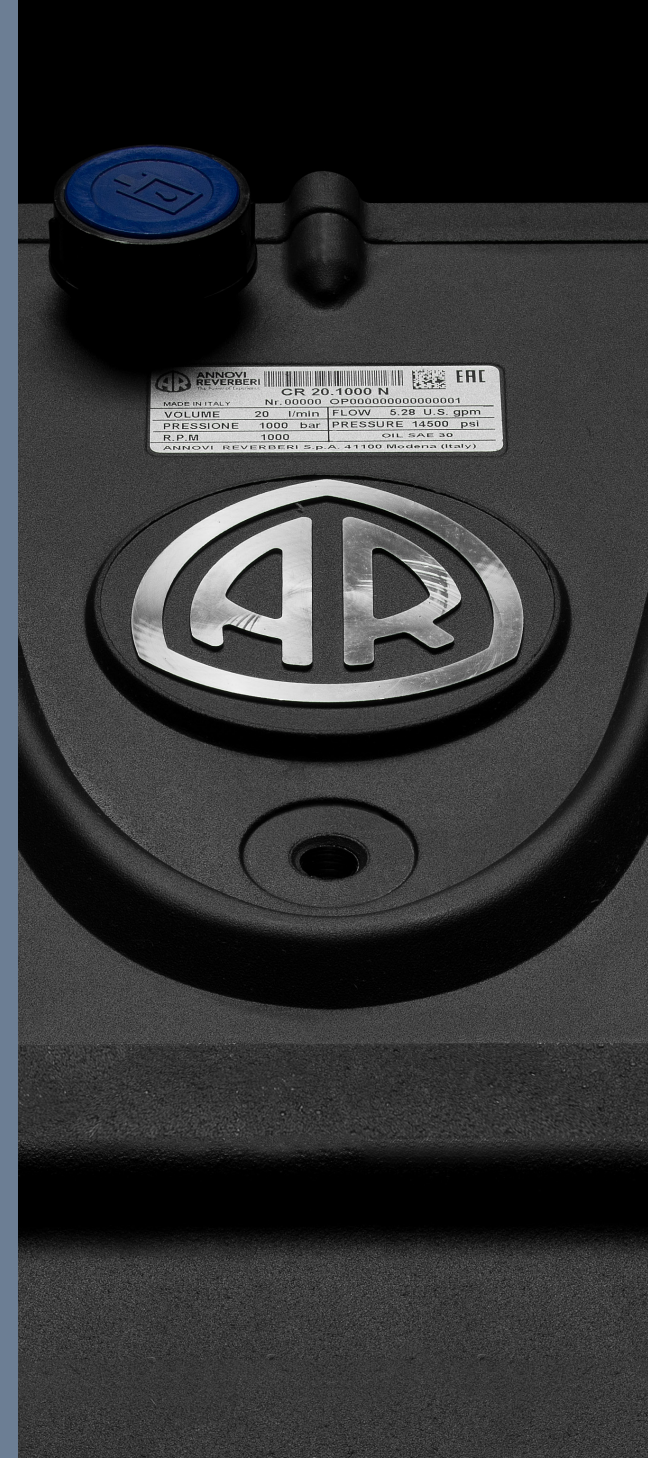
**Compatible with Hydraulic Motors: HYDM329M, HYDM390M or HYDM433M**

- 14" x 19" x 1-5/8"
- Zinc Plated 10 Gauge Steel with 2 welded rib supports - Rubber Feet
- L100 flex drive coupler
- Cast iron hydraulic motor mount
- Pre-drilled for XW & SXW series pumps
- Misc. hardware
- Pump, motor and accessories sold separately.

# STAINLESS STEEL

*CR SERIES Stainless Steel pump up to 14,500 psi.*

- *High resistance forged alloy steel* crankshaft.
- *Low friction Bronze* connecting rods.
- Crankcase and covers in *anodised die-cast aluminium alloy*.
- *Lateral and back side* oil sight glass.
- *Splash lubrication*.
- *Tungsten carbide* plungers.
- *Double* gasket sealing system.
- *Cooling system for the high pressure seals* for a longer life.
- Pump head in high *resistance stainless steel*.
- *Inox* suction/delivery valves with geometry designed to *reduce wear*.



|  |          |              |                    |
|--|----------|--------------|--------------------|
| ANNONI REVERBERI                             |          | CR 20.1000 N |                    |
| MADE IN ITALY                                |          | Nr. 000000   | CP0000000000000001 |
| VOLUME                                       | 20 l/min | FLOW         | 5.28 U.S. gpm      |
| PRESSIONE                                    | 1000 bar | PRESSURE     | 14500 psi          |
| R.P.M.                                       | 1000     | OIL          | SAE 30             |
| ANNONI REVERBERI S.p.A. 41100 Modena (Italy) |          |              |                    |

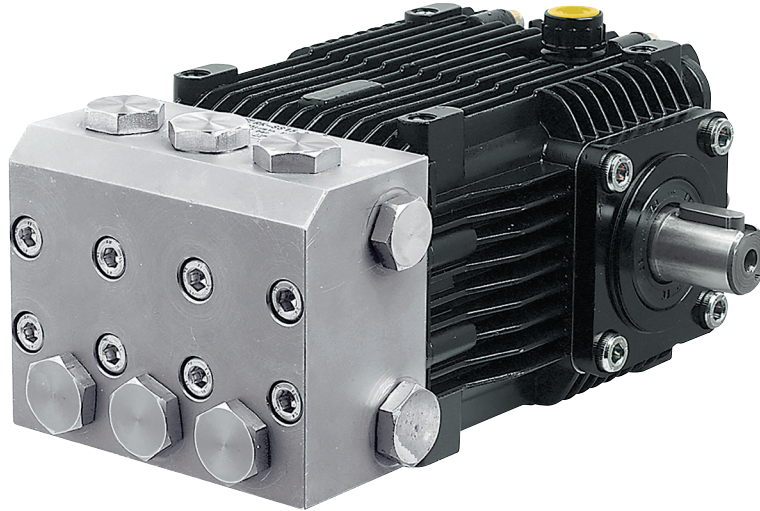
*Handbuilt in Italy*



# STAINLESS STEEL

XMA-SS  
JK-SS  
RK-SS  
RKA-SS  
XWL-SS

XWLA-SS  
STP-SS  
STPA-SS  
RTX-SS  
CR



*Stainless steel will hold up to many chemicals that attack brass, aluminum, and nickel.*

*Seals in all stainless pumps are Viton.*

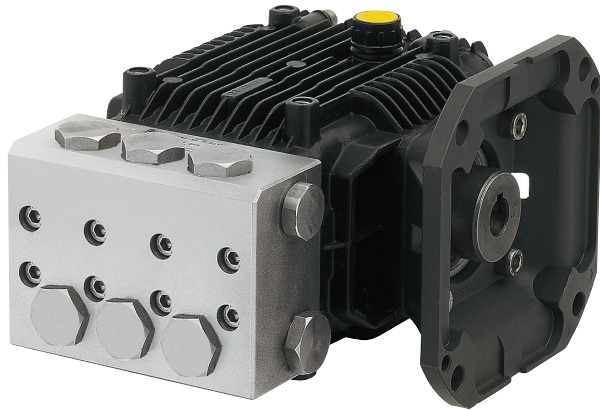
*Holds up to salt water.*

*Great for R/O systems and deionized water.*



# XMA-SS-F33

## HOLLOW SHAFT PUMP



### Stainless Steel

140° F - Max Water Temp  
 1/2" F - Inlet Thread  
 3/8" F - Discharge Thread  
 14.5 oz - Oil Capacity



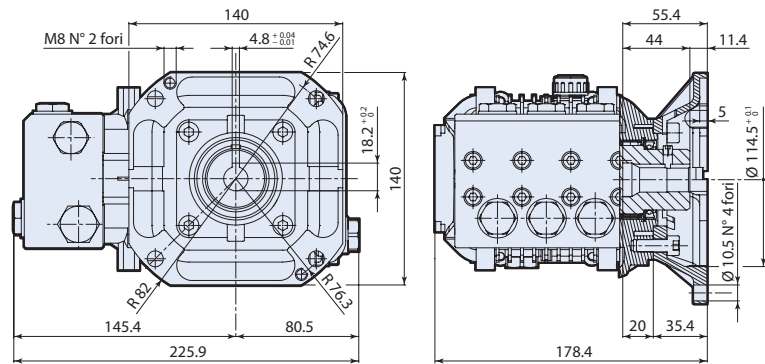
● AISI 316L pump head



○ bronze connecting rods



○ viton o-rings



## E version + F33

| MOD  | MAX   | MAX |     |      | BORE DIA | STROKE | CRANKSHAFT ID STAMP | LIST PRICE |      |    |            |
|--|-------|-----|-----|------|----------|--------|---------------------|------------|------|----|------------|
|  | l/min | gpm | bar | psi  | mm       | mm     |                     | \$         |      |    |            |
| <b>XMA-SS 1750rpm E version 5/8" with Nema 56-C Flange</b> |       |     |     |      |          |        |                     |            |      |    |            |
| XMASS0.5G15E-F33 ●●○                                       | 1.9   | 0.5 | 140 | 2000 | 0.68     | 1750   | 17                  | 15         | 2.2  | 13 | \$2,950.88 |
| XMASS18G15E-F33 ●●○  | 6.8   | 1.8 | 140 | 2000 | 2.47     | 1750   | 17                  | 15         | 8.2  | 7  | \$2,950.88 |
| XMASS25G15E-F33 ●●○  | 9.5   | 2.5 | 140 | 2000 | 3.43     | 1750   | 17                  | 15         | 10.6 | 5  | \$2,950.88 |
| XMASS3G15E-F33 ●●○   | 11.4  | 3   | 140 | 2000 | 4.12     | 1750   | 17                  | 15         | 13.2 | 3  | \$2,950.88 |
| XMASS35G15E-F33 ●●○  | 13.2  | 3.5 | 140 | 2000 | 4.80     | 1750   | 17                  | 18         | 10.6 | 5  | \$2,950.88 |
| XMASS42G20E-F33 ●●○  | 15.9  | 4.2 | 140 | 2000 | 5.77     | 1750   | 17                  | 18         | 12.7 | 4  | \$2,950.88 |

### SPECIAL PARTS / KITS

| MOD     | DESCRIPTION | LIST PRICE |
|---------|-------------|------------|
| AR64516 | Oil (16 oz) | \$15.80    |

### REPAIR KITS

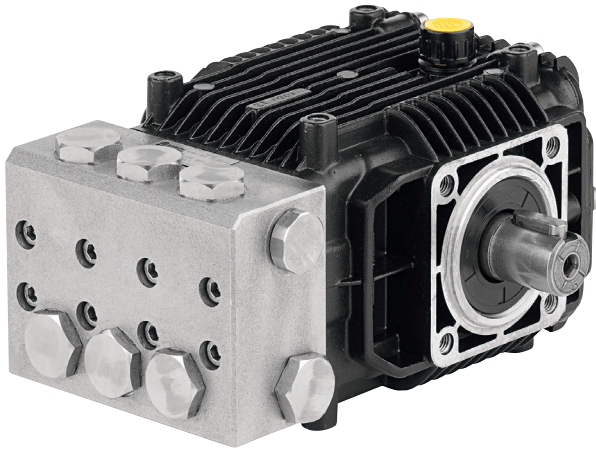
| MOD    | DESCRIPTION   | QTY | LIST PRICE |
|--------|---------------|-----|------------|
| AR2631 | Valves        | 6   | \$106.37   |
| AR2645 | Pistons       | 3   | \$245.47   |
| AR2644 | Water Seals   | 3   | \$142.02   |
| AR2787 | Oil Seals     | 6   | \$59.70    |
| AR2740 | Support Rings | 3   | \$13.54    |








# XMA-SS

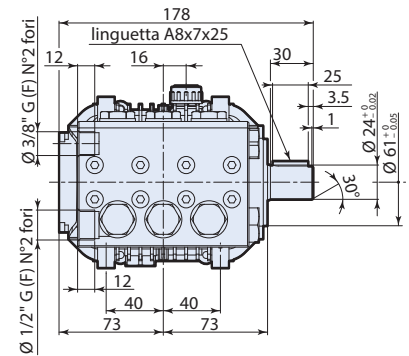
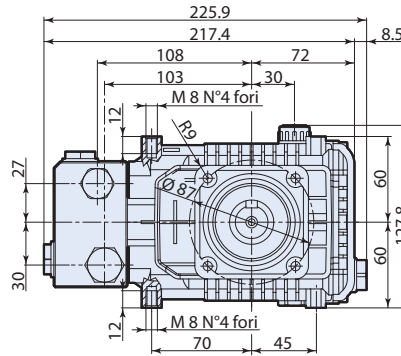
## SOLID SHAFT PUMP



### Stainless Steel

140° F - Max Water Temp  
 1/2" F - Inlet Thread  
 3/8" F - Discharge Thread  
 14.5 oz - Oil Capacity

-  ● **AISI 316L pump head**
-  ○ **aluminum connecting rods**
-  ○ **viton o-rings**



### N version

| MOD |  MAX |  MAX |  |  | BORE DIA | STROKE | CRANKSHAFT ID STAMP | LIST PRICE |    |  |    |
|-----|---|---|---|---|----------|--------|---------------------|------------|----|--|----|
|     | l/min   | gpm   | bar   | psi   | ebhp     | rpm    | lbs                 | mm         | mm |  | \$ |

#### XMA-SS 1750rpm N version 24mm Solid Shaft

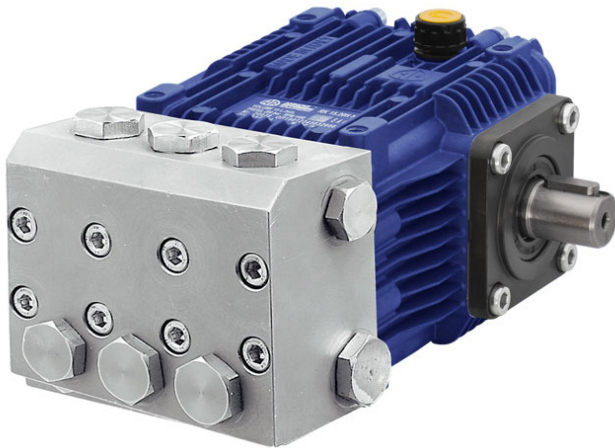
|            |     |      |   |     |      |      |      |    |    |      |   |            |
|------------|-----|------|---|-----|------|------|------|----|----|------|---|------------|
| XMASS3G10N | ●○○ | 11.4 | 3 | 140 | 2000 | 4.12 | 1750 | 17 | 15 | 13.2 | 3 | \$2,950.88 |
|------------|-----|------|---|-----|------|------|------|----|----|------|---|------------|

### SPECIAL PARTS / KITS

| MOD     | DESCRIPTION                         | LIST PRICE |
|---------|-------------------------------------|------------|
| AR2729  | Rail Kit 5/8" (2 rails & 4 bolts)   | \$41.08    |
| AR2633  | Rail Kit 1-3/4" (2 rails & 4 bolts) | \$35.18    |
| AR2633H | Rail Kit 2-5/8" (2 rails & 4 bolts) | \$46.40    |
| AR64516 | Oil (16 oz)                         | \$15.80    |

### REPAIR KITS

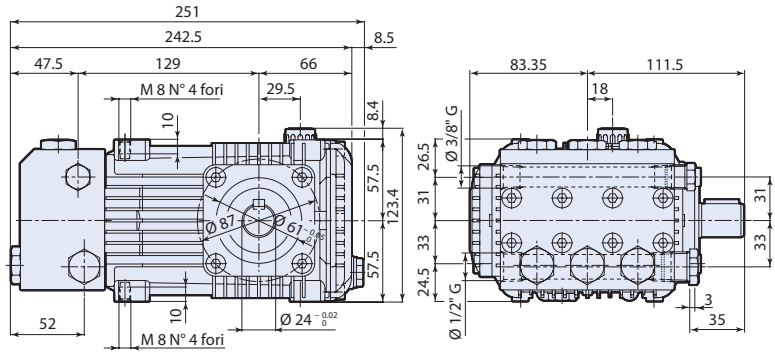
| MOD    | DESCRIPTION   | QTY | LIST PRICE |
|--------|---------------|-----|------------|
| AR2631 | Valves        | 6   | \$106.37   |
| AR2544 | Pistons       | 3   | \$179.97   |
| AR2644 | Water Seals   | 3   | \$142.02   |
| AR2786 | Oil Seals     | 6   | \$48.32    |
| AR2740 | Support Rings | 3   | \$13.54    |







### Stainless Steel

140° F - Max Water Temp  
 1/2" F - Inlet Thread  
 3/8" F - Discharge Thread  
 14.5 oz - Oil Capacity

-  **AISI 316L pump head**
-  **bronze connecting-rods**
-  **viton o-rings**



## N version

| MOD   |  MAX |  MAX |  |  | BORE DIA | STROKE | CRANKSHAFT ID STAMP | LIST PRICE |    |      |    |            |
|---|---|---|---|---|----------|--------|---------------------|------------|----|------|----|------------|
|   | l/min   | gpm   | bar   | psi   | ebhp     | rpm    | lbs                 | mm         | mm |      | \$ |            |
| <b>JK-SS 1450rpm N version 24mm Solid Shaft</b> |   |   |   |   |          |        |                     |            |    |      |    |            |
| JK-SS1515N                                      | ●○○   | 15  | 4.0   | 150   | 2200     | 6.0    | 1450                | 22         | 18 | 13.8 | 2  | \$4,058.90 |
| JK-SS2115N                                      | ●○○   | 21  | 5.5   | 150   | 2200     | 8.3    | 1450                | 22         | 22 | 13   | 13 | \$4,210.24 |

### SPECIAL PARTS / KITS

| MOD     | DESCRIPTION | LIST PRICE |
|---------|-------------|------------|
| AR64516 | Oil (16 oz) | \$15.80    |

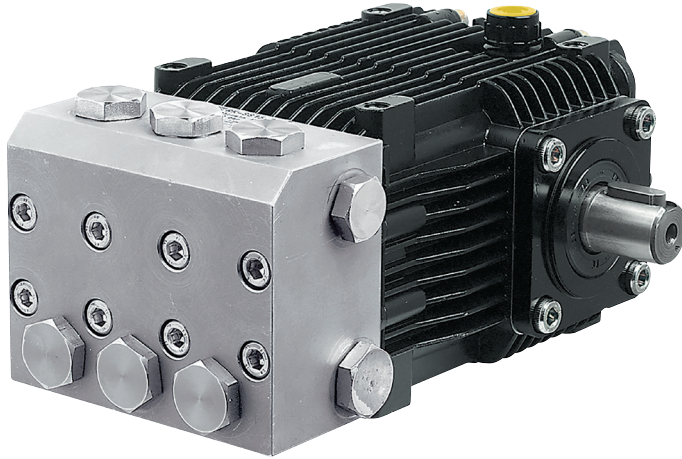
### REPAIR KITS

| MOD     | DESCRIPTION        | QTY | LIST PRICE |
|---------|--------------------|-----|------------|
| AR2275  | Valves             | 6   | \$150.88   |
| AR43402 | Pistons Ø 18       | 3   | \$98.14    |
| AR43404 | Water Seals Ø 18   | 3   | \$39.55    |
| AR43403 | Oil Seals          | 4   | \$28.72    |
| AR43405 | Support Rings Ø 18 | 3   | \$19.19    |
| AR46110 | Pistons Ø 22       | 3   | \$156.66   |
| AR46113 | Water Seals Ø 22   | 3   | \$73.10    |
| AR46115 | Support Rings Ø 22 | 3   | \$26.11    |



# RK-SS

## SOLID SHAFT PUMP



### Stainless Steel

140° F - Max Water Temp  
 1/2" F - Inlet Thread  
 3/8" F - Discharge Thread  
 15 oz - Oil Capacity



● AISI 316L pump head



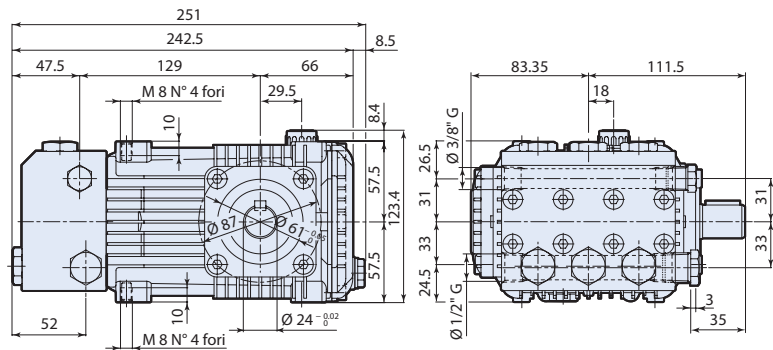
○ bronze connecting rods



○ aluminum connecting rods



○ viton o-rings



### N version

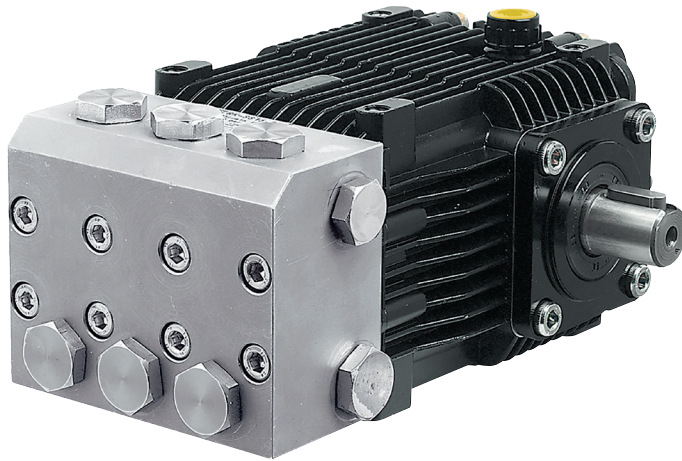
| MOD   | MAX   | MAX  |     |      | BORE DIA | STROKE | CRANKSHAFT ID STAMP | LIST PRICE |
|---|-------|------|-----|------|----------|--------|---------------------|------------|
|   | l/min | gpm  | bar | psi  | mm       | mm     |                     | \$         |
| <b>RK-SS 1450rpm N version 24mm Solid Shaft</b> |       |      |     |      |          |        |                     |            |
| RKSS11.11N ● ○ ○                                | 11    | 2.9  | 200 | 3000 | 6.0      | 1450   | 22                  | \$3,493.83 |
| RKSS13.17N ● ○ ○                                | 13    | 3.43 | 200 | 3000 | 7.1      | 1450   | 22                  | \$3,651.53 |
| RKSS15.15N ● ○ ○                                | 15    | 3.96 | 200 | 3000 | 8.1      | 1450   | 22                  | \$3,493.83 |
| RKSS21.15N ● ○ ○                                | 21    | 5.55 | 150 | 2200 | 8.3      | 1450   | 22                  | \$3,493.83 |

### SPECIAL PARTS / KITS

| MOD     | DESCRIPTION                         | LIST PRICE |
|---------|-------------------------------------|------------|
| AR2729  | Rail Kit 5/8" (2 rails & 4 bolts)   | \$41.08    |
| AR2633  | Rail Kit 1-3/4" (2 rails & 4 bolts) | \$35.18    |
| AR2633H | Rail Kit 2-5/8" (2 rails & 4 bolts) | \$46.40    |
| AR64516 | Oil (16 oz)                         | \$15.80    |

### REPAIR KITS

| MOD    | DESCRIPTION            | QTY | LIST PRICE |
|--------|------------------------|-----|------------|
| AR2514 | Valves                 | 6   | \$135.22   |
| AR2552 | Pistons ø 18           | 3   | \$364.68   |
| AR2526 | Pistons ø 22           | 3   | \$364.68   |
| AR2516 | Water Seals ø 18 Viton | 3   | \$212.58   |
| AR2527 | Water Seals ø 22 Viton | 3   | \$307.93   |
| AR2528 | Oil Seals              | 6   | \$57.91    |
| AR1829 | Support Rings ø 18     | 3   | \$18.41    |
| AR1816 | Support Rings ø 22     | 3   | \$12.00    |



### Stainless Steel

140° F - Max Water Temp  
 1/2" F - Inlet Thread  
 3/8" F - Discharge Thread  
 15 oz - Oil Capacity



● AISI 316L pump head



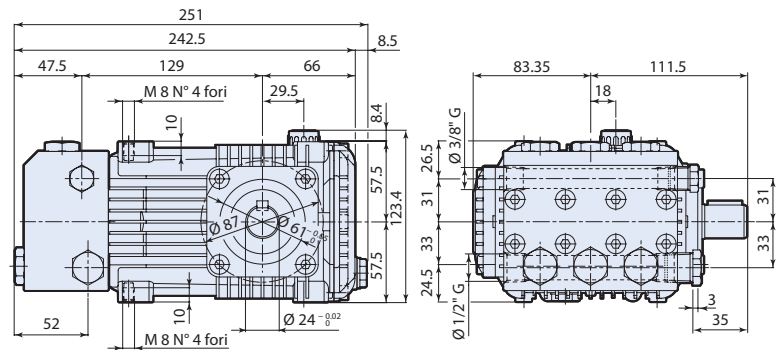
○ bronze connecting rods



○ aluminum connecting rods



○ viton o-rings



### N version

| MOD  | MAX   | MAX |     |      | BORE DIA | STROKE | CRANKSHAFT ID STAMP | LIST PRICE |
|--|-------|-----|-----|------|----------|--------|---------------------|------------|
|  | l/min | gpm | bar | psi  | ebhp     | rpm    | lbs                 | mm         |
| <b>RKA-SS 1750rpm N version 24mm Solid Shaft</b> |       |     |     |      |          |        |                     |            |
| RKASS2.3G15N ● ○ ○                               | 8.7   | 2.3 | 200 | 3000 | 4.7      | 1750   | 22                  | 18         |
| RKASS3G15N ● ○ ○                                 | 11.4  | 3   | 200 | 3000 | 6.2      | 1750   | 22                  | 18         |
| RKASS3.6G12N ● ○ ○                               | 13.6  | 3.6 | 200 | 3000 | 7.4      | 1750   | 22                  | 18         |
| RKASS4.2G15N ● ○ ○                               | 15.9  | 4.2 | 200 | 3000 | 8.6      | 1750   | 22                  | 18         |
| RKASS7G22N ● ○ ○                                 | 22    | 7   | 150 | 2200 | 10.6     | 1750   | 22                  | 22         |

### SPECIAL PARTS / KITS

| MOD     | DESCRIPTION                         | LIST PRICE |
|---------|-------------------------------------|------------|
| AR2729  | Rail Kit 5/8" (2 rails & 4 bolts)   | \$41.08    |
| AR2633  | Rail Kit 1-3/4" (2 rails & 4 bolts) | \$35.18    |
| AR2633H | Rail Kit 2-5/8" (2 rails & 4 bolts) | \$46.40    |
| AR64516 | Oil (16 oz)                         | \$15.80    |

### REPAIR KITS

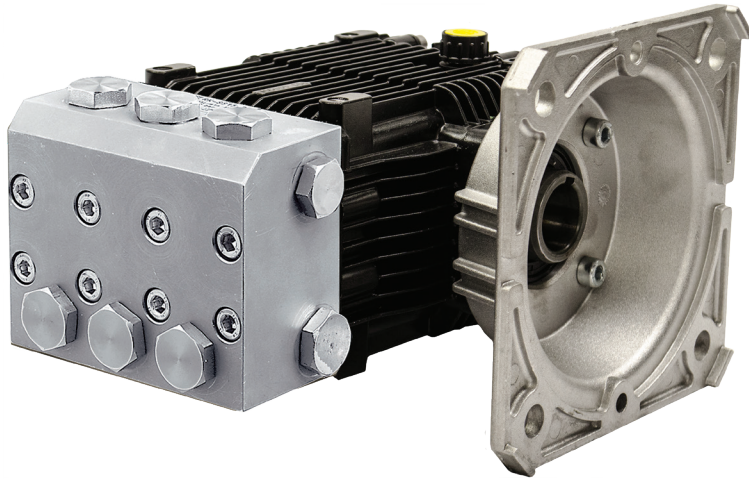
| MOD    | DESCRIPTION            | QTY | LIST PRICE |
|--------|------------------------|-----|------------|
| AR2514 | Valves                 | 6   | \$135.22   |
| AR2552 | Pistons ø 18           | 3   | \$364.68   |
| AR2516 | Water Seals ø 18 Viton | 3   | \$212.58   |
| AR2528 | Oil Seals              | 6   | \$57.91    |
| AR1829 | Support Rings ø 18     | 3   | \$18.41    |





# RKA-SS-F17

## HOLLOW SHAFT PUMP



### Stainless Steel

140° F - Max Water Temp  
 1/2" F - Inlet Thread  
 3/8" F - Discharge Thread  
 15 oz - Oil Capacity



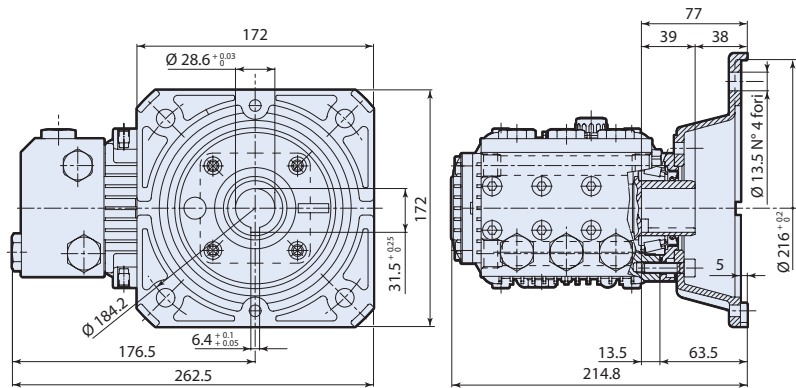
● AISI 316L  
 pump  
 head



○ bronze  
 connecting-  
 rods



○ viton  
 o-rings



## E version + F17

| MOD   | MAX   | MAX  | MAX |     | NET  | BORE DIA | STROKE | CRANKSHAFT ID STAMP | LIST PRICE |      |    |            |
|---|-------|------|-----|-----|------|----------|--------|---------------------|------------|------|----|------------|
|   | l/min | gpm  | bar | psi | ebhp | rpm      | lbs    | mm                  | mm         | \$   |    |            |
| <b>RKA-SS 1750rpm E version 1-1/8" with Nema 182-184 Flange</b> |       |      |     |     |      |          |        |                     |            |      |    |            |
| RKASS23G15E-F17   | ● ○ ○ | 8.7  | 2.3 | 200 | 3000 | 4.7      | 1750   | 22                  | 18         | 7    | 8  | \$3,552.85 |
| RKASS3G15E-F17  | ● ○ ○ | 11.4 | 3   | 200 | 3000 | 6.2      | 1750   | 22                  | 18         | 9.8  | 6  | \$3,552.85 |
| RKASS36G12E-F17   | ● ○ ○ | 13.6 | 3.6 | 200 | 3000 | 7.4      | 1750   | 22                  | 18         | 11.2 | 10 | \$3,552.85 |
| RKASS42G15E-F17   | ● ○ ○ | 15.9 | 4.2 | 200 | 3000 | 8.6      | 1750   | 22                  | 18         | 12   | 4  | \$3,552.85 |
| RKASS7G22E-F17  | ● ○ ○ | 22   | 7   | 150 | 2200 | 10.6     | 1750   | 22                  | 22         | 14.6 | 1  | \$3,552.85 |

### SPECIAL PARTS / KITS

| MOD     | DESCRIPTION | LIST PRICE |
|---------|-------------|------------|
| AR64516 | Oil (16 oz) | \$15.80    |

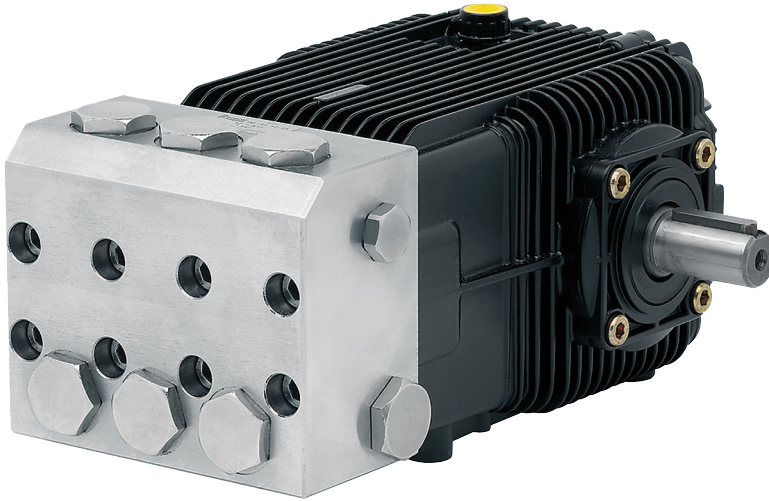
### REPAIR KITS

| MOD    | DESCRIPTION                      | QTY | LIST PRICE |
|--------|----------------------------------|-----|------------|
| AR2514 | Valves                           | 6   | \$135.22   |
| AR2552 | Pistons $\text{Ø } 18$           | 3   | \$364.68   |
| AR2516 | Water Seals $\text{Ø } 18$ Viton | 3   | \$212.58   |
| AR2528 | Oil Seals                        | 6   | \$57.91    |
| AR1829 | Support Rings $\text{Ø } 18$     | 3   | \$18.41    |






# XWL-SS

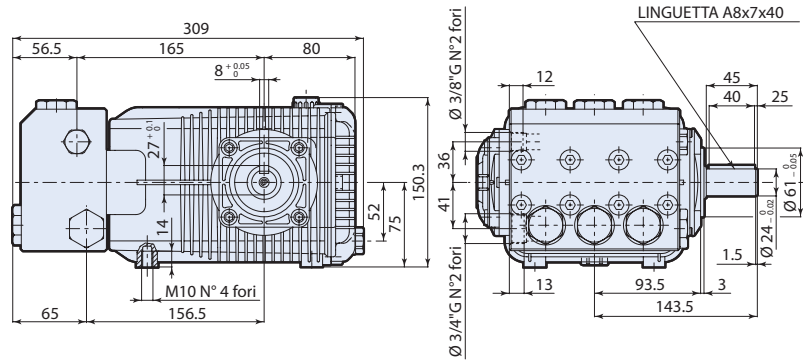
## SOLID SHAFT PUMP



### Stainless Steel

140° F - Max Water Temp  
 3/4" F - Inlet Thread  
 3/8" F - Discharge Thread  
 32 oz - Oil Capacity

-  ● AISI 316L pump head
-  ○ aluminum connecting-rods
-  ○ viton o-rings



### N version

| MOD |  MAX |  MAX |  |  | BORE DIA | STROKE | CRANKSHAFT ID STAMP | LIST PRICE |
|-----|---|---|---|---|----------|--------|---------------------|------------|
|     | l/min   | gpm   | bar   | psi   | ebhp     | rpm    | lbs                 | mm         |

| XWL-SS 1450rpm N version 24mm Solid Shaft |       |    |      |     |      |      |      |    |    |      |    |            |
|---|-------|----|------|-----|------|------|------|----|----|------|----|------------|
| XWLSS42.15N                               | ● ○ ○ | 42 | 11   | 150 | 2200 | 16.6 | 1450 | 36 | 28 | 17.2 | 2  | \$5,594.86 |
| XWLSS50.15N                               | ● ○ ○ | 50 | 13.2 | 150 | 2200 | 20.0 | 1450 | 37 | 28 | 19.4 | 10 | \$5,594.86 |
| XWLSS50.20N                               | ● ○   | 50 | 13.2 | 200 | 3000 | 27.1 | 1450 | 37 | 28 | 19.4 | 10 | \$5,852.36 |

### SPECIAL PARTS / KITS

| MOD           | DESCRIPTION                         | LIST PRICE |
|---------------|-------------------------------------|------------|
| AR2729        | Rail Kit 5/8" (2 rails & 4 bolts)   | \$41.08    |
| U-Bracket/Kit | Rail Kit 1-1/2" (2 rails & 4 bolts) | \$76.14    |
| AR64516       | Oil (16 oz)                         | \$15.80    |

### REPAIR KITS

| MOD    | DESCRIPTION  | QTY | LIST PRICE |
|--------|--------------|-----|------------|
| AR2162 | Valves       | 6   | \$189.84   |
| AR2163 | Pistons      | 3   | \$352.29   |
| AR2164 | Water Seals  | 3   | \$470.12   |
| AR2781 | Oil Seals    | 6   | \$73.50    |
| AR2165 | Piston Guide | 3   | \$1,070.67 |

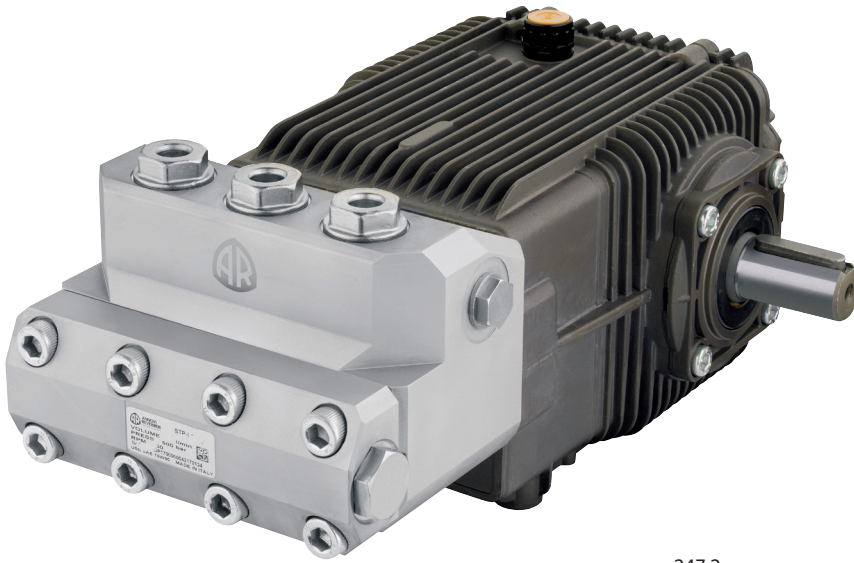






# STP-SS

## SOLID SHAFT PUMP



### Stainless Steel

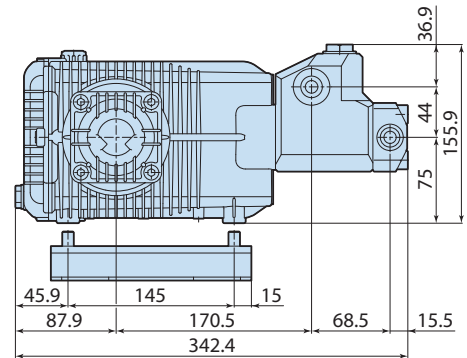
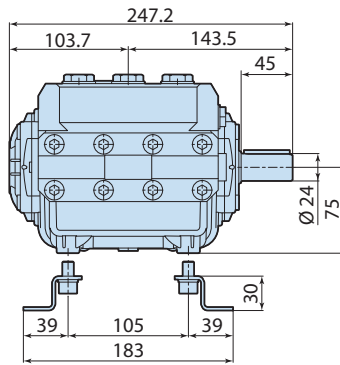
140° F - Max Water Temp  
 1/2" F - Inlet Thread  
 3/8" F - Discharge Thread  
 32 oz - Oil Capacity



● AISI 316L  
 pump  
 head



○ aluminum  
 connecting-  
 rods



### N version

| MOD | MAX   | MAX |     |     | BORE DIA | STROKE | CRANKSHAFT ID STAMP | LIST PRICE |
|-----|-------|-----|-----|-----|----------|--------|---------------------|------------|
|     | l/min | gpm | bar | psi | ebhp     | rpm    | lbs                 | mm         |

| STP-SS 1450rpm N version 24mm Solid Shaft |     |    |      |     |      |      |      |    |    |      |    |            |
|---|-----|----|------|-----|------|------|------|----|----|------|----|------------|
| STP-SS1550N                               | ● ○ | 15 | 3.96 | 500 | 7250 | 19.7 | 1450 | 41 | 18 | 15   | 8  | \$6,964.06 |
| STP-SS2050N                               | ● ○ | 20 | 5.3  | 500 | 7250 | 26.3 | 1450 | 41 | 18 | 18.8 | 12 | \$6,964.06 |
| STP-SS2250N                               | ● ○ | 22 | 5.8  | 500 | 7250 | 28.8 | 1450 | 41 | 18 | 21   | 7  | \$4,131.23 |

### SPECIAL PARTS / KITS

| MOD           | DESCRIPTION                         | LIST PRICE |
|---------------|-------------------------------------|------------|
| AR2748        | Rail Kit 1-1/4" (2 rails & 4 bolts) | \$26.67    |
| AR2748H       | Rail Kit 2-1/2" (2 rails & 4 bolts) | \$74.62    |
| U-Bracket/Kit | Rail Kit 1-1/2" (2 rails & 4 bolts) | \$76.14    |
| AR64516       | Oil (16 oz)                         | \$15.80    |

### REPAIR KITS

| MOD     | DESCRIPTION  | QTY | LIST PRICE |
|---------|--------------|-----|------------|
| AR43408 | Valves       | 12  | \$142.93   |
| AR2548  | Pistons      | 3   | \$261.53   |
| AR2874  | Water Seals  | 9   | \$200.96   |
| AR2873  | Oil Seals    | 7   | \$53.95    |
| AR42120 | Piston Guide | 6   | \$160.68   |

# STPA-SS

## SOLID SHAFT PUMP



### Stainless Steel

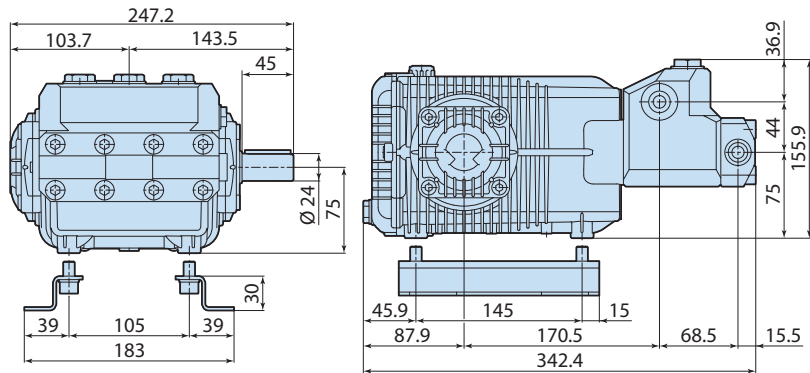
140° F - Max Water Temp  
 1/2" F - Inlet Thread  
 3/8" F - Discharge Thread  
 32 oz - Oil Capacity



● AISI 316L pump head



○ aluminum connecting rods



## N version

| MOD | MAX   | MAX |     |     | BORE DIA | STROKE | CRANKSHAFT ID STAMP | LIST PRICE |
|-----|-------|-----|-----|-----|----------|--------|---------------------|------------|
|     | l/min | gpm | bar | psi | ebhp     | rpm    | lbs                 | mm         |

### STPA-SS 1750rpm N version 24mm Solid Shaft

|                   |      |     |     |      |      |      |    |    |      |   |            |
|-------------------|------|-----|-----|------|------|------|----|----|------|---|------------|
| STPA-SS4G70N ● ○  | 15.1 | 4   | 500 | 7250 | 19.9 | 1750 | 41 | 18 | 12.2 | 5 | \$6,964.06 |
| STPA-SS55G70N ● ○ | 20.8 | 5.5 | 500 | 7250 | 27.4 | 1750 | 41 | 18 | 17.2 | 2 | \$6,964.06 |

### SPECIAL PARTS / KITS

| MOD           | DESCRIPTION                         | LIST PRICE |
|---------------|-------------------------------------|------------|
| AR2748        | Rail Kit 1-1/4" (2 rails & 4 bolts) | \$26.67    |
| AR2748H       | Rail Kit 2-1/2" (2 rails & 4 bolts) | \$74.62    |
| U-Bracket/Kit | Rail Kit 1-1/2" (2 rails & 4 bolts) | \$76.14    |
| AR64516       | Oil (16 oz)                         | \$15.80    |

### REPAIR KITS

| MOD     | DESCRIPTION  | QTY | LIST PRICE |
|---------|--------------|-----|------------|
| AR43408 | Valves       | 12  | \$142.93   |
| AR2548  | Pistons      | 3   | \$261.53   |
| AR2874  | Water Seals  | 9   | \$200.96   |
| AR2873  | Oil Seals    | 7   | \$53.95    |
| AR42120 | Piston Guide | 6   | \$160.68   |



# RTX-SS

## SOLID SHAFT PUMP



### Stainless Steel

140° F - Max Water Temp  
 1" F - Inlet Thread  
 1/2" F - Discharge Thread  
 70.5 oz - Oil Capacity



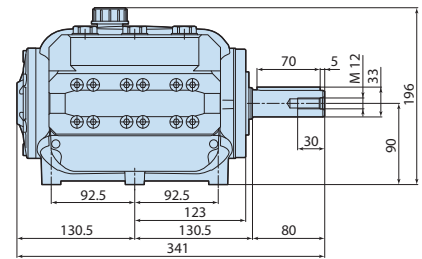
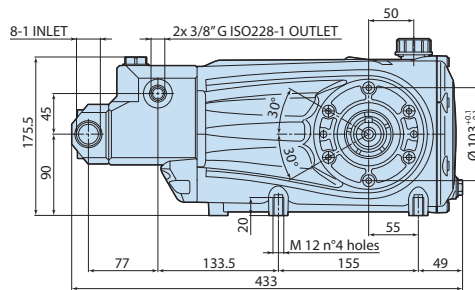
● AISI 420L pump head



○ bronze connecting-rods



○ buna o-rings



## N version

| MOD  | MAX<br>l/min | MAX<br>gpm | MAX<br>bar | MAX<br>psi | ebhp | rpm  | NET<br>lbs | BORE DIA<br>mm | STROKE<br>mm | CRANKSHAFT ID STAMP | LIST PRICE<br>\$ |             |
|--|--------------|------------|------------|------------|------|------|------------|----------------|--------------|---------------------|------------------|-------------|
| <b>RTX-SS 1450rpm N version 30mm Solid Shaft</b> |              |            |            |            |      |      |            |                |              |                     |                  |             |
| RTX-SS30.500                                     | ● ● ●        | 30         | 7.9        | 500        | 7250 | 39.4 | 1450       | 74             | 20           | 23                  | 3                | \$10,174.61 |

### SPECIAL PARTS / KITS

| MOD               | DESCRIPTION                     | LIST PRICE |
|-------------------|---------------------------------|------------|
| U-Bracket/RTX/Kit | Rail Kit 3" (2 rails & 4 bolts) | \$268.21   |
| AR645107          | Oil (SAE30) (1.07 gal)          | \$183.60   |

### REPAIR KITS

| MOD     | DESCRIPTION           | QTY | LIST PRICE |
|---------|-----------------------|-----|------------|
| AR43762 | Valves                | 6   | \$218.01   |
| AR42836 | Pistons ø 20          | 3   | \$361.97   |
| AR43763 | Water Seals ø 20      | 3   | \$307.05   |
| AR42840 | Oil Seals             | 8   | \$75.31    |
| AR43764 | Piston Guide Kit ø 20 | 3   | \$180.16   |

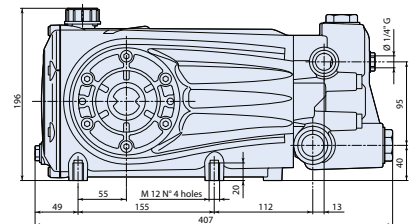
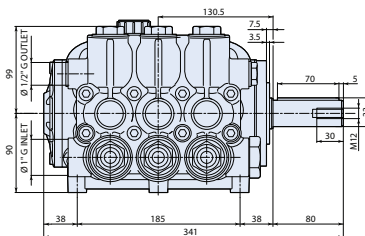
# RTX-SS

## SOLID SHAFT PUMP



### Stainless Steel

140° F - Max Water Temp  
 1" F - Inlet Thread  
 1/2" F - Discharge Thread  
 70.5 oz - Oil Capacity



● AISI 316L pump head



○ aluminum connecting rods



○ viton o-rings

## N version

| MOD  | MAX<br>l/min | MAX<br>gpm | MAX<br>bar | MAX<br>psi | MAX<br>ebhp | MAX<br>rpm | NET<br>lbs | BORE DIA<br>mm | STROKE<br>mm | CRANKSHAFT ID STAMP | LIST PRICE<br>\$ |
|--|--------------|------------|------------|------------|-------------|------------|------------|----------------|--------------|---------------------|------------------|
| <b>RTX-SS 1450rpm N version 30mm Solid Shaft</b> |              |            |            |            |             |            |            |                |              |                     |                  |
| RTX-SS100.100N ● ○ ○                             | 100          | 26.4       | 100        | 1500       | 27.0        | 1450       | 74         | 36             | 23           | 3                   | \$10,174.61      |

### SPECIAL PARTS / KITS

| MOD               | DESCRIPTION                     | LIST PRICE |
|-------------------|---------------------------------|------------|
| U-Bracket/RTX/Kit | Rail Kit 3" (2 rails & 4 bolts) | \$268.21   |
| AR645107          | Oil (SAE30) (1.07 gal)          | \$183.60   |

### REPAIR KITS

| MOD     | DESCRIPTION           | QTY | LIST PRICE  |
|---------|-----------------------|-----|-------------|
| AR43520 | Valves                | 6   | \$842.23    |
| AR42839 | Pistons ø 36          | 3   | \$421.69    |
| AR43519 | Water Seals ø 36      | 3   | \$812.94    |
| AR42840 | Oil Seals             | 8   | \$75.31     |
| AR43765 | Piston Guide Kit ø 36 | 3   | \$540.47    |
| AR76278 | Hot Water Seals       | 3   | Please Call |





CR

SOLID SHAFT PUMP

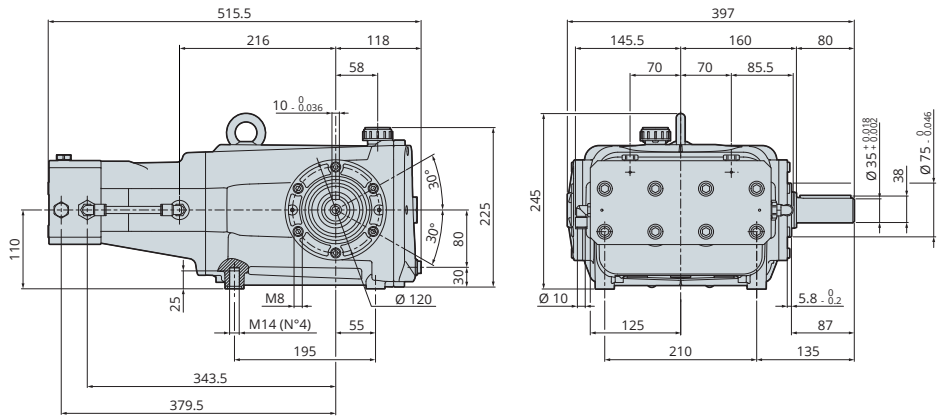


**Stainless Steel**

140° F - Max Water Temp  
 1-1/2" F - Inlet Thread  
 1" F - Discharge Thread  
 137 oz - Oil Capacity



● AISI 316L pump head  
 ● bronze connecting rods



**N version**

| MOD  |       |      |      |        |      |      | BORE DIA | STROKE | CRANKSHAFT ID STAMP | LIST PRICE |             |
|--|-------|------|------|--------|------|------|----------|--------|---------------------|------------|-------------|
|  | l/min | gpm  | bar  | psi    | ebhp | rpm  | mm       | mm     |                     | \$         |             |
| <b>CR 1000rpm N version 35mm Solid Shaft</b> |       |      |      |        |      |      |          |        |                     |            |             |
| CR8-1000N ● ○                                | 8     | 2.11 | 1000 | 15,000 | 21.7 | 1000 | 136      | 14     | 20                  | 5          | \$17,820.96 |
| CR15-1000 ● ○                                | 15    | 4.0  | 1000 | 15,000 | 41.1 | 1000 | 136      | 14     | 35                  | 4          | \$19,364.92 |
| CR18-1000 ● ○                                | 18    | 4.75 | 1000 | 15,000 | 48.9 | 1000 | 136      | 14     | 42                  | 3          | \$19,364.92 |
| CR20-1000 ● ○                                | 20    | 5.3  | 1000 | 15,000 | 54.4 | 1000 | 136      | 14     | 48                  | 1          | \$19,364.92 |

**SPECIAL PARTS / KITS**

| MOD                 | DESCRIPTION            | LIST PRICE |
|---------------------|------------------------|------------|
| BRACKET-RTP/RTF/RTJ | Rail Kit 2"            | \$139.14   |
| AR645107            | Oil (SAE30) (1.07 gal) | \$183.60   |
| BRACKET-RTD         | Rail Kit 3.576"        | \$144.39   |
| AR4181390           | Plug-Manifold          | \$30.40    |

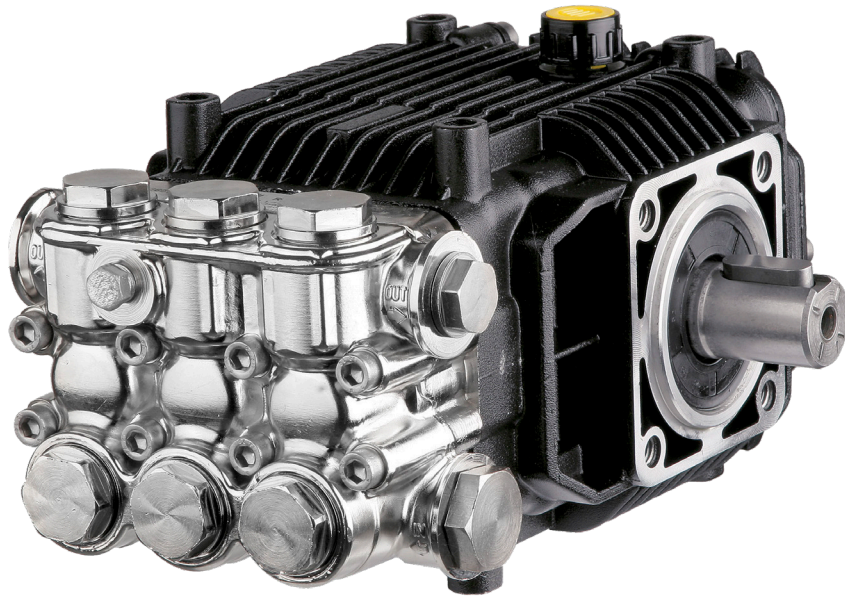
**REPAIR KITS**

| MOD     | DESCRIPTION | QTY | LIST PRICE |
|---------|-------------|-----|------------|
| AR46907 | Valves      | 11  | \$2,925.20 |
| AR46906 | Pistons     | 3   | \$2,037.55 |
| AR46908 | Water Seals | 10  | \$1,347.12 |
| AR43616 | Oil Seals   | 4   | \$119.98   |



# HOT WATER PUMPS

XHW  
RHW  
WHW  
WHWL  
RTX-HW

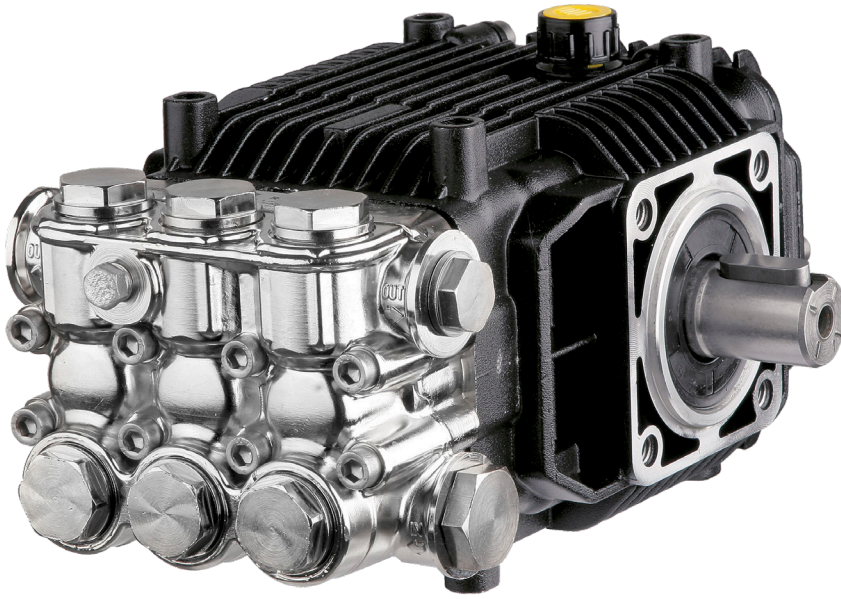


*Able to pump water up to 180° F.*

*Pump comes with either teflon or Viton seals installed.*



*Great to use with pre-existing hot water source. No need for burner and coil after the pump.*

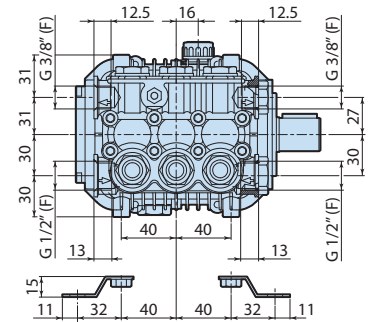
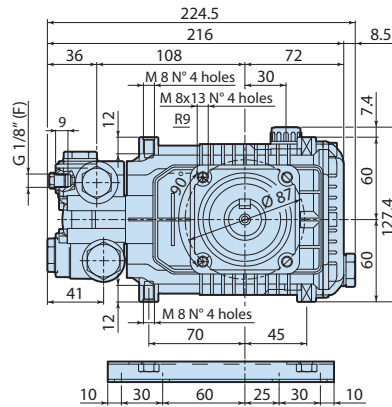








### Hot Water

**180° F - Max Water Temp**  
 3/4" F - Inlet Thread  
 3/8" F - Discharge Thread  
 32 oz - Oil Capacity

-  nickel plated brass head
-  aluminum connecting rods



## N version

| MOD   |  MAX |  MAX |  |  NET | BORE DIA | STROKE | CRANKSHAFT ID STAMP | LIST PRICE |      |   |            |
|---|---|---|---|---|----------|--------|---------------------|------------|------|---|------------|
|   | l/min   | gpm   | bar   | psi   | ebhp     | rpm    | lbs                 | mm         | mm   |   | \$         |
| <b>XHW 1450rpm N version 24mm Solid Shaft</b> |   |   |   |   |          |        |                     |            |      |   |            |
| XHW08.15N ● ○                                 | 8   | 2.11  | 150   | 2200  | 3.2      | 1450   | 14                  | 15         | 10.6 | 5 | \$1,676.10 |
| XHW1117N ○ ○                                  | 11  | 3.0   | 170   | 2500  | 5.0      | 1450   | 14                  | 15         | 15.4 | 1 | \$1,676.10 |

### SPECIAL PARTS / KITS

| MOD     | DESCRIPTION                         | LIST PRICE |
|---------|-------------------------------------|------------|
| AR2729  | Rail Kit 5/8" (2 rails & 4 bolts)   | \$41.08    |
| AR2633  | Rail Kit 1-3/4" (2 rails & 4 bolts) | \$35.18    |
| AR2633H | Rail Kit 2-5/8" (2 rails & 4 bolts) | \$46.40    |
| AR64516 | Oil (16 oz)                         | \$15.80    |

### REPAIR KITS

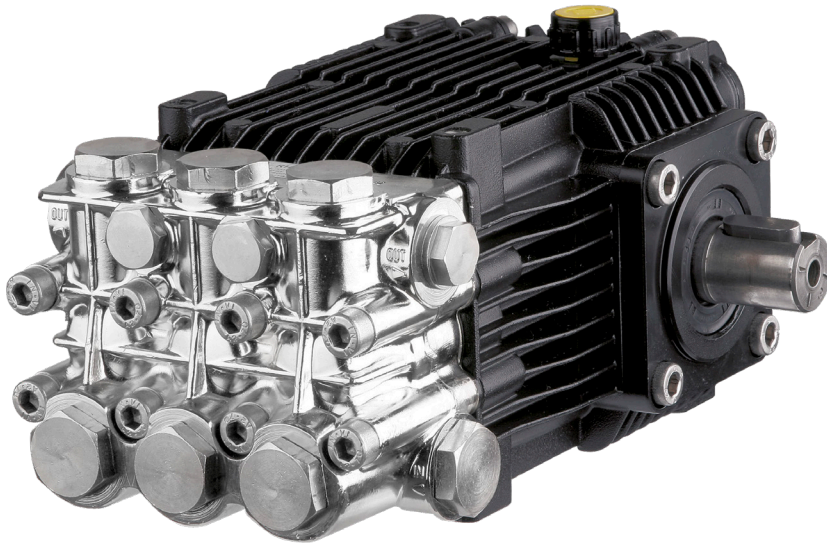
| MOD     | DESCRIPTION   | QTY | LIST PRICE |
|---------|---------------|-----|------------|
| AR42331 | Valves        | 6   | \$235.12   |
| AR2544  | Pistons       | 3   | \$179.97   |
| AR42332 | Water Seals   | 3   | \$560.05   |
| AR2786  | Oil Seals     | 6   | \$48.32    |
| AR2740  | Support Rings | 3   | \$13.54    |





# RHW

## SOLID SHAFT PUMP



### Hot Water

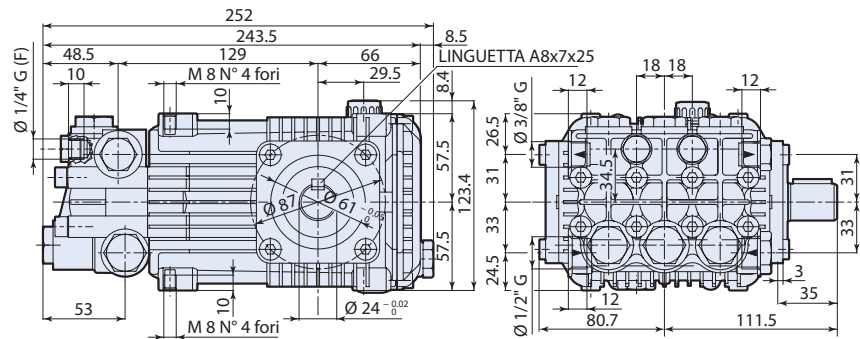
180° F - Max Water Temp  
 3/4" F - Inlet Thread  
 3/8" F - Discharge Thread  
 32 oz - Oil Capacity



● nickel plated brass head



○ bronze connecting-rods



## N version

| MOD | MAX   | MAX |     |     | BORE DIA | STROKE | CRANKSHAFT ID STAMP | LIST PRICE |
|-----|-------|-----|-----|-----|----------|--------|---------------------|------------|
|     | l/min | gpm | bar | psi | ebhp     | rpm    | lbs                 | mm         |

| RHW 1450rpm N version 24mm Solid Shaft |    |     |     |      |     |      |    |    |      |   |            |
|--|----|-----|-----|------|-----|------|----|----|------|---|------------|
| RHW1515N ● ○                           | 15 | 4.0 | 150 | 2200 | 6.0 | 1450 | 20 | 18 | 14.6 | 1 | \$1,923.97 |

### SPECIAL PARTS / KITS

| MOD              | DESCRIPTION                         | LIST PRICE |
|------------------|-------------------------------------|------------|
| AR2729           | Rail Kit 5/8" (2 rails & 4 bolts)   | \$41.08    |
| AR2633           | Rail Kit 1-3/4" (2 rails & 4 bolts) | \$35.18    |
| AR2633H          | Rail Kit 2-5/8" (2 rails & 4 bolts) | \$46.40    |
| U-Bracket/Kit    | Rail Kit 1-1/2" (2 rails & 4 bolts) | \$76.14    |
| U-Bracket/CW/Kit | Rail Kit 2" (2 rails & 4 bolts)     | \$97.15    |
| AR64516          | Oil (16 oz)                         | \$15.80    |

### REPAIR KITS

| MOD     | DESCRIPTION   | QTY | LIST PRICE |
|---------|---------------|-----|------------|
| AR42328 | Valves        | 6   | \$219.00   |
| AR2500  | Pistons       | 3   | \$325.45   |
| AR42329 | Water Seals   | 3   | \$382.14   |
| AR1855  | Oil Seals     | 7   | \$77.34    |
| AR1829  | Support Rings | 3   | \$18.41    |



### Hot Water

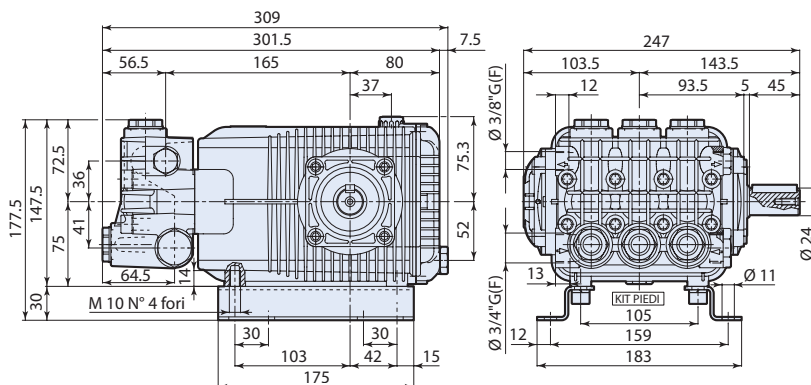
180° F - Max Water Temp  
 3/4" F - Inlet Thread  
 3/8" F - Discharge Thread  
 32 oz - Oil Capacity



● nickel plated brass head



○ aluminum connecting rods



### N version

| MOD | MAX<br>l/min | MAX<br>gpm | MAX<br>bar | MAX<br>psi | ebhp | rpm | NET<br>lbs | BORE DIA<br>mm | STROKE<br>mm | CRANKSHAFT ID STAMP | LIST PRICE<br>\$ |
|-----|--------------|------------|------------|------------|------|-----|------------|----------------|--------------|---------------------|------------------|
|-----|--------------|------------|------------|------------|------|-----|------------|----------------|--------------|---------------------|------------------|

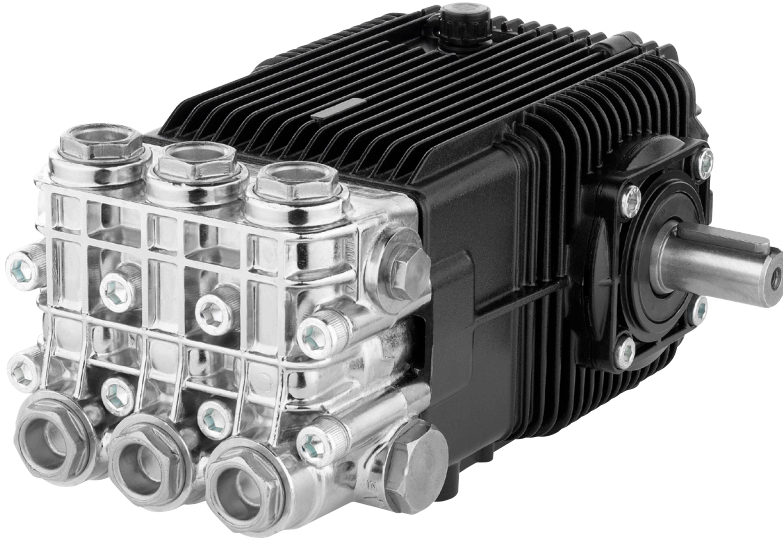
| WHW 1450rpm N version 24mm Solid Shaft |    |      |     |      |      |      |    |    |      |   |            |
|--|----|------|-----|------|------|------|----|----|------|---|------------|
| WHW2115N ● ○                           | 22 | 5.55 | 150 | 2200 | 8.3  | 1450 | 37 | 22 | 13.8 | 4 | \$2,348.89 |
| WHW3220N ○ ○                           | 30 | 8.0  | 200 | 3000 | 15.9 | 1450 | 37 | 22 | 19.8 | 1 | \$2,348.89 |

### SPECIAL PARTS / KITS

| MOD           | DESCRIPTION                         | LIST PRICE |
|---------------|-------------------------------------|------------|
| AR2748        | Rail Kit 5/8" (2 rails & 4 bolts)   | \$26.67    |
| AR2748H       | Rail Kit 1-3/4" (2 rails & 4 bolts) | \$74.62    |
| U-Bracket/Kit | Rail Kit 2-5/8" (2 rails & 4 bolts) | \$76.14    |
| AR64516       | Oil (16 oz)                         | \$15.80    |

### REPAIR KITS

| MOD     | DESCRIPTION        | QTY | LIST PRICE |
|---------|--------------------|-----|------------|
| AR2780  | Valves             | 6   | \$156.20   |
| AR2543  | Pistons Ø 22       | 3   | \$302.18   |
| AR42402 | Water Seals Ø 22   | 3   | \$759.81   |
| AR2873  | Oil Seals          | 6   | \$53.95    |
| AR42403 | Support Rings Ø 22 | 3   | \$9.19     |



### Hot Water

180° F - Max Water Temp  
 3/4" F - Inlet Thread  
 3/8" F - Discharge Thread  
 32 oz - Oil Capacity



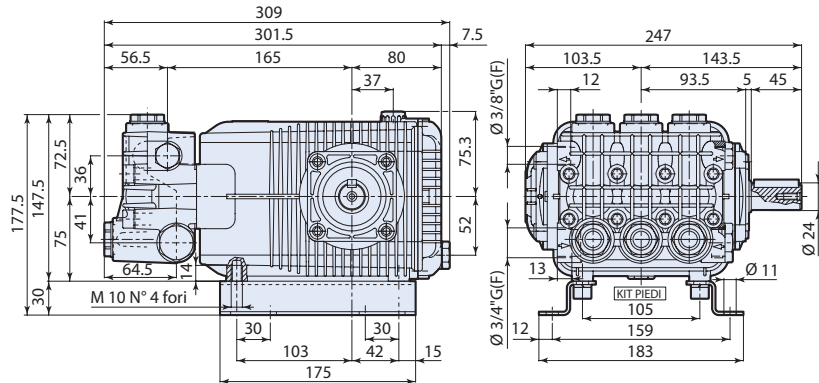
● nickel plated brass head



○ bronze connecting-rods



○ aluminum connecting-rods



### N version

| MOD | MAX   | MAX |     |     | BORE DIA | STROKE | CRANKSHAFT ID STAMP | LIST PRICE |    |  |    |
|-----|-------|-----|-----|-----|----------|--------|---------------------|------------|----|--|----|
|     | l/min | gpm | bar | psi | ebhp     | rpm    | lbs                 | mm         | mm |  | \$ |

| WHWL 1450rpm N version 24mm Solid Shaft |     |    |      |     |      |      |      |    |    |      |    |            |
|---|-----|----|------|-----|------|------|------|----|----|------|----|------------|
| WHWL38.15N                              | ● ○ | 38 | 10   | 150 | 2200 | 15.1 | 1450 | 37 | 28 | 15   | 8  | \$2,348.89 |
| WHWL50.15N                              | ○ ○ | 50 | 13.2 | 150 | 2200 | 19.9 | 1450 | 37 | 28 | 19.4 | 10 | \$2,348.89 |
| WHWL50.20NB                             | ● ○ | 50 | 13.2 | 200 | 3000 | 25.5 | 1450 | 37 | 28 | 19.4 | 10 | \$2,553.10 |

### SPECIAL PARTS / KITS

| MOD           | DESCRIPTION                         | LIST PRICE |
|---------------|-------------------------------------|------------|
| AR2748        | Rail Kit 5/8" (2 rails & 4 bolts)   | \$26.67    |
| AR2748H       | Rail Kit 1-3/4" (2 rails & 4 bolts) | \$74.62    |
| U-Bracket/Kit | Rail Kit 2-5/8" (2 rails & 4 bolts) | \$76.14    |
| AR2036        | Viton Water Seals ø28               | \$312.41   |
| AR64516       | Oil (16 oz)                         | \$15.80    |

### REPAIR KITS

| MOD     | DESCRIPTION       | QTY | LIST PRICE |
|---------|-------------------|-----|------------|
| AR2780  | Valves            | 6   | \$156.20   |
| AR1849  | Pistons ø28       | 3   | \$454.68   |
| AR42562 | Water Seals ø28   | 3   | \$738.64   |
| AR2873  | Oil Seals         | 6   | \$53.95    |
| AR42561 | Support Rings ø28 | 3   | \$9.60     |



### Hot Water

**180° F - Max Water Temp**  
 1" F - Inlet Thread  
 1/2" F - Discharge Thread  
 76 oz - Oil Capacity



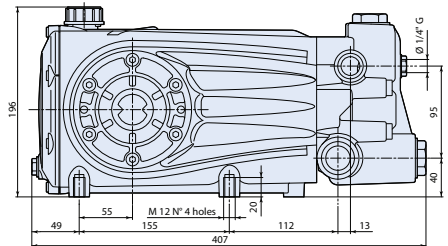
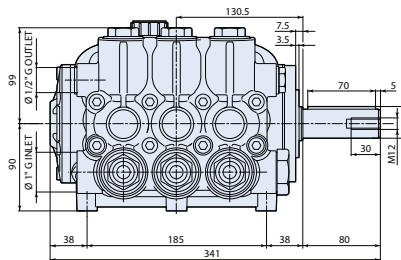
● nickel plated brass head



○ aluminum connecting-rods



○ runs at both 1450 and 1750 rpm



### N version

| MOD | MAX   | MAX |     | NET | BORE DIA | STROKE | CRANKSHAFT ID STAMP | LIST PRICE |
|-----|-------|-----|-----|-----|----------|--------|---------------------|------------|
|     | l/min | gpm | bar | psi | ebhp     | rpm    | lbs                 | mm         |

|   |      |      |     |      |      |      |    |           |            |
|---|------|------|-----|------|------|------|----|-----------|------------|
| <b>RTX-HW 1450rpm N version 30 x 80mm Solid Shaft</b> |      |      |     |      |      |      |    |           |            |
| RTX-HW85.150N ● ○ ○                                   | 85.0 | 21.0 | 200 | 2200 | 31.7 | 1450 | 72 | 30 28 1 1 | \$5,468.56 |

### SPECIAL PARTS / KITS

| MOD               | DESCRIPTION  | LIST PRICE |
|-------------------|--|------------|
| U-Bracket/RTX/Kit | Rail Kit 3" (2 rails & 4 bolts)                    | \$268.21   |
| AR770130          | Valve Seat O-Ring                                  | \$0.78     |
| AR2821330         | Valve Seat Back-up Ring                            | \$11.97    |
| AR645107          | Oil (SAE30) (1.07 gal)                             | \$183.60   |
| AR3662430         | Grease Zerk for shaft - RTX / RTD Hyd Direct Drive | \$8.00     |

### REPAIR KITS (CONTINUED)

| MOD     | DESCRIPTION                     | QTY | LIST PRICE |
|---------|---------------------------------|-----|------------|
| AR42838 | Pistons $\varnothing$ 30        | 3   | \$409.65   |
| AR42840 | Oil Seals                       | 7   | \$75.31    |
| AR42843 | Water Seals $\varnothing$ 30    | 3   | \$315.96   |
| AR42853 | Piston Guides $\varnothing$ 30  | 3   | \$135.52   |
| AR43555 | Hot Water Seal $\varnothing$ 30 | 3   | \$2,171.67 |
| AR42835 | Valves                          | 6   | \$217.28   |



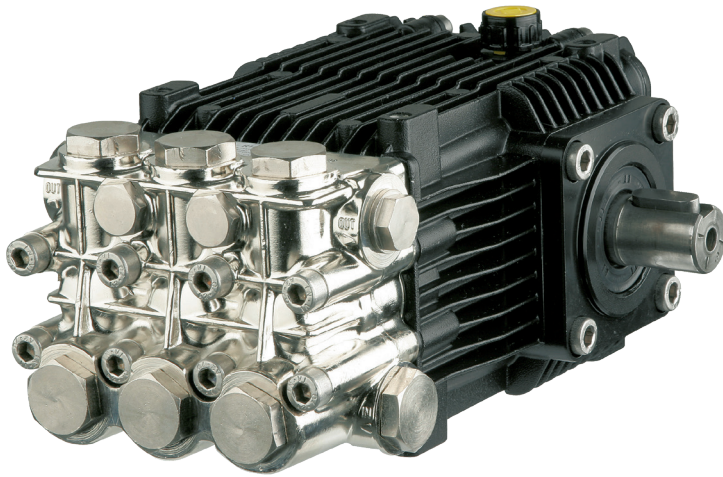
# SPECIALTY PUMPS

RKW  
JK-BLUE  
RKA-J  
GRKV



*Pumps for specific applications.*

*Many of these pumps are special order.*



### Specialty

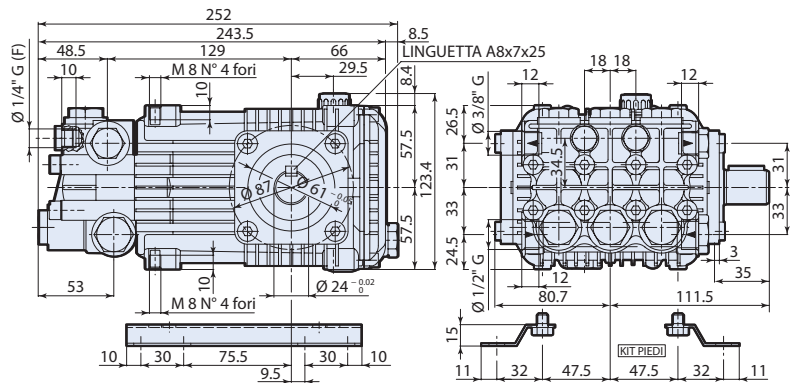
140° F - Max Water Temp  
 1/2" F - Inlet Thread  
 3/8" F - Discharge Thread  
 13.35 oz - Oil Capacity



● nickel plated brass head



○ bronze connecting rods



## N version

| MOD | MAX<br>l/min | MAX<br>gpm | MAX<br>bar | MAX<br>psi | ebhp | rpm | NET<br>lbs | BORE DIA<br>mm | STROKE<br>mm | CRANKSHAFT ID STAMP | LIST PRICE<br>\$ |
|-----|--------------|------------|------------|------------|------|-----|------------|----------------|--------------|---------------------|------------------|
|-----|--------------|------------|------------|------------|------|-----|------------|----------------|--------------|---------------------|------------------|

### RKW 950rpm N version 20mm Solid Shaft

|              |    |   |     |      |     |     |    |    |      |   |            |
|--------------|----|---|-----|------|-----|-----|----|----|------|---|------------|
| RKW1514N ● ○ | 15 | 4 | 140 | 2000 | 5.5 | 950 | 21 | 22 | 13.8 | 2 | \$1,085.92 |
|--------------|----|---|-----|------|-----|-----|----|----|------|---|------------|

### SPECIAL PARTS / KITS

| MOD              | DESCRIPTION                         | LIST PRICE |
|------------------|-------------------------------------|------------|
| AR2729           | Rail Kit 5/8" (2 rails & 4 bolts)   | \$41.08    |
| AR2633           | Rail Kit 1-3/4" (2 rails & 4 bolts) | \$35.18    |
| AR2633H          | Rail Kit 2-5/8" (2 rails & 4 bolts) | \$46.40    |
| U-Bracket/Kit    | Rail Kit 1-1/2" (2 rails & 4 bolts) | \$76.14    |
| U-Bracket/CW/Kit | Rail Kit 2" (2 rails & 4 bolts)     | \$97.15    |
| AR2811           | Viton Water Seals ø 22              | \$548.00   |
| AR64516          | Oil (16 oz)                         | \$15.80    |

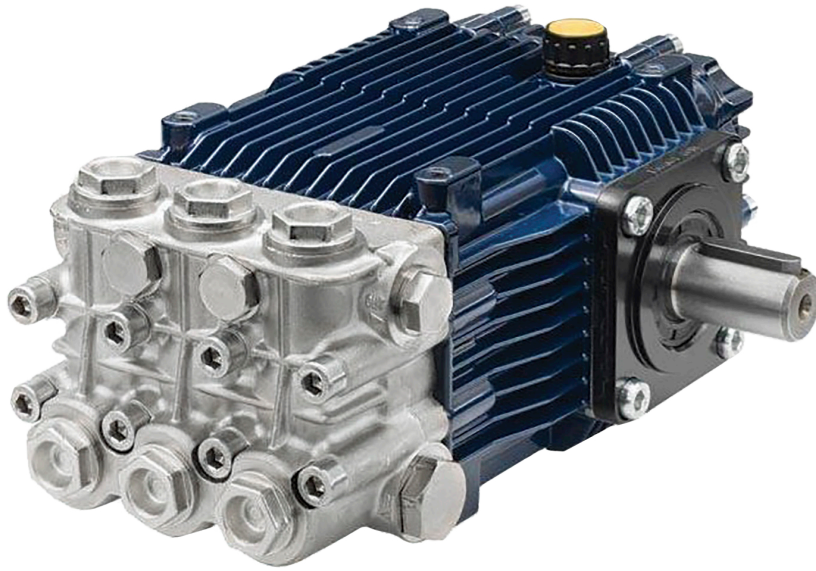
### REPAIR KITS

| MOD    | DESCRIPTION        | QTY | LIST PRICE |
|--------|--------------------|-----|------------|
| AR2864 | Valves             | 6   | \$72.86    |
| AR2759 | Pistons ø 22       | 3   | \$373.64   |
| AR1888 | Water Seals ø 22   | 3   | \$173.60   |
| AR1855 | Oil Seals          | 7   | \$77.34    |
| AR1816 | Support Rings ø 22 | 3   | \$12.00    |



# JK - BLUE

## SOLID SHAFT PUMP



### Specialty

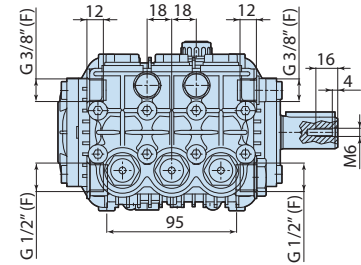
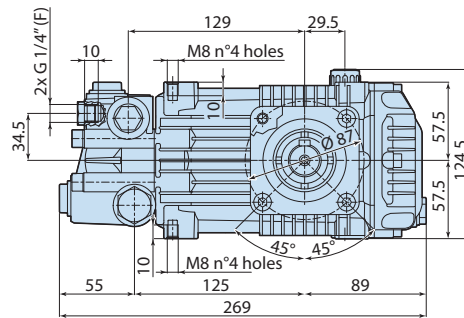
140° F - Max Water Temp  
 1/2" F - Inlet Thread  
 3/8" F - Discharge Thread  
 17 oz - Oil Capacity



nickel plated brass head



bronze connecting rods



## N version

| MOD  | MAX   |      | MAX |      | MAX  |      | NET | BORE DIA | STROKE | CRANKSHAFT ID STAMP | LIST PRICE |
|--|-------|------|-----|------|------|------|-----|----------|--------|---------------------|------------|
|  | l/min | gpm  | bar | psi  | ebhp | rpm  | lbs | mm       | mm     |                     | \$         |
| <b>JK 1450rpm N version 24mm Solid Shaft</b> |       |      |     |      |      |      |     |          |        |                     |            |
| JK1120HN ● ○                                 | 11    | 2.9  | 200 | 3000 | 5.5  | 1450 | 22  | 18       | 9.8    | 6                   | \$1,115.43 |
| JK1320HN ○ ●                                 | 13    | 3.43 | 200 | 3000 | 7.5  | 1450 | 22  | 18       | 10.8   | 5                   | \$1,115.43 |
| JK1520HN ● ○                                 | 15    | 3.96 | 200 | 3000 | 7.5  | 1450 | 22  | 18       | 13.8   | 2                   | \$1,115.43 |
| JK2115HN ○ ●                                 | 21    | 5.55 | 150 | 2200 | 7.5  | 1450 | 22  | 22       | 13.0   | 13                  | \$1,133.13 |

### SPECIAL PARTS / KITS

| MOD           | DESCRIPTION                         | LIST PRICE |
|---------------|-------------------------------------|------------|
| AR2729        | Rail Kit 5/8" (2 rails & 4 bolts)   | \$41.08    |
| AR2633        | Rail Kit 1-3/4" (2 rails & 4 bolts) | \$35.18    |
| AR2633H       | Rail Kit 2-5/8" (2 rails & 4 bolts) | \$46.40    |
| U-Bracket/Kit | Rail Kit 1-1/2" (2 rails & 4 bolts) | \$76.14    |
| AR64516       | Oil (16 oz)                         | \$15.80    |

### REPAIR KITS

| MOD     | DESCRIPTION        | QTY | LIST PRICE |
|---------|--------------------|-----|------------|
| AR2864  | Valves             | 6   | \$72.86    |
| AR43402 | Pistons ø 18       | 3   | \$98.14    |
| AR46110 | Pistons ø 22       | 3   | \$156.66   |
| AR43404 | Water Seals ø 18   | 12  | \$39.55    |
| AR46113 | Water Seals ø 22   | 3   | \$73.10    |
| AR43403 | Oil Seals          | 7   | \$28.72    |
| AR43405 | Support Rings ø 18 | 6   | \$19.19    |
| AR46115 | Support Rings ø 22 | 6   | \$26.11    |

# RKA-J-F22

## SOLID SHAFT PUMP



### Features:

- Fits Honda GX390, type K1
- Variation LX2
- 25mm Shaft 2:1 gear reduction

### Specialty

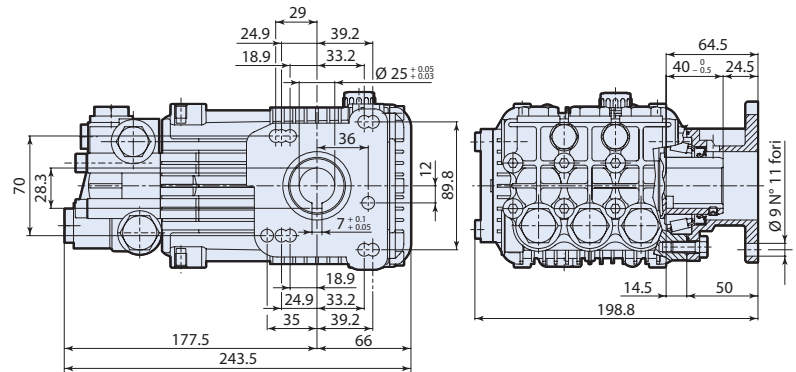
140° F - Max Water Temp  
 1/2" F - Inlet Thread  
 3/8" F - Discharge Thread  
 15 oz - Oil Capacity



nickel plated brass head



bronze connecting rods



## J version + F22

| MOD | MAX   | MAX |     |     | NET  | BORE DIA | STROKE | CRANKSHAFT ID STAMP | LIST PRICE |    |
|-----|-------|-----|-----|-----|------|----------|--------|---------------------|------------|----|
|     | l/min | gpm | bar | psi | ebhp | rpm      | lbs    | mm                  | mm         | \$ |

### RKA 1750rpm J version 25mm Shaft for Engine with Internal Gear Box

RKA4G40HJ-F22 ● ○ 15.1 4 275 4000 11.0 1750 20 18 12 4 \$1,085.92

Special Order Pump with long lead times  
 Can be stocked with annual quantities

### SPECIAL PARTS / KITS

| MOD     | DESCRIPTION                         | LIST PRICE |
|---------|-------------------------------------|------------|
| AR2809  | Viton Water Seals ø 18              | \$292.85   |
| AR42213 | Kit for up to 180° F ø 18 High Temp | \$636.29   |
| AR42149 | Single Cylinder Pistons Kit ø 18    | \$55.64    |
| AR64516 | Oil (16 oz)                         | \$15.80    |

### REPAIR KITS

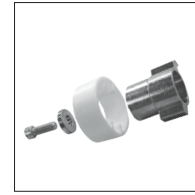
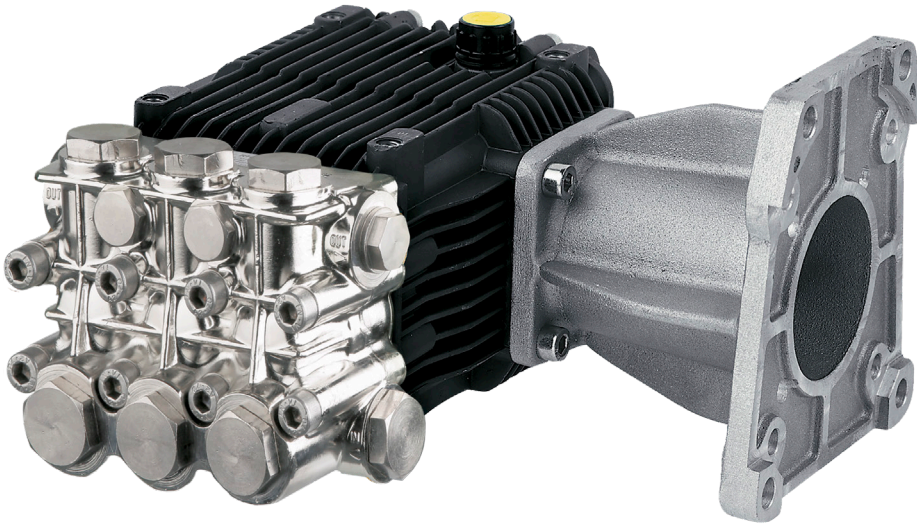
| MOD    | DESCRIPTION        | QTY | LIST PRICE |
|--------|--------------------|-----|------------|
| AR1828 | Valves             | 6   | \$69.79    |
| AR2546 | Pistons ø 18       | 3   | \$227.40   |
| AR1857 | Water Seals ø 18   | 3   | \$136.00   |
| AR1856 | Oil Seals          | 7   | \$62.76    |
| AR1829 | Support Rings ø 18 | 3   | \$18.41    |





# GRKV-F35

## HOLLOW SHAFT PUMP



**AR2504**

Mounting Hardware  
(included with pump)

**Features:**

- Patented Tapered Hollow Shaft for coupling to tapered shaft engines
- Fits 11-13 HP taper shaft generator engines

### Specialty

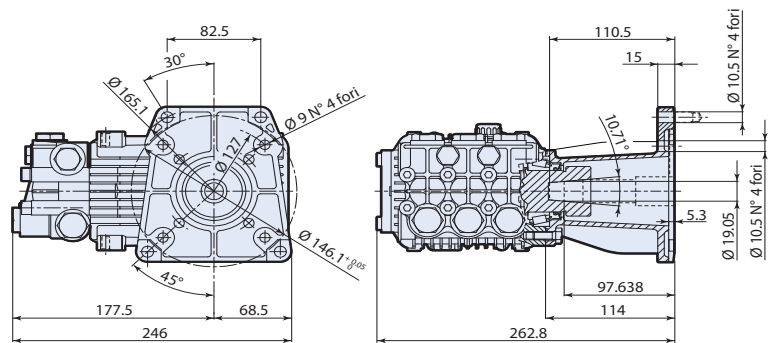
140° F - Max Water Temp  
1/2" F - Inlet Thread  
3/8" F - Discharge Thread  
15 oz - Oil Capacity



● nickel plated brass head



○ aluminum connecting rods



## V version + F35

| MOD   | MAX        | MAX      |          | NET | BORE DIA | STROKE | CRANKSHAFT ID STAMP | LIST PRICE |
|---|------------|----------|----------|-----|----------|--------|---------------------|------------|
|   | l/min gpm  | bar psi  | ebhp rpm | lbs | mm       | mm     |                     | \$         |
| <b>GRKV 3400rpm V version 1" with Tapered Gas Engine Flange</b> |            |          |          |     |          |        |                     |            |
| GRKV4G35HV-F35  | ● ○ 15.1 4 | 240 3500 | 9.5 3400 | 23  | 18       | 7      | 8                   | \$1,085.92 |

### SPECIAL PARTS / KITS

| MOD     | DESCRIPTION                         | LIST PRICE |
|---------|-------------------------------------|------------|
| AR2809  | Viton Water Seals Ø 18              | \$292.85   |
| AR42213 | Kit for up to 180° F Ø 18 High Temp | \$636.29   |
| AR2504  | Mounting Hardware                   | \$57.14    |
| AR64516 | Oil (16 oz)                         | \$15.80    |

### REPAIR KITS

| MOD    | DESCRIPTION        | QTY | LIST PRICE |
|--------|--------------------|-----|------------|
| AR1828 | Valves             | 6   | \$69.79    |
| AR2546 | Pistons Ø 18       | 3   | \$227.40   |
| AR1857 | Water Seals Ø 18   | 3   | \$136.00   |
| AR1856 | Oil Seals          | 7   | \$62.76    |
| AR1829 | Support Rings Ø 18 | 3   | \$18.41    |



# MIST PUMPS

RCAM



*Low flow and psi for misting areas.*

*Bare pumps and pump/motor combinations available.*



### Misting

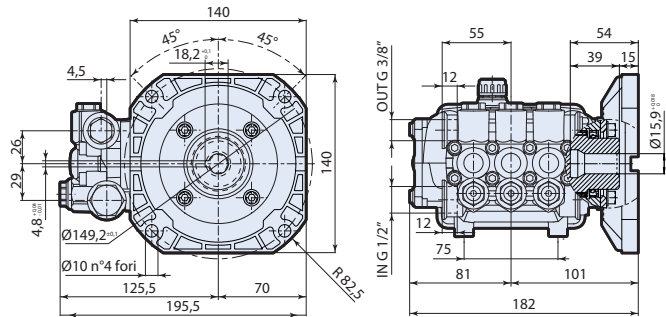
140° F - Max Water Temp  
 1/2" F - Inlet Thread  
 3/8" F - Discharge Thread  
 9.81 oz - Oil Capacity



● brass head



○ aluminum connecting-rods



### E version + F8

| MOD   | MAX | MAX  | MAX  | MAX | MAX  | MAX | NET  | BORE DIA | STROKE | CRANKSHAFT ID STAMP | LIST PRICE |          |
|---|-----|------|------|-----|------|-----|------|----------|--------|---------------------|------------|----------|
|   |     |      |      |     |      |     |      |          |        |                     |            | l/min    |
| <b>RCAM 1750 rpm E version 5/8" with Nema 56-C Flange</b> |     |      |      |     |      |     |      |          |        |                     |            |          |
| RCAM025G15E-F8  | ● ○ | 0.95 | 0.25 | 103 | 1500 | 0.3 | 1750 | 11       | 15     | 1.3                 | 15         | \$675.15 |
| RCAM05G15E-F8   | ● ○ | 1.8  | 0.5  | 103 | 1500 | 0.5 | 1750 | 11       | 15     | 2.6                 | 13         | \$675.15 |
| RCAM05G15EF8-SX   | ● ○ | 1.8  | 0.5  | 103 | 1500 | 0.5 | 1750 | 11       | 15     | 2.6                 | 13         | \$675.15 |
| RCAM1G15E-F8  | ● ○ | 3.7  | 1    | 103 | 1500 | 1.0 | 1750 | 11       | 15     | 4.4                 | 11         | \$675.15 |
| RCAM1G15EF8-SX  | ● ○ | 3.7  | 1    | 103 | 1500 | 1.0 | 1750 | 11       | 15     | 4.4                 | 11         | \$675.15 |
| RCAM1.5G15E-F8  | ● ○ | 5.7  | 1.5  | 103 | 1500 | 1.5 | 1750 | 11       | 15     | 6.5                 | 8          | \$675.15 |
| RCAM2G15E-F8  | ● ○ | 7.5  | 2    | 103 | 1500 | 2.0 | 1750 | 11       | 15     | 8.2                 | 6          | \$675.15 |
| RCAM2G15E-F8-SX   | ● ○ | 7.5  | 2    | 103 | 1500 | 2.0 | 1750 | 11       | 15     | 8.2                 | 6          | \$675.15 |

SX - 180° Rotated Shaft Configuration

### SPECIAL PARTS / KITS

| MOD     | DESCRIPTION | LIST PRICE |
|---------|-------------|------------|
| AR64516 | Oil (16 oz) | \$15.80    |

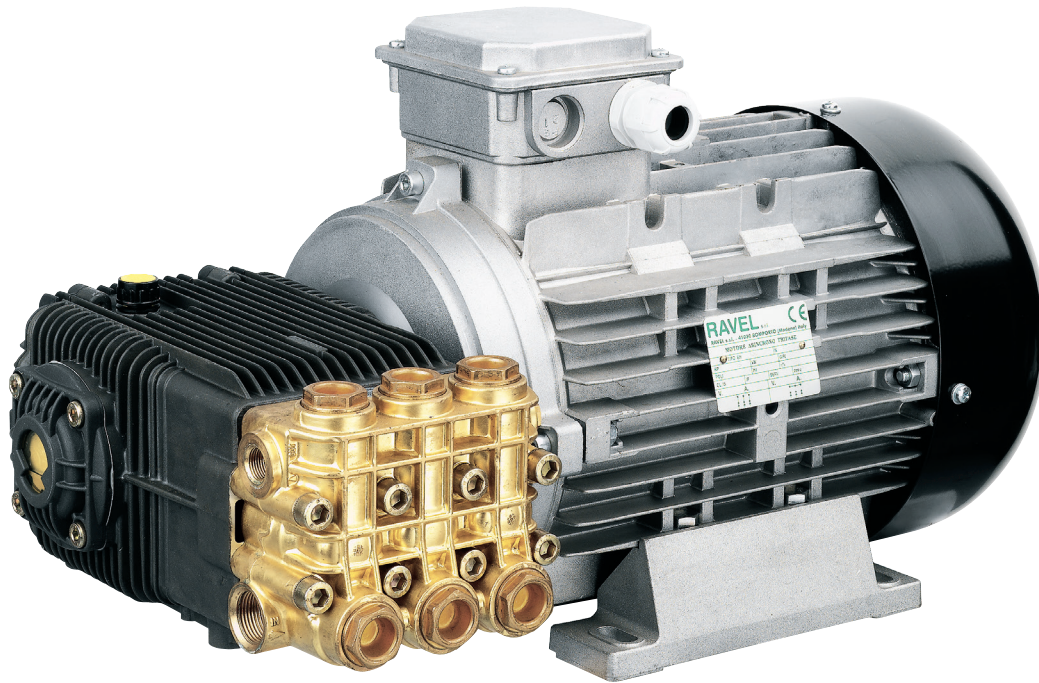
### REPAIR KITS

| MOD     | DESCRIPTION   | QTY | LIST PRICE |
|---------|---------------|-----|------------|
| AR42494 | Valves        | 6   | \$81.76    |
| AR42475 | Pistons       | 3   | \$119.30   |
| AR42476 | Water Seals   | 3   | \$51.10    |
| AR42474 | Oil Seals     | 4   | \$30.18    |
| AR42495 | Support Rings | 20  | \$27.42    |
| AR2191  | Support Rings | 3   | \$7.21     |



# ELECTRIC MOTORS

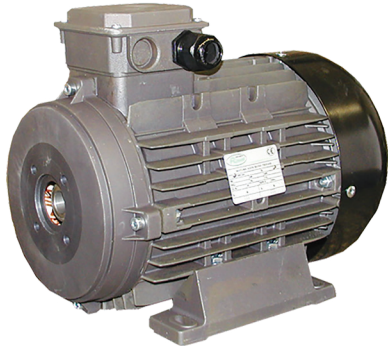
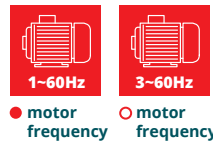
HOLLOW SHAFT  
HOLLOW SHAFT W/INTERNAL FLEXIBLE JOINT  
SOLID SHAFT  
MOTOR-PUMP COMBO



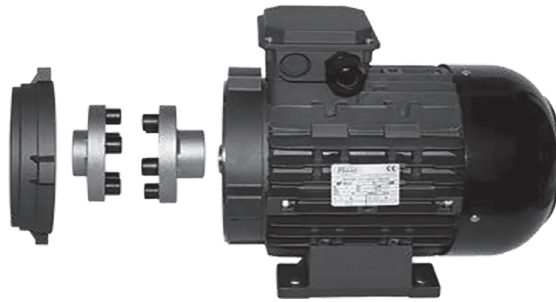
*Hollow Shaft Motors:  
Internal joint used to couple high  
pressure pumps to motors.  
Reduced overall dimensions of hollow  
shaft motor.  
Shield and flange on front side.*

*Solid Shaft Motors:  
Standard solid shaft configuration.*

# ELECTRIC MOTORS



Hollow Shaft



Hollow Shaft  
Internal Flexible Coupling



Solid Shaft

## Electric

Black Anodized  
Enclosure - TEFC  
Service Factor - 1.10-1.15  
Thermal Protection - On Request

| MOD  | VOLTAGE | PHASE | HERTZ |          |     | FULL LOAD AMPS | FRAME | LIST PRICE |
|--|---------|-------|-------|----------|-----|----------------|-------|------------|
|  | v       |       | h     | hp rpm   | lbs |                |       | \$         |
| <b>Motor 1750rpm</b> Hollow Shaft 24mm - ID for XM, RK, XW, RG |         |       |       |          |     |                |       |            |
| R4123  | 220/380 | 3     | 60    | 7.5 1750 | 88  | 21/12.1        | 112   | \$1,446.51 |

| MOD   | VOLTAGE | PHASE | HERTZ |          |     | FULL LOAD AMPS | FRAME   | BEARINGS      | LIST PRICE |
|---|---------|-------|-------|----------|-----|----------------|---------|---------------|------------|
|   | v       |       | h     | hp rpm   | lbs |                |         |               | \$         |
| <b>Motor 1750rpm</b> Hollow Shaft 24mm - Connector Box on Left - Black Anodized - ID for XM, RK, XW, RG |         |       |       |          |     |                |         |               |            |
| R1272A  | 230     | 1     | 60    | 5.0 1750 | 66  | 23             | H112    | KBC6306ZZ/1pc | \$1,608.50 |
| R1266A  | 230/460 | 3     | 60    | 10 1750  | 88  | 28/14          | Nema213 | KBC6308ZZ/1pc | \$2,625.06 |
| R1245A  | 230/460 | 3     | 60    | 15 1750  | 165 | 37/19          | 132L    | KBC6308ZZ/2pc | \$3,016.52 |
| R1267A  | 230/460 | 3     | 60    | 20 1750  | 209 | 53/27          | Nema256 | KBC6309ZZ/2pc | \$5,276.26 |

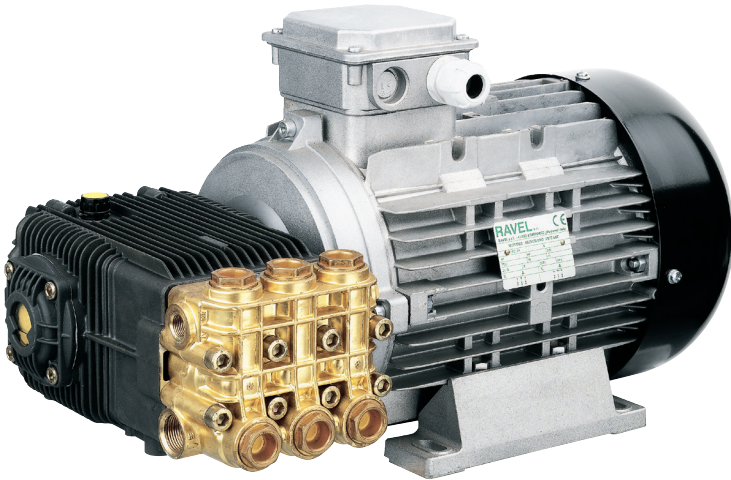
| MOD  | VOLTAGE | PHASE | HERTZ |          |     | FRAME | LIST PRICE |
|--|---------|-------|-------|----------|-----|-------|------------|
|  | v       |       | h     | hp rpm   | lbs |       | \$         |
| <b>Motor 1750rpm</b> Hollow Shaft 24mm - With Internal Flexible Joint - ID for XM, RK, XW, |         |       |       |          |     |       |            |
| R2579A   | 230/460 | 3     | 60    | 7.5 1750 | 88  | H112  | \$2,055.46 |
| R2583A   | 230/460 | 3     | 60    | 10 1750  | 88  | H132S | \$3,109.33 |
| R2584A   | 230/460 | 3     | 60    | 15 1750  | 165 | H132M | \$3,579.20 |

| MOD   | SHAFT SIZE | MOTOR FACE | VOLTAGE | PHASE | HERTZ |          |     | FULL LOAD AMPS | FRAME   | BEARINGS       | LIST PRICE |
|---|------------|------------|---------|-------|-------|----------|-----|----------------|---------|----------------|------------|
|   |            |            | v       |       | h     | hp rpm   | lbs |                |         |                | \$         |
| <b>Motor 1750rpm</b> Solid Shaft - Connector Box on Left - Black Anodized |            |            |         |       |       |          |     |                |         |                |            |
| R6010   | 1-1/8"     | C          | 230/460 | 3     | 60    | 7.5 1750 | 88  | 22.4/11.2      | Nema213 | KBC6306ZZ/2pcs | \$2,490.66 |
| R6015   | 1-3/8"     | C          | 230/460 | 3     | 60    | 7.5 1750 | 88  | 22.4/11.2      | Nema213 | KBC6306ZZ/2pcs | \$2,490.66 |
| R6011   | 1-3/8"     | C          | 230/460 | 3     | 60    | 10 1750  | 104 | 29/15          | Nema256 | KBC6308ZZ/2pcs | \$2,905.60 |
| R6012   | 1-3/8"     | Std        | 230/460 | 3     | 60    | 10 1750  | 104 | 29/15          | Nema213 | KBC6308ZZ/2pcs | \$2,962.13 |
| R6013   | 1-5/8"     | Std        | 230/460 | 3     | 60    | 15 1750  | 165 | 37/19          | Nema256 | KBC6308ZZ/2pcs | \$4,817.60 |
| R6014   | 1-5/8"     | Std        | 230/460 | 3     | 60    | 20 1750  | 209 | 53/27          | Nema256 | KBC6309ZZ/2pcs | \$5,354.66 |



# ELECTRIC MOTORS

## ELECTRIC MOTOR-PUMP UNITS



### Electric

8 - Max GPM  
2900 - Max PSI



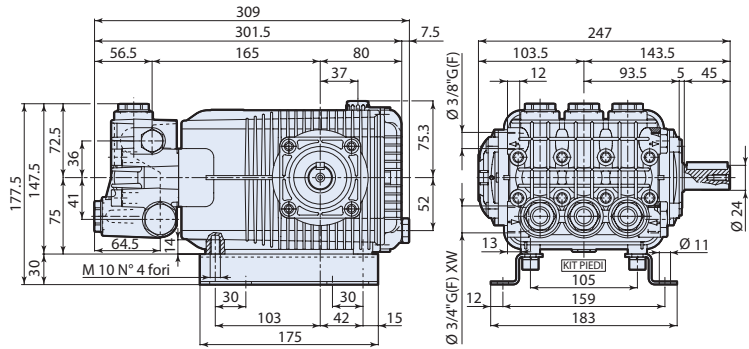
● brass head



○ aluminum connecting rods



○ motor frequency



| MOD | VOLTAGE | PHASE | HERTZ | hp | rpm | lbs | FULL LOAD AMPS | FRAME | BEARINGS | LIST PRICE |
|-----|---------|-------|-------|----|-----|-----|----------------|-------|----------|------------|
|     | v       |       | h     |    |     |     |                |       |          | \$         |

**Motor Pump 1750rpm** Hollow Shaft 24mm - Connector Box on Left - Black Anodized

XWAM8G29N/ET ● ○ ○ 230/460V 3 60 15 1750 233 37/19 Nema256 KBC6308ZZ/2pcs \$3,529.24

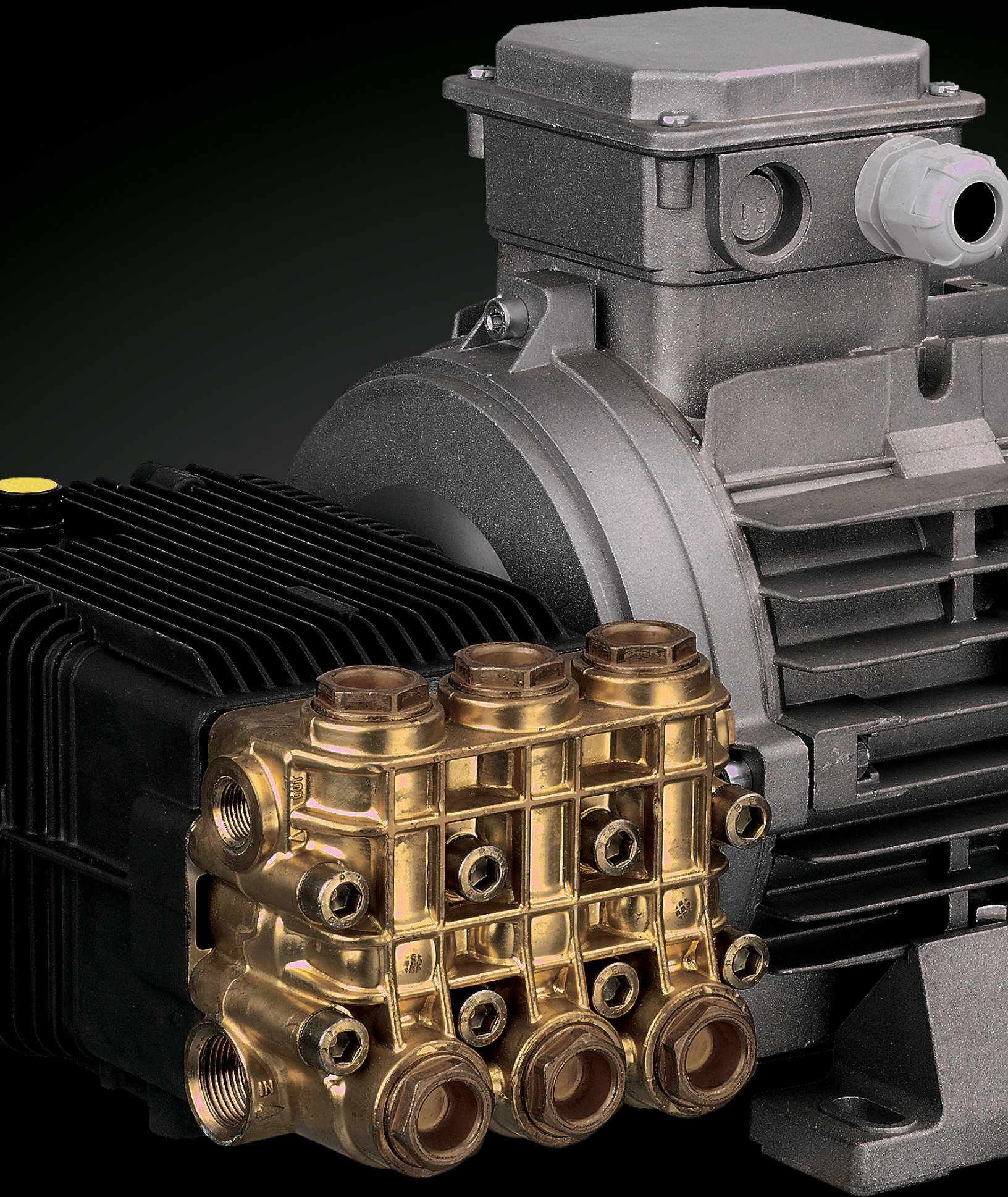
### SPECIAL PARTS / KITS

| MOD      | DESCRIPTION            | LIST PRICE |
|----------|------------------------|------------|
| AR2778   | Viton Water Seals Ø 20 | \$250.94   |
| AR2779   | Viton Water Seals Ø 22 | \$241.48   |
| AR980069 | Packing Extractor      | \$181.98   |
| AR64516  | Oil (16 oz)            | \$15.80    |

### REPAIR KITS

| MOD    | DESCRIPTION        | QTY | LIST PRICE |
|--------|--------------------|-----|------------|
| AR2780 | Valves             | 6   | \$156.20   |
| AR2542 | Pistons Ø 20       | 3   | \$293.36   |
| AR2782 | Water Seals Ø 20   | 3   | \$155.44   |
| AR2781 | Oil Seals          | 6   | \$73.50    |
| AR2784 | Piston Guides Ø 20 | 3   | \$116.83   |

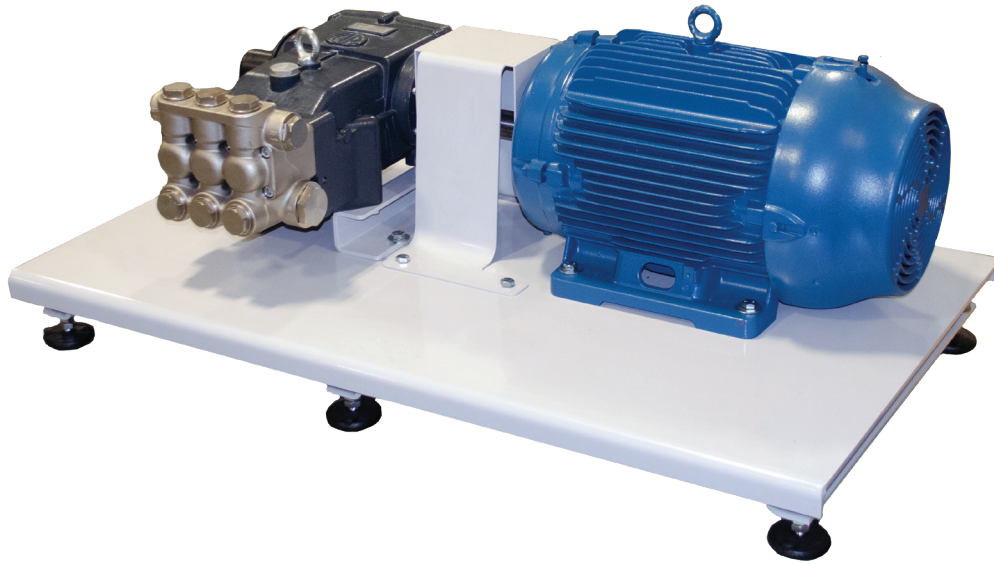






# SKID UNITS

30 HP MOTOR  
40 HP MOTOR  
50 HP MOTOR  
SKID MOUNT PUMPS



*Custom pumping systems configured to meet any application requirements.*

*Supplied standard with variable frequency drive.*

*Direct drive motor and pump coupling.*

*30, 40 and 50 horsepower motors available.*

*Available from 8 GPM to 40 GPM.*

*8,000 PSI maximum pressure.*

# SKID UNITS



motor frequency

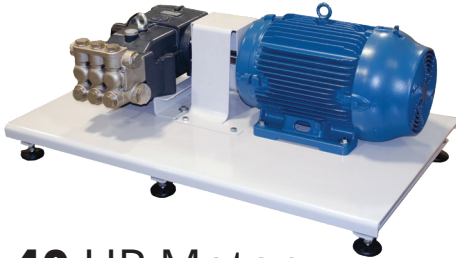


## 30 HP Motor

| MOD | LIST PRICE |
|-----|------------|
|     | \$         |

### 30 HP Motor

|  |             |
|--|-------------|
| ARRTX30HP-SKID                         | Please Call |
| ARRTD30HP-SKID                         | Please Call |
| ARRT30HP-SKID                          | Please Call |
| WMC300 - 30HP Variable Frequency Drive |             |



## 40 HP Motor

| MOD | LIST PRICE |
|-----|------------|
|     | \$         |

### 40 HP Motor

|  |             |
|--|-------------|
| ARRTX40HP-SKID                         | Please Call |
| ARRTD40HO-SKID                         | Please Call |
| ARRT40HP-SKID                          | Please Call |
| WMC400 - 40HP Variable Frequency Drive |             |

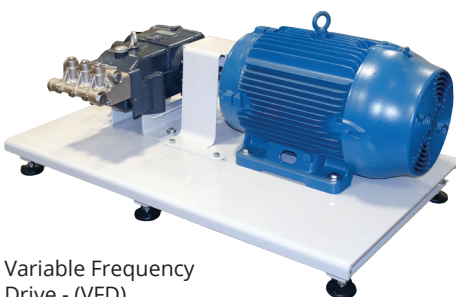


## 50 HP Motor

| MOD | LIST PRICE |
|-----|------------|
|     | \$         |

### 50 HP Motor

|  |             |
|--|-------------|
| ARRTD50HP-SKID                         | Please Call |
| ARRT50HP-SKID                          | Please Call |
| WMC500 - 50HP Variable Frequency Drive |             |



Variable Frequency Drive - (VFD)

Pumps available for the 30, 40 & 50 horsepower skid units.

- Horsepower is dependent on flow and pressure.
- Select pump by model
- Choose your flow (GPM) and pressure (PSI). Calculate horsepower requirement with formula:  $GPM \times PSI / 1457 = \text{Electric Brake Horse Power}$ .

Contact ARNA for assistance and pricing:

1.800.893.4235 / email info@arnorthamerica.com

## SKID MOUNT pumps

| MOD   | MAX   |      | MAX |      | MAX  |      |
|---|-------|------|-----|------|------|------|
|   | l/min | gpm  | bar | psi  | ebhp | rpm  |
| <b>RTX - Inlet = 1" Outlet = 1/2"</b>         |       |      |     |      |      |      |
| <b>RTX30.500 - Inlet = 3/4" Outlet = 3/8"</b> |       |      |     |      |      |      |
| RTX 30.300                                    | 30.3  | 8.0  | 300 | 4350 | 23.9 | 1450 |
| RTX 30.500                                    | 30.3  | 8.0  | 500 | 7250 | 39.8 | 1450 |
| RTX 50.300                                    | 45.4  | 12.0 | 300 | 4350 | 35.8 | 1450 |
| RTX 60.300                                    | 53.0  | 14.0 | 300 | 4350 | 41.8 | 1450 |
| RTX 70.200                                    | 64.4  | 17.0 | 200 | 3000 | 33.8 | 1450 |
| RTX 85.150                                    | 85.0  | 21.0 | 200 | 3000 | 31.7 | 1450 |
| RTX 100.120                                   | 90.8  | 24.0 | 124 | 1800 | 29.6 | 1450 |
| RTX-SS 100.100N                               | 90.8  | 24.0 | 100 | 1450 | 23.9 | 1450 |
| <b>RTD - Inlet = 1 1/2" Outlet = 1"</b>       |       |      |     |      |      |      |
| RTD 80.300                                    | 94.6  | 25.0 | 200 | 2900 | 49.8 | 1000 |
| RTD 100.200                                   | 94.6  | 25.0 | 200 | 2900 | 49.8 | 1000 |
| RTD 130.160                                   | 121.1 | 32.0 | 160 | 2300 | 50.5 | 1000 |
| RTD 130.200H                                  | 130   | 31.7 | 200 | 3000 | 65.1 | 1000 |
| RTD 160.130                                   | 151.4 | 40.0 | 130 | 1850 | 50.8 | 1000 |
| <b>RTP - Inlet = 3/4" Outlet = 1/2"</b>       |       |      |     |      |      |      |
| RTP 30N                                       | 30.0  | 7.9  | 500 | 7250 | 39.3 | 1000 |
| RTP 38N                                       | 38.0  | 10.0 | 500 | 7250 | 49.8 | 1000 |
| RTP 30.60N                                    | 30.0  | 7.9  | 600 | 8702 | 47.2 | 1000 |
| <b>RTF - Inlet = 1 1/2" Outlet = 1"</b>       |       |      |     |      |      |      |
| RTF 135N                                      | 135.0 | 36.0 | 100 | 1500 | 37.1 | 800  |
| RTF 150N                                      | 150.0 | 40.0 | 100 | 1500 | 41.2 | 800  |
| <b>RTJ - Inlet = 1 1/2" Outlet = 1"</b>       |       |      |     |      |      |      |
| RTJ 70  | 70.0  | 18.5 | 275 | 4000 | 50.8 | 1000 |

# PUMP PACKAGES

RMW  
RMV  
SJV  
RCV

RSV  
RRV  
SXMV  
RKV



*Variety of pumps to suit a wide range of engines and motors.*

*All packages have an integrated unloader or an external unloader installed.*

*Time and cost effective when doing in-house pump replacements.*


*Easy to sell to end user. No need to look up or sell multiple components.*

*Ecommerce - Pre-boxed*


# PUMP PACKAGES




| MOD             | DESCRIPTION   | LIST PRICE |
|-----------------|---|------------|
| RMW22G24-EZ-PKG | <ul style="list-style-type: none"> <li>• <b>Pump:</b> RMW22G24-EZ<br/>Max PSI: 2400<br/>Max GPM: 2.2<br/>RPM: 3400<br/>7/8" Hollow Shaft<br/>Vertical Gas Engine Flange</li> <li>• <b>Thermal relief valve:</b> TPP140-1/4A</li> <li>• <b>Detergent Hose w/Filter:</b> AR1269120</li> </ul> | \$284.47   |



| MOD            | DESCRIPTION  | LIST PRICE |
|----------------|--|------------|
| RMW22G24SX-PKG | <ul style="list-style-type: none"> <li>• <b>Pump:</b> RMW22G24-EZ-SX<br/>Max PSI: 2400<br/>Max GPM: 2.2<br/>RPM: 3400<br/>7/8" Hollow Shaft<br/>EZ Start Valve<br/>Vertical Gas Engine Flange<br/>Rotated 180° from Standard</li> <li>• <b>Thermal Relief Valve:</b> TPP140-1/4A</li> <li>• <b>Detergent Hose w/Filter:</b> AR1269120</li> </ul> | \$284.47   |




| MOD          | DESCRIPTION  | LIST PRICE |
|--------------|--|------------|
| RMV25G24-PKG | <ul style="list-style-type: none"> <li>• <b>Pump:</b> RMV25G24D<br/>Max PSI: 2400<br/>Max GPM: 2.5<br/>RPM: 3400<br/>3/4" Hollow Shaft<br/>Gas Engine Flange</li> <li>• <b>Thermal Relief Valve:</b> TPP140-1/4A</li> <li>• <b>Detergent Hose w/Filter:</b> AR1269120</li> </ul> | \$284.47   |




| MOD          | DESCRIPTION   | LIST PRICE |
|--------------|---|------------|
| RMW25G25-PKG | <ul style="list-style-type: none"> <li>• <b>Pump:</b> RMW25G25D<br/>Max PSI: 2500<br/>Max GPM: 2.5<br/>RPM: 3400<br/>7/8" Hollow Shaft<br/>Vertical Gas Engine Flange</li> <li>• <b>Thermal Relief Valve:</b> TPP140-1/4A</li> <li>• <b>Detergent Hose w/Filter:</b> AR1269120</li> </ul> | \$407.22   |




| MOD              | DESCRIPTION   | LIST PRICE |
|------------------|---|------------|
| RMV25G30D-EZ-PKG | <ul style="list-style-type: none"> <li>• <b>Pump:</b> RMV25G30D-EZ<br/>Max PSI: 3000<br/>Max GPM: 2.5<br/>RPM: 3400<br/>3/4" Hollow Shaft<br/>Gas Engine Flange</li> <li>• <b>Thermal Relief Valve:</b> TPP140-1/4A</li> <li>• <b>Detergent Hose w/Filter:</b> AR1269120</li> </ul> | \$402.50   |




| MOD          | DESCRIPTION  | LIST PRICE |
|--------------|--|------------|
| SJV25G27-PKG | <ul style="list-style-type: none"> <li>• <b>Pump:</b> SJV25G27D-F7<br/>Max PSI: 2700<br/>Max GPM: 2.5<br/>RPM: 3400<br/>3/4" Hollow Shaft<br/>F7 - Gas Engine Flange</li> <li>• <b>Thermal Relief Valve:</b> TPP140-1/4A</li> <li>• <b>Detergent Hose w/Filter:</b> AR1269120</li> <li>• <b>Garden Hose Adapter:</b> AR1264750</li> <li>• <b>Quick Connect Coupler:</b> AL-QC3/8B</li> </ul> | \$613.79   |



| MOD         | DESCRIPTION  | LIST PRICE |
|-------------|--|------------|
| SJV3G27-PKG | <ul style="list-style-type: none"> <li>• <b>Pump:</b> SJV3G27D-F7<br/>Max PSI: 2700<br/>Max GPM: 3<br/>RPM: 3400<br/>3/4" Hollow Shaft<br/>F7 - Gas Engine Flange</li> <li>• <b>Thermal Relief Valve:</b> TPP140-1/4A</li> <li>• <b>Garden Hose Adapter:</b> AR1264750</li> <li>• <b>Quick Connect Coupler:</b> AL-QC3/8B</li> </ul> | \$613.79   |



| MOD         | DESCRIPTION  | LIST PRICE |
|-------------|--|------------|
| RCV3G27-PKG | <ul style="list-style-type: none"> <li>• <b>Pump:</b> RCV3G27D-F7V2I<br/>Max PSI: 2700<br/>Max GPM: 3<br/>RPM: 3400<br/>3/4" Hollow Shaft<br/>F7 - Gas Engine Flange<br/>Mini-Matic Unloader</li> <li>• <b>Thermal Relief Valve:</b> TPP140</li> <li>• <b>Detergent Hose w/Filter:</b> AR1269120</li> <li>• <b>Quick Connect Coupler:</b> AL-QC3/8B</li> <li>• <b>3/8" M Nipple:</b> AR7365</li> <li>• <b>3/4" F Nut:</b> AR7366</li> <li>• <b>Inlet Filter:</b> AR7369</li> </ul> | \$755.43   |







# PUMP PACKAGES

| MOD         | DESCRIPTION  | LIST PRICE |
|-------------|--|------------|
| RSV3G30-PKG | <ul style="list-style-type: none"> <li>• <b>Pump:</b> RSV3G30D-F25EZ<br/>Max PSI: 3000<br/>Max GPM: 3<br/>RPM: 3400<br/>3/4" Hollow Shaft<br/>EZ Start Valve<br/>F7 - Gas Engine Flange</li> <li>• <b>3/8" M Nipple:</b> AR7365</li> <li>• <b>3/4" F Nut:</b> AR7366</li> <li>• <b>Inlet Filter:</b> AR7369</li> <li>• <b>Detergent Hose w/Filter:</b> DETHOSE-FIL</li> <li>• <b>Quick Connect Coupler:</b> AL-QC3/8B</li> </ul> | \$716.47   |



| MOD         | DESCRIPTION   | LIST PRICE |
|-------------|---|------------|
| RSV3G34-PKG | <ul style="list-style-type: none"> <li>• <b>Pump:</b> RSV3G34-PKG<br/>Max PSI: 3400<br/>Max GPM: 3<br/>RPM: 3400<br/>1" Hollow Shaft<br/>F40 - Gas Engine Flange</li> <li>• <b>3/8" M Nipple:</b> AR7365</li> <li>• <b>3/8" F Nut:</b> AR7366</li> <li>• <b>Inlet Filter:</b> AR7369</li> <li>• <b>Detergent Hose w/Filter:</b> DETHOSE-FIL</li> <li>• <b>Quick Connect Coupler:</b> AL-QC3/8B</li> </ul> | \$755.43   |



| MOD             | DESCRIPTION  | LIST PRICE |
|-----------------|--|------------|
| RRV4G40-VRT-PKG | <ul style="list-style-type: none"> <li>• <b>Pump:</b> RRV4G40HD-F24<br/>Max PSI: 4000<br/>Max GPM: 4<br/>RPM: 3400<br/>1" Hollow Shaft<br/>VRT3-310EZ Unloader<br/>F24 - Gas Engine Flange</li> <li>• <b>Thermal Relief Valve:</b> TPP140</li> <li>• <b>Quick Coupling Plug:</b> AL-PLUG3/8MB</li> <li>• <b>Fully Plumbed</b></li> <li>• <b>3ft. of Bypass Hose</b></li> </ul> | \$927.75   |




| MOD         | DESCRIPTION   | LIST PRICE |
|-------------|---|------------|
| RSV4G40-PKG | <ul style="list-style-type: none"> <li>• <b>Pump:</b> RSV4G40HDF40EZ<br/>Max PSI: 4000<br/>Max GPM: 4<br/>RPM: 3400<br/>1" Hollow Shaft<br/>EZ Start Valve<br/>F40 - Gas Engine Flange</li> <li>• <b>3/8" M Nipple:</b> AR7365</li> <li>• <b>3/8" F Nut:</b> AR7366</li> <li>• <b>Inlet Filter:</b> AR7369</li> <li>• <b>Detergent Hose w/Filter:</b> DETHOSE-FIL</li> <li>• <b>Quick Connect Coupler:</b> AL-QC3/8B</li> </ul> | \$794.38   |




| MOD         | DESCRIPTION   | LIST PRICE |
|-------------|---|------------|
| RRV4G40-PKG | <ul style="list-style-type: none"> <li>• <b>Pump:</b> RRV4G40HD-F24<br/>Max PSI: 4000<br/>Max GPM: 4<br/>RPM: 3400<br/>1" Hollow Shaft<br/>F24 - Gas Engine Flange</li> <li>• <b>Thermal Relief Valve:</b> TPP140</li> <li>• <b>3/4" F Nut:</b> AR7366</li> <li>• <b>1/2" M Nipple:</b> AR7368</li> <li>• <b>Inlet Filter:</b> AR7369</li> <li>• <b>Gymatic Unloader:</b> AR20242</li> <li>• <b>Quick Connect Coupler:</b> AL-QC3/8B</li> </ul> | \$1,013.92 |




| MOD          | DESCRIPTION  | LIST PRICE |
|--------------|--|------------|
| SXMV4G40-PKG | <ul style="list-style-type: none"> <li>• <b>Pump:</b> SXMV4G40DF40VR35<br/>Max PSI: 4000<br/>Max GPM: 4<br/>RPM: 3400<br/>1" Hollow Shaft<br/>VR35 Unloader<br/>F40 - Gas Engine Flange</li> <li>• <b>Thermal Relief Valve:</b> TPP140</li> <li>• <b>Garden Hose Adapter:</b> AR1264750</li> </ul> | \$1,050.52 |



| MOD         | DESCRIPTION   | LIST PRICE |
|-------------|---|------------|
| RKV4G37-PKG | <ul style="list-style-type: none"> <li>• <b>Pump:</b> RKV4G37DF24VR35<br/>Max PSI: 3700<br/>Max GPM: 4<br/>RPM: 3400<br/>1" Hollow Shaft<br/>VR35 Unloader<br/>F24 - Gas Engine Flange</li> <li>• <b>Thermal Relief Valve:</b> TPP140</li> <li>• <b>Garden Hose Adapter:</b> AR1264750</li> <li>• <b>3/8" Quick Coupling Plug:</b> AL-PLUG3/8B</li> </ul> | \$1,180.35 |



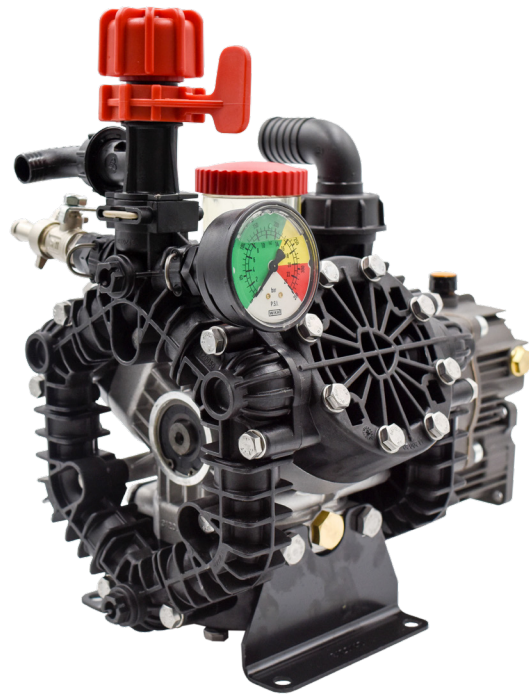
| MOD         | DESCRIPTION  | LIST PRICE |
|-------------|--|------------|
| RKV4G40-PKG | <ul style="list-style-type: none"> <li>• <b>Pump:</b> RKV4G40HDF24VR<br/>Max PSI: 4000<br/>Max GPM: 4<br/>RPM: 3400<br/>1" Hollow Shaft<br/>VR35 Unloader<br/>F24 - Gas Engine Flange</li> <li>• <b>Thermal Relief Valve:</b> TPP14</li> <li>• <b>1/2" Garden Hose Adapter w/Spring:</b> AR7300</li> </ul> | \$1,274.78 |





# SOFT WASH DIAPHRAGM PUMPS

AR20LFP  
AR25LFP  
AR45LFP  
AR60LFP  
AR80LFP



*Chemical Resistant Construction:*

- *Polypropylene Manifold*
- *316 Stainless Steel*
- *Built-in Control Unit*

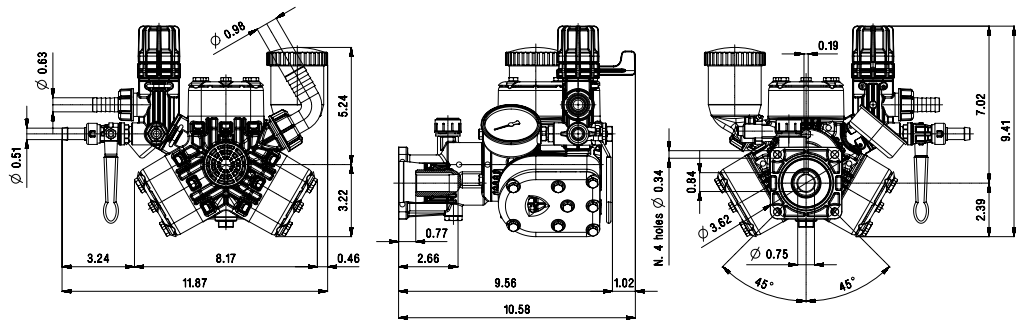
# AR20LFP & AR25LFP

SOFT WASH PUMP  
GAS ENGINE UNIT



## Low Pressure

140° F - Max Water Temp  
1" - Suction  
1/2" HB - Outlet



## Liquid Fertilizer Pesticide

| MOD  | MAX   | MAX | MAX |     | NET | LIST PRICE |     |            |
|--|-------|-----|-----|-----|-----|------------|-----|------------|
|  | l/min | gpm | bar | psi | hp  | rpm        | lbs | \$         |
| <b>AR20LFP/AR25LFP 1450rpm Semi-Hydraulic Three-Diaphragm Pump</b> |       |     |     |     |     |            |     |            |
| AR20LFP-GR3/4-GCI  | 20.0  | 5.3 | 20  | 290 | 1.0 | 1450       | 16  | \$1,592.53 |
| AR25LFP-GR3/4-GCI  | 24.3  | 6.4 | 20  | 290 | 1.1 | 1450       | 16  | \$1,645.44 |

\*3/4" hollow shaft for direct-mount to gas engine

### DIAPHRAGM KITS

| MOD     | DESCRIPTION | LIST PRICE |
|---------|-------------|------------|
| AR46561 | BlueFlex™   | \$79.94    |
| AR46563 | Viton       | \$375.74   |

### OIL

| MOD        | DESCRIPTION  | LIST PRICE |
|------------|--------------|------------|
| AR64532D   | Oil          | \$17.09    |
| AR64532D-C | Case (6) Oil | \$99.19    |

### VALVE KITS

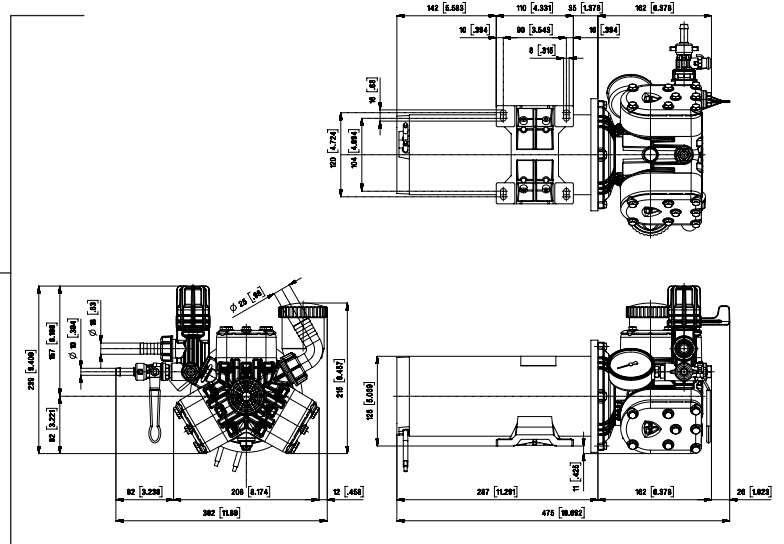
| MOD     | DESCRIPTION   | LIST PRICE |
|---------|---------------|------------|
| AR46564 | Valves (AR20) | \$194.34   |
| AR46565 | Valves (AR25) | \$313.75   |





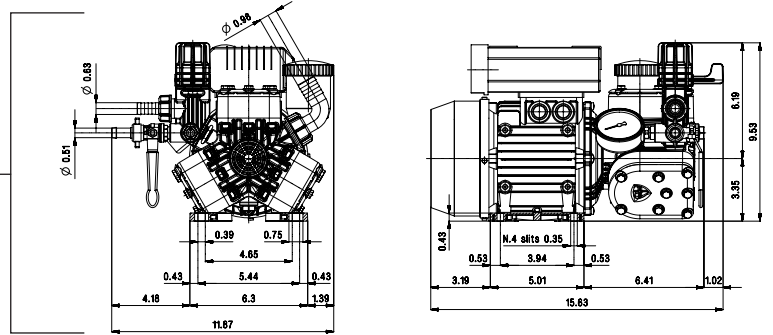
# AR20LFP & AR25LFP

SOFT WASH PUMP  
ELECTRIC MOTOR PUMP



## Low Pressure

140° F - Max Water Temp  
1" - Suction  
1/2" HB - Outlet



## Liquid Fertilizer Pesticide

| MOD  | MAX   | MAX |     | NET | LIST PRICE |      |     |            |
|--|-------|-----|-----|-----|------------|------|-----|------------|
|  | l/min | gpm | bar | psi | hp         | rpm  | lbs | \$         |
| <b>AR20LFP/AR25LFP 1450rpm Semi-Hydraulic Three-Diaphragm Pump</b> |       |     |     |     |            |      |     |            |
| AR20LFP-GCI-12VDC  | 20.0  | 5.3 | 13  | 200 | 0.7        | 1450 | 45  | \$2,888.39 |
| AR25LFP-GCI-12VDC  | 24.3  | 6.4 | 10  | 150 | 0.7        | 1450 | 45  | \$2,953.63 |
| AR20LFP-GCI-24VDC  | 20.0  | 5.3 | 13  | 200 | 0.7        | 1450 | 45  | \$2,888.39 |
| AR25LFP-GCI-24VDC  | 24.3  | 6.4 | 10  | 150 | 0.7        | 1450 | 45  | \$2,953.63 |
| AR25LFP-EM115V   | 24.3  | 6.4 | 15  | 290 | 1.3        | 1725 | 45  | \$2,743.37 |

### DIAPHRAGM KITS

| MOD     | DESCRIPTION | LIST PRICE |
|---------|-------------|------------|
| AR46561 | BlueFlex™   | \$79.94    |
| AR46563 | Viton       | \$375.74   |

### OIL

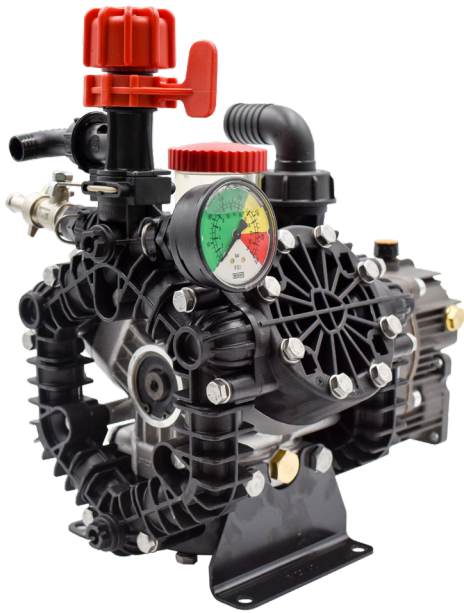
| MOD        | DESCRIPTION  | LIST PRICE |
|------------|--------------|------------|
| AR64532D   | Oil          | \$17.09    |
| AR64532D-C | Case (6) Oil | \$99.19    |

### VALVE KITS

| MOD     | DESCRIPTION   | LIST PRICE |
|---------|---------------|------------|
| AR46564 | Valves (AR20) | \$194.34   |
| AR46565 | Valves (AR25) | \$313.75   |

# AR45LFP

## SOFT WASH PUMP

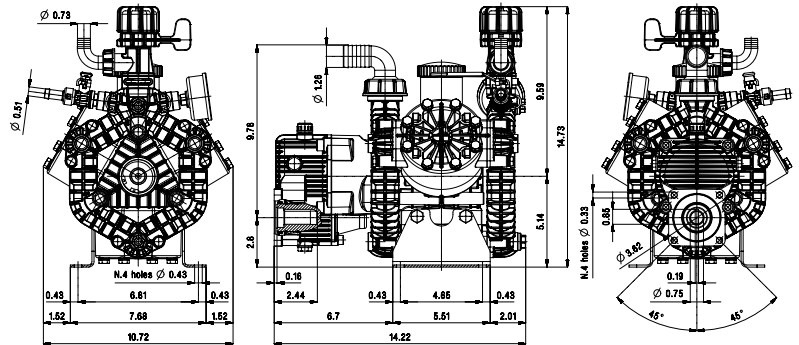


### Low Pressure

140° F - Max Water Temp  
 1 1/4" - Inlet  
 1/2" HB - Outlet



Viton  
 o-rings



## Liquid Fertilizer Pesticide

| MOD | MAX   | MAX |     | NET | LIST PRICE |     |     |    |
|-----|-------|-----|-----|-----|------------|-----|-----|----|
|     | l/min | gpm | bar | psi | hp         | rpm | lbs | \$ |

### AR45LFP 550rpm Semi-Hydraulic Three-Diaphragm Pump

|                |      |      |    |     |     |     |    |            |
|----------------|------|------|----|-----|-----|-----|----|------------|
| AR45LFP-GR-GCI | 43.3 | 11.4 | 20 | 290 | 2.1 | 550 | 40 | \$2,264.82 |
|----------------|------|------|----|-----|-----|-----|----|------------|

Model comes standard with Viton diaphragms  
 \*3/4" hollow shaft for direct-mount to gas engine

### DIAPHRAGM KITS

| MOD     | DESCRIPTION | LIST PRICE |
|---------|-------------|------------|
| AR43239 | BlueFlex™   | \$153.51   |
| AR43238 | Viton       | \$456.48   |

### OIL

| MOD        | DESCRIPTION  | LIST PRICE |
|------------|--------------|------------|
| AR64532D   | Oil          | \$17.09    |
| AR64532D-C | Case (6) Oil | \$99.19    |

### VALVE KITS

| MOD     | DESCRIPTION | LIST PRICE |
|---------|-------------|------------|
| AR42816 | Valves      | \$224.50   |

### O-RING KITS

| MOD     | DESCRIPTION | LIST PRICE |
|---------|-------------|------------|
| AR43081 | O-Rings     | \$85.03    |



# AR60LFP

## SOFT WASH PUMP

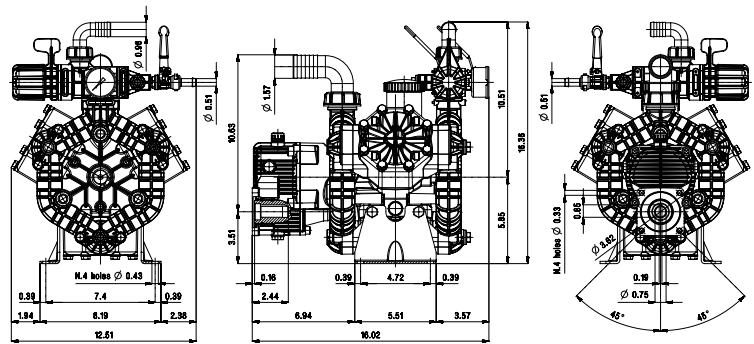


### Low Pressure

140° F - Max Water Temp  
 1-1/2" - Suction  
 1/2" HB - Outlet (2)



viton  
o-rings



## Liquid Fertilizer Pesticide

| MOD | MAX   | MAX |     | NET | LIST PRICE |     |     |    |
|-----|-------|-----|-----|-----|------------|-----|-----|----|
|     | l/min | gpm | bar | psi | hp         | rpm | lbs | \$ |

### AR60LFP 550rpm Semi-Hydraulic Three-Diaphragm Pump

|                |      |      |    |     |      |     |    |            |
|----------------|------|------|----|-----|------|-----|----|------------|
| AR60LFP-GR-GCI | 59.1 | 15.6 | 20 | 290 | 2.14 | 550 | 40 | \$2,813.66 |
|----------------|------|------|----|-----|------|-----|----|------------|

Model comes standard with Viton diaphragms  
 \*3/4" hollow shaft for direct-mount to gas engine

### DIAPHRAGM KITS

| MOD     | DESCRIPTION | LIST PRICE |
|---------|-------------|------------|
| AR43247 | BlueFlex™   | \$146.80   |
| AR43246 | Viton       | \$451.13   |

### VALVE KITS

| MOD     | DESCRIPTION | LIST PRICE |
|---------|-------------|------------|
| AR43138 | Valves      | \$461.82   |

### OIL

| MOD        | DESCRIPTION  | LIST PRICE |
|------------|--------------|------------|
| AR64532D   | Oil          | \$17.09    |
| AR64532D-C | Case (6) Oil | \$99.19    |

### O-RING KITS

| MOD     | DESCRIPTION | LIST PRICE |
|---------|-------------|------------|
| AR43128 | O-Rings     | \$141.11   |

# AR80LFP

## SOFT WASH PUMP

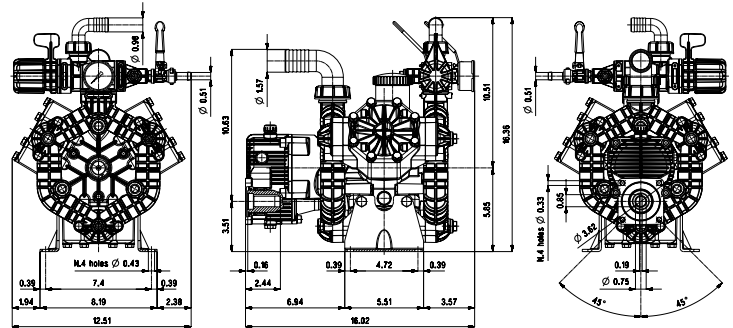


### Low Pressure

140° F - Max Water Temp  
 1 1/2" - Suction  
 1/2" HB - Outlet (2)



viton  
o-rings



## Liquid Fertilizer Pesticide

| MOD | MAX   | MAX |     | NET | LIST PRICE |     |     |    |
|-----|-------|-----|-----|-----|------------|-----|-----|----|
|     | l/min | gpm | bar | psi | hp         | rpm | lbs | \$ |

**AR80LFP** 550rpm Semi-Hydraulic Three-Diaphragm Pump

AR80LFP-GR-GCI 76.4 20.2 20 290 3.4 550 46 \$2,915.05

Model comes standard with Viton diaphragms  
 \*3/4" hollow shaft for direct-mount to gas engine

### DIAPHRAGM KITS

| MOD     | DESCRIPTION | LIST PRICE |
|---------|-------------|------------|
| AR43247 | BlueFlex™   | \$146.80   |
| AR43246 | Viton       | \$451.13   |

### OIL

| MOD        | DESCRIPTION  | LIST PRICE |
|------------|--------------|------------|
| AR64532D   | Oil          | \$17.09    |
| AR64532D-C | Case (6) Oil | \$99.19    |

### VALVE KITS

| MOD     | DESCRIPTION | LIST PRICE |
|---------|-------------|------------|
| AR43138 | Valves      | \$461.82   |

### O-RING KITS

| MOD     | DESCRIPTION | LIST PRICE |
|---------|-------------|------------|
| AR43128 | O-Rings     | \$141.11   |





# AGRICULTURE ACCESSORIES



## SPRAY GUNS



| MOD |  MAX |     | STD. NOZZLE SIZE | INLET | LENGTH | LIST PRICE |
|-----|---|-----|------------------|-------|--------|------------|
|     | psi   | gpm | mm               | in    | in     | \$         |

### Pistol Grip Adjustable Spray Guns

Features ergonomic grip for one-handed operation. Easy to adjust spray pattern from straight to wide cone using the thumb lever. Diffuser creates small droplets for complete spray coverage.

|          |             |     |    |     |                  |   |          |
|----------|-------------|-----|----|-----|------------------|---|----------|
| <b>a</b> | AGSG3000A * | 725 | 10 | 3.0 | 1/2" HB w/Swivel | - | \$160.91 |
| <b>b</b> | AGSG2000A * | 725 | 10 | 3.0 | 1/2" HB w/Swivel | - | \$216.11 |
| <b>c</b> | AGSG6000A   | 725 | 10 | 2.3 | 1/2" HB w/Swivel | - | \$264.50 |

### Pistol Grip Adjustable Spray Guns

Turbo Heavy Duty Metal Spray Guns feature ergonomic grip for one-handed operation. Used for spraying lawn, turf, ornamental bushes and trees. Easy to adjust spray pattern from straight to wide cone. Diffuser can be adjusted to create small droplets for complete spray coverage.

|          |           |     |    |     |                  |   |          |
|----------|-----------|-----|----|-----|------------------|---|----------|
| <b>d</b> | AGSG7000A | 725 | 10 | 3.0 | 1/2" HB w/Swivel | - | \$231.44 |
|----------|-----------|-----|----|-----|------------------|---|----------|

### AG No-Drip Adjustable Pattern Spray Guns

For heavy duty agricultural spraying with shutoff at the ceramic nozzle for no-drip spraying.

|          |              |     |   |     |                |     |          |
|----------|--------------|-----|---|-----|----------------|-----|----------|
| <b>e</b> | AG35.901.16  | 580 | 8 | 2.3 | 3/8" Hose Barb | 13" | \$144.68 |
| <b>f</b> | AG35.901.169 | 580 | 8 | 2.3 | 3/8" Hose Barb | 22" | \$160.17 |

### Long Range Adjustable Spray Gun

For spraying trees. Easy to adjust spray pattern from straight to wide cone using front control handle for complete tree and plant coverage.

|          |                   |     |    |     |                  |   |          |
|----------|-------------------|-----|----|-----|------------------|---|----------|
| <b>g</b> | AGSG-TURBINE *    | 870 | 24 | 3.0 | 1/2" HB w/Swivel | - | \$284.58 |
| <b>h</b> | AGSG-LR-TURBINE * | 870 | 30 | 4.0 | 1/2" HB w/Swivel | - | \$363.36 |

### Long Range Adjustable Spray Gun

NEW Turbine Evolution Heavy Duty Long Range Spray Gun for spraying orchards, vineyards, greenhouses and trees. Easy to adjust spray pattern from straight to wide cone using front control handle. Diffuser creates small droplets for complete plant coverage.


|          |             |     |    |     |                  |   |          |
|----------|-------------|-----|----|-----|------------------|---|----------|
| <b>i</b> | AGSG5500A * | 725 | 10 | 4.0 | 1/2" HB w/Swivel | - | \$386.84 |
|----------|-------------|-----|----|-----|------------------|---|----------|

### Long Range Adjustable Spray Gun

NEW Foam Spray Guns for fire fighting and high volume pressure washing. Easy to adjust spray pattern from straight to cone using front control handle. Diffuser creates small droplets for creating foam mist. Innovative servo-assisted trigger for easy operation.

|          |              |      |    |     |                      |   |          |
|----------|--------------|------|----|-----|----------------------|---|----------|
| <b>j</b> | AGSG-FOAM2 * | 3600 | 13 | 4.5 | 1/2" NPT(M) w/Swivel | - | \$729.59 |
|----------|--------------|------|----|-----|----------------------|---|----------|

\* - Additional nozzle sizes available

 - Braglia



**AR45LFP**



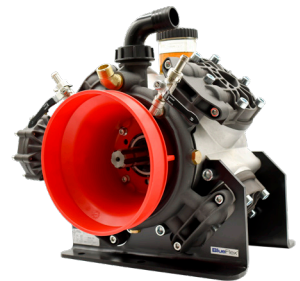
*Fertilization  
Agricultural  
Soft Wash*

**AR252**



*Turf & Lawn Care  
Pest Control  
Agricultural*

**BHA & BHS SERIES**



*Agricultural  
High Flow Cleaning  
Poultry Barn Cleaners  
Orchard Spray*





# BlueFlex, Heavy Duty & Long Life

Newly designed long-life diaphragms for resistance to spraying chemicals and aggressive liquid fertilizers.

## AR1053 & AR1203 SERIES



*High Flow Cleaning  
Orchard & Tree Spraying  
Agricultural*

## AR30 SERIES



*Turf & Lawn Care  
Agricultural  
Hydrostatic Testing & Pest Control*

## AR813 SERIES



*Tree Spraying  
Agricultural  
High Flow Cleaning*





# **HIGH PRESSURE ACCESSORY COMPONENTS**

# ACCESSORIES



## FLUIDS



| MOD  | DESCRIPTION  | LIST PRICE |
|--|--|------------|
| <b>Crankcase Oil</b><br>AR Pump Oil is specially formulated Crankcase Oil for High Pressure Pumps. Contains anti-wear inhibitor and deoxidizer additives.  |  |            |
| a AR64545  | Crankcase Oil - 4.5 oz (75W-90 Synthetic)<br>Use in Models: XJV, SJV, XJW, SJW, RMV, RMW, SRMW, RQV, & RXV | \$15.47    |
| b AR64545C   | Crankcase Oil Case - 4.5 oz - 24 per case<br>Use in Models: XJV, SJV, XJW, SJW, RMV, RMW, SRMW, RQV, & RXV | \$338.76   |
| c AR64516  | Crankcase Oil - 16 oz (30W SPL)<br>Use in all Triplex Plunger Pump Models                                  | \$15.80    |
| d AR64516C   | Crankcase Oil - 16 oz - 12 per case<br>Use in all Triplex Plunger Pump Models                              | \$189.59   |
| e AR645107   | Crankcase Oil - 1.07 Gal (75W-90 HL)<br>Use in Models: RTX, RTP, RTF, RTJ, RTD                             | \$183.60   |
| <b>Pump Saver</b><br>Designed to protect and prolong the life of the pump. This will keep the internal parts of the pump lubricated and protected from freezing while being stored in low climates. It also assists with protection from internal corrosion. |  |            |
| f AR64511  | Pump Saver - 16 oz Anti-Freeze Solution<br>Use in all Triplex Plunger Pump Models                          | \$21.36    |
| <b>Diaphragm Pump Oil</b><br>Specifically formulated for AR Pumps, providing advanced lubrication technology. BlueFlex® Diaphragm compatible.  |  |            |
| g AR64532D   | Diaphragm Pump Oil- 32 oz SAE 30 non-detergent oil   | \$17.09    |
| h AR64532D-C   | Diaphragm Pump Oil- 32 oz SAE 30 non-detergent oil - 6 per case  | \$99.19    |
| <b>Gear Lube</b><br>Specifically formulated for AR Gearboxes. Intended for heavy loads and operating conditions. Exceptional antiwear and EP properties. Recommended for splash lubrication of all types of enclosed gears.                                  |  |            |
| i AR64532GL  | Gear Lube - 32 oz SAE 80W-90   | \$39.46    |
| j AR64532GLC   | Gear Lube - 32 oz SAE 80W-90 - 6 per case  | \$236.73   |
| k ARCTW04  | Car and Truck Detergent  | \$18.95    |
| l ARCD004  | Cleaner & Degreaser Detergent  | \$16.95    |
| m ARDFW04  | Deck and Fence Detergent   | \$17.95    |



# ACCESSORIES

## RAIL KITS & VALVE CAPS



| MOD | HEIGHT | PUMP SERIES | LIST PRICE |
|-----|--------|-------------|------------|
|     | ft     |             | \$         |

### Rail Kits

Rail kits are designed for the N Version pumps. Heights are available from 3/8" up to 2-5/8". Also universal rail kits are available at 1-1/2" fits most pumps.

|          |                   |        |   |          |
|----------|-------------------|--------|---|----------|
| <b>a</b> | AR2729            | 5/8"   | SXM, XM, RK   | \$41.08  |
| <b>b</b> | AR2748            | 1-1/4" | SXW, XW, SHP, RW, RG  | \$26.67  |
| <b>c</b> | AR2748H           | 2-1/2" | SXW, XW, SHP, RW, RG  | \$74.62  |
| <b>d</b> | AR1836            | 3/8"   | XT  | \$26.67  |
| <b>e</b> | AR1836H           | 1-1/2" | XT  | \$35.18  |
| <b>f</b> | AR2633            | 1-3/4" | RK, XM, RC, RR  | \$35.18  |
| <b>g</b> | AR2633H           | 2-5/8" | RK, XM, RC, RR  | \$46.40  |
| <b>h</b> | U-BRACKET/KIT     | 1-1/2" | RK, XW, SXW, SHP, RW, RG Universal Bracket                          | \$76.14  |
| <b>i</b> | U-BRACKET/CW/KIT  | 2"     | Retrofit for CAT310 & 5CP Series Pumps...Same bolt mounting pattern | \$97.15  |
| <b>j</b> | U-BRACKET/RTX/KIT | 3"     | RTX   | \$268.21 |



**a-h**

| MOD | DESCRIPTION | LIST PRICE |
|-----|-------------|------------|
|-----|-------------|------------|

### Threaded Valve Cap

Threaded valve caps are used for connection of pressure gauges directly to the pump head to monitor pressure levels the pump is developing.

|          |            |   |         |
|----------|------------|---|---------|
| <b>a</b> | AR1260162T | SJV, XT, XM series 1/4" NPT TAP Brass           | \$14.16 |
| <b>b</b> | AR1260163  | SJV, XT, XM series 1/8" NPT TAP Brass           | \$23.78 |
| <b>c</b> | AR960090T  | RK series 1/4" TAP Brass                        | \$27.31 |
| <b>d</b> | AR1941970  | XW series 1/4" NPT TAP Brass                    | \$33.99 |
| <b>e</b> | AR960850T  | RK series 1/4" NPT TAP 303 Stainless Steel      | \$43.08 |
| <b>f</b> | AR3201430  | RC series 1/8" NPT TAP Brass                    | \$36.09 |
| <b>g</b> | AR961440   | RG Valve Cap, 1/4" threaded - Brass (40 ft/lbs) | \$25.07 |
| <b>h</b> | AR1381340  | RG Valve Cap, 1/4" threaded - H                 | \$22.45 |



## CLUTCHES & GEAR BOXES



**b**



**c**

| MOD  | DESCRIPTION  | LIST PRICE |
|--|--|------------|
| <b>Electric Clutch - XM, RK, RW, RC, RR &amp; XW Series</b>  |  |            |
| The Electric Clutch enables operation of the drive system for your pump without the pump itself being engaged. There can be significant reduction in wear and tear on the pump since it is only operating when called for. |  |            |
| <b>a</b>   | CL-539508 12 Volt single groove clutch ... 24mm x 7" (for "A" section belts) | \$821.28   |
| <b>b</b>   | CL-522850 12 Volt double groove clutch ... 24mm x 7" (for "A" section belts) | \$804.77   |
| <b>c</b>   | AR-ECMP Clutch mounting plate  | \$31.58    |
| <b>d</b>   | AR-ECMP-RG Kit for RG: Clutch mounting plate (includes bolts)                | \$71.06    |
| <b>e</b>   | AR-ECMP-RK Kit for RK: Clutch mounting plate (includes bolts)                | \$71.06    |
| <b>f</b>   | AR-ECMP-XM Kit for XM: Clutch mounting plate (includes bolts)                | \$37.06    |
| <b>g</b>   | AR-ECMP-XT Kit for XT, RC, RR: Clutch mounting plate (includes bolts)        | \$37.06    |
| <b>h</b>   | AR-ECMP-XW Kit for XW, SXW, SHP: Clutch mounting plate (includes bolts)      | \$71.06    |



**a**



**b-f**



**i-k**

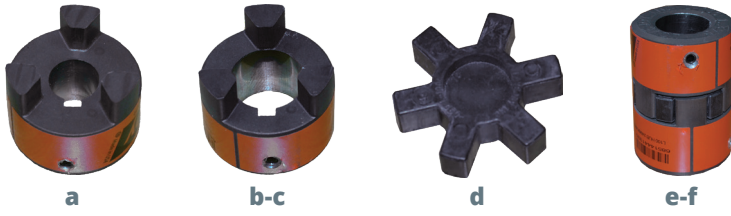
| MOD  | DESCRIPTION  | LIST PRICE |
|--|--|------------|
| <b>Gear Boxes - RK, XM &amp; XW Series Pumps</b>   |  |            |
| Gear boxes designed to safely connect pumps and power supplies that operate at different speeds. Gear boxes fit into 1" and 1-1/8" shafts. They feature on SAEJ609A flange for proper connections. |  |            |
| <b>a</b>   | AR1691 RG/RK / XM Series 1:2:24 Reduction box for 3/4" shaft SAEJ609a flange (1450 RPM Pump) (Short Shaft 30mm)      | \$486.40   |
| <b>b</b>   | AR1689 RG/RK/XM Series 1:2.24 Reduction box for 1" shaft SAEJ609a flange (1450 RPM Pump) (Short Shaft 30mm)          | \$451.48   |
| <b>c</b>   | AR1690 RGA/RKA/XMA Series 1:2 Reduction box for 1" shaft SAEJ609a flange (1750 RPM Pump) (Short Shaft 30mm)          | \$451.48   |
| <b>d</b>   | AR1697 XWA/RKA/RR Series 1:2 Reduction box for 1" shaft SAEJ609a flange (1750 RPM Pump) (Long Shaft 45mm)            | \$499.64   |
| <b>e</b>   | AR1698 XW/RK Series 1:2.24 Reduction box for 1" shaft SAEJ609a flange (1450 RPM Pump) (Long Shaft 45mm)              | \$499.64   |
| <b>f</b>   | AR1670 XWA Series 1:2 Reduction box for 1-1/8" shaft SAEJ609a flange (1750 RPM Pump) (XWA only) (Long Shaft 45mm)    | \$595.96   |
| <b>g</b>   | AR1600 RK/XW/SXW Series 1:2.24 Reduction box for 1" shaft SAEJ609a flange (1450 RPM Pump) (Either Shaft)             | \$912.08   |
| <b>h</b>   | AR1601 RK/XW/SXW Series 1:2.24 Reduction box for 1-1/8" shaft SAEJ609a flange (1450 RPM Pump) (Either Shaft)         | \$926.44   |
| <b>i</b>   | AR28687 RTD/CR Series 1:1.5 Reduction box for 1.57" shaft (1000 RPM Pump) 75 HP (35mm shaft)                         | \$3,123.60 |
| <b>j</b>   | AR28688 RTD/CR Series 1:1.86 Reduction box for 1.57" shaft (1000 RPM Pump) 75 HP (35mm shaft)                        | \$3,123.60 |
| <b>k</b>   | AR28689 RTD/CR Series 1:2.22 Reduction box for 1.57" shaft (1000 RPM Pump) 75 HP (35mm shaft)                        | \$3,123.60 |
| <b>l</b>   | AR51974-RTX RTX Series 1:2.176 Reduction box for 1-1/8" shaft 609-B flange (3400 RPM; 1450) (Short Shaft 30mm) 31 HP | \$1,190.45 |





# ACCESSORIES

## COUPLINGS



| MOD              | DESCRIPTION                             | LIST PRICE |
|------------------|---|------------|
| <b>Couplings</b> |   |            |
| a                | LJ10024M 24mm coupler                   | \$179.86   |
| b                | LJ100138 1-3/8" coupler                 | \$169.20   |
| c                | LJ100118 1-1/8" coupler                 | \$134.42   |
| d                | LJ100SOX Coupler insert                 | \$97.57    |
| e                | LJ-L10011824 Complete 1-1/8" x 24mm set | \$281.85   |
| f                | LJ-L10013824 Complete 1-3/8" x 24mm set | \$287.65   |



| MOD  | DESCRIPTION  | LIST PRICE |
|--|--|------------|
| <b>Flanges/Couplings - RK, RW, XM &amp; XW Series</b>  |  |            |
| Flanges and Coupling Sets are designed for safely connecting 24mm solid shafted pumps to electric motors which turns at the same speed. Coupling kits are available for connecting either 1-1/8" or 1-3/8" electric motor shafts to the pump. The mounting flange is used to mechanically connect the pump and motor to reduce vibration, and keep them in proper alignment. |  |            |
| a  | AR1588 F14 ... Nema 182-184 bell housing and flexible coupling set (24mm x 1-1/8")               | \$307.00   |
| b  | AR1588-L F14 ... Flange Kit - XW, SXW, RG Series   | \$381.49   |
| c  | AR1588-LJ F14 ... Nema 182-184 bell housing and coupling set (LJ 1-1/8" x 24mm)                  | \$693.82   |
| d  | AR1589 F15 ... Nema 213-215 bell housing and flexible coupling set (24mm x 1-3/8")               | \$307.00   |
| e  | AR1589-L F15 ... Flange Kit - XW, SXW, RG Series   | \$477.57   |
| f  | AR1589-LJ F15 ... Nema 213-215 bell housing and coupling set (LJ 1-3/8" x 24mm)                  | \$693.82   |
| g  | AR1380490 Bell housing for F14 and F15   | \$126.41   |
| h  | AR1380490-L Bell housing for XW, SXW, RG Series  | \$494.49   |
| i  | AR1380490-G Bell housing for RC, RR Series   | \$173.07   |
| j  | AR1380301 Coupling kit, pump side for F14 and F15  | \$86.59    |
| k  | AR1380331 Coupling kit, motor side for F14 (1-1/8") includes couplings, bushings, and set screws | \$64.53    |
| l  | AR1380351 Coupling kit, motor side for F15 (1-3/8") includes couplings, bushings, and set screws | \$67.75    |



## THERMAL VALVES



| MOD |  MAX<br>psi |  MAX<br>gpm | INLET<br>in | OUTLET<br>mm | MAX TEMP<br>° F | LIST PRICE<br>\$ |
|-----|--|--|-------------|--------------|-----------------|------------------|
|-----|--|--|-------------|--------------|-----------------|------------------|

### Thermal Relief Valves

Mounted into the low pressure side of the pump manifold and will vent when water temperatures exceed for valve's specifications. This protects the pump from thermal shock and overheating.

|          |          |     |   |        |       |        |         |
|----------|----------|-----|---|--------|-------|--------|---------|
| <b>a</b> | MV610-12 | 145 | 8 | 1/2" M | 4mm   | 140° F | \$43.67 |
| <b>b</b> | MV610-38 | 145 | 8 | 3/8" M | 4mm   | 140° F | \$47.22 |
| <b>c</b> | ML610-12 | 145 | 8 | 1/2" M | 7.5mm | 140° F | \$26.79 |
| <b>d</b> | ML610-38 | 145 | 4 | 3/8" M | 7.5mm | 140° F | \$26.79 |
| <b>e</b> | ML610-14 | 145 | 4 | 1/4" M | 7.5mm | 140° F | \$32.40 |



**Spray Diverter Cap**  
Included with TPP140 thermal relief valves

| MOD |  MAX<br>psi | INLET<br>in | MAX TEMP<br>° F | LIST PRICE<br>\$ |
|-----|--|-------------|-----------------|------------------|
|-----|--|-------------|-----------------|------------------|

### Thermal Relief Valves

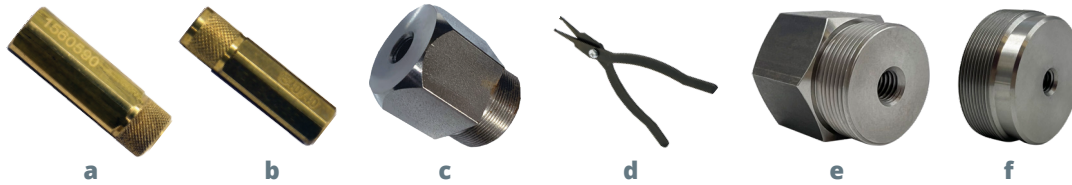
The TPP140 Thermal Relief Valve Series are mounted into the low pressure side of the pump manifold and will vent when water temperatures exceed for valve's specifications. This protects the pump from thermal shock and overheating.

|          |             |     |        |        |         |
|----------|-------------|-----|--------|--------|---------|
| <b>a</b> | TPP140      | 200 | 1/2" M | 140° F | \$19.00 |
| <b>b</b> | TPP140-3/8  | 200 | 3/8" M | 140° F | \$19.00 |
| <b>c</b> | TPP140-1/4A | 200 | 1/4" M | 140° F | \$8.73  |

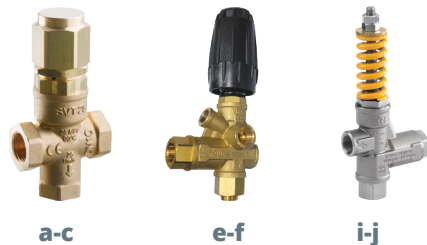


# ACCESSORIES

## TOOLS & REGULATORS



| MOD   | DESCRIPTION   | LIST PRICE |
|---|---|------------|
| <b>Tools</b>  |   |            |
| Tools are designed for adjusting the Mini-matic and Gymatic unloaders, and rear piston guide extracting tool for the XW series pumps. |   |            |
| a   | AR1560590 Adjusting Gymatic Unloader Nut Holder   | \$61.04    |
| b   | AR1540740 Adjusting Mini-Matic Unloader Nut Holder                                      | \$42.16    |
| c   | AR980069 XW Series pumps Rear Piston Guide Extractor - Thread size: 30mm Øx1.00mm Pitch | \$181.98   |
| d   | AR2761490 Pliers for removing valves, piston guides and water seals.                    | \$63.41    |
| e   | AR4182760 RTD Guide Removal Tool  | \$355.38   |
| f   | AR980070 RTD Seal Guide Extractor   | \$204.61   |





| MOD                           | SPRING/CAP COLOR | MAX<br>psi                      | MAX<br>gpm | INLET<br>in | OUTLET<br>in | BY-PASS | MAX TEMP<br>° F | LIST PRICE<br>\$ |          |
|-------------------------------|------------------|---------------------------------|------------|-------------|--------------|---------|-----------------|------------------|----------|
| <b>SVT</b>                    |                  |                                 |            |             |              |         |                 |                  |          |
| a                             | SVT17            | -                               | 2,400      | 6.6         | 2 x 3/8" F   | 3/8" F  | -               | 194°             | \$68.81  |
| b                             | SVT28            | -                               | 4,040      | 6.6         | 2 x 3/8" F   | 3/8" F  | -               | 194°             | \$69.76  |
| c                             | SVT40            | -                               | 5,800      | 6.6         | 2 x 3/8" F   | 3/8" F  | -               | 194°             | \$116.62 |
| d                             | ML4079900012     | Repair Kit for SVT17 / SVT28    |            |             |              |         |                 |                  | \$23.26  |
| <b>VRT</b>                    |                  |                                 |            |             |              |         |                 |                  |          |
| e                             | VRT3R-160        | Yellow                          | 2,320      | 10.5        | 2 x 3/8" F   | 3/8" F  | 2 x 3/8" F      | 194° F           | \$106.27 |
| f                             | VRT3R-310        | Black                           | 4,500      | 10.5        | 2 x 3/8" F   | 3/8" F  | 2 x 3/8" F      | 194° F           | \$106.27 |
| g                             | ML4079900096     | Repair Kit for VRT3R-160 Series |            |             |              |         |                 |                  | \$21.36  |
| h                             | ML4079900097     | Repair Kit for VRT3R-310 Series |            |             |              |         |                 |                  | \$21.36  |
| <b>VXR3 - Stainless Steel</b> |                  |                                 |            |             |              |         |                 |                  |          |
| i                             | VXR3-180         | Yellow                          | 2,600      | 8           | 3/8" F       | 3/8" F  | -               | 194°             | \$763.69 |
| j                             | VXR3-310         | Yellow                          | 4,500      | 8           | 3/8" F       | 3/8" F  | -               | 194°             | \$763.69 |
| k                             | ML4079900028     | Repair Kit                      |            |             |              |         |                 |                  | \$27.74  |



## VALVES: SAFETY, RELIEF, POP-OFF



| MOD                               |  MAX<br>psi |  MAX<br>gpm | INLET<br>in | OUTLET<br>in | BY-PASS | MAX TEMP<br>° F | LIST PRICE<br>\$ |
|-----------------------------------|--|--|-------------|--------------|---------|-----------------|------------------|
| <b>VB200 Unloader Valve</b>       |  |  |             |              |         |                 |                  |
| <b>a</b> AR51107                  | 2,465  | 53   | 1" F        | 1" F         | 1" F    | 194° F          | \$776.91         |
| <b>VLP Pop Off Safety Valve</b>   |  |  |             |              |         |                 |                  |
| <b>b</b> VLP8-12                  | 4,060  | 2.1-3.2  | 1/4" M      | Ø 16mm       | -       | 230° F          | \$29.98          |
| <b>c</b> VLP12-17                 | 4,060  | 3.2-4.5  | 1/4" M      | Ø 16mm       | -       | 230° F          | \$29.98          |
| <b>d</b> VLP17.21                 | 4,060  | 4.5-5.6  | 1/4" M      | Ø 16mm       | -       | 230° F          | \$29.98          |
| <b>SVL Relief Valve</b>           |  |  |             |              |         |                 |                  |
| <b>e</b> SVL17                    | 2,400  | 6.6  | 3/8" F      | 3/8" F       | -       | 194° F          | \$64.92          |
| <b>f</b> SVL28                    | 4,060  | 6.6  | 3/8" F      | 3/8" F       | -       | 194° F          | \$75.43          |
| <b>g</b> SVL50                    | 8,100  | 26.4   | 1/2" F      | 1/2" F       | -       | 194° F          | \$441.89         |
| <b>h</b> SVL60 *                  | 9,570  | 26.4   | 3/8" F      | 1/2" F       | -       | 194° F          | \$781.01         |
| <b>i</b> SVL70                    | 10,450   | 16   | 3/8" F      | 1/2" F       | -       | 194° F          | \$627.94         |
| <b>j</b> SVL80                    | 13,050   | 16   | 3/8" F      | 1/2" F       | -       | 194° F          | \$733.00         |
| <b>k</b> SVL20/250                | 2,900  | 6.6  | 3/4" F      | -            | 3/4" F  | 194° F          | \$285.65         |
| <b>l</b> SVL22/450                | 2,900  | 120  | 1" F        | -            | 1" F    | 194° F          | \$1,421.50       |
| <b>m</b> SVL33/450                | 4,350  | 120  | 1" F        | -            | 1" F    | 194° F          | \$1,421.50       |
| <b>n</b> ML4079900012             | Repair Kit for SVL17 / SVL28   |  |             |              |         |                 | \$23.26          |
| <b>o</b> ML4079900033             | Repair Kit for SVL70   |  |             |              |         |                 | \$71.42          |
| <b>SVX Relief Valve</b>           |  |  |             |              |         |                 |                  |
| <b>p</b> SVX-310 *                | 4,500  | 8  | 3/8" F      | 3/8" F       | -       | 194° F          | \$598.67         |
| <b>q</b> ML4079900029             | Repair Kit   |  |             |              |         |                 | \$23.26          |
| <b>High Pressure Relief Valve</b> |  |  |             |              |         |                 |                  |
| <b>r</b> AR40398 (VRP600)         | 8,700  | 21   | 1/2" F      | -            | 1/2" F  | 195° F          | \$1,008.41       |
| <b>s</b> AR40399 (VS500)          | 8,100  | 21   | 1/2" F      | -            | 3/8" F  | 195° F          | \$637.23         |

\* = Stainless Steel





# ACCESSORIES

## UNLOADERS - BOLT ON / INTERNAL BYPASS



**a**



**f**



**g-h**



**i-j**



**k, n**



**l, o, p**



**m, q, r**

| MOD | INJECTOR | SIZE |  MAX<br>psi |  MAX<br>gpm | INLET<br>in | OUTLET<br>in | BYPASS | ID STAMP | MAX TEMP<br>° F | LIST PRICE<br>\$ |
|-----|----------|------|--|--|-------------|--------------|--------|----------|-----------------|------------------|
|-----|----------|------|--|--|-------------|--------------|--------|----------|-----------------|------------------|

### VRC-B - RC Series Unloader Valve

|          |         |             |   |       |   |            |            |          |   |   |          |
|----------|---------|-------------|---|-------|---|------------|------------|----------|---|---|----------|
| <b>a</b> | AR23504 | -           | - | 2,600 | 4 | 3/8" F NPT | 3/8" M NPT | Aluminum | - | - | \$153.72 |
| <b>b</b> | AR23505 | Fixed       | - | 2,600 | 4 | 3/8" F NPT | 3/8" M NPT | Aluminum | - | - | \$141.25 |
| <b>c</b> | AR23506 | Adjustable  | - | 2,600 | 4 | 3/8" F NPT | 3/8" M NPT | Aluminum | - | - | \$159.66 |
| <b>d</b> | AR42584 | O-Rings Kit |   |       |   |            |            |          |   |   | \$6.51   |
| <b>e</b> | AR2572  | Bolt Kit    |   |       |   |            |            |          |   |   | \$26.85  |

### VRZ - RR Series Unloader Valve

|          |         |            |     |       |  |            |            |          |   |   |          |
|----------|---------|------------|-----|-------|--|------------|------------|----------|---|---|----------|
| <b>f</b> | AR24669 | -          | -   | 3,600 |  | 3/8" F NPT | 3/8" M NPT | Aluminum | - | - | \$179.04 |
| <b>g</b> | AR24591 | Fixed      | 2.0 | 3,600 |  | 3/8" F NPT | 3/8" M NPT | Aluminum | - | - | \$186.70 |
| <b>h</b> | AR24670 | Fixed      | 2.2 | 3,600 |  | 3/8" F NPT | 3/8" M NPT | Aluminum | - | - | \$169.74 |
| <b>i</b> | AR24671 | Adjustable | 2.0 | 3,600 |  | 3/8" F NPT | 3/8" M NPT | Aluminum | - | - | \$182.96 |
| <b>j</b> | AR24672 | Adjustable | 2.2 | 3,600 |  | 3/8" F NPT | 3/8" M NPT | Aluminum | - | - | \$182.96 |

### Mini-Matic 4/B - RC, XT & XM Series Unloader Valve

|          |         |              |     |       |     |        |        |          |   |   |          |
|----------|---------|--------------|-----|-------|-----|--------|--------|----------|---|---|----------|
| <b>k</b> | AR20821 | -            | -   | 2,600 | 2-5 | 1/2" F | 3/8" M | Aluminum | - | - | \$152.74 |
| <b>l</b> | AR20888 | Fixed        | 1.8 | 2,600 | 2-3 | 1/2" F | 3/8" M | Aluminum | 1 | - | \$161.48 |
| <b>m</b> | AR20890 | Adjustable   | 2.0 | 2,600 | 2-3 | 1/2" F | 3/8" M | Aluminum | 2 | - | \$175.17 |
| <b>n</b> | AR21036 | -            | -   | 2,600 | 2-5 | 1/2" F | 3/8" M | Brass    | - | - | \$161.48 |
| <b>o</b> | AR21037 | Fixed        | 2.0 | 2,600 | 2-3 | 1/2" F | 3/8" M | Brass    | 2 | - | \$170.08 |
| <b>p</b> | AR21038 | Fixed        | 2.2 | 2,600 | 2-4 | 1/2" F | 3/8" M | Brass    | 3 | - | \$170.08 |
| <b>q</b> | AR21039 | Adjustable   | 2.0 | 2,600 | 2-3 | 1/2" F | 3/8" M | Brass    | 2 | - | \$181.89 |
| <b>r</b> | AR21040 | Adjustable   | 2.2 | 2,600 | 2-4 | 1/2" F | 3/8" M | Brass    | 3 | - | \$181.89 |
| <b>s</b> | AR2858  | Unloader Kit |     |       |     |        |        |          |   |   | \$118.61 |
| <b>t</b> | AR2572  | Bolts Kit    |     |       |     |        |        |          |   |   | \$26.85  |
| <b>u</b> | AR2812  | O-Rings Kit  |     |       |     |        |        |          |   |   | \$9.74   |



## UNLOADERS - BOLT ON / INTERNAL BYPASS



| MOD | INJECTOR | SIZE | MAX<br>psi | MAX<br>gpm | INLET<br>in | OUTLET<br>in | BY-PASS | ID STAMP | MAX TEMP<br>° F | LIST PRICE<br>\$ |
|-----|----------|------|------------|------------|-------------|--------------|---------|----------|-----------------|------------------|
|-----|----------|------|------------|------------|-------------|--------------|---------|----------|-----------------|------------------|

### Gymatic 3/B - RR, XM & RK Series Unloader Valve and By-Pass

|          |          |             |     |       |       |              |            |       |   |   |          |
|----------|----------|-------------|-----|-------|-------|--------------|------------|-------|---|---|----------|
| <b>a</b> | AR20242  | -           | -   | 3,650 | 3-5.5 | 1/2" F       | 3/8" M     | Brass | - | - | \$187.09 |
| <b>b</b> | AR20242G | -           | -   | 3,650 | 3-5.5 | GHT & Filter | 3/8" M     | Brass | - | - | \$197.48 |
| <b>c</b> | AR20081  | Fixed       | 1.8 | 3,650 | 3-4   | 1/2" M       | 3/8" M     | Brass | 1 | - | \$199.12 |
| <b>d</b> | AR20082  | Fixed       | 2.0 | 3,650 | 4-5.5 | 1/2" M       | 3/8" M     | Brass | 2 | - | \$199.12 |
| <b>e</b> | AR20399  | Adjustable  | 1.8 | 3,650 | 3-4   | 1/2" M       | 3/8" M     | Brass | 1 | - | \$211.16 |
| <b>f</b> | AR20400  | Adjustable  | 2.0 | 3,650 | 4-5.5 | 1/2" F       | 3/8" M     | Brass | 2 | - | \$211.16 |
| <b>g</b> | AR20480  | -           | -   | 3,650 | 3-5.5 | 1/2" M NPT   | 3/8" M NPT | Brass | - | - | \$221.54 |
| <b>h</b> | AR2119   | Bolts Kit   |     |       |       |              |            |       |   |   | \$68.92  |
| <b>i</b> | AR2611   | O-Rings Kit |     |       |       |              |            |       |   |   | \$33.35  |

### Gymatic VR35 3/B - RR, XM & RK Series Unloader Valve and By-Pass

|          |         |              |     |       |   |        |            |       |   |   |          |
|----------|---------|--------------|-----|-------|---|--------|------------|-------|---|---|----------|
| <b>j</b> | AR21669 | -            | -   | 4,000 | 5 | 1/2" M | 3/8" M NPT | Brass | - | - | \$214.59 |
| <b>k</b> | AR20992 | -            | -   | 4,000 | 5 | 1/2" F | 3/8" M     | Brass | - | - | \$208.33 |
| <b>l</b> | AR22206 | Fixed        | 2.0 | 4,000 | 5 | 1/2" M | 3/8" M NPT | Brass | - | - | \$226.63 |
| <b>m</b> | AR22287 | Adjustable   | 2.0 | 4,000 | 5 | 1/2" F | 3/8" M     | Brass | - | - | \$238.66 |
| <b>n</b> | AR2129  | Unloader Kit |     |       |   |        |            |       |   |   | \$116.97 |
| <b>o</b> | AR2121  | Bolts Kit    |     |       |   |        |            |       |   |   | \$30.68  |
| <b>p</b> | AR2505  | O-Rings Kit  |     |       |   |        |            |       |   |   | \$35.54  |

### Gymatic XW - XW Series Unloader Valve and By-Pass

|          |         |             |     |       |   |        |        |       |   |   |          |
|----------|---------|-------------|-----|-------|---|--------|--------|-------|---|---|----------|
| <b>q</b> | AR20802 | -           | -   | 3,650 | 9 | 3/4" F | 3/8" M | Brass | - | - | \$213.36 |
| <b>r</b> | AR20758 | -           | -   | 3,650 | 9 | 1/2" F | 3/8" M | Brass | - | - | \$197.48 |
| <b>s</b> | AR20759 | Fixed       | 3.0 | 3,650 | 9 | 1/2" F | 3/8" M | Brass | 2 | - | \$221.54 |
| <b>t</b> | AR2611  | O-Rings Kit |     |       |   |        |        |       |   |   | \$33.35  |



# ACCESSORIES

## UNLOADERS



a, b, g



c, h



i



e



f



o, s



n, q



p



q, t

| MOD | SPRING COLOR | KNOB |  MAX<br>psi |  MAX<br>gpm | INLET<br>in | OUTLET<br>in | BY-PASS | MAX TEMP<br>° F | LIST PRICE<br>\$ |
|-----|--------------|------|--|--|-------------|--------------|---------|-----------------|------------------|
|-----|--------------|------|--|--|-------------|--------------|---------|-----------------|------------------|

### VRT3 Unloader

|          |              |                                    |     |       |      |            |        |            |        |          |
|----------|--------------|------------------------------------|-----|-------|------|------------|--------|------------|--------|----------|
| <b>a</b> | VRT3-160     | Yellow                             | Yes | 2,320 | 10.5 | 2 x 3/8" F | 3/8" F | 2 x 3/8" F | 194° F | \$93.84  |
| <b>b</b> | VRT3-250     | Blue                               | Yes | 3,650 | 10.5 | 2 x 3/8" F | 3/8" F | 2 x 3/8" F | 194° F | \$93.84  |
| <b>c</b> | VRT3-250A    | Blue                               | No  | 3,650 | 10.5 | 2 x 3/8" F | 3/8" F | 2 x 3/8" F | 194° F | \$90.65  |
| <b>d</b> | VRT3-250EZ * | Blue                               | Yes | 3,650 | 10.5 | 2 x 3/8" F | 3/8" F | 2 x 3/8" F | 194° F | \$95.13  |
| <b>e</b> | VRT3-250H    | Blue                               | Yes | 3,650 | 10.5 | 2 x 3/8" F | 3/8" F | 2 x 3/8" F | 194° F | \$192.88 |
| <b>f</b> | VRT3R-250    | Blue                               | Yes | 3,650 | 10.5 | 2 x 3/8" F | 3/8" F | 2 x 3/8" F | 194° F | \$95.60  |
| <b>g</b> | VRT3-310     | Black                              | Yes | 4,500 | 10.5 | 2 x 3/8" F | 3/8" F | 2 x 3/8" F | 194° F | \$93.84  |
| <b>h</b> | VRT3-310A    | Black                              | No  | 4,500 | 10.5 | 2 x 3/8" F | 3/8" F | 2 x 3/8" F | 194° F | \$90.65  |
| <b>i</b> | VRT3-310AM   | Black                              | No  | 4,500 | 10.5 | 2 x 3/8" F | 3/8" M | 2 x 3/8" F | 194° F | \$94.10  |
| <b>j</b> | VRT3-310EZ * | Black                              | Yes | 4,500 | 10.5 | 1 x 3/8" F | 3/8" F | 2 x 3/8" F | 194° F | \$95.13  |
| <b>k</b> | ML4079900008 | Repair Kit for VRT3-160/250 Series |     |       |      |            |        |            |        | \$26.79  |
| <b>l</b> | ML4079900004 | Repair Kit for VRT3-250 Series     |     |       |      |            |        |            |        | \$20.35  |
| <b>m</b> | ML4079900005 | Repair Kit for VRT3-310 Series     |     |       |      |            |        |            |        | \$21.20  |

**A** = No Knob **M** = Male Outlet **R** = Gauge Port **H** = Nickel Plated  
**EZ \*** = Easy Start Valve

### VRT100 Unloader



|          |                   |                                     |     |       |      |            |            |            |        |          |
|----------|-------------------|-------------------------------------|-----|-------|------|------------|------------|------------|--------|----------|
| <b>n</b> | VRT100-190        | Yellow                              | No  | 2,790 | 26.4 | 1/2" NPT F | 1/2" NPT F | 1/2" NPT F | 194° F | \$258.86 |
| <b>o</b> | VRT100-190K       | Yellow                              | Yes | 2,790 | 26.4 | 1/2" NPT F | 1/2" NPT F | 1/2" NPT F | 194° F | \$270.89 |
| <b>p</b> | VRT100-190H *     | Yellow/NP                           | No  | 2,790 | 26.4 | 1/2" NPT F | 1/2" NPT F | 1/2" NPT F | 194° F | \$319.05 |
| <b>q</b> | VRT100-190D       | Yellow                              | No  | 2,790 | 26.4 | 1/2" NPT F | 1/2" NPT F | 1/2" NPT F | 194° F | \$282.92 |
| <b>r</b> | VRT100-330        | Blue                                | No  | 4,800 | 26.4 | 1/2" NPT F | 1/2" NPT F | 1/2" NPT F | 194° F | \$258.86 |
| <b>s</b> | VRT100-330K       | Blue                                | Yes | 4,800 | 26.4 | 1/2" NPT F | 1/2" NPT F | 1/2" NPT F | 194° F | \$270.89 |
| <b>t</b> | VRT100-330D       | Blue                                | No  | 4,800 | 26.4 | 1/2" NPT F | 1/2" NPT F | 1/2" NPT F | 194° F | \$276.91 |
| <b>u</b> | VRT100-330D-SS ** | Blue                                | No  | 4,800 | 26.4 | 1/2" NPT F | 1/2" NPT F | 1/2" NPT F | 194° F | \$314.73 |
| <b>v</b> | ML4079900031      | Repair Kit for VRT100 -190K Series  |     |       |      |            |            |            |        | \$47.33  |
| <b>w</b> | ML4079900013      | Repair Kit for VRT100 - 330K Series |     |       |      |            |            |            |        | \$52.15  |

**K** = Knob **D** = Double Bypass Port **H** = Nickel Plated  
 \* = Available / white spring - 1500 PSI \*\* = Stainless Steel Outlet



## UNLOADERS



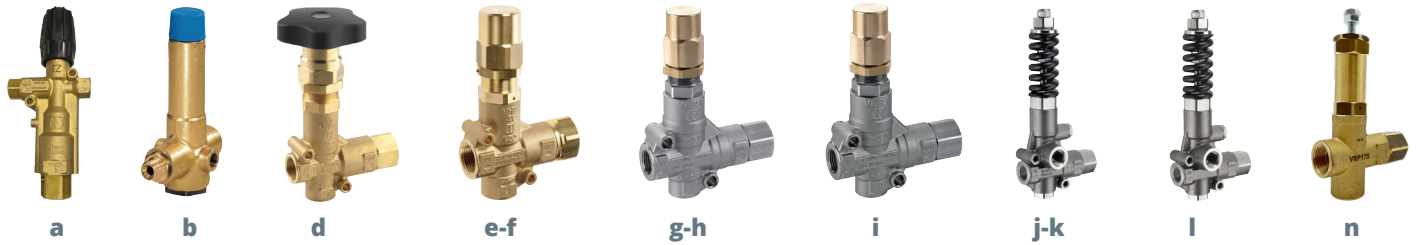
| MOD   | SPRING/CAP COLOR | GAUGE PORT    |  MAX<br>psi |  MAX<br>gpm | INLET<br>in | OUTLET<br>mm | BY-PASS    | MAX TEMP<br>° F | LIST PRICE<br>\$ |          |
|---|------------------|---------------|--|--|-------------|--------------|------------|-----------------|------------------|----------|
| <b>VRC25 - Pressure Compensating Unloader</b> |                  |               |  |  |             |              |            |                 |                  |          |
| a   | VRC25            | -             | -  | 3,650  | 8           | 2 x 3/8" F   | 3/8" F     | 1/4" F          | 194° F           | \$141.29 |
| <b>VHP39 Unloader</b>                         |                  |               |  |  |             |              |            |                 |                  |          |
| b   | VHP39            | -             | -  | 5,560  | 11          | 1 x 3/8" F   | 3/8" F     | 2 x 3/8" F      | 190° F           | \$234.65 |
| c   | VHP39-EZ*        | -             | -  | 5,560  | 11          | 1 x 3/8" F   | 3/8" F     | 2 x 3/8" F      | 190° F           | \$234.65 |
| d   | ML407990009      | Repair Kit    |  |  |             |              |            |                 |                  | \$42.58  |
| <b>VR35 Unloader</b>                          |                  |               |  |  |             |              |            |                 |                  |          |
| e   | AR20831          | -             | -  | 5,100  | 8           | 3/8" F       | 3/8" M     | 3/8" F          | 190° F           | \$300.28 |
| f   | AR2129           | Unloader Kit  |  |  |             |              |            |                 |                  | \$116.97 |
| g   | AR2876           | O-Ring Kit    |  |  |             |              |            |                 |                  | \$17.78  |
| <b>VRS3 Unloader</b>                          |                  |               |  |  |             |              |            |                 |                  |          |
| h   | VRS3-190         | Yellow Spring | -  | 2,750  | 8           | 3/8" F       | 3/8" M     | 3/8" F          | 194° F           | \$127.75 |
| i   | VRS3-250         | Blue Spring   | -  | 3,630  | 8           | 3/8" F       | 3/8" M     | 3/8" F          | 194° F           | \$126.41 |
| j   | ML407990004      | Repair Kit    |  |  |             |              |            |                 |                  | \$20.35  |
| <b>VR56-250 Unloader</b>                      |                  |               |  |  |             |              |            |                 |                  |          |
| k   | VR56-250         | -             | 1/4" NPT F   | 3,624  | 8           | 3/8" M       | 3/8" F     | 3/8" F          | 194° F           | \$85.69  |
| l   | VR56-250M        | -             | 1/4" NPT F   | 3,624  | 8           | 3/8" M       | 3/8" M     | 3/8" F          | 194° F           | \$86.76  |
| m   | ML4079900014     | Repair Kit    |  |  |             |              |            |                 |                  | \$36.24  |
| n   | ML4079900019     | Seal Kit      |  |  |             |              |            |                 |                  | \$36.24  |
| <b>VR54 Unloader</b>                          |                  |               |  |  |             |              |            |                 |                  |          |
| o   | VR54-150         | Black Cap     | -  | 2,175  | 8           | 3/8" NPT M   | 3/8" NPT M | 3/8" NPT F      | 194° F           | \$77.31  |
| p   | VR54-200         | Red Cap       | -  | 2,900  | 8           | 3/8" NPT M   | 3/8" NPT M | 3/8" NPT F      | 194° F           | \$77.31  |
| q   | ML4079900016     | Repair Kit    |  |  |             |              |            |                 |                  | \$23.44  |
| r   | ML4079900020     | Seal Kit      |  |  |             |              |            |                 |                  | \$21.76  |
| <b>VR60 Unloader</b>                          |                  |               |  |  |             |              |            |                 |                  |          |
| s   | AR28067          | -             | -  | 8,700  | 26          | 1/2" F       | 1/2" F     | 1/2" F          | 194° F           | \$856.33 |





# ACCESSORIES

## UNLOADERS



| MOD | SPRING COLOR | KNOB | MAX<br>psi | MAX<br>gpm | INLET<br>in | OUTLET<br>mm | BY-PASS | MAX TEMP<br>°F | LIST PRICE<br>\$ |
|-----|--------------|------|------------|------------|-------------|--------------|---------|----------------|------------------|
|-----|--------------|------|------------|------------|-------------|--------------|---------|----------------|------------------|

### TZ - Unloader w/Zeroed Outlet Pressure

|          |       |   |   |       |     |        |        |        |        |          |
|----------|-------|---|---|-------|-----|--------|--------|--------|--------|----------|
| <b>a</b> | TZ310 | - | - | 4,500 | 5.6 | 3/8" F | 3/8" F | 3/8" F | 194° F | \$491.02 |
|----------|-------|---|---|-------|-----|--------|--------|--------|--------|----------|

### Zeromatic/83 - Multi-gun Unloader

|          |        |            |   |       |   |        |        |            |        |          |
|----------|--------|------------|---|-------|---|--------|--------|------------|--------|----------|
| <b>b</b> | AR2907 | -          | - | 3,600 | 8 | 1/2" F | 3/8" M | 2 x 3/8" F | 190° F | \$270.89 |
| <b>c</b> | AR1830 | O-Ring Kit |   |       |   |        |        |            |        | \$16.22  |

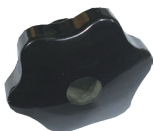
### VHP Unloaders

|          |                         |            |     |        |      |        |        |        |        |            |
|----------|-------------------------|------------|-----|--------|------|--------|--------|--------|--------|------------|
| <b>d</b> | VHP18/160               | -          | Yes | 2,610  | 42.3 | 3/4" F | 3/4" F | 3/4" F | 194° F | \$584.39   |
| <b>e</b> | VHP31/250-170           | -          | -   | 2,465  | 66   | 1" F   | 1" F   | 1" F   | 194° F | \$788.59   |
| <b>f</b> | VHP31/250-310           | -          | -   | 4,060  | 66   | 1" F   | 1" F   | 1" F   | 194° F | \$788.59   |
| <b>g</b> | VHP51-500 *             | -          | -   | 8,000  | 26.4 | 1/2" F | 1/2" F | 1/2" F | 194° F | \$507.72   |
| <b>h</b> | VHP51-400 *             | -          | -   | 5,800  | 26.4 | 1/2" F | 1/2" F | 1/2" F | 194° F | \$507.72   |
| <b>i</b> | VHP60 (Stainless Steel) | -          | -   | 8,700  | 26   | 1/2" F | 1/2" F | 1/2" F | 194° F | \$830.74   |
| <b>j</b> | VHP70-440               | Blue       | -   | 6,380  | 21   | 1/2" F | 1/2" F | 1/2" F | 194° F | \$1,366.49 |
| <b>k</b> | VHP70-700               | Black      | -   | 10,150 | 21   | 1/2" F | 1/2" F | 1/2" F | 194° F | \$1,366.49 |
| <b>l</b> | VHP80-800               | -          | -   | 12,800 | 21   | 1/2" F | 1/2" F | 1/2" F | 194° F | \$1,416.90 |
| <b>m</b> | ML4079900030            | Repair Kit |     |        |      |        |        |        |        | \$83.40    |

### VRP Unloaders

|          |            |   |   |      |    |              |              |          |        |          |
|----------|------------|---|---|------|----|--------------|--------------|----------|--------|----------|
| <b>n</b> | VRP175-170 | - | - | 2450 | 53 | 2 x 1" F NPT | 2 x 1" F NPT | 1" NPT F | 195° F | \$706.57 |
|----------|------------|---|---|------|----|--------------|--------------|----------|--------|----------|

\* = Nickel Plated Brass



**a**

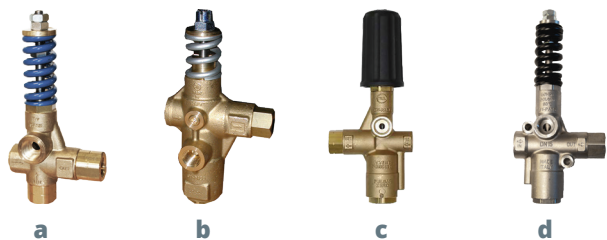
| MOD | DESCRIPTION | LIST PRICE |
|-----|-------------|------------|
|-----|-------------|------------|



### Round Unloader Knob

|          |          |  |         |
|----------|----------|--|---------|
| <b>a</b> | ML01PP7D | Round Unloader Knob. Fits on: VRT3, VRT100, VHP, VRC25, VRS, VX3 | \$33.95 |
|----------|----------|--|---------|





## SPECIALTY UNLOADERS



| MOD                             | SPRING/CAP COLOR |  MAX<br>psi |  MAX<br>gpm | INLET<br>in | OUTLET<br>mm | BY-PASS    | MAX TEMP<br>° F | LIST PRICE<br>\$ |
|---------------------------------|------------------|--|--|-------------|--------------|------------|-----------------|------------------|
| <b>High Pressure Unloaders</b>  |                  |  |  |             |              |            |                 |                  |
| <b>a</b> AR51096 (VB80/280)     | Blue             | 4,350  | 21   | 1/2" F      | 1/2" F       | 1/2" F     | 195°            | \$385.27         |
| <b>b</b> AR40397 (VB16)         | Silver           | 8,100  | 21   | 1/2" F      | 1/2" F       | 1/2" F     | 195°            | \$2,468.12       |
| <b>Flow Sensitive Unloaders</b> |                  |  |  |             |              |            |                 |                  |
| <b>c</b> AR51332 (Pulsar Zero)  | -                | 4,050  | 10.5   | 3/8" F      | 3/8" F       | 2 x 3/8" F | 195°            | \$359.37         |
| <b>d</b> AR51179 (Pulsar Zero)  | -                | 8,700  | 16   | 1/2" F      | 1/2" F       | 1/2" F     | 195°            | \$2,151.98       |
| <b>e</b> AR51634                | -                | 4,000  | 21   | 1/2" F      | 1/2" F       | 1/2" F     | 195°            | \$578.38         |

## STAINLESS STEEL VALVES & UNLOADERS

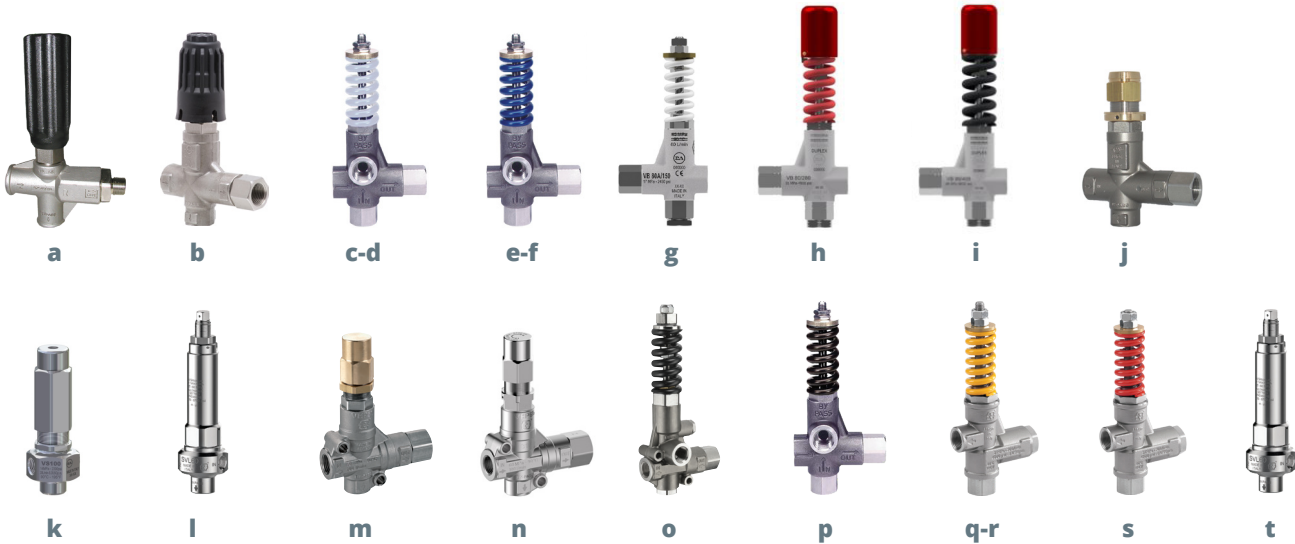


| MOD                              | SPRING/CAP COLOR          |  MAX<br>psi |  MAX<br>gpm | INLET<br>in | OUTLET<br>mm | BY-PASS | MAX TEMP<br>° F | LIST PRICE<br>\$ |
|----------------------------------|---------------------------|--|--|-------------|--------------|---------|-----------------|------------------|
| <b>Stainless Steel Unloaders</b> |                           |  |  |             |              |         |                 |                  |
| <b>a</b> VX3-160                 | Yellow                    | 2,300  | 8  | 3/8" F      | 3/8" F       | 1/4" F  | 195°            | \$740.44         |
| <b>b</b> VX3-250 (VXS.S. 303)    | Blue                      | 3,650  | 8  | 3/8" F      | 3/8" F       | 1/4" F  | 195°            | \$740.44         |
| <b>c</b> VX3-310                 | Black                     | 4,500  | 8  | 3/8" F      | 3/8" F       | 1/4" F  | 195°            | \$771.36         |
| <b>d</b> AR28067                 | -                         | 8,700  | 26   | 1/2" F      | 1/2" F       | 1/2" F  | 194°            | \$856.33         |
| <b>e</b> AR51248 (VB80/400)      | Black                     | 5,800 - 6,500  | 21   | 1/2" F      | 1/2" F       | 1/2" F  | 195°            | \$1,161.82       |
| <b>f</b> AR2170                  | Repair Kit for AR21350    |  |  |             |              |         |                 | \$35.54          |
| <b>g</b> ML4079900026            | Repair Kit for VX3 Series |  |  |             |              |         |                 | \$26.78          |



# ACCESSORIES

## STAINLESS STEEL VALVES & UNLOADERS



| MOD | SPRING/CAP COLOR | MAX<br>psi | MAX<br>gpm | INLET<br>in | OUTLET<br>in | BY-PASS<br>in | MAX TEMP<br>° F | LIST PRICE<br>\$ |
|-----|------------------|------------|------------|-------------|--------------|---------------|-----------------|------------------|
|-----|------------------|------------|------------|-------------|--------------|---------------|-----------------|------------------|

### 316 Stainless Steel Valves & Unloaders

|          |                               |       |       |      |              |            |            |      |            |
|----------|-------------------------------|-------|-------|------|--------------|------------|------------|------|------------|
| <b>a</b> | AR21350 Unloader (VRS.S. 316) | -     | 3,000 | 12   | 3/8" F-BSP   | 3/8" M-BSP | 3/8" F-BSP | 195° | \$812.67   |
| <b>b</b> | VB26-310-SS                   | -     | 4,500 | 21   | 1/2" F-G     | 1/2" F-G   | 1/2" F-G   | 195° | \$1,635.61 |
| <b>c</b> | VB80-170-SS                   | White | 2,450 | 21   | 2x1/2" F-G   | 1/2" F-G   | 1/2" F-G   | 195° | 1,699.31   |
| <b>d</b> | VB80-170-SS-NPT               | White | 2,450 | 21   | 2x1/2" F-NPT | 1/2" F-NPT | 1/2" F-NPT | 195° | 1,699.31   |
| <b>e</b> | VB80-310-SS                   | Blue  | 4,500 | 21   | 2x1/2" F-G   | 1/2" F-G   | 1/2" F-G   | 195° | 1,699.31   |
| <b>f</b> | VB80-310-SS-NPT               | Blue  | 4,500 | 21   | 2x1/2" F-NPT | 1/2" F-NPT | 1/2" F-NPT | 195° | 1,699.31   |
| <b>g</b> | VB80A-150-SS                  | White | 2,500 | 21   | 1/2" F-BSP   | 1/2" F-BSP | 1/2" F-BSP | 158° | \$9,315.00 |
| <b>h</b> | VB80A-280-SS                  | Red   | 4,500 | 21   | 1/2" F-BSP   | 1/2" F-BSP | 1/2" F-BSP | 158° | \$9,315.00 |
| <b>i</b> | VB80A-400-SS                  | Black | 6,500 | 21   | 1/2" F-BSP   | 1/2" F-BSP | 1/2" F-BSP | 158° | \$9,315.00 |
| <b>j</b> | VRP26-310-SS Regulator        | -     | 4,500 | 21   | 1/2" F-G     | 1/2" F-G   | 1/2" F-G   | 195° | \$1,620.87 |
| <b>k</b> | VS100-140-SS Safety Valve     | -     | 2,300 | 5.3  | 1/2" F-G     | -          | 1/2" F-G   | 195° | \$320.54   |
| <b>l</b> | SVL60-660-SS Safety Valve     | -     | 9,570 | 26.4 | 3/8" F-G     | -          | 1/2" F-G   | 195° | \$781.01   |
| <b>m</b> | VHP60-400-SS                  | Black | 5,800 | 26.4 | 1/2" F-G     | 1/2" F-G   | 1/2" F-G   | 195° | \$1,487.35 |
| <b>n</b> | VHP60-600-SS                  | Gray  | 8,700 | 26.4 | 1/2" F-G     | 1/2" F-G   | 1/2" F-G   | 195° | \$1,487.35 |

### 303 Stainless Steel Valves & Unloaders

|          |                      |        |        |    |              |            |            |      |            |
|----------|----------------------|--------|--------|----|--------------|------------|------------|------|------------|
| <b>o</b> | VHP80-800            | Black  | 12,800 | 21 | 1/2" F-NPT   | 1/2" F-NPT | 1/2" F-NPT | 195° | \$1,416.90 |
| <b>p</b> | AR51248              | Black  | 6,500  | 21 | 2x1/2" F-NPT | 1/2" F-NPT | 1/2" F-NPT | 195° | \$1,161.82 |
| <b>q</b> | VXR3-180 Regulator   | Yellow | 2,600  | 8  | 3/8" F-NPT   | 3/8" F-NPT | 3/8" F-NPT | 195° | \$763.69   |
| <b>r</b> | VXR3-310 Regulator   | Black  | 4,500  | 8  | 3/8" F-NPT   | 3/8" F-NPT | 3/8" F-NPT | 195° | \$763.69   |
| <b>s</b> | SVX-310 Safety Valve | Red    | 4,500  | 8  | 3/8" F-NPT   | 3/8" F-NPT | 3/8" F-NPT | 195° | \$598.67   |
| <b>t</b> | SVL70 Safety Valve   | -      | 10,450 | 16 | 3/8" F-RC    | 1/2" F-RC  | 1/2" F-G   | 195° | \$627.94   |

RC = Conic Thread



## UNLOADERS W/PRESSURE SWITCHES



a-b



c-d





h



j

The Pressure Switches are designed for balancing pressure washers hot water systems. As the user demands hot water the pressure switch activates to allow water to flow through the heating coil. When demand ceases, the pressure switch closes the circuit to send water through the by-pass circuit.

| MOD                               | SPRING/CAP COLOR                 |  MAX<br>psi |  MAX<br>gpm | INLET<br>in | OUTLET<br>mm | BY-PASS | MAX TEMP<br>° F | LIST PRICE<br>\$ |          |
|-----------------------------------|----------------------------------|--|--|-------------|--------------|---------|-----------------|------------------|----------|
| <b>VRT-PS2 &amp; PS6 Unloader</b> |                                  |  |  |             |              |         |                 |                  |          |
| a                                 | VRT100-190PS2                    | Yellow   | 2,700  | 26.4        | 1/2" F       | 1/2" F  | 1/2" F          | 194° F           | \$335.33 |
| b                                 | VRT100-330PS2                    | Blue   | 4,800  | 26.4        | 1/2" F       | 1/2" F  | 1/2" F          | 194° F           | \$335.33 |
| c                                 | VRT3-250PS6                      | Blue   | 3,650  | 10.5        | 2x3/8" F     | 3/8" F  | 3/8" F          | 194° F           | \$154.62 |
| d                                 | VRT3-310PS6                      | Black  | 4,500  | 10.5        | 2x3/8" F     | 3/8" F  | 3/8" F          | 194° F           | \$147.91 |
| e                                 | ML4079900039                     | Repair Kit for VRT100 Series   |  |             |              |         |                 |                  | \$54.16  |
| f                                 | ML4079900006                     | Repair Kit for VRT3-250 Series   |  |             |              |         |                 |                  | \$33.56  |
| g                                 | ML4079900007                     | Repair Kit for VRT3-310 Series   |  |             |              |         |                 |                  | \$33.56  |
| <b>VRC25-PS2 Unloader</b>         |                                  |  |  |             |              |         |                 |                  |          |
| h                                 | VRC25-PS2                        | Silver   | 3,650  | 8           | 3/8" F       | 3/8" F  | 2x3/8" F        | 194° F           | \$184.96 |
| i                                 | ML4079900010                     | Repair Kit   |  |             |              |         |                 |                  | \$40.35  |
| <b>VHP39-PS2 Unloader</b>         |                                  |  |  |             |              |         |                 |                  |          |
| j                                 | VHP39-PS2 (Brass - not nickel as | -  | 5,560  | 11          | 2x3/8" F     | 3/8" F  | 2x3/8" F        | 190° F           | \$312.56 |





# ACCESSORIES

## SWITCHES






a-f



g-h



i-j

| MOD   | <br>MAX<br>psi | <br>v | <br>amps | ACTIVATION PSI | CONNECTION<br>in | CORD LENGTH<br>in | MAX TEMP<br>° F | LIST PRICE<br>\$ |          |
|---|---|--|---|----------------|------------------|-------------------|-----------------|------------------|----------|
| <b>PS2 Pressure Switch</b>                    |   |  |   |                |                  |                   |                 |                  |          |
| a   | AL690   | 3,650  | 250   | 15             | 217.5            | 1/4" M            | 45"             | 190° F           | \$35.52  |
| b   | AL691   | 3,650  | 250   | 15             | 217.5            | 3/8" M            | 45"             | 190° F           | \$35.52  |
| c   | AL692   | 3,650  | 250   | 15             | 362.5            | 1/4" M            | 45"             | 190° F           | \$35.52  |
| d   | AL693   | 3,650  | 250   | 15             | 362.5            | 3/8" M            | 45"             | 190° F           | \$35.52  |
| e   | AL694   | 3,650  | 250   | 15             | 652.5            | 1/4" M            | 45"             | 190° F           | \$35.52  |
| f   | AL695   | 3,650  | 250   | 15             | 652.5            | 3/8" M            | 45"             | 190° F           | \$35.52  |
| <b>PS6 Pressure Switch - Brass</b>            |   |  |   |                |                  |                   |                 |                  |          |
| g   | PS6014  | 4,060  | 250   | 16             | 363              | 1/4" M            | 45"             | 167° F           | \$47.71  |
| h   | PS6038  | 4,060  | 250   | 16             | 363              | 3/8" M            | 45"             | 167° F           | \$46.27  |
| <b>PS60 Pressure Switch - Stainless Steel</b> |   |  |   |                |                  |                   |                 |                  |          |
| i   | PS6000  | 8,700  | 250   | 16             | 360              | 3/8" M            | 47.3"           | 194° F           | \$125.35 |
| j   | PS6001  | 8,700  | 250   | 16             | 600              | 3/8" M            | 47.3"           | 194° F           | \$125.35 |



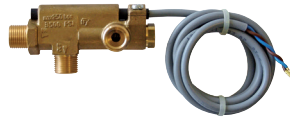
## SWITCHES



**a**



**d**



**e**

| MOD | CABLE | DIRECTION |  MAX |  MAX | INLET | OUTLET | MAX TEMP | LIST PRICE |
|-----|-------|-----------|---|---|-------|--------|----------|------------|
|     | in    |           | psi   | gpm   | in    | in     | ° F      | \$         |

### Flow Switches

|          |                         |        |            |       |   |        |        |        |          |
|----------|-------------------------|--------|------------|-------|---|--------|--------|--------|----------|
| <b>a</b> | MV60V (Brass)           | L-61.8 | Vertical   | 5,025 | 8 | 3/8" F | 3/8" F | 180° F | \$103.29 |
| <b>b</b> | MV60H                   | L-61.8 | Horizontal | 5,025 | 8 | 3/8" F | 3/8" F | 180° F | \$107.65 |
| <b>c</b> | MV70V                   | L-61.8 | Vertical   | 9,280 | 8 | 3/8" F | 3/8" F | 180° F | \$189.92 |
| <b>d</b> | MV70H (Stainless Steel) | L-61.8 | Horizontal | 9,280 | 8 | 3/8" F | 3/8" F | 180° F | \$214.59 |
| <b>e</b> | FS26 (Brass)            | L-61.8 | Vertical   | 4,500 | 8 | 3/8" M | 3/8" M | 180° F | \$125.24 |



**a-c**

| MOD |  | CONNECTION | SWITCH WITH | VACUUM AT | MAX TEMP | LIST PRICE |
|-----|---|------------|-------------|-----------|----------|------------|
|     | v   | amps       | in          |           | ° F      | \$         |

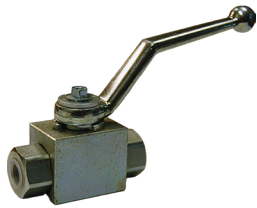
### MVVS Vacuum Switch

|          |         |     |    |      |     |     |        |         |
|----------|---------|-----|----|------|-----|-----|--------|---------|
| <b>a</b> | MVVS1.5 | 220 | 16 | 1/4" | 1.5 | 435 | 145° F | \$47.68 |
| <b>b</b> | MVVS2.5 | 220 | 16 | 1/4" | 2.5 | 580 | 145° F | \$47.68 |
| <b>c</b> | MVVS4.5 | 220 | 16 | 1/4" | 4.5 | 435 | 145° F | \$47.68 |




# ACCESSORIES

## VALVES



a-d

| MOD | <br>MAX<br>psi | INLET/<br>OUTLET<br>in | BODY<br>LENGTH<br>in | BODY<br>WIDTH<br>in | BODY/STEM<br>HEIGHT<br>in | HANDLE<br>LENGTH<br>in | MAX TEMP<br>° F | LIST<br>PRICE<br>\$ |
|-----|---|------------------------|----------------------|---------------------|---------------------------|------------------------|-----------------|---------------------|
|-----|---|------------------------|----------------------|---------------------|---------------------------|------------------------|-----------------|---------------------|

### High Pressure Ball Valves

Perfect spherically shaped and ground balls... Anti blow-out stem... Zinc plated body, Body, Ball, Adapter and Stem are made from Steel AISI... 12L14. Ball Seals are made from Polyoxymethylene. O-Ring are made from Nitril Buna Rubber. Handle length is center to end.

|   |        |       |        |      |       |       |       |        |          |
|---|--------|-------|--------|------|-------|-------|-------|--------|----------|
| a | GE2N14 | 7,250 | 1/4" F | 2.8" | 1.18" | 1.93" | 4.33" | 194° F | \$56.76  |
| b | GE2N38 | 7,250 | 3/8" F | 2.9" | 1.38" | 2.13" | 4.33" | 194° F | \$64.39  |
| c | GE2N12 | 7,250 | 1/2" F | 3.3" | 1.46" | 2.25" | 4.33" | 194° F | \$66.22  |
| d | GE2N34 | 5,000 | 3/4" F | 3.7" | 1.77" | 2.87" | 7.10" | 194° F | \$128.18 |



a-c



d-f



g



h

| MOD | <br>MAX<br>psi | <br>MAX<br>gpm | INLET<br>in | OUTLET<br>in | MAX TEMP<br>° F | LIST<br>PRICE<br>\$ |
|-----|---|---|-------------|--------------|-----------------|---------------------|
|-----|---|---|-------------|--------------|-----------------|---------------------|

### Check Valves

The Check Valves are mechanical valves that permit liquids to flow in only one direction, preventing process flow from reversing. They are classified as one-way directional valves. Fluid flow in the desired direction opens the valve, while back flow forces the valve closed.

|   |           |        |     |        |        |        |          |
|---|-----------|--------|-----|--------|--------|--------|----------|
| a | CV3-31014 | 4,500  | 6.6 | 1/4" F | 1/4" F | 194° F | \$44.62  |
| b | CV3-40038 | 5,800  | 6.6 | 3/8" F | 3/8" F | 194° F | \$48.98  |
| c | CV3-40012 | 5,800  | 6.6 | 1/2" F | 1/2" F | 194° F | \$68.46  |
| d | CV5-55014 | 7,980  | 6.6 | 1/4" F | 1/4" F | 194° F | \$50.40  |
| e | CV5-55038 | 7,980  | 6.6 | 3/8" F | 3/8" F | 194° F | \$66.22  |
| f | CV5-70012 | 10,150 | 6.6 | 1/2" F | 1/2" F | 194° F | \$105.64 |

### Easy Start Valve

The Easy Start Valve eases internal pump pressures that can make cold starts with gasoline engine difficult. 1/4" Hose Barb. 120 Shut Off PSI. 100 Re-opens PSI.

|   |          |       |   |        |   |        |         |
|---|----------|-------|---|--------|---|--------|---------|
| g | AR4000-2 | 5,000 | 5 | 3/8" M | - | 300° F | \$19.36 |
|---|----------|-------|---|--------|---|--------|---------|

### Pop-Off Safety Valve

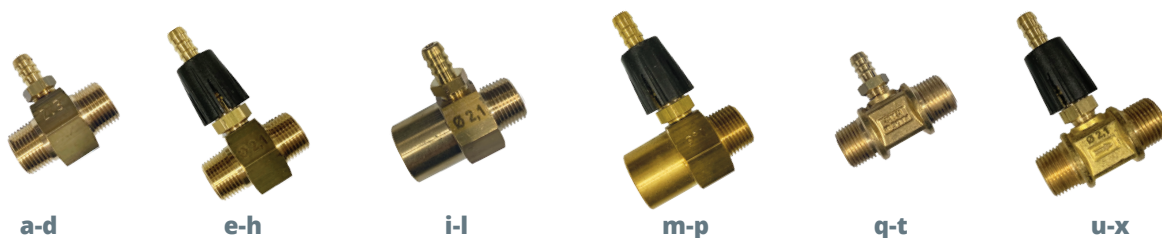
Back up pressure release valve, if priming valves fail. This helps to protect the pump from damage.



|   |          |             |   |        |   |        |         |
|---|----------|-------------|---|--------|---|--------|---------|
| h | AR5000-1 | 1,000-4,000 | 5 | 3/8" M | - | 140° F | \$28.56 |
|---|----------|-------------|---|--------|---|--------|---------|



## CHEMICAL INJECTORS

The Chemical Injectors are designed for down stream insertion of chemical products into the pump's pressure stream.



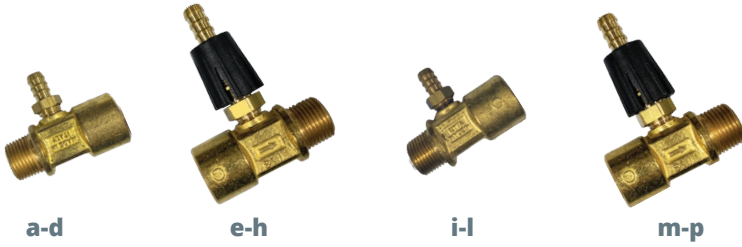
| MOD                   | ADJUSTMENT | ORIFICE SIZE |  MAX |  MAX | INLET | OUTLET       | MAX TEMP     | LIST PRICE |         |
|-----------------------|------------|--------------|---|---|-------|--------------|--------------|------------|---------|
|                       |            | mm           | psi   | gpm   | in    | in           | ° F          | \$         |         |
| <b>MV200 - MVR200</b> |            |              |   |   |       |              |              |            |         |
| <b>a</b>              | MV20016    | Fixed        | 1.6   | 4,500   | 8     | 3/8" M       | 3/8" M       | 200° F     | \$20.66 |
| <b>b</b>              | MV20018    | Fixed        | 1.8   | 4,500   | 8     | 3/8" M       | 3/8" M       | 200° F     | \$20.66 |
| <b>c</b>              | MV20021    | Fixed        | 2.1   | 4,500   | 8     | 3/8" M       | 3/8" M       | 200° F     | \$20.66 |
| <b>d</b>              | MV20023    | Fixed        | 2.3   | 4,500   | 8     | 3/8" M       | 3/8" M       | 200° F     | \$20.66 |
| <b>e</b>              | MVR20016   | Adjustable   | 1.6   | 4,500   | 8     | 3/8" M       | 3/8" M       | 200° F     | \$27.74 |
| <b>f</b>              | MVR20018   | Adjustable   | 1.8   | 4,500   | 8     | 3/8" M       | 3/8" M       | 200° F     | \$27.74 |
| <b>g</b>              | MVR20021   | Adjustable   | 2.1   | 4,500   | 8     | 3/8" M       | 3/8" M       | 200° F     | \$27.74 |
| <b>h</b>              | MVR20023   | Adjustable   | 2.3   | 4,500   | 8     | 3/8" M       | 3/8" M       | 200° F     | \$27.74 |
| <b>MV300 - MVR300</b> |            |              |   |   |       |              |              |            |         |
| <b>i</b>              | MV30016    | Fixed        | 1.6   | 4,500   | 8     | 3/8" F       | 3/8" M       | 200° F     | \$20.66 |
| <b>j</b>              | MV30018    | Fixed        | 1.8   | 4,500   | 8     | 3/8" F       | 3/8" M       | 200° F     | \$20.66 |
| <b>k</b>              | MV30021    | Fixed        | 2.1   | 4,500   | 8     | 3/8" F       | 3/8" M       | 200° F     | \$20.66 |
| <b>l</b>              | MV30023    | Fixed        | 2.3   | 4,500   | 8     | 3/8" F       | 3/8" M       | 200° F     | \$20.66 |
| <b>m</b>              | MVR30016   | Adjustable   | 1.6   | 4,500   | 8     | 3/8" F       | 3/8" M       | 200° F     | \$27.74 |
| <b>n</b>              | MVR30018   | Adjustable   | 1.8   | 4,500   | 8     | 3/8" F       | 3/8" M       | 200° F     | \$27.74 |
| <b>o</b>              | MVR30021   | Adjustable   | 2.1   | 4,500   | 8     | 3/8" F       | 3/8" M       | 200° F     | \$27.74 |
| <b>p</b>              | MVR30023   | Adjustable   | 2.3   | 4,500   | 8     | 3/8" F       | 3/8" M       | 200° F     | \$27.74 |
| <b>MV400 - MVR400</b> |            |              |   |   |       |              |              |            |         |
| <b>q</b>              | MV40016    | Fixed        | 1.6   | 4,500   | 8     | 3/8" M (NPT) | 3/8" M (NPT) | 200° F     | \$21.84 |
| <b>r</b>              | MV40018    | Fixed        | 1.8   | 4,500   | 8     | 3/8" M (NPT) | 3/8" M (NPT) | 200° F     | \$21.84 |
| <b>s</b>              | MV40021    | Fixed        | 2.1   | 4,500   | 8     | 3/8" M (NPT) | 3/8" M (NPT) | 200° F     | \$21.84 |
| <b>t</b>              | MV40023    | Fixed        | 2.3   | 4,500   | 8     | 3/8" M (NPT) | 3/8" M (NPT) | 200° F     | \$21.84 |
| <b>u</b>              | MVR40016   | Adjustable   | 1.6   | 4,500   | 8     | 3/8" M (NPT) | 3/8" M (NPT) | 200° F     | \$28.92 |
| <b>v</b>              | MVR40018   | Adjustable   | 1.8   | 4,500   | 8     | 3/8" M (NPT) | 3/8" M (NPT) | 200° F     | \$28.92 |
| <b>w</b>              | MVR40021   | Adjustable   | 2.1   | 4,500   | 8     | 3/8" M (NPT) | 3/8" M (NPT) | 200° F     | \$28.92 |
| <b>x</b>              | MVR40023   | Adjustable   | 2.3   | 4,500   | 8     | 3/8" M (NPT) | 3/8" M (NPT) | 200° F     | \$28.92 |







# ACCESSORIES

## CHEMICAL INJECTORS



| MOD           | ADJUSTMENT | ORIFICE SIZE |  MAX |  MAX | INLET | OUTLET       | MAX TEMP     | LIST PRICE |         |
|---------------|------------|--------------|---|---|-------|--------------|--------------|------------|---------|
|               |            | mm           | psi   | gpm   | in    | in           | ° F          | \$         |         |
| <b>MVR410</b> |            |              |   |   |       |              |              |            |         |
| <b>a</b>      | MV41016    | Fixed        | 1.6   | 4,500   | 8     | 3/8" F (NPT) | 3/8" M (NPT) | 200° F     | \$21.84 |
| <b>b</b>      | MV41018    | Fixed        | 1.8   | 4,500   | 8     | 3/8" F (NPT) | 3/8" M (NPT) | 200° F     | \$21.84 |
| <b>c</b>      | MV41021    | Fixed        | 2.1   | 4,500   | 8     | 3/8" F (NPT) | 3/8" M (NPT) | 200° F     | \$21.84 |
| <b>d</b>      | MV41023    | Fixed        | 2.3   | 4,500   | 8     | 3/8" F (NPT) | 3/8" M (NPT) | 200° F     | \$21.84 |
| <b>e</b>      | MVR41016   | Adjustable   | 1.6   | 4,500   | 8     | 3/8" F (NPT) | 3/8" M (NPT) | 200° F     | \$28.92 |
| <b>f</b>      | MVR41018   | Adjustable   | 1.8   | 4,500   | 8     | 3/8" F (NPT) | 3/8" M (NPT) | 200° F     | \$28.92 |
| <b>g</b>      | MVR41021   | Adjustable   | 2.1   | 4,500   | 8     | 3/8" F (NPT) | 3/8" M (NPT) | 200° F     | \$28.92 |
| <b>h</b>      | MVR41023   | Adjustable   | 2.3   | 4,500   | 8     | 3/8" F (NPT) | 3/8" M (NPT) | 200° F     | \$28.92 |
| <b>MVR420</b> |            |              |   |   |       |              |              |            |         |
| <b>i</b>      | MV42016    | Fixed        | 1.6   | 4,500   | 8     | 3/8" M (NPT) | 3/8" F (NPT) | 200° F     | \$21.84 |
| <b>j</b>      | MV42018    | Fixed        | 1.8   | 4,500   | 8     | 3/8" M (NPT) | 3/8" F (NPT) | 200° F     | \$21.84 |
| <b>k</b>      | MV42021    | Fixed        | 2.1   | 4,500   | 8     | 3/8" M (NPT) | 3/8" F (NPT) | 200° F     | \$21.84 |
| <b>l</b>      | MV42023    | Fixed        | 2.3   | 4,500   | 8     | 3/8" M (NPT) | 3/8" F (NPT) | 200° F     | \$21.84 |
| <b>m</b>      | MVR42016   | Adjustable   | 1.6   | 4,500   | 8     | 3/8" M (NPT) | 3/8" F (NPT) | 200° F     | \$28.92 |
| <b>n</b>      | MVR42018   | Adjustable   | 1.8   | 4,500   | 8     | 3/8" M (NPT) | 3/8" F (NPT) | 200° F     | \$28.92 |
| <b>o</b>      | MVR42021   | Adjustable   | 2.1   | 4,500   | 8     | 3/8" M (NPT) | 3/8" F (NPT) | 200° F     | \$28.92 |
| <b>p</b>      | MVR42023   | Adjustable   | 2.3   | 4,500   | 8     | 3/8" M (NPT) | 3/8" F (NPT) | 200° F     | \$28.92 |



## DETERGENT SUCTION FILTERS & HOSE



| MOD                              | DESCRIPTION                           | LIST PRICE |
|----------------------------------|---------------------------------------|------------|
| <b>Detergent Suction Filters</b> |                                       |            |
| <b>a</b> AR1341030               | 1/4" Barb Intake Strainer (Red)       | \$4.36     |
| <b>b</b> AL470                   | 1/4" Barb Intake Strainer (Black)     | \$4.49     |
| <b>c</b> AR3116                  | Filter with Check Valve (Brass)       | \$27.60    |
| <b>d</b> MV13                    | 7mm Barb without Check Valve          | \$10.15    |
| <b>e</b> MV14                    | 8mm Barb with Check Valve             | \$24.42    |
| <b>f</b> MV15                    | 6-8mm Barb without Check Valve (Blue) | \$3.66     |
| <b>g</b> MV16                    | 6-8mm Barb with Check Valve (Black)   | \$5.79     |



**a-c**

| MOD                   | INNER DIMENSION | OUTER DIMENSION | LENGTH | FILTER | LIST PRICE |
|-----------------------|-----------------|-----------------|--------|--------|------------|
|                       | in              | in              | ft     |        | \$         |
| <b>Detergent Hose</b> |                 |                 |        |        |            |
| <b>a</b> DETHOSE-FIL4 | 1/4"            | 3/8"            | 4'     | Yes    | \$9.32     |
| <b>b</b> DETHOSE-FIL5 | 1/4"            | 3/8"            | 5'     | Yes    | \$10.39    |
| <b>c</b> DETHOSE-FIL6 | 1/4"            | 3/8"            | 6'     | Yes    | \$10.74    |
| <b>d</b> DETHOSE-4    | 1/4"            | 3/8"            | 4'     | No     | \$5.90     |
| <b>e</b> DETHOSE-5    | 1/4"            | 3/8"            | 5'     | No     | \$6.39     |
| <b>f</b> DETHOSE-6    | 1/4"            | 3/8"            | 6'     | No     | \$6.96     |
| <b>g</b> DETHOSE-100  | 1/4"            | 3/8"            | 100'   | No     | \$79.54    |



# ACCESSORIES

## TRIGGER GUNS - REAR ENTRY



| MOD | MAX<br>psi | MAX<br>gpm | INLET<br>in | OUTLET<br>in | MAX TEMP<br>° F | LIST PRICE<br>\$ |
|-----|------------|------------|-------------|--------------|-----------------|------------------|
|-----|------------|------------|-------------|--------------|-----------------|------------------|

### Rear Entry Guns

These Spray Guns offer consistent quality and performance. Designed with an easy pull trigger, these guns can be operated without high levels of fatigue or discomfort normally found in high pressure guns.

|          |            |      |      |        |        |       |          |
|----------|------------|------|------|--------|--------|-------|----------|
| <b>a</b> | 5101       | 4000 | 7    | 3/8" F | 1/4" F | 320°F | \$43.53  |
| <b>b</b> | 5110       | 5000 | 10.5 | 3/8" F | 1/4" F | 320°F | \$57.70  |
| <b>c</b> | MV2012     | 5000 | 10.6 | 3/8" F | 1/4" F | 320°F | \$63.51  |
| <b>d</b> | MV925      | 4500 | 8    | 3/8" F | 1/4" F | 320°F | \$45.67  |
| <b>e</b> | MV925-W    | 4500 | 8    | 3/8" F | 1/4" F | 320°F | \$45.63  |
| <b>f</b> | MV925-W-SS | 4500 | 8    | 3/8" F | 1/4" F | 320°F | \$97.66  |
| <b>g</b> | MV951-3/8  | 5075 | 10.6 | 3/8" F | 1/4" F | 302°F | \$59.62  |
| <b>h</b> | MV951Z *** | 5075 | 10.6 | 3/8" F | 1/4" F | 302°F | \$78.26  |
| <b>i</b> | ML955      | 5800 | 10.6 | 3/8" F | 1/4" F | 320°F | \$71.64  |
| <b>j</b> | ML955CB ** | 5800 | 10.6 | 3/8" F | 1/4" F | 320°F | \$98.13  |
| <b>k</b> | ML956 *    | 5800 | 10.6 | 3/8" F | 1/4" F | 320°F | \$320.24 |
| <b>l</b> | ML957      | 4050 | 13.2 | 3/8" F | 1/4" F | 320°F | \$88.53  |
| <b>m</b> | ML958S*    | 2900 | 21   | 1/2" F | 1/2" F | 320°F | \$443.55 |
| <b>n</b> | AL36       | 5075 | 12   | 3/8" F | 1/4" F | 320°F | \$44.27  |

### Rear Entry High Flow Guns

|          |       |      |    |        |        |       |          |
|----------|-------|------|----|--------|--------|-------|----------|
| <b>o</b> | ML210 | 3200 | 53 | 3/4" F | 1/2" F | 250°F | \$439.45 |
|----------|-------|------|----|--------|--------|-------|----------|

### Rear Entry High Pressure Guns

|          |                   |       |      |        |        |       |          |
|----------|-------------------|-------|------|--------|--------|-------|----------|
| <b>p</b> | ML510             | 8100  | 16   | 1/2" F | 1/2" F | 250°F | \$439.45 |
| <b>q</b> | ML710             | 10150 | 16   | 3/8" F | 3/8" F | 250°F | \$656.16 |
| <b>r</b> | AR40400 (RL600) * | 9500  | 15.8 | 3/8" F | 3/8" F | 210°F | \$970.40 |
| <b>s</b> | AR50900 (RL80) *  | 8100  | 21   | 1/2" F | 1/2" F | 210°F | \$634.24 |

\* - Stainless Steel

\*\* - Ceramic Ball

\*\*\* - Zylel Housing



W - Weeping Gun

HE - Hydro Excavation





## TRIGGER GUNS - REAR/FRONT ENTRY, SPECIALTY



| MOD                            | <br>psi | <br>gpm | INLET<br>in | OUTLET<br>in | MAX TEMP<br>° F | LIST PRICE<br>\$ |
|--------------------------------|--|--|-------------|--------------|-----------------|------------------|
| <b>Rear Entry In-Line Guns</b> |  |  |             |              |                 |                  |
| <b>a</b> TL20                  | 3200   | 7  | 3/8" NPT F  | 1/4" NPT F   | 320°F           | \$61.25          |
| <b>b</b> TL40                  | 5800   | 10.6   | 3/8" NPT F  | 1/4" NPT F   | 320°F           | \$67.65          |
| <b>c</b> AR51717               | 4500   | 32   | 3/4" F      | 3/4" F       | 210°F           | \$496.41         |
| <b>Rear Entry Open Guns</b>    |  |  |             |              |                 |                  |
| <b>d</b> MV951-OG              | 5075   | 10.6   | 3/8" F      | 1/4" F       | 300°F           | \$35.89          |



| MOD  | <br>psi | <br>gpm | INLET<br>in | OUTLET<br>in | MAX TEMP<br>° F | LIST PRICE<br>\$ |
|--|--|--|-------------|--------------|-----------------|------------------|
| <b>Front Entry Guns</b>  |  |  |             |              |                 |                  |
| These Spray Guns offer consistent quality and performance. Designed with an easy pull trigger, these guns can be operated without high levels of fatigue or discomfort normally found in high pressure guns. |  |  |             |              |                 |                  |
| <b>a</b> ML320-1/4   | 2600   | 6.6  | 1/4" M      | 1/4" F       | 212°F           | \$34.94          |
| <b>b</b> ML320   | 2600   | 6.6  | 3/8" F      | 1/4" F       | 212°F           | \$34.94          |
| <b>c</b> ML330   | 4500   | 10.6   | 3/8" F      | 1/4" F       | 320°F           | \$61.61          |



| MOD                                 | DESCRIPTION  | LIST PRICE |
|-------------------------------------|--|------------|
| <b>Shoulder Support for ML Guns</b> |  |            |
| <b>a</b> MLSS14                     | Shoulder support for ML Guns. Fits Guns: ML210, ML510, ML710 | \$50.53    |





# ACCESSORIES

## TRIGGER GUNS WITH EXTENSIONS



| MOD | EXTENSION LENGTH | NOZZLE SIZE | MAX | MAX | INLET | OUTLET | MAX TEMP | LIST PRICE |
|-----|------------------|-------------|-----|-----|-------|--------|----------|------------|
|     | in               |             | psi | gpm | in    | mm     | ° F      | \$         |

### Trigger Guns with Lance Extensions

The Spray Guns with Lance Extensions feature a simple screw connection of a lance and gun to have better reach, and easier cleaning. Hooks up with tools.

|          |              |       |   |       |      |              |              |       |         |
|----------|--------------|-------|---|-------|------|--------------|--------------|-------|---------|
| <b>a</b> | MV925-MV70   | 14"   | - | 4,500 | 8    | 3/8" F       | 22mm x 1.5 F | 320°F | \$68.58 |
| <b>b</b> | ML330-L35    | 22.4" | - | 4,500 | 10.6 | 3/8" F       | 22mm x 1.5 F | -     | \$94.90 |
| <b>c</b> | ML330-L35S * | 22.4" | - | 4,500 | 10.6 | 3/8" F       | 22mm x 1.5 F | -     | \$94.97 |
| <b>d</b> | 5905         | 19"   | - | 2,500 | 6.5  | 22mm x 1.5 M | 22mm x 1.5 F | 140°F | \$40.87 |
| <b>e</b> | 5909         | 19"   | - | 3,000 | 6.5  | 22mm x 1.5 F | 22mm x 1.5 F | 140°F | \$48.26 |
| <b>f</b> | 5912         | 19"   | - | 4,000 | 6.5  | 3/8" F       | 22mm x 1.5 F | 140°F | \$58.20 |
| <b>g</b> | BIT105-1/4   | 19"   | - | 3,000 | 8    | 1/4" M       | 22mm x 1.5 F | 140°F | \$43.67 |
| <b>h</b> | BIT105-22MM  | 19"   | - | 3,000 | 8    | 22mm         | 22mm x 1.5 F | 140°F | \$43.67 |
| <b>i</b> | BIT105-3/8   | 19"   | - | 3,000 | 8    | 3/8" F       | 22mm x 1.5 F | 140°F | \$43.67 |
| <b>j</b> | AL13-1/4     | 19"   | - | 3,700 | 8    | 1/4" M       | 22mm x 1.5 F | 140°F | \$43.45 |
| <b>k</b> | AL13-22MM    | 19"   | - | 3,700 | 8    | 22mm         | 22mm x 1.5 F | 140°F | \$43.45 |
| <b>l</b> | AL13-3/8     | 19"   | - | 3,700 | 8    | 3/8" F       | 22mm x 1.5 F | 140°F | \$43.45 |

### Trigger Guns with Jet Extensions

Cone jet, fan jet, and foam jet.



|          |                |     |     |       |      |        |   |       |          |
|----------|----------------|-----|-----|-------|------|--------|---|-------|----------|
| <b>m</b> | ML957-3Jet-045 | 18" | 045 | 4,050 | 13.2 | 3/8" F | - | 140°F | \$850.41 |
| <b>n</b> | ML957-3Jet-055 | 18" | 055 | 4,050 | 13.2 | 3/8" F | - | 140°F | \$892.93 |
| <b>o</b> | ML957-3Jet-065 | 18" | 065 | 4,050 | 13.2 | 3/8" F | - | 140°F | \$892.93 |
| <b>p</b> | ML957-3Jet-08  | 18" | 08  | 4,050 | 13.2 | 3/8" F | - | 140°F | \$892.93 |
| <b>q</b> | ML957-3Jet-11  | 18" | 11  | 4,050 | 13.2 | 3/8" F | - | 140°F | \$892.93 |

\* - Swivel



## LANCES WITH EXTENSIONS



| MOD | EXTENSION LENGTH | PIPE SIZE | PIPE MATERIAL | GRIP |  MAX |  MAX | INLET | OUTLET | MAX TEMP | LIST PRICE |
|-----|------------------|-----------|---------------|------|---|---|-------|--------|----------|------------|
|     | in               | in        |               |      | psi   | gpm   | in    | in     | ° F      | \$         |

### Dual Lance Extensions

Dual Lance Extensions allow easy switching between high pressure cleaning and low pressure chemical application. Stainless Steel pipes give increased life when applying variable pH products. Zinc pipes work well for normal cleaning applications with non-corrosive products. 40" Dual Lance Extensions give the added benefit of easy and comfortable control with the built in molded grip, plastic cover on the valve and enlarged nozzle protector maximize

|          |       |     |      |      |        |       |      |        |            |       |          |
|----------|-------|-----|------|------|--------|-------|------|--------|------------|-------|----------|
| <b>a</b> | AL333 | 40" | 1/8" | Zinc | Molded | 3,650 | 10.5 | 1/4" M | 2 x 1/4" F | 300°F | \$105.52 |
| <b>b</b> | AL344 | 40" | 1/4" | S.S. | Vented | 4,000 | 10.5 | 1/4" M | 2 x 1/4" F | 300°F | \$145.78 |

### Dual Lance Extensions

Stainless Steel Seat. VPKIT - Includes 1/4" QC and Soap Nozzle.

Plastic cover over valve, enlarged nozzle protector for maximum operator comfort and safety.

|          |               |     |      |      |        |       |      |        |                 |       |          |
|----------|---------------|-----|------|------|--------|-------|------|--------|-----------------|-------|----------|
| <b>c</b> | AL344LS       | 40" | 1/4" | S.S. | Vented | 4,000 | 10.5 | 1/4" M | 1/8" F x 1/4" F | 302°F | \$152.86 |
| <b>d</b> | AL344LS-VPKIT | 40" | 1/4" | S.S. | Vented | 4,000 | 10.5 | 1/4" M | 1/8" F x 1/4" F | 302°F | \$176.93 |
| <b>e</b> | AL345         | 40" | 1/4" | S.S. | Vented | 4,000 | 10.5 | 1/4" M | 2 x 1/4" F      | 302°F | \$128.77 |
| <b>f</b> | AL345LS-VPKIT | 40" | 1/4" | S.S. | Vented | 4,000 | 10.5 | 1/4" M | 2 x 1/4" F      | 302°F | \$162.52 |



| MOD | DESCRIPTION | LIST PRICE |
|-----|-------------|------------|
|-----|-------------|------------|

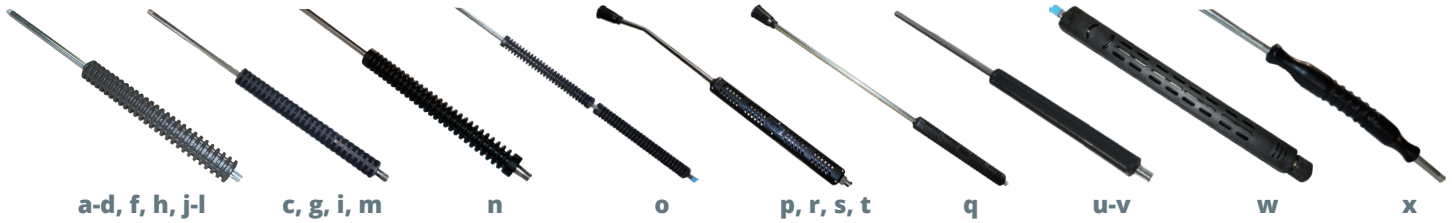
### Lance Handles

|          |      |                              |         |
|----------|------|------------------------------|---------|
| <b>a</b> | MVLH | Lance Handle 1/4" with clamp | \$24.43 |
| <b>b</b> | 5280 | Lance Handle 1/4" with nut   | \$9.22  |



# ACCESSORIES

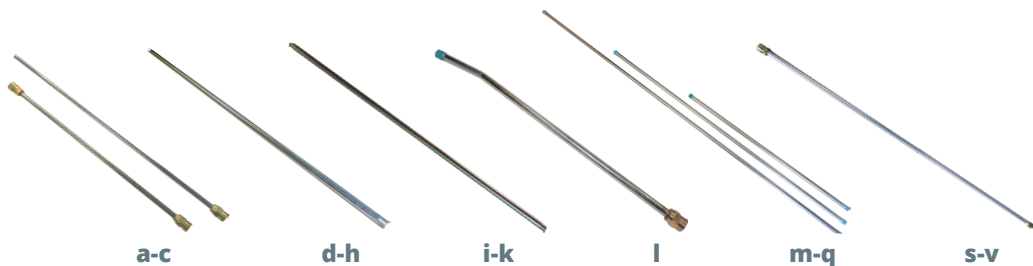
## LANCES - MOLDED & VENTED GRIPS





| MOD                                 | LENGTH<br>in           | PIPE MATERIAL | <br>MAX<br>psi | <br>MAX<br>gpm | INLET<br>in | OUTLET<br>mm | MAX TEMP<br>° F | LIST PRICE<br>\$ |
|-------------------------------------|------------------------|---------------|----------------|----------------|-------------|--------------|-----------------|------------------|
| <b>Molded Grip</b>                  |                        |               |                |                |             |              |                 |                  |
| <b>a</b> AL352                      | 12"                    | Zinc          | 5,000          | 10.5           | 1/4" M      | 1/4" M       | 302° F          | \$20.18          |
| <b>b</b> AL308X                     | 20"                    | Zinc          | 5,000          | 10.5           | 1/4" M      | 1/4" M       | 302° F          | \$23.26          |
| <b>c</b> AL323X                     | 24"                    | Zinc          | 5,000          | 10.5           | 1/4" M      | 1/4" M       | 302° F          | \$16.75          |
| <b>d</b> AL309X                     | 28"                    | Zinc          | 5,000          | 10.5           | 1/4" M      | 1/4" M       | 302° F          | \$16.75          |
| <b>e</b> AL301XX                    | 28"                    | S.S.          | 5,000          | 10.5           | 1/4" M      | 1/4" M       | 300° F          | \$41.90          |
| <b>f</b> AL324XX                    | 36" (4" grip from end) | Zinc          | 5,000          | 10.5           | 1/4" M      | 1/4" M       | 302° F          | \$18.88          |
| <b>g</b> AL302XX                    | 36"                    | S.S.          | 5,000          | 10.5           | 1/4" M      | 1/4" M       | 300° F          | \$41.90          |
| <b>h</b> AL325X                     | 48"                    | Zinc          | 5,000          | 10.5           | 1/4" M      | 1/4" M       | 302° F          | \$29.62          |
| <b>i</b> AL303X                     | 48"                    | S.S.          | 5,000          | 10.5           | 1/4" M      | 1/4" M       | 300° F          | \$59.13          |
| <b>j</b> AL326X                     | 59"                    | Zinc          | 5,000          | 10.5           | 1/4" M      | 1/4" M       | 302° F          | \$33.88          |
| <b>k</b> AL327X                     | 67"                    | Zinc          | 5,000          | 10.5           | 1/4" M      | 1/4" M       | 302° F          | \$49.80          |
| <b>l</b> AL328X                     | 79"                    | Zinc          | 5,000          | 10.5           | 1/4" M      | 1/4" M       | 302° F          | \$56.66          |
| <b>m</b> AL306X                     | 79"                    | S.S.          | 5,000          | 10.5           | 1/4" M      | 1/4" M       | 300° F          | \$94.20          |
| <b>Round Molded Grip</b>            |                        |               |                |                |             |              |                 |                  |
| <b>n</b> 5212                       | 36"                    | S.S.          | 4,000          | 10.5           | 1/4" M      | 1/4" F       | 300° F          | \$39.70          |
| <b>o</b> 5218 (Double Grip)         | 48"                    | Zinc          | 4,000          | 10.5           | 1/4" M      | 1/4" F       | 300° F          | \$24.94          |
| <b>Vented Grip</b>                  |                        |               |                |                |             |              |                 |                  |
| <b>p</b> AL360 (w/Nozzle Protector) | 20" (w/15° bend)       | Zinc          | 5,000          | 10.5           | 1/4" M      | 1/4" F       | 302° F          | \$36.71          |
| <b>q</b> AL361 (w/Nozzle Protector) | 36"                    | Zinc          | 5,000          | 10.5           | 1/4" M      | 1/4" F       | 302° F          | \$38.58          |
| <b>r</b> AL362 (w/Nozzle Protector) | 48" (w/15° bend)       | Zinc          | 5,000          | 10.5           | 1/4" M      | 1/4" F       | 302° F          | \$51.71          |
| <b>s</b> AL363 (w/Nozzle Protector) | 59" (w/15° bend)       | Zinc          | 5,000          | 10.5           | 1/4" M      | 1/4" F       | 302° F          | \$59.38          |
| <b>t</b> AL365 (w/Nozzle Protector) | 79" (w/15° bend)       | Zinc          | 5,000          | 10.5           | 1/4" M      | 1/4" F       | 302° F          | \$63.75          |
| <b>u</b> 5201                       | 24"                    | Zinc          | 4,000          | 10.5           | 1/4" M      | 1/4" M       | 300° F          | \$21.99          |
| <b>v</b> 5202                       | 36"                    | Zinc          | 4,000          | 10.5           | 1/4" M      | 1/4" M       | 300° F          | \$24.79          |
| <b>Semi-Vented Grip</b>             |                        |               |                |                |             |              |                 |                  |
| <b>w</b> 5170                       | 18"                    | Zinc          | 4,000          | 10.5           | 1/4" M      | 22mm x 1.5 F | 300° F          | \$25.25          |
| <b>Flex Wand</b>                    |                        |               |                |                |             |              |                 |                  |
| <b>x</b> 5271                       | 18"                    | Zinc          | 2,250          | 10.5           | 1/4" M      | 1/4" M       | 195° F          | \$27.45          |



## LANCES - NO GRIP



| MOD                           | LENGTH<br>in | PIPE<br>MATERIAL |  MAX<br>psi |  MAX<br>gpm | INLET<br>in | OUTLET<br>mm | MAX TEMP<br>° F | LIST<br>PRICE<br>\$ |
|-------------------------------|--------------|------------------|--|--|-------------|--------------|-----------------|---------------------|
| <b>Zinc Lances</b>            |              |                  |  |  |             |              |                 |                     |
| <b>a</b> AL248                | 24"          | Zinc             | 5,000  | 10.5   | 22mm x 1.5M | 1/4" M       | 302°F           | \$18.07             |
| <b>b</b> AL248-CSC            | 18"          | Zinc             | 5,000  | 10.5   | 22mm x 1.5M | 1/4" F QC    | 302°F           | \$31.98             |
| <b>c</b> AL248-CB             | 24"          | Zinc             | 5,000  | 10.5   | 22mm x 1.5M | 1/4" F QC    | 302°F           | \$42.35             |
| <b>d</b> AL290X               | 16"          | Zinc             | 5,000  | 10.5   | 1/4" M      | 1/4" M       | 302°F           | \$13.35             |
| <b>e</b> AL291X               | 20"          | Zinc             | 5,000  | 10.5   | 1/4" M      | 1/4" M       | 302°F           | \$15.47             |
| <b>f</b> AL292X               | 28"          | Zinc             | 5,000  | 10.5   | 1/4" M      | 1/4" M       | 302°F           | \$14.28             |
| <b>g</b> AL293X               | 36"          | Zinc             | 5,000  | 10.5   | 1/4" M      | 1/4" M       | 302°F           | \$34.45             |
| <b>h</b> AL295X               | 60"          | Zinc             | 5,000  | 10.5   | 1/4" M      | 1/4" M       | 302°F           | \$36.11             |
| <b>i</b> 5251                 | 24"          | Zinc             | 4,000  | 10.5   | 1/4" M      | 1/4" M       | 300°F           | \$9.30              |
| <b>j</b> 5252                 | 36"          | Zinc             | 4,000  | 10.5   | 1/4" M      | 1/4" M       | 300°F           | \$13.72             |
| <b>k</b> 5253                 | 48"          | Zinc             | 4,000  | 10.5   | 1/4" M      | 1/4" M       | 300°F           | \$18.59             |
| <b>l</b> 5890 (with 15° bend) | 18"          | Zinc             | 4,000  | 10.5   | 22mm x 1.5M | 1/4" M       | 302°F           | \$28.05             |
| <b>Aluminum Lances</b>        |              |                  |  |  |             |              |                 |                     |
| <b>m</b> 5220                 | 12"          | Aluminum         | 4,000  | 10.5   | 1/4" M      | 1/4" M       | 300°F           | \$8.13              |
| <b>n</b> 5221                 | 36"          | Aluminum         | 4,000  | 10.5   | 1/4" M      | 1/4" M       | 300°F           | \$22.29             |
| <b>o</b> 5222                 | 48"          | Aluminum         | 4,000  | 10.5   | 1/4" M      | 1/4" M       | 300°F           | \$27.89             |
| <b>p</b> 5223                 | 72"          | Aluminum         | 4,000  | 10.5   | 1/4" M      | 1/4" M       | 300°F           | \$43.08             |
| <b>q</b> 5224                 | 96"          | Aluminum         | 4,000  | 10.5   | 1/4" M      | 1/4" M       | 300°F           | \$58.87             |
| <b>r</b> 5226                 | 12"          | Aluminum         | 4,000  | 10.5   | 22mm x 1.5M | 1/4" F QC    | 300°F           | \$19.63             |
| <b>s</b> 5227                 | 36"          | Aluminum         | 4,000  | 10.5   | 1/4" Plug   | 1/4" F QC    | 300°F           | \$33.51             |
| <b>t</b> 5228                 | 48"          | Aluminum         | 4,000  | 10.5   | 1/4" Plug   | 1/4" F QC    | 300°F           | \$39.24             |
| <b>u</b> 5229                 | 72"          | Aluminum         | 4,000  | 10.5   | 1/4" Plug   | 1/4" F QC    | 300°F           | \$54.74             |
| <b>v</b> 5230                 | 96"          | Aluminum         | 4,000  | 10.5   | 1/4" Plug   | 1/4" F QC    | 300°F           | \$70.24             |





# ACCESSORIES

## LANCES - HIGH PRESSURE



| MOD  | LENGTH<br>in | PIPE<br>MATERIAL | <br>MAX<br>psi | <br>MAX<br>gpm | INLET<br>in | OUTLET<br>mm | MAX TEMP<br>° F | LIST<br>PRICE<br>\$ |
|--|--------------|------------------|----------------|----------------|-------------|--------------|-----------------|---------------------|
| <b>S6-RL600 High Pressure</b>                    |              |                  |                |                |             |              |                 |                     |
| <b>a</b> AR40402                                 | 31.5"        | S.S.             | 9,570          | 15.8           | 1/4" F      | 1/4" F       | 210° F          | \$390.85            |
| <b>RL80-RL19 High Pressure</b>                   |              |                  |                |                |             |              |                 |                     |
| <b>b</b> AR40404                                 | 31.5"        | S.S.             | 8,100          | 21             | 1/2" M      | 1/4" F       | 210° F          | \$373.47            |
| <b>c</b> AR40405                                 | 50"          | S.S.             | 8,100          | 21             | 1/2" M      | 1/4" F       | 210° F          | \$682.02            |
| <b>L70 High Pressure</b>                         |              |                  |                |                |             |              |                 |                     |
| <b>d</b> L70-32                                  | 32"          | S.S.             | 9,280          | 16             | 3/8" M      | 1/4" F       | 320° F          | \$210.69            |
| <b>e</b> L70-48                                  | 48"          | S.S.             | 9,280          | 16             | 3/8" M      | 1/4" F       | 320° F          | \$288.96            |
| <b>L200 High Pressure</b>                        |              |                  |                |                |             |              |                 |                     |
| <b>f</b> L200-32                                 | 32"          | S.S.             | 7,250          | 52.8           | 1/2" M      | 1/4" F       | 194° F          | \$246.81            |
| <b>g</b> L200-48                                 | 48"          | S.S.             | 7,250          | 52.8           | 1/2" M      | 1/4" F       | 194° F          | \$427.40            |
| <b>L200 HE</b><br>Suitable for hydro excavation. |              |                  |                |                |             |              |                 |                     |
| <b>h</b> L200-HE-48                              | 47"          | S.S.             | 8,100          | 53             | 1/2" M      | 1/2" NPT M   | 104° F          | \$320.62            |
| <b>i</b> L200-HE-60                              | 59"          | S.S.             | 8,100          | 53             | 1/2" M      | 1/2" NPT M   | 104° F          | \$351.01            |
| <b>j</b> L200-HE-72                              | 71"          | S.S.             | 8,100          | 53             | 1/2" M      | 1/2" NPT M   | 104° F          | \$407.69            |



## LANCES - SPECIALTY



| MOD                          | LENGTH<br>in | PIPE MATERIAL | <br>MAX<br>psi | <br>MAX<br>gpm | INLET<br>in  | OUTLET<br>mm   | MAX TEMP<br>° F | LIST PRICE<br>\$ |
|------------------------------|--------------|---------------|----------------|----------------|--------------|----------------|-----------------|------------------|
| <b>Gutter Cleaner Lances</b> |              |               |                |                |              |                |                 |                  |
| <b>a</b> 5807                | 12"          | -             | 4,000          | -              | 1/4" QC      | 1/4" QC Socket | -               | \$21.22          |
| <b>Underbody Lances</b>      |              |               |                |                |              |                |                 |                  |
| <b>b</b> MVUBL               | 31"          | -             | 4,060          | 10.6           | 22mm x 1.5 M | 1/4" M         | 300° F          | \$43.91          |



| MOD  | LENGTH<br>in | PIPE MATERIAL | <br>MAX<br>psi | <br>MAX<br>gpm | INLET<br>in | OUTLET<br>mm | MAX TEMP<br>° F | LIST PRICE<br>\$ |
|--|--------------|---------------|----------------|----------------|-------------|--------------|-----------------|------------------|
| <b>Telescoping Lances</b><br>Pipe-threaded inlet. Length is in three sections. |              |               |                |                |             |              |                 |                  |
| <b>a</b> ARTEL-18  | 6' - 18'     | Fiberglass    | 4,000          | 7              | 3/8" M      | 1/4" QC      | 300° F          | \$328.14         |
| <b>b</b> ARTEL-24  | 10' - 24'    | Fiberglass    | 4,000          | 7              | 3/8" M      | 1/4" QC      | 300° F          | \$364.15         |
| <b>c</b> ARTEL-18A   | 6' - 18'     | Aluminum      | 4,000          | 7              | 3/8" M      | 1/4" QC      | 300° F          | \$504.16         |
| <b>d</b> ARTEL-24A   | 10' - 24'    | Aluminum      | 4,000          | 7              | 3/8" M      | 1/4" QC      | 300° F          | \$624.55         |
| <b>e</b> ARTEL-18C "Crane"   | 6' - 18'     | Aluminum      | 4,000          | 7              | 3/8" M      | 1/4" QC      | 300° F          | \$234.75         |

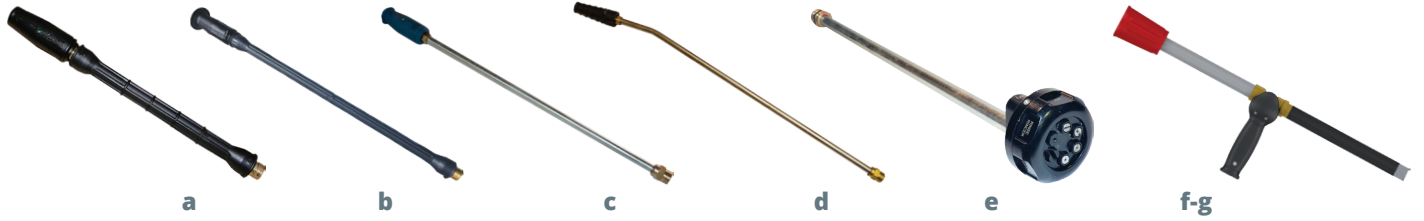


| MOD                      | DESCRIPTION      | LIST PRICE |
|--------------------------|------------------|------------|
| <b>Artel Belt</b>        |                  |            |
| <b>a</b> ARTEL-BELT ASSY | 33" to 58" Waist | \$29.49    |



# ACCESSORIES

## LANCES - WITH NOZZLES



| MOD | LENGTH | PIPE MATERIAL | MAX | MAX | INLET | OUTLET | MAX TEMP | LIST PRICE |
|-----|--------|---------------|-----|-----|-------|--------|----------|------------|
|     | in     |               | psi | gpm | in    | mm     | ° F      | \$         |

### AL236

VSN - (Vari-spray Nozzle) / AL413R (Specify nozzle angle 0° to 45°)

|          |       |     |      |       |     |              |     |        |         |
|----------|-------|-----|------|-------|-----|--------------|-----|--------|---------|
| <b>a</b> | AL236 | 12" | Zinc | 2,200 | 5.5 | 22mm x 1.5 M | VSN | 140° F | \$48.16 |
|----------|-------|-----|------|-------|-----|--------------|-----|--------|---------|

### ALT10

VSN - (Vari-spray Nozzle) / AL413R (Specify nozzle angle 0° to 45°)

|          |       |     |      |       |     |              |     |        |         |
|----------|-------|-----|------|-------|-----|--------------|-----|--------|---------|
| <b>b</b> | ALT10 | 18" | Zinc | 3,200 | 5.5 | 22mm x 1.5 M | VSN | 140° F | \$54.29 |
|----------|-------|-----|------|-------|-----|--------------|-----|--------|---------|

### Lances with Variable Nozzle Head

|          |      |              |      |       |     |              |          |        |         |
|----------|------|--------------|------|-------|-----|--------------|----------|--------|---------|
| <b>c</b> | 5906 | 15"          | Zinc | 2,500 | 6.5 | 22mm x 1.5 F | Variable | 300° F | \$33.51 |
| <b>d</b> | 5910 | 15" (w/bend) | Zinc | 3,000 | 6.5 | 22mm x 1.5 F | Variable | 300° F | \$42.35 |

### Lances with Multiple Head Nozzle

|          |      |     |      |       |   |              |   |   |         |
|----------|------|-----|------|-------|---|--------------|---|---|---------|
| <b>e</b> | 5840 | 18" | Zinc | 3,000 | - | 22mm x 1.5 M | - | - | \$81.31 |
|----------|------|-----|------|-------|---|--------------|---|---|---------|

### LM25 Wand

|          |              |                        |     |       |    |          |           |        |          |
|----------|--------------|------------------------|-----|-------|----|----------|-----------|--------|----------|
| <b>f</b> | LM25         | 21.5"                  | S.S | 3,625 | 12 | R 1/4" M | M15 x 1 F | 194° F | \$163.12 |
| <b>g</b> | LM25-30      | 30"                    | S.S | 3,625 | 12 | R 1/4" M | M15 x 1 F | 194° F | \$172.33 |
| <b>h</b> | ML4039900014 | LM25 Gasket Repair Kit |     |       |    |          |           |        | \$14.36  |



a-h

| MOD | INLET | NOZZLE ORIFICE SIZE | LIST PRICE |
|-----|-------|---------------------|------------|
|     | in    | mm                  | \$         |

### Nozzles for LM25

|          |             |         |     |         |
|----------|-------------|---------|-----|---------|
| <b>a</b> | ML8278001   | M15 x 1 | 1.2 | \$12.62 |
| <b>b</b> | MLU00000199 | M15 x 1 | 1.5 | \$18.81 |
| <b>c</b> | ML8278003   | M15 x 1 | 1.8 | \$12.62 |
| <b>d</b> | ML8278004   | M15 x 1 | 2.0 | \$12.62 |
| <b>e</b> | ML8278005   | M15 x 1 | 2.3 | \$12.62 |
| <b>f</b> | ML8278006   | M15 x 1 | 2.5 | \$12.62 |
| <b>g</b> | ML8278007   | M15 x 1 | 3.0 | \$12.62 |
| <b>h</b> | ML8278015   | M15 x 1 | 3.5 | \$12.62 |



## NOZZLES - FLARED & ROTARY



a

| MOD | SPRAY PATTERN | AVAILABLE NOZZLE SIZE |  MAX |  MAX | INLET | OUTLET | MAX TEMP | LIST PRICE |
|-----|---------------|-----------------------|---|---|-------|--------|----------|------------|
|     | °             | mm                    | psi   | gpm   | in    |        | ° F      | \$         |

### Flared Vari-Spray Nozzle

The Vari-Spray nozzle series gives the user flexibility to choose the correct spray pattern of any application. Get 0° to 50° coverage adjustable by turning the nozzle head. Push pull for high pressure or low pressure for soap.

|          |          |             |       |     |        |     |        |         |
|----------|----------|-------------|-------|-----|--------|-----|--------|---------|
| a AL413F | 0° - 50° | 1.00 - 1.80 | 3,200 | 5.5 | 1/4" F | VSN | 140° F | \$23.01 |
|----------|----------|-------------|-------|-----|--------|-----|--------|---------|



a

| MOD | ORIFICE SIZE | NOZZLE SIZE |  MAX | INLET | COLOR ID | MAX TEMP | LIST PRICE |
|-----|--------------|-------------|--|-------|----------|----------|------------|
|     | mm           |             | psi  | in    |          | ° F      | \$         |

### ID RotoJet 2 Series Nozzles

|                 |      |     |       |        |        |        |         |
|-----------------|------|-----|-------|--------|--------|--------|---------|
| a IDROJET2-1.15 | 1.15 | 3.7 | 3,600 | 1/4" F | Red    | 140° F | \$33.28 |
| b IDROJET2-1.20 | 1.20 | 4   | 3,600 | 1/4" F | Blue   | 140° F | \$33.28 |
| c IDROJET2-1.25 | 1.25 | 4.3 | 3,600 | 1/4" F | Brown  | 140° F | \$33.28 |
| d IDROJET2-1.30 | 1.30 | 4.5 | 3,600 | 1/4" F | Orange | 140° F | \$33.28 |
| e IDROJET2-1.35 | 1.35 | 5   | 3,600 | 1/4" F | Green  | 140° F | \$33.28 |
| f IDROJET2-1.45 | 1.45 | 5.5 | 3,600 | 1/4" F | Black  | 140° F | \$33.28 |
| g IDROJET2-1.60 | 1.60 | 6   | 3,600 | 1/4" F | Purple | 140° F | \$33.28 |



a-c

| MOD | NOZZLE SIZE |  MAX | INLET | MAX TEMP | LIST PRICE |
|-----|-------------|---|-------|----------|------------|
|     |             | psi   | in    | ° F      | \$         |

### TPR 250 HE

Suitable for hydro excavation.

|               |    |       |            |        |          |
|---------------|----|-------|------------|--------|----------|
| a TPRHE250-08 | 8  | 3,600 | 1/2" NPT F | 194° F | \$547.08 |
| b TPRHE250-10 | 10 | 3,600 | 1/2" NPT F | 194° F | \$547.08 |
| c TPRHE250-12 | 12 | 3,600 | 1/2" NPT F | 194° F | \$547.08 |





# ACCESSORIES

## ROTARY NOZZLES



a-j



o-u



a-m



u-z

| MOD | NOZZLE SIZE |  MAX | INLET | MAX TEMP | LIST PRICE |
|-----|-------------|---|-------|----------|------------|
|     |             | psi   | in    | ° F      | \$         |

### RotoJet 255 Series Nozzles

|   |                |                     |       |        |        |          |
|---|----------------|---------------------|-------|--------|--------|----------|
| a | ROTOJET255-02  | 2                   | 3,700 | 1/4" F | 210° F | \$110.25 |
| b | ROTOJET255-025 | 2.5                 | 3,700 | 1/4" F | 210° F | \$110.25 |
| c | ROTOJET255-03  | 3                   | 3,700 | 1/4" F | 210° F | \$110.25 |
| d | ROTOJET255-035 | 3.5                 | 3,700 | 1/4" F | 210° F | \$110.25 |
| e | ROTOJET255-04  | 4                   | 3,700 | 1/4" F | 210° F | \$110.25 |
| f | ROTOJET255-05  | 5                   | 3,700 | 1/4" F | 210° F | \$110.25 |
| g | ROTOJET255-055 | 5.5                 | 3,700 | 1/4" F | 210° F | \$110.25 |
| h | ROTOJET255-06  | 6                   | 3,700 | 1/4" F | 210° F | \$110.25 |
| i | ROTOJET255-065 | 6.5                 | 3,700 | 1/4" F | 210° F | \$110.25 |
| j | ROTOJET255-07  | 7                   | 3,700 | 1/4" F | 210° F | \$110.25 |
| k | MV0204107300   | Kit: RotoJet255-02  |       |        |        | \$82.13  |
| l | MV0204107360   | Kit: RotoJet255-05  |       |        |        | \$82.13  |
| m | MV0204107390   | Kit: RotoJet255-065 |       |        |        | \$82.13  |
| n | MV0204107400   | Kit: RotoJet255-07  |       |        |        | \$82.13  |

### RotoJet 310 Series Nozzles

|   |                |                     |       |        |        |          |
|---|----------------|---------------------|-------|--------|--------|----------|
| o | ROTOJET310-03  | 3                   | 4,500 | 1/4" F | 210° F | \$165.25 |
| p | ROTOJET310-035 | 3.5                 | 4,500 | 1/4" F | 210° F | \$165.25 |
| q | ROTOJET310-04  | 4                   | 4,500 | 1/4" F | 210° F | \$165.25 |
| r | ROTOJET310-045 | 4.5                 | 4,500 | 1/4" F | 210° F | \$165.25 |
| s | ROTOJET310-05  | 5                   | 4,500 | 1/4" F | 210° F | \$165.25 |
| t | ROTOJET310-055 | 5.5                 | 4,500 | 1/4" F | 210° F | \$165.25 |
| u | ROTOJET310-06  | 6                   | 4,500 | 1/4" F | 210° F | \$165.25 |
| v | MV0204106510   | Kit: RotoJet310-04  |       |        |        | \$106.08 |
| w | MV0204106515   | Kit: RotoJet310-045 |       |        |        | \$106.08 |

| MOD | NOZZLE SIZE |  MAX | INLET | MAX TEMP | LIST PRICE |
|-----|-------------|---|-------|----------|------------|
|     |             | psi   | in    | ° F      | \$         |

### RotoJet 400 Series Nozzles

|   |                |                     |       |        |        |          |
|---|----------------|---------------------|-------|--------|--------|----------|
| a | ROTOJET400-020 | 2                   | 5,800 | 1/4" F | 210° F | \$251.90 |
| b | ROTOJET400-03  | 3                   | 5,800 | 1/4" F | 210° F | \$251.90 |
| c | ROTOJET400-035 | 3.5                 | 5,800 | 1/4" F | 210° F | \$251.90 |
| d | ROTOJET400-045 | 4.5                 | 5,800 | 1/4" F | 210° F | \$251.90 |
| e | ROTOJET400-055 | 5.5                 | 5,800 | 1/4" F | 210° F | \$251.90 |
| f | ROTOJET400-065 | 6.5                 | 5,800 | 1/4" F | 210° F | \$251.90 |
| g | ROTOJET400-07  | 7                   | 5,800 | 1/4" F | 210° F | \$251.90 |
| h | ROTOJET400-075 | 7.5                 | 5,800 | 1/4" F | 210° F | \$251.90 |
| i | ROTOJET400-09  | 9                   | 5,800 | 1/4" F | 210° F | \$251.90 |
| j | ROTOJET400-10  | 10                  | 5,800 | 1/4" F | 210° F | \$251.90 |
| k | ROTOJET400-12  | 12                  | 5,800 | 1/4" F | 210° F | \$251.90 |
| l | ROTOJET400-15  | 15                  | 5,800 | 1/4" F | 210° F | \$307.60 |
| m | ROTOJET400-20  | 20                  | 5,800 | 1/4" F | 210° F | \$307.60 |
| n | MV0204106915   | Kit: RotoJet400-045 |       |        |        | \$127.78 |
| o | MV0204106945   | Kit: RotoJet400-075 |       |        |        | \$127.78 |
| p | MV0204106960   | Kit: RotoJet400-09  |       |        |        | \$127.78 |
| q | MV0204106970   | Kit: RotoJet400-10  |       |        |        | \$127.78 |
| r | ML0204106990   | Kit: RotoJet400-12  |       |        |        | \$127.78 |
| s | MV0204107020   | Kit: RotoJet400-15  |       |        |        | \$203.80 |
| t | MV0204107070   | Kit: RotoJet400-20  |       |        |        | \$203.80 |

### RotoJet 500 Series Nozzles - Stainless Steel

|    |                |                    |       |        |        |            |
|----|----------------|--------------------|-------|--------|--------|------------|
| u  | ROTOJET500-055 | 5.5                | 7,250 | 1/4" F | 210° F | \$1,596.78 |
| v  | ROTOJET500-06  | 6                  | 7,250 | 1/4" F | 210° F | \$1,596.78 |
| w  | ROTOJET500-065 | 6.5                | 7,250 | 1/4" F | 210° F | \$1,596.78 |
| x  | ROTOJET500-07  | 7                  | 7,250 | 1/4" F | 210° F | \$1,596.78 |
| y  | ROTOJET500-08  | 8                  | 7,250 | 1/4" F | 210° F | \$2,132.07 |
| z  | ROTOJET500-09  | 9                  | 7,250 | 1/4" F | 210° F | \$2,132.07 |
| a2 | MV4059900000   | Kit: RotoJet500-03 |       |        |        | \$698.78   |
| b2 | MV0204106810   | Kit: RotoJet500-04 |       |        |        | \$673.61   |
| c2 | MV4059900003   | Kit: RotoJet500-45 |       |        |        | \$707.35   |
| d2 | ML4059900004   | Kit: RotoJet500-05 |       |        |        | \$673.61   |
| e2 | MV0204106850   | Kit: RotoJet500-08 |       |        |        | \$673.61   |



## ROTARY NOZZLES



a-g



h-j

| MOD | SPRAY PATTERN | NOZZLE SIZE | <br>MAX<br>psi | INLET<br>in | MAX TEMP<br>° F | LIST PRICE<br>\$ |
|-----|---------------|-------------|---|-------------|-----------------|------------------|
|-----|---------------|-------------|---|-------------|-----------------|------------------|

### Rotary Series Nozzles

Rotating high impact ceramic nozzle 0° impact with 25° pattern

|          |      |     |     |       |        |        |          |
|----------|------|-----|-----|-------|--------|--------|----------|
| <b>a</b> | 5402 | 25° | 3.5 | 4,000 | 1/4" F | 194° F | \$101.22 |
| <b>b</b> | 5403 | 25° | 4   | 4,000 | 1/4" F | 194° F | \$101.22 |
| <b>c</b> | 5404 | 25° | 4.5 | 4,000 | 1/4" F | 194° F | \$101.22 |
| <b>d</b> | 5410 | 25° | 3.5 | 5,000 | 1/4" F | 194° F | \$225.89 |
| <b>e</b> | 5411 | 25° | 4   | 5,000 | 1/4" F | 194° F | \$225.89 |
| <b>f</b> | 5412 | 25° | 4.5 | 5,000 | 1/4" F | 194° F | \$225.89 |
| <b>g</b> | 5413 | 25° | 5   | 5,000 | 1/4" F | 194° F | \$225.89 |

### High Pressure Rotating Nozzle

|          |         |     |     |       |        |        |            |
|----------|---------|-----|-----|-------|--------|--------|------------|
| <b>h</b> | AR40395 | 20° | 4   | 7,000 | 1/4" F | 194° F | \$2,376.55 |
| <b>i</b> | AR50726 | 20° | 6   | 7,000 | 1/4" F | 194° F | \$2,106.05 |
| <b>j</b> | AR40396 | 20° | 4.5 | 7,000 | 1/4" F | 194° F | \$2,471.20 |



a-g

| MOD | ORIFICE SIZE<br>mm | NOZZLE SIZE | <br>MAX<br>psi | INLET<br>in | COLOR ID | MAX TEMP<br>° F | LIST PRICE<br>\$ |
|-----|--------------------|-------------|---|-------------|----------|-----------------|------------------|
|-----|--------------------|-------------|---|-------------|----------|-----------------|------------------|

### TPL Series

The Turbo Nozzle delivers maximum cleaning power. The internally rotating nozzle conveys the water power spins it in a circle to clean a much larger area. For best results, match pump output specification to those of the turbo nozzle.

|          |        |     |     |       |        |             |        |         |
|----------|--------|-----|-----|-------|--------|-------------|--------|---------|
| <b>a</b> | TPL027 | 1.0 | 2.7 | 4,000 | 1/4" F | Lilac       | 194° F | \$64.57 |
| <b>b</b> | TPL033 | 1.1 | 3.3 | 4,000 | 1/4" F | Light Green | 194° F | \$64.57 |
| <b>c</b> | TPL039 | 1.2 | 3.9 | 4,000 | 1/4" F | Dark Green  | 194° F | \$64.57 |
| <b>d</b> | TPL046 | 1.3 | 4.6 | 4,000 | 1/4" F | Dark Yellow | 194° F | \$64.57 |
| <b>e</b> | TPL052 | 1.4 | 5.2 | 4,000 | 1/4" F | Brown       | 194° F | \$64.57 |



# ACCESSORIES

## ROTARY NOZZLES



20° Spray Angle

a-m



20° Spray Angle

a-m

| MOD | NOZZLE SIZE |  MAX | INLET | MAX TEMP | LIST PRICE |
|-----|-------------|---|-------|----------|------------|
|     |             | psi   | in    | ° F      | \$         |

### TPR - 255 Series Rotating Nozzles

Vertical Start

|          |              |                 |       |        |        |          |
|----------|--------------|-----------------|-------|--------|--------|----------|
| <b>a</b> | TPR255-02    | 2               | 3,700 | 1/4" F | 212° F | \$120.75 |
| <b>b</b> | TPR255-025   | 2.5             | 3,700 | 1/4" F | 212° F | \$120.75 |
| <b>c</b> | TPR255-03    | 3               | 3,700 | 1/4" F | 212° F | \$120.75 |
| <b>d</b> | TPR255-035   | 3.5             | 3,700 | 1/4" F | 212° F | \$120.75 |
| <b>e</b> | TPR255-04    | 4               | 3,700 | 1/4" F | 212° F | \$120.75 |
| <b>f</b> | TPR255-045   | 4.5             | 3,700 | 1/4" F | 212° F | \$120.75 |
| <b>g</b> | TPR255-05    | 5               | 3,700 | 1/4" F | 212° F | \$120.75 |
| <b>h</b> | TPR255-055   | 5.5             | 3,700 | 1/4" F | 212° F | \$120.75 |
| <b>i</b> | TPR255-06    | 6               | 3,700 | 1/4" F | 212° F | \$120.75 |
| <b>j</b> | TPR255-065   | 6.5             | 3,700 | 1/4" F | 212° F | \$120.75 |
| <b>k</b> | TPR255-07    | 7               | 3,700 | 1/4" F | 212° F | \$120.75 |
| <b>l</b> | TPR255-075   | 7.5             | 3,700 | 1/4" F | 212° F | \$120.75 |
| <b>m</b> | TPR255-08    | 8               | 3,700 | 1/4" F | 212° F | \$120.75 |
| <b>n</b> | ML4069900017 | Kit: TPR255-02  |       |        |        | \$63.70  |
| <b>o</b> | ML4069900018 | Kit: TPR255-025 |       |        |        | \$63.70  |
| <b>p</b> | ML4069900019 | Kit: TPR255-03  |       |        |        | \$63.70  |
| <b>q</b> | ML4069900020 | Kit: TPR255-035 |       |        |        | \$63.70  |
| <b>r</b> | ML4069900021 | Kit: TPR255-04  |       |        |        | \$63.70  |
| <b>s</b> | ML4069900022 | Kit: TPR255-045 |       |        |        | \$63.70  |
| <b>t</b> | ML4069900023 | Kit: TPR255-05  |       |        |        | \$63.70  |
| <b>u</b> | ML4069900024 | Kit: TPR255-055 |       |        |        | \$63.70  |
| <b>v</b> | ML4069900025 | Kit: TPR255-06  |       |        |        | \$63.70  |
| <b>w</b> | ML4069900026 | Kit: TPR255-065 |       |        |        | \$63.70  |
| <b>x</b> | ML4069900027 | Kit: TPR255-07  |       |        |        | \$63.70  |
| <b>y</b> | ML4069900028 | Kit: TPR255-075 |       |        |        | \$63.70  |
| <b>z</b> | ML4069900029 | Kit: TPR255-08  |       |        |        | \$63.70  |

| MOD | NOZZLE SIZE |  MAX | INLET | MAX TEMP | LIST PRICE |
|-----|-------------|---|-------|----------|------------|
|     |             | psi   | in    | ° F      | \$         |

### TPR - 350 Series Rotating Nozzles

Vertical Start


|          |              |                 |       |        |        |          |
|----------|--------------|-----------------|-------|--------|--------|----------|
| <b>a</b> | TPR350-02    | 2               | 5,075 | 1/4" F | 212° F | \$164.66 |
| <b>b</b> | TPR350-025   | 2.5             | 5,075 | 1/4" F | 212° F | \$164.66 |
| <b>c</b> | TPR350-03    | 3               | 5,075 | 1/4" F | 212° F | \$164.66 |
| <b>d</b> | TPR350-035   | 3.5             | 5,075 | 1/4" F | 212° F | \$164.66 |
| <b>e</b> | TPR350-04    | 4               | 5,075 | 1/4" F | 212° F | \$164.66 |
| <b>f</b> | TPR350-045   | 4.5             | 5,075 | 1/4" F | 212° F | \$164.66 |
| <b>g</b> | TPR350-05    | 5               | 5,075 | 1/4" F | 212° F | \$164.66 |
| <b>h</b> | TPR350-055   | 5.5             | 5,075 | 1/4" F | 212° F | \$164.66 |
| <b>i</b> | TPR350-06    | 6               | 5,075 | 1/4" F | 212° F | \$164.66 |
| <b>j</b> | TPR350-065   | 6.5             | 5,075 | 1/4" F | 212° F | \$164.66 |
| <b>k</b> | TPR350-07    | 7               | 5,075 | 1/4" F | 212° F | \$164.66 |
| <b>l</b> | TPR350-075   | 7.5             | 5,075 | 1/4" F | 212° F | \$164.66 |
| <b>m</b> | TPR350-08    | 8               | 5,075 | 1/4" F | 212° F | \$164.66 |
| <b>n</b> | ML4069900034 | Kit: TPR350-02  |       |        |        | \$75.27  |
| <b>o</b> | ML4069900035 | Kit: TPR350-025 |       |        |        | \$75.27  |
| <b>p</b> | ML4069900036 | Kit: TPR350-03  |       |        |        | \$75.27  |
| <b>q</b> | ML4069900037 | Kit: TPR350-035 |       |        |        | \$75.27  |
| <b>r</b> | ML4069900038 | Kit: TPR350-04  |       |        |        | \$75.27  |
| <b>s</b> | ML4069900039 | Kit: TPR350-045 |       |        |        | \$75.27  |
| <b>t</b> | ML4069900040 | Kit: TPR350-05  |       |        |        | \$75.27  |
| <b>u</b> | ML4069900041 | Kit: TPR350-055 |       |        |        | \$75.27  |
| <b>v</b> | ML4069900042 | Kit: TPR350-06  |       |        |        | \$75.27  |
| <b>w</b> | ML4069900043 | Kit: TPR350-065 |       |        |        | \$75.27  |
| <b>x</b> | ML4069900044 | Kit: TPR350-07  |       |        |        | \$75.27  |
| <b>y</b> | ML4069900045 | Kit: TPR350-075 |       |        |        | \$75.27  |
| <b>z</b> | ML4069900046 | Kit: TPR350-08  |       |        |        | \$75.27  |



## ROTARY NOZZLES



a-q

| MOD                                      | SPRAY ANGLE   | NOZZLE SIZE     |  MAX | INLET | MAX TEMP   | LIST PRICE |          |
|--|---------------|-----------------|---|-------|------------|------------|----------|
|  | °             |                 | psi   | in    | ° F        | \$         |          |
| <b>TPR - 400 Series Rotating Nozzles</b> |               |                 |   |       |            |            |          |
| Vertical Start                           |               |                 |   |       |            |            |          |
| <b>a</b>                                 | TPR400-02     | 20°             | 2   | 5,800 | 1/4" F     | 212° F     | \$252.12 |
| <b>b</b>                                 | TPR400-025    | 20°             | 2.5   | 5,800 | 1/4" F     | 212° F     | \$252.12 |
| <b>c</b>                                 | TPR400-03     | 20°             | 3   | 5,800 | 1/4" F     | 212° F     | \$252.12 |
| <b>d</b>                                 | TPR400-035    | 20°             | 3.5   | 5,800 | 1/4" F     | 212° F     | \$252.12 |
| <b>e</b>                                 | TPR400-04     | 20°             | 4   | 5,800 | 1/4" F     | 212° F     | \$252.12 |
| <b>f</b>                                 | TPR400-045    | 20°             | 4.5   | 5,800 | 1/4" F     | 212° F     | \$252.12 |
| <b>g</b>                                 | TPR400-05     | 20°             | 5   | 5,800 | 1/4" F     | 212° F     | \$252.12 |
| <b>h</b>                                 | TPR400-055    | 20°             | 5.5   | 5,800 | 1/4" F     | 212° F     | \$252.12 |
| <b>i</b>                                 | TPR400-06     | 20°             | 6   | 5,800 | 1/4" F     | 212° F     | \$252.12 |
| <b>j</b>                                 | TPR400-065    | 20°             | 6.5   | 5,800 | 1/4" F     | 212° F     | \$252.12 |
| <b>k</b>                                 | TPR400-07     | 20°             | 7   | 5,800 | 1/4" F     | 212° F     | \$252.12 |
| <b>l</b>                                 | TPR400-075    | 20°             | 7.5   | 5,800 | 1/4" F     | 212° F     | \$252.12 |
| <b>m</b>                                 | TPR400-08     | 20°             | 8   | 5,800 | 1/4" F     | 212° F     | \$252.12 |
| <b>n</b>                                 | TPR400-10     | 20°             | 10  | 5,800 | 1/4" F     | 212° F     | \$252.12 |
| <b>o</b>                                 | TPR400-10-1/2 | 20°             | 10  | 5,800 | 1/2" F NPT | 212° F     | \$236.76 |
| <b>p</b>                                 | TPR400-12     | 20°             | 12  | 5,800 | 1/4" F     | 212° F     | \$252.12 |
| <b>q</b>                                 | TPR400-12-1/2 | 20°             | 12  | 5,800 | 1/2" F NPT | 212° F     | \$236.76 |
| <b>r</b>                                 | ML4069900051  | Kit: TPR400-02  |   |       |            |            | \$115.81 |
| <b>s</b>                                 | ML4069900052  | Kit: TPR400-025 |   |       |            |            | \$115.81 |
| <b>t</b>                                 | ML4069900053  | Kit: TPR400-03  |   |       |            |            | \$115.81 |
| <b>u</b>                                 | ML4069900054  | Kit: TPR400-035 |   |       |            |            | \$115.81 |
| <b>v</b>                                 | ML4069900055  | Kit: TPR400-04  |   |       |            |            | \$115.81 |
| <b>w</b>                                 | ML4069900056  | Kit: TPR400-045 |   |       |            |            | \$115.81 |
| <b>x</b>                                 | ML4069900057  | Kit: TPR400-05  |   |       |            |            | \$115.81 |
| <b>y</b>                                 | ML4069900058  | Kit: TPR400-055 |   |       |            |            | \$115.81 |
| <b>z</b>                                 | ML4069900059  | Kit: TPR400-06  |   |       |            |            | \$115.81 |
| <b>a2</b>                                | ML4069900060  | Kit: TPR400-065 |   |       |            |            | \$115.81 |
| <b>b2</b>                                | ML4069900061  | Kit: TPR400-07  |   |       |            |            | \$115.81 |
| <b>c2</b>                                | ML4069900062  | Kit: TPR400-075 |   |       |            |            | \$115.81 |
| <b>d2</b>                                | ML4069900063  | Kit: TPR400-08  |   |       |            |            | \$115.81 |
| <b>e2</b>                                | ML4069900064  | Kit: TPR400-09  |   |       |            |            | \$173.10 |
| <b>f2</b>                                | ML4069900065  | Kit: TPR400-10  |   |       |            |            | \$173.10 |
| <b>g2</b>                                | ML4069900066  | Kit: TPR400-11  |   |       |            |            | \$173.10 |
| <b>h2</b>                                | ML4069900067  | Kit: TPR400-12  |   |       |            |            | \$173.10 |





# ACCESSORIES

## ROTARY NOZZLES



20° Spray Angle

a-l



20° Spray Angle

a-l

| MOD | NOZZLE SIZE |  MAX | INLET | MAX TEMP | LIST PRICE |
|-----|-------------|---|-------|----------|------------|
|     |             | psi   | in    | ° F      | \$         |

### TPR - 600 Series Stainless Steel Rotating Nozzles Vertical Start

|          |              |                 |      |        |        |            |
|----------|--------------|-----------------|------|--------|--------|------------|
| <b>a</b> | TPR600-02    | 2               | 8700 | 1/4" F | 212° F | \$1,081.31 |
| <b>b</b> | TPR600-025   | 2.5             | 8700 | 1/4" F | 212° F | \$1,081.31 |
| <b>c</b> | TPR600-03    | 3               | 8700 | 1/4" F | 212° F | \$1,081.31 |
| <b>d</b> | TPR600-035   | 3.5             | 8700 | 1/4" F | 212° F | \$1,081.31 |
| <b>e</b> | TPR600-04    | 4               | 8700 | 1/4" F | 212° F | \$1,081.31 |
| <b>f</b> | TPR600-045   | 4.5             | 8700 | 1/4" F | 212° F | \$1,081.31 |
| <b>g</b> | TPR600-05    | 5               | 8700 | 1/4" F | 212° F | \$1,081.31 |
| <b>h</b> | TPR600-055   | 5.5             | 8700 | 1/4" F | 212° F | \$1,081.31 |
| <b>i</b> | TPR600-06    | 6               | 8700 | 1/4" F | 212° F | \$1,081.31 |
| <b>j</b> | TPR600-065   | 6.5             | 8700 | 1/4" F | 212° F | \$1,081.31 |
| <b>k</b> | TPR600-07    | 7               | 8700 | 1/4" F | 212° F | \$1,081.31 |
| <b>l</b> | TPR600-075   | 7.5             | 8700 | 1/4" F | 212° F | \$1,081.31 |
| <b>m</b> | ML4069900068 | Kit: TPR600-02  |      |        |        | \$593.50   |
| <b>n</b> | ML4069900069 | Kit: TPR600-025 |      |        |        | \$593.50   |
| <b>o</b> | ML4069900070 | Kit: TPR600-03  |      |        |        | \$593.50   |
| <b>p</b> | ML4069900071 | Kit: TPR600-035 |      |        |        | \$593.50   |
| <b>q</b> | ML4069900072 | Kit: TPR600-04  |      |        |        | \$593.50   |
| <b>r</b> | ML4069900073 | Kit: TPR600-045 |      |        |        | \$593.50   |
| <b>s</b> | ML4069900074 | Kit: TPR600-05  |      |        |        | \$593.50   |
| <b>t</b> | ML4069900075 | Kit: TPR600-055 |      |        |        | \$593.50   |
| <b>u</b> | ML4069900076 | Kit: TPR600-06  |      |        |        | \$593.50   |
| <b>v</b> | ML4069900077 | Kit: TPR600-065 |      |        |        | \$593.50   |
| <b>w</b> | ML4069900078 | Kit: TPR600-07  |      |        |        | \$593.50   |
| <b>x</b> | ML4069900079 | Kit: TPR600-075 |      |        |        | \$593.50   |

| MOD | NOZZLE SIZE |  MAX | INLET | MAX TEMP | LIST PRICE |
|-----|-------------|---|-------|----------|------------|
|     |             | psi   | in    | ° F      | \$         |

### TPR - 800 Series Stainless Steel Rotating Nozzles Vertical Start

|          |              |                 |        |        |        |            |
|----------|--------------|-----------------|--------|--------|--------|------------|
| <b>a</b> | TPR800-02    | 2               | 11,600 | 1/4" F | 212° F | \$1,872.51 |
| <b>b</b> | TPR800-025   | 2.5             | 11,600 | 1/4" F | 212° F | \$1,872.51 |
| <b>c</b> | TPR800-03    | 3               | 11,600 | 1/4" F | 212° F | \$1,872.51 |
| <b>d</b> | TPR800-035   | 3.5             | 11,600 | 1/4" F | 212° F | \$1,872.51 |
| <b>e</b> | TPR800-04    | 4               | 11,600 | 1/4" F | 212° F | \$1,872.51 |
| <b>f</b> | TPR800-045   | 4.5             | 11,600 | 1/4" F | 212° F | \$1,872.51 |
| <b>g</b> | TPR800-05    | 5               | 11,600 | 1/4" F | 212° F | \$1,872.51 |
| <b>h</b> | TPR800-055   | 5.5             | 11,600 | 1/4" F | 212° F | \$1,872.51 |
| <b>i</b> | TPR800-06    | 6               | 11,600 | 1/4" F | 212° F | \$1,872.51 |
| <b>j</b> | TPR800-065   | 6.5             | 11,600 | 1/4" F | 212° F | \$1,872.51 |
| <b>k</b> | TPR800-07    | 7               | 11,600 | 1/4" F | 212° F | \$1,872.51 |
| <b>l</b> | TPR800-075   | 7.5             | 11,600 | 1/4" F | 212° F | \$1,872.51 |
| <b>m</b> | ML4069900080 | Kit: TPR800-02  |        |        |        | \$694.82   |
| <b>n</b> | ML4069900081 | Kit: TPR800-025 |        |        |        | \$694.82   |
| <b>o</b> | ML4069900082 | Kit: TPR800-03  |        |        |        | \$694.82   |
| <b>p</b> | ML4069900083 | Kit: TPR800-035 |        |        |        | \$694.82   |
| <b>q</b> | ML4069900084 | Kit: TPR800-04  |        |        |        | \$694.82   |
| <b>r</b> | ML4069900085 | Kit: TPR800-045 |        |        |        | \$694.82   |
| <b>s</b> | ML4069900086 | Kit: TPR800-05  |        |        |        | \$694.82   |
| <b>t</b> | ML4069900087 | Kit: TPR800-055 |        |        |        | \$694.82   |
| <b>u</b> | ML4069900088 | Kit: TPR800-06  |        |        |        | \$694.82   |
| <b>v</b> | ML4069900089 | Kit: TPR800-065 |        |        |        | \$694.82   |
| <b>w</b> | ML4069900090 | Kit: TPR800-07  |        |        |        | \$694.82   |
| <b>x</b> | ML4069900091 | Kit: TPR800-075 |        |        |        | \$694.82   |



## HIGH PRESSURE SOAP NOZZLES



**a**



**b-c**




**d**



**e**



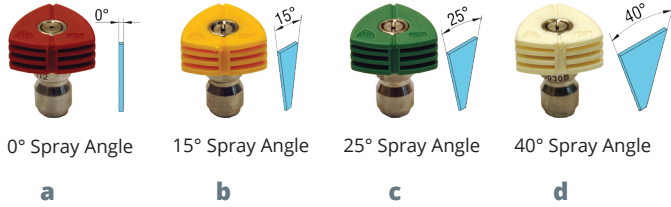
**f-h**

| MOD                               | SPRAY ANGLE | NOZZLE SIZE | CONNECT TYPE | <br>MAX<br>psi | LIST PRICE<br>\$ |
|-----------------------------------|-------------|-------------|--------------|---|------------------|
| <b>NZM - MEG Soap Nozzles</b>     |             |             |              |   |                  |
| <b>a</b> NZM6540S                 | 65°         | 40.0        | MEG          | 500   | \$3.90           |
| <b>NZ - Quick Connect Nozzles</b> |             |             |              |   |                  |
| <b>b</b> NZ2540QCS                | 25°         | 40.0        | QC           | 500   | \$13.44          |
| <b>c</b> NZ5050QCS                | 50°         | 50.0        | QC           | 500   | \$12.51          |
| <b>d</b> NZM6540QCSB              | 65°         | 40.0        | QC           | 500   | \$6.39           |
| <b>e</b> NZ0-6540QCS              | 0-65°       | 40.0        | QC           | 500   | \$17.97          |
| <b>NZ - MEG Soap Nozzles</b>      |             |             |              |   |                  |
| <b>f</b> NZ4040S                  | 40°         | 40.0        | MEG          | 500   | \$9.32           |
| <b>g</b> NZ6540S                  | 65°         | 40.0        | MEG          | 500   | \$8.36           |
| <b>h</b> NZ8040S                  | 80°         | 40.0        | MEG          | 500   | \$9.32           |

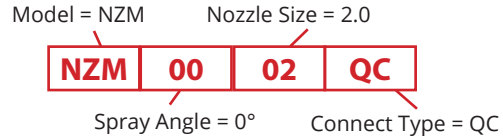


# ACCESSORIES

## QUICK CONNECT NOZZLES



### QC Ordering Nozzle Guide



| MOD | SPRAY ANGLE | AVAILABLE NOZZLE SIZES | CONNECT TYPE | MAX<br>psi | MAX TEMP<br>° F | LIST PRICE<br>\$ |
|-----|-------------|------------------------|--------------|------------|-----------------|------------------|
|-----|-------------|------------------------|--------------|------------|-----------------|------------------|

### NZM 1/4" Quick Connect Nozzles

|          |     |              |  |    |       |        |        |
|----------|-----|--------------|--|----|-------|--------|--------|
| <b>a</b> | NZM | 0° (Red)     |  | QC | 4,000 | 212° F | \$6.61 |
| <b>b</b> | NZM | 15° (Yellow) | 2.0, 2.5, 3.0, 3.5, 4.0, 4.5, 5.0, 5.5,    | QC | 4,000 | 212° F | \$6.61 |
| <b>c</b> | NZM | 25° (Green)  | 6.0, 6.5, 7.0, 7.5, 8.0, 8.5, 9.0, 9.5, 10 | QC | 4,000 | 212° F | \$6.61 |
| <b>d</b> | NZM | 40° (White)  |  | QC | 4,000 | 212° F | \$6.61 |

### NZ 1/4" Quick Connect Nozzles

|          |    |              |   |    |       |        |         |
|----------|----|--------------|---|----|-------|--------|---------|
| <b>e</b> | NZ | 0° (Red)     | 3.0, 3.5, 4.0, 4.5, 5.0, 5.5, 6.0, 6.5, 7.0, 7.5, 8.0, 10.0, 12.0                 | QC | 4,000 | 300° F | \$14.81 |
| <b>f</b> | NZ | 15° (Yellow) | 3.0, 3.5, 4.0, 4.5, 5.0, 5.5, 6.0, 6.5, 7.0, 7.5, 8.0, 9.0, 10.0, 12.0, 15.0      | QC | 4,000 | 300° F | \$14.81 |
| <b>g</b> | NZ | 25° (Green)  | 2.0, 3.0, 3.5, 4.0, 4.5, 5.0, 5.5, 6.0, 6.5, 7.0, 7.5, 8.0, 9.0, 10.0, 12.0       | QC | 4,000 | 300° F | \$14.81 |
| <b>h</b> | NZ | 40° (White)  | 2.0, 3.0, 3.5, 4.0, 4.5, 5.0, 5.5, 6.0, 6.5, 7.0, 7.5, 8.0, 9.0, 10.0, 12.0, 15.0 | QC | 4,000 | 300° F | \$14.81 |

### NZC 1/4" Quick Connect Nozzles - Ceramic

|          |     |              |   |    |       |        |         |
|----------|-----|--------------|---|----|-------|--------|---------|
| <b>i</b> | NZC | 0° (Red)     |   | QC | 5,075 | 300° F | \$30.10 |
| <b>j</b> | NZC | 15° (Yellow) | 2.0, 2.5, 3.0, 3.5, 4.0, 4.5, 5.0, 5.5, 6.0,    | QC | 5,075 | 300° F | \$30.10 |
| <b>k</b> | NZC | 25° (Green)  | 6.5, 7.0, 7.5, 8.0, 9.0, 10.0, 11.0, 12.0, 15.0 | QC | 5,075 | 300° F | \$30.10 |
| <b>l</b> | NZC | 40° (White)  |   | QC | 5,075 | 300° F | \$30.10 |

\*Larger nozzle sizes available.  
Call for more details.



## QUICK CONNECT NOZZLE MULTI-PACKS



a-d








e-h



i-l



m-p

| MOD  | SPRAY ANGLE | AVAILABLE NOZZLE SIZES | CONNECT TYPE | <br>MAX<br>psi | LIST PRICE<br>\$ |         |
|--|-------------|------------------------|--------------|---|------------------|---------|
| <b>4-Packs</b>    |             |                        |              |   |                  |         |
| a  | NZQC4P-030  | 0°- 40°                | 3.0          | QC  | 4,000            | \$51.23 |
| b  | NZQC4P-035  | 0°- 40°                | 3.5          | QC  | 4,000            | \$51.23 |
| c  | NZQC4P-040  | 0°- 40°                | 4.0          | QC  | 4,000            | \$51.23 |
| d  | NZQC4P-045  | 0°- 40°                | 4.5          | QC  | 4,000            | \$51.23 |
| <b>5-Packs</b><br>Includes 50° Spray Angle Soap Nozzle   |             |                        |              |   |                  |         |
| e  | NZQC5P-030  | 0°- 40°                | 3.0          | QC  | 4,000            | \$58.06 |
| f  | NZQC5P-035  | 0°- 40°                | 3.5          | QC  | 4,000            | \$63.16 |
| g  | NZQC5P-040  | 0°- 40°                | 4.0          | QC  | 4,000            | \$63.16 |
| h  | NZQC5P-045  | 0°- 40°                | 4.5          | QC  | 4,000            | \$58.06 |
| <b>4-Packs</b>    |             |                        |              |   |                  |         |
| i  | NZMQC4P-030 | 0°- 40°                | 3.0          | QC  | 4,000            | \$35.30 |
| j  | NZMQC4P-035 | 0°- 40°                | 3.5          | QC  | 4,000            | \$35.30 |
| k  | NZMQC4P-040 | 0°- 40°                | 4.0          | QC  | 4,000            | \$35.30 |
| l  | NZMQC4P-045 | 0°- 40°                | 4.5          | QC  | 4,000            | \$35.30 |
| <b>5-Packs</b><br>Includes 50° Spray Angle Soap Nozzle  |             |                        |              |   |                  |         |
| m  | NZMQC5P-030 | 0°- 40°                | 3.0          | QC  | 4,000            | \$37.06 |
| n  | NZMQC5P-035 | 0°- 40°                | 3.5          | QC  | 4,000            | \$37.06 |
| o  | NZMQC5P-040 | 0°- 40°                | 4.0          | QC  | 4,000            | \$37.06 |
| p  | NZMQC5P-045 | 0°- 40°                | 4.5          | QC  | 4,000            | \$37.06 |

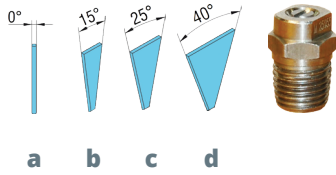
\*Additional nozzle size packs available upon request.



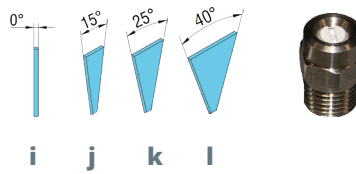
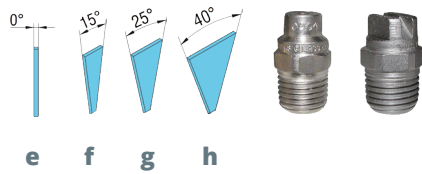
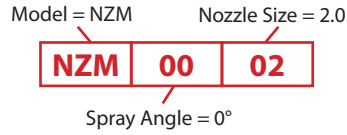





# ACCESSORIES

## MEG NOZZLES



### MEG Ordering Nozzle Guide



| MOD   | SPRAY ANGLE | AVAILABLE NOZZLE SIZES  | CONNECT TYPE |  MAX<br>psi | LIST PRICE<br>\$ |
|---|-------------|---|--------------|--|------------------|
| <b>NZM 1/4" MEG Nozzles</b>  |             |   |              |  |                  |
| <b>a</b>  | NZM 0°      |   | MEG          | 4,000  | \$6.96           |
| <b>b</b>  | NZM 15°     | 2.0, 2.5, 3.0, 3.5, 4.0, 4.5, 5.0, 5.5, 6.0, 6.5, 7.0, 7.5, 8.0, 8.5, 9.0, 9.5, 10                          | MEG          | 4,000  | \$6.96           |
| <b>c</b>  | NZM 25°     |   | MEG          | 4,000  | \$6.96           |
| <b>d</b>  | NZM 40°     |   | MEG          | 4,000  | \$6.96           |
| <b>NZ 1/4" MEG Nozzles</b>   |             |   |              |  |                  |
| <b>e</b>  | NZ 0°       | 3.0, 3.5, 4.0, 4.5, 5.0, 5.5, 6.0, 6.5  | MEG          | 4,000  | \$12.39          |
| <b>f</b>  | NZ 15°      | 3.0, 3.5, 4.0, 4.5, 5.0, 5.5, 6.0, 6.5, 10.0  | MEG          | 4,000  | \$12.39          |
| <b>g</b>  | NZ 25°      | 3.0, 3.5, 4.0, 4.5, 5.0, 5.5, 6.0, 6.5  | MEG          | 4,000  | \$12.39          |
| <b>h</b>  | NZ 40°      | 3.0, 3.5, 4.0, 4.5, 5.0, 5.5, 6.0, 6.5  | MEG          | 4,000  | \$12.39          |
| <b>NZC 1/4" MEG Nozzles - Ceramic</b> <a href="http://mecLine.com">mecLine</a>                                  |             |   |              |  |                  |
| <b>i</b>  | NZC 0°      | 1.0, 2.0, 2.5, 3.0, 3.5, 4.0, 4.5, 5.0, 5.5, 6.0, 6.5, 7.0, 7.5, 8.0, 8.5, 9.0, 10.0, 11.0, 12.0, 15.0      | MEG          | 5,000  | \$24.62          |
| <b>j</b>  | NZC 15°     | 1.0, 1.5, 2.0, 2.5, 3.0, 3.5, 4.0, 4.5, 5.0, 5.5, 6.0, 6.5, 7.0, 7.5, 8.0, 8.5, 9.0, 10.0, 11.0, 12.0, 15.0 | MEG          | 5,000  | \$24.62          |
| <b>k</b>  | NZC 25°     | 1.0, 1.5, 2.0, 2.5, 3.0, 3.5, 4.0, 4.5, 5.0, 5.5, 6.0, 6.5, 7.0, 7.5, 8.0, 8.5, 9.0, 10.0, 11.0, 12.0, 15.0 | MEG          | 5,000  | \$24.62          |
| <b>l</b>  | NZC 40°     | 1.0, 1.5, 2.0, 2.5, 3.0, 3.5, 4.0, 4.5, 5.0, 5.5, 6.0, 6.5, 7.0, 7.5, 8.0, 8.5, 9.0, 10.0, 11.0, 12.0, 15.0 | MEG          | 5,000  | \$24.62          |

\*Larger nozzle sizes available.  
Call for more details.






## MEG NOZZLE MULTI-PACKS



a-d



e-h

| MOD   | SPRAY ANGLE | AVAILABLE NOZZLE SIZES | CONNECT TYPE | <br>MAX<br>psi | LIST PRICE<br>\$ |
|---|-------------|------------------------|--------------|---|------------------|
| <b>4-Packs</b>   |             |                        |              |   |                  |
| <b>a</b> NZMEG4P-030  | 0°- 40°     | 3.0                    | MEG          | 4,000   | \$57.02          |
| <b>b</b> NZMEG4P-035  | 0°- 40°     | 3.5                    | MEG          | 4,000   | \$57.02          |
| <b>c</b> NZMEG4P-040  | 0°- 40°     | 4.0                    | MEG          | 4,000   | \$57.02          |
| <b>d</b> NZMEG4P-045  | 0°- 40°     | 4.5                    | MEG          | 4,000   | \$57.02          |
| <b>5-Packs</b> <br>Includes 50° Spray Angle Soap Nozzle |             |                        |              |   |                  |
| <b>e</b> NZMEG5P-030  | 0°- 40°     | 3.0                    | MEG          | 4,000   | \$66.79          |
| <b>f</b> NZMEG5P-035  | 0°- 40°     | 3.5                    | MEG          | 4,000   | \$66.79          |
| <b>g</b> NZMEG5P-040  | 0°- 40°     | 4.0                    | MEG          | 4,000   | \$66.79          |
| <b>h</b> NZMEG5P-045  | 0°- 40°     | 4.5                    | MEG          | 4,000   | \$66.79          |

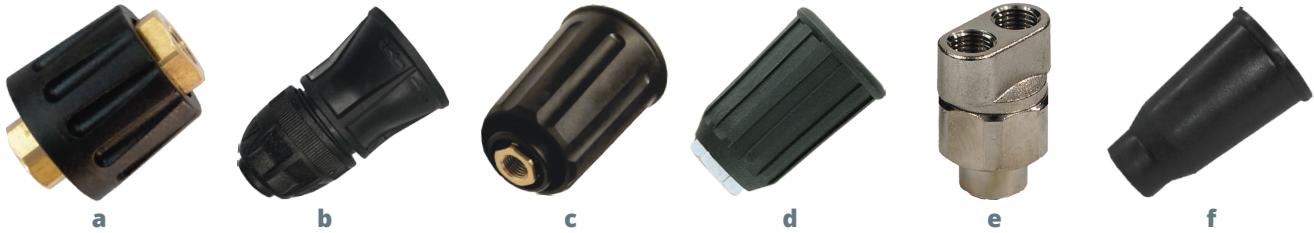
\*Additional nozzle size packs available upon request.





# ACCESSORIES

## NOZZLE HOLDERS

The Nozzle Holders offer a simple method for controlling pressure in the system. Available as an adjustable hi/low nozzle holder, or as a change over nozzle. These fittings reduce the work needed during typical cleaning operations.



| MOD   | <br>MAX<br>psi | <br>MAX<br>gpm | INLET<br>in | OUTLET       | MAX TEMP<br>° F | LIST PRICE<br>\$ |
|---|---|---|-------------|--------------|-----------------|------------------|
| <b>5420 - Chemical Application</b><br>Nozzle Holder |   |   |             |              |                 |                  |
| <b>a</b> 5420                                       | 3,600   | 8   | 1/4" F      | 1/4" F       | 300°            | \$20.81          |
| <b>AN25</b><br>Adjustable Nozzle Holder             |   |   |             |              |                 |                  |
| <b>b</b> AN25                                       | 3,650   | 8   | 1/4" F      | 1/4" F       | 320°            | \$29.51          |
| <b>AN28</b><br>Hi/Low Nozzle Holder                 |   |   |             |              |                 |                  |
| <b>c</b> AN28                                       | 4,060   | 8   | 1/4" F (G)  | 1/4" F (NPT) | 320°            | \$37.18          |
| <b>MV114</b><br>Nozzle Holder                       |   |   |             |              |                 |                  |
| <b>d</b> MV114                                      | 5,075   | 16  | 1/4" F      | 1/4" F       | 300°            | \$6.26           |
| <b>AL416</b><br>Change Over Nozzle                  |   |   |             |              |                 |                  |
| <b>e</b> AL416                                      | 2,900   | 8   | 1/4" F      | 2 x 1/4" F   | 300°            | \$47.80          |
| <b>AL14TP</b><br>Nozzle Protector                   |   |   |             |              |                 |                  |
| <b>f</b> AL14TP                                     | -   | -   | 1/4" F      | -            | 300°            | \$6.85           |



## FOAMERS



| MOD | CAPACITY | ORIFICE SIZE | NOZZLE SIZE |  MAX |  MAX | INLET | MAX TEMP | LIST PRICE |
|-----|----------|--------------|-------------|---|--|-------|----------|------------|
|     | oz       | mm           |             | psi   | gpm  | in    | ° F      | \$         |

### Foamers

|          |             |    |      |      |       |     |        |        |          |
|----------|-------------|----|------|------|-------|-----|--------|--------|----------|
| <b>a</b> | FL803       | 32 | 1.25 | 3.5  | 2,900 | 4.8 | 1/4" F | 140° F | \$104.69 |
| <b>b</b> | AR5940K     | 32 | 1.25 | 3.5  | 4,000 | 2.8 | 1/4" F | 140° F | \$82.18  |
| <b>c</b> | FL1000B-1.6 | 32 | 1.6  | 6.0  | 4,500 | 8   | 1/4" F | 140° F | \$162.88 |
| <b>d</b> | FL1000B-1.8 | 32 | 1.8  | 9.0  | 4,500 | 8   | 1/4" F | 140° F | \$162.88 |
| <b>e</b> | FL1000B-2.1 | 32 | 2.1  | 12.0 | 4,500 | 8   | 1/4" F | 140° F | \$162.88 |
| <b>f</b> | PF22.2      | 32 | 1.5  | 5.0  | 5000  | 5.6 | 1/4" F | 140° F | \$209.73 |



a-c

| MOD | ORIFICE SIZE | NOZZLE SIZE |  MAX |  MAX | INLET | MAX TEMP | LIST PRICE |
|-----|--------------|-------------|---|---|-------|----------|------------|
|     | mm           |             | psi   | gpm   | in    | ° F      | \$         |

### Foamer without Detergent Bottle

|          |             |     |      |       |   |        |        |          |
|----------|-------------|-----|------|-------|---|--------|--------|----------|
| <b>a</b> | FL1000I-1.6 | 1.6 | 6.0  | 4,500 | 8 | 1/4" F | 140° F | \$153.44 |
| <b>b</b> | FL1000I-1.8 | 1.8 | 9.0  | 4,500 | 8 | 1/4" F | 140° F | \$153.44 |
| <b>c</b> | FL1000I-2.1 | 2.1 | 12.0 | 4,500 | 8 | 1/4" F | 140° F | \$153.44 |





# ACCESSORIES

## BOLONDI CLEANING HEADS



| MOD | # OF NOZZLES | MATERIAL |  MAX<br>gpm |  MAX<br>psi | WATER INLET<br>in | MIN. PASS THRU HOLE<br>in | MAX TEMP<br>° F |
|-----|--------------|----------|--|---|-------------------|---------------------------|-----------------|
|-----|--------------|----------|--|---|-------------------|---------------------------|-----------------|

### BISW060-CF

2 or 4 Nozzle option. Stainless Steel Body.

|                        |                         |   |                                 |    |      |      |    |       |
|------------------------|-------------------------|---|---------------------------------|----|------|------|----|-------|
| <b>a</b> BISW060       | <input type="radio"/> ● | 4 | Aluminum-Brass OT58 - 316L S.S. | 15 | 2900 | 1" F | 4" | 194°F |
| <b>b</b> BISW060-LCH   | <input type="radio"/> ● | 4 | All 316L S.S.                   | 15 | 2900 | 1" F | 4" | 194°F |
| <b>c</b> BISW060(CF)-2 | <input type="radio"/> ● | 2 | Aluminum-Brass OT58 - 316L S.S. | 15 | 2900 | 1" F | 4" | 194°F |

### BISW060-LC

2 or 4 Nozzle option. Aluminum Body.

|                      |                         |   |                     |    |      |        |    |       |
|----------------------|-------------------------|---|---------------------|----|------|--------|----|-------|
| <b>d</b> BISW060LC-2 | <input type="radio"/> ● | 2 | Aluminum-Brass OT58 | 15 | 2900 | 1/2" F | 4" | 194°F |
| <b>e</b> BISW060LC   | <input type="radio"/> ● | 4 | Aluminum-Brass OT58 | 15 | 2900 | 1/2" F | 4" | 194°F |

### BISW120

|                    |                         |     |                      |    |      |      |    |       |
|--------------------|-------------------------|-----|----------------------|----|------|------|----|-------|
| <b>f</b> BISW120OB | <input type="radio"/> ● | 2-4 | Aluminum - 316L S.S. | 31 | 2900 | 1" F | 7" | 194°F |
|--------------------|-------------------------|-----|----------------------|----|------|------|----|-------|

### BISW053

3 or 4 Nozzle option.

|                    |   |   |                                 |        |      |        |      |       |
|--------------------|---|---|---------------------------------|--------|------|--------|------|-------|
| <b>g</b> BISW053-3 | <input type="radio"/> ● <input type="radio"/> ○ | 3 | Aluminum-Brass OT58 - 316L S.S. | 2.5-15 | 2175 | 1/2" F | 3.5" | 194°F |
| <b>h</b> BISW053-4 | <input type="radio"/> ● <input type="radio"/> ○ | 4 | Aluminum-Brass OT58 - 316L S.S. | 2.5-15 | 2175 | 1/2" F | 3.5" | 194°F |



● car wash



○ trash bin/can cleaning



● food industry



○ wine barrel



● ibc/drum totes



○ pharmaceutical/cip

**\*Please call for kits and pricing.**



## BOLONDI CLEANING HEADS



a-c





d-e



f-g



h-i

| MOD            | # OF NOZZLES | MATERIAL |  MAX<br>gpm |  MAX<br>psi | WATER INLET<br>in | MIN. PASS THRU HOLE<br>in | MAX TEMP<br>° F |       |
|----------------|--------------|----------|--|--|-------------------|---------------------------|-----------------|-------|
| <b>BIRW086</b> |              |          |  |  |                   |                           |                 |       |
| a BIRW086      | ● ○ ○        | 2-4      | 316L S.S.  | 2-16   | 3,000             | 1/2" F                    | 5.29"           | 194°F |
| b BIRW086A     | ● ○ ○        | 2-4      | 316L S.S.  | 2-16   | 3,000             | 1/2" F                    | 5.29"           | 194°F |
| c BIRW086A-TK  | ● ○ ○        | 2-4      | 316L S.S.  | 2-16   | 3,000             | 1/2" F                    | 5.29"           | 194°F |
| <b>BIRW220</b> |              |          |  |  |                   |                           |                 |       |
| d BIRW220A     | ● ○ ○        | 2        | 316L S.S.  | 15-52  | 72-435            | 1" F                      | 11.02"          | 194°F |
| <b>BIRW240</b> |              |          |  |  |                   |                           |                 |       |
| e BIRW240      | ●            | 2        | 316L S.S.  | 15-52  | 72-435            | 1" F                      | 13.78"          | 194°F |
| <b>BIPW060</b> |              |          |  |  |                   |                           |                 |       |
| f BIPW060LC    | ●            | 2-4      | Aluminum/316L S.S.   | 4-16   | 75-2,900          | 1/2" F                    | 4.5"            | 194°F |
| <b>BIPW063</b> |              |          |  |  |                   |                           |                 |       |
| g BIPW063LC    | ●            | 2-3-4    | Aluminum/316L S.S.   | 16-53  | 75-2,900          | 1" F                      | 4.5"            | 194°F |
| <b>BIPW200</b> |              |          |  |  |                   |                           |                 |       |
| h BIP200A-SL   | ●            | 2-4      | 316L S.S.  | 16-53  | 2,200             | 1" F                      | 4.5"            | 194°F |
| i BIP200A-SP   | ●            | 2-4      | 316L S.S.  | 16-53  | 2,200             | 1" F                      | 4.5"            | 194°F |



● car wash



○ trash bin/can cleaning



● food industry



○ wine barrel



● ibc/drum totes



○ pharmaceutical/cip

**\*Please call for kits and pricing.**



# ACCESSORIES

## BOLONDI CLEANING HEADS



a-c



d-f



g



l-o

| MOD | # OF NOZZLES | MATERIAL | MAX<br>gpm | MAX<br>psi | MAX<br>rpm | WATER INLET<br>in | MIN. PASS THRU HOLE<br>in | MAX TEMP<br>° F |
|-----|--------------|----------|------------|------------|------------|-------------------|---------------------------|-----------------|
|-----|--------------|----------|------------|------------|------------|-------------------|---------------------------|-----------------|

### BIXB031

|                   |         |     |                    |    |       |       |      |       |       |
|-------------------|---------|-----|--------------------|----|-------|-------|------|-------|-------|
| <b>a</b> BIXB031E | ● ○ ● ○ | 2-4 | 316L S.S. + Bronze | 16 | 2,200 | 19-51 | 1" F | 1.50" | 194°F |
| <b>b</b> BIXB031P | ● ○ ● ○ | 2-4 | 316L S.S. + Bronze | 16 | 2,200 | 19-51 | 1" F | 1.50" | 194°F |
| <b>c</b> BIXB031A | ● ○ ● ○ | 2-4 | 316L S.S. + Bronze | 16 | 2,200 | 15-25 | 1" F | 1.50" | 212°F |

### BIXB061

|                     |       |     |                    |      |       |       |      |    |       |
|---------------------|-------|-----|--------------------|------|-------|-------|------|----|-------|
| <b>d</b> BIXB061E   | ● ○ ● | 2-4 | 316L S.S. + Bronze | 15.8 | 2,900 | 24    | 1" F | 3" | 194°F |
| <b>e</b> BIXB061P   | ● ○ ● | 2-4 | 316L S.S.          | 16   | 3,000 | 19-51 | 1" F | 3" | 212°F |
| <b>f</b> BIXB061AAH | ● ○ ● | 2-4 | 316L S.S.          | 15.8 | 2,900 | 24    | 1" F | 3" | 212°F |

### BIXC020

|                |   |   |           |     |       |   |        |       |      |
|----------------|---|---|-----------|-----|-------|---|--------|-------|------|
| <b>g</b> XC020 | ○ | 2 | 316L S.S. | 4-6 | 1,740 | - | 1/2" F | 1.65" | 60°F |
|----------------|---|---|-----------|-----|-------|---|--------|-------|------|

### BIXC060

Washing head for medium to large containers with minimum 57mm diameter pass-through hole. E=Electric Motor - P=Air Motor - A=Aqua Motor.

|                      |         |     |           |    |       |       |      |    |       |
|----------------------|---------|-----|-----------|----|-------|-------|------|----|-------|
| <b>h</b> BIXC060E200 | ● ○ ● ○ | 2-4 | 316L S.S. | 16 | 5,800 | 19-51 | 1" F | 3" | 212°F |
| <b>i</b> BIXC060E400 | ● ○ ● ○ | 2-4 | 316L S.S. | 16 | 5,800 | 19-51 | 1" F | 3" | 212°F |
| <b>j</b> BIXC060P200 | ● ○ ● ○ | 2-4 | 316L S.S. | 16 | 5,800 | 19-51 | 1" F | 3" | 212°F |
| <b>k</b> BIXC060P400 | ● ○ ● ○ | 2-4 | 316L S.S. | 16 | 5,800 | 19-51 | 1" F | 3" | 212°F |

### BIXC061

|                           |       |     |           |    |       |       |      |       |       |
|---------------------------|-------|-----|-----------|----|-------|-------|------|-------|-------|
| <b>l</b> BIXC061-AAH      | ● ○ ● | 2-4 | 316L S.S. | 16 | 3,000 | 15-25 | 1" F | 3.00" | 194°F |
| <b>m</b> BIXC061E         | ● ○ ● | 2-4 | 316L S.S. | 16 | 3,000 | 14-17 | 1" F | 3.00" | 194°F |
| <b>n</b> BIXC061EEB-TK-SF | ● ○ ● | 2-4 | 316L S.S. | 16 | 3,000 | 14-17 | 1" F | 3.00" | 194°F |
| <b>o</b> BIXC061EEB-SF    | ● ○ ● | 2-4 | 316L S.S. | 16 | 3,000 | 14-17 | 1" F | 3.00" | 194°F |

### BIXC200E

|                 |   |     |          |    |       |       |        |    |       |
|-----------------|---|-----|----------|----|-------|-------|--------|----|-------|
| <b>p</b> XC200E | ○ | 2-4 | S.S. 316 | 52 | 2,900 | 14-20 | 1/2" F | 7" | 194°F |
|-----------------|---|-----|----------|----|-------|-------|--------|----|-------|



● car wash



○ trash bin/can cleaning



● food industry



○ wine barrel



● ibc/drum totes



○ pharmaceutical/cip

**\*Please call for kits and pricing.**



## HIGH PRESSURE CLEANING





a



c



d-e

| MOD  | # OF NOZZLES   | MATERIAL |  MAX |  MAX | WATER INLET | MIN. PASS THRU HOLE | MAX TEMP |      |
|--|--|----------|---|--|-------------|---------------------|----------|------|
|  |  |          | gpm   | psi  | in          | in                  | ° F      |      |
| <b>BIMW440A</b>  |  |          |   |  |             |                     |          |      |
| a BIMW440A   | <input type="radio"/> <input checked="" type="radio"/> <input checked="" type="radio"/> <input type="radio"/> <input type="radio"/> <input checked="" type="radio"/> | 2-4      | 316L S.S.   | 15-105   | 5,800       | 1/2" F              | 5.5"     | 194° |
| <b>BIMW510A</b>  |  |          |   |  |             |                     |          |      |
| b BIMW510A   | <input type="radio"/> <input checked="" type="radio"/> <input checked="" type="radio"/> <input type="radio"/> <input type="radio"/> <input checked="" type="radio"/> | 2-4      | 316L S.S.   | 15-105   | 5,800       | 1/2" F              | 5.5"     | 194° |
| <b>BIMW586A</b>  |  |          |   |  |             |                     |          |      |
| c BIMW586A   | <input type="radio"/> <input checked="" type="radio"/> <input checked="" type="radio"/> <input type="radio"/> <input type="radio"/> <input checked="" type="radio"/> | 2-4      | 316L S.S.   | 15-105   | 5,800       | 1/2" F              | 5.5"     | 194° |
| <b>BIFV020 / F025</b>  |  |          |   |  |             |                     |          |      |
| Self spinning head for washing medium to large containers (tank trucks, urban refuse containers, silos). Aqua Motor, Aluminum and stainless steel construction 360° coverage 2 or 4 nozzles. 2' - 12' 360° Travel. |  |          |   |  |             |                     |          |      |
| d BIFV020-200  | <input type="radio"/> <input checked="" type="radio"/> <input checked="" type="radio"/> <input type="radio"/> <input type="radio"/> <input checked="" type="radio"/> | 2-4      | Aluminum/316L S.S.  | 53   | 2,900       | 1/2" F              | 6.69" F  | 194° |
| e BIFV020-400  | <input type="radio"/> <input checked="" type="radio"/> <input checked="" type="radio"/> <input type="radio"/> <input type="radio"/> <input checked="" type="radio"/> | 2-4      | Aluminum/316L S.S.  | 16   | 5,800       | 1/2" F              | 6.69" F  | 194° |



car wash



trash bin/can cleaning



food industry



wine barrel



ibc/drum totes



pharmaceutical/cip

**\*Please call for kits and pricing.**



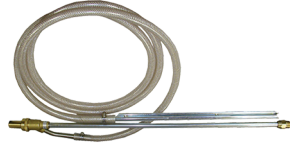


# ACCESSORIES

## SANDBLASTER KITS



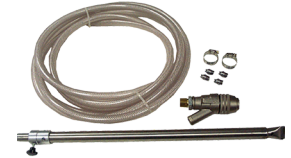
a





b



c




d

| MOD  | AVAILABLE SIZES<br>(SPECIFY WHEN ORDERING) |         | <br>MAX<br>psi | <br>MAX<br>gpm | LIST PRICE |
|--|--|---------|--|---|------------|
|  | nozzle size                                | orifice |  |   |            |
| <b>Sandblasting Nozzle Carbide Tip &amp; Sand Tube</b>   |  |         |  |   |            |
| Easy and quick to use. Used with either hot or cold water pressure washers with pressures from 3,000 to 4,000 PSI and temperatures up to 180° F. |  |         |  |   |            |
| a AL420  | 3.0  | 1.2 mm  | 3,650  | 16  | \$207.22   |
|  | 3.5  | 1.3 mm  |  |   |            |
|  | 4.0  | 1.4 mm  |  |   |            |
|  | 4.5 / 5.0                                  | 1.5 mm  |  |   |            |
|  | 6.0  | 1.6 mm  |  |   |            |
| <b>Sandblasting Nozzle Carbide Tip, Sand Tube &amp; Hose</b>   |  |         |  |   |            |
| 10' Sand Hose. 24" Extension Lance with 22mm x 1.4 M Inlet   |  |         |  |   |            |
| b AL420-KIT  | 4.5 / 5.0                                  | 1.5 mm  | 3,650  | 16  | \$206.16   |
| <b>Industrial Sandblasting Kit: Sand Tube &amp; Fan Spray</b>  |  |         |  |   |            |
| 1/4" F Outlet for 5°-10° MEG Nozzle (4 MEG Nozzles). 94° Max Temperature.  |  |         |  |   |            |
| c AL-TPS450  | -  | -       | 7,250  | 21  | \$728.40   |
| <b>Industrial Sandblasting Kit: Nozzle Carbide Tip, Fan Spray &amp; Hose</b>   |  |         |  |   |            |
| 1/4" F Outlet for 5°-10° MEG Nozzle (4 MEG Nozzles). 5° Angle - sizes 0.03, 0.04, 0.05, and 0.06<br>25' Sand Hose adjustable sand intake.        |  |         |  |   |            |
| d AL-TPS450KIT   | -  | -       | 7,250  | 21  | \$1,166.36 |



## SEWER CLEANING - NOZZLES

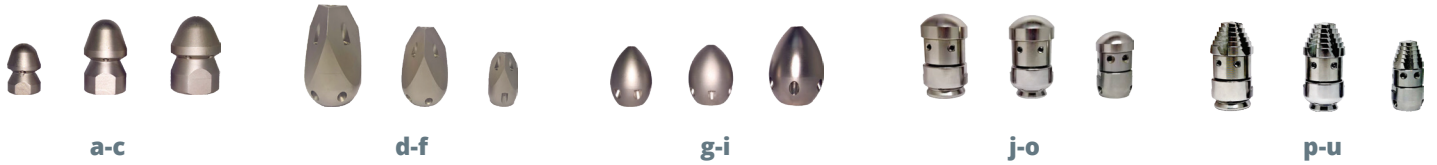


| MOD                         |  MAX<br>psi | INLET<br>in | NOZZLE<br>SIZE<br>in | MAX TEMP<br>° F | LIST<br>PRICE<br>\$ |
|-----------------------------|--|-------------|----------------------|-----------------|---------------------|
| <b>MLRSN</b>                |  |             |                      |                 |                     |
| <b>a</b> MLRSN1804          | 3,625  | 1/8" F      | 4                    | 300° F          | \$70.71             |
| <b>b</b> MLRSN18045         | 3,625  | 1/8" F      | 4.5                  | 300° F          | \$70.71             |
| <b>c</b> MLRSN1805          | 3,625  | 1/8" F      | 5                    | 300° F          | \$70.71             |
| <b>d</b> MLRSN1806          | 3,625  | 1/8" F      | 6                    | 300° F          | \$117.55            |
| <b>e</b> MLRSN1404          | 3,625  | 1/4" F      | 4                    | 300° F          | \$70.71             |
| <b>f</b> MLRSN1405          | 3,625  | 1/4" F      | 5                    | 300° F          | \$70.71             |
| <b>g</b> MLRSN38045         | 3,625  | 3/8" F      | 4.5                  | 300° F          | \$88.45             |
| <b>h</b> MLRSN3805          | 3,625  | 3/8" F      | 5                    | 300° F          | \$88.45             |
| <b>i</b> MLRSN3808          | 3,625  | 3/8" F      | 8                    | 300° F          | \$88.45             |
| <b>MLSSN</b>                |  |             |                      |                 |                     |
| <b>j</b> MLSSSN1804         | 3,625  | 1/8" F      | 4                    | 300° F          | \$21.25             |
| <b>k</b> MLSSSN18045        | 3,625  | 1/8" F      | 4.5                  | 300° F          | \$21.25             |
| <b>l</b> MLSSSN18055        | 3,625  | 1/8" F      | 5.5                  | 300° F          | \$21.25             |
| <b>m</b> MLSSSN18065        | 3,625  | 1/8" F      | 6.5                  | 300° F          | \$21.25             |
| <b>n</b> MLSSSN1404         | 3,625  | 1/4" F      | 4                    | 300° F          | \$27.50             |
| <b>o</b> MLSSSN14045        | 3,625  | 1/4" F      | 4.5                  | 300° F          | \$27.50             |
| <b>p</b> MLSSSN14055        | 3,625  | 1/4" F      | 5.5                  | 300° F          | \$27.50             |
| <b>q</b> MLSSSN14065        | 3,625  | 1/4" F      | 6.5                  | 300° F          | \$27.50             |
| <b>r</b> MLSSSN38045        | 3,625  | 3/8" F      | 4.5                  | 300° F          | \$50.40             |
| <b>s</b> MLSSSN38055        | 3,625  | 3/8" F      | 5.5                  | 300° F          | \$50.40             |
| <b>t</b> MLSSSN38065        | 3,625  | 3/8" F      | 6.5                  | 300° F          | \$50.40             |
| <b>AL-Series</b><br>4 Holes |  |             |                      |                 |                     |
| <b>u</b> AL0124722250       | 5,000  | 1/4" F      | 4.5                  | 300° F          | \$33.53             |
| <b>v</b> AL0124722260       | 5,000  | 1/4" F      | 5.5                  | 300° F          | \$33.53             |
| <b>w</b> AL0124722270       | 5,000  | 1/4" F      | 6.5                  | 300° F          | \$33.53             |
| <b>x</b> AL0124722280       | 5,000  | 3/8" F      | 4                    | 300° F          | \$72.59             |
| <b>y</b> AL0124722300       | 5,000  | 3/8" F      | 5.5                  | 300° F          | \$72.59             |
| <b>z</b> AL0124722310       | 5,000  | 3/8" F      | 6.5                  | 300° F          | \$72.59             |
| <b>a2</b> AL0124722330      | 5,000  | 3/8" F      | 8.5                  | 300° F          | \$119.45            |
| <b>b2</b> AL0124722360      | 5,000  | 3/8" F      | 12                   | 300° F          | \$119.45            |



# ACCESSORIES

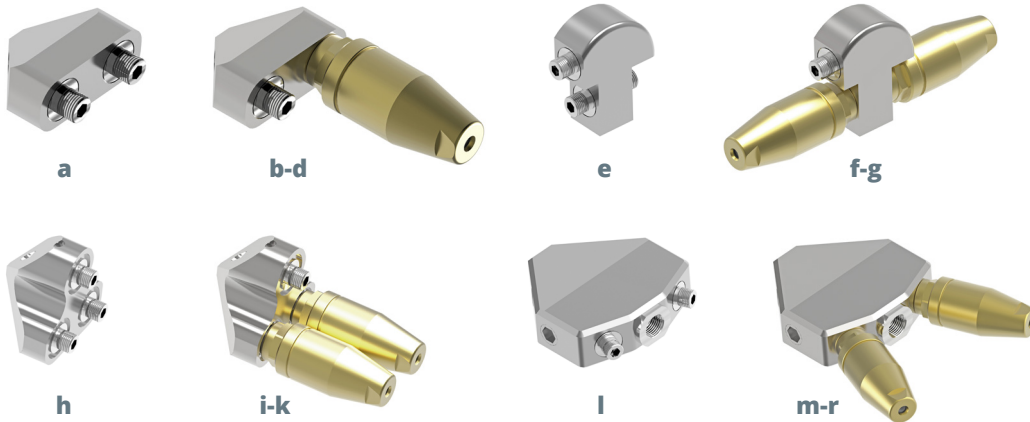
## SEWER CLEANING - NOZZLES




| MOD  |  psi | INLET<br>in | FRONT<br>NOZZLES | REAR<br>NOZZLES | NOZZLE<br>SIZE<br>in | MAX TEMP<br>° F | LIST<br>PRICE<br>\$ |            |
|--|---|-------------|------------------|-----------------|----------------------|-----------------|---------------------|------------|
| <b>SN</b><br>6 Holes. Jet angles 35°. Hardened Steel Nickel-Plated.  |   |             |                  |                 |                      |                 |                     |            |
| a  | ML4052600003  | 3,600       | 1/2" F           | 1 - M 6 x 8     | 6 - M 6x8            | 20              | 300° F              | \$213.90   |
| b  | ML4052600004  | 3,600       | 3/4" F           | 1 - M 6 x 8     | 6 - M 6x8            | 20              | 300° F              | \$200.66   |
| c  | ML4052600005  | 3,600       | 1" F             | 1 - M 6 x 8     | 6 - M 6x8            | 30              | 300° F              | \$239.38   |
| <b>SNT</b><br>6 Holes. Jet angles 35°. Hardened Steel Nickel-Plated.   |   |             |                  |                 |                      |                 |                     |            |
| d  | ML4052600009  | 3,600       | 1/2" F           | 4 - M6x8        | 3 - M6x8             | 20              | 300° F              | \$346.37   |
| e  | ML4052600010  | 3,600       | 3/4" F           | 4 - M6x8        | 6 - M6x8             | 30              | 300° F              | \$370.51   |
| f  | ML4052600011  | 3,600       | 1" F             | 4 - M8x10       | 6 - M8x10            | 30              | 300° F              | \$547.21   |
| <b>SNO</b><br>6 Holes. Jet angles 35°. Hardened Steel Nickel-Plated.   |   |             |                  |                 |                      |                 |                     |            |
| g  | ML4052600015  | 3,600       | 1/2" F           | 1 - M 6 x 8     | 6 - M 6x8            | 20              | 300° F              | \$302.22   |
| h  | ML4052600016  | 3,600       | 1/2" F           | 1 - M 6 x 8     | 6 - M 6x8            | 30              | 300° F              | \$284.94   |
| i  | ML4052600017  | 3,600       | 3/4" F           | 1 - M 6 x 8     | 6 - M 6x8            | 30              | 300° F              | \$330.62   |
| <b>SNCH - Rotating Nozzle</b><br>3-6 Holes. Jet angles 35°. Central opposing angle 90°. Hardened SS AISI A420. |   |             |                  |                 |                      |                 |                     |            |
| j  | ML4052800000  | 3,600       | 1/2" F           | 4 - M 6x6       | 3 - M6x6             | 20              | 300° F              | \$671.86   |
| k  | ML4052800001  | 3,600       | 1/2" F           | 4 - M 6x6       | 3 - M6x6             | 30              | 300° F              | \$671.86   |
| l  | ML4052800002  | 3,600       | 3/4" F           | 4 - M 6x6       | 3 - M6x6             | 30              | 300° F              | \$884.44   |
| m  | ML4052800003  | 3,600       | 3/4" F           | 4 - M 6x6       | 6 - M6x6             | 40              | 300° F              | \$775.14   |
| n  | ML4052800004  | 3,600       | 1" F             | 4 - M 6x6       | 6 - M6x6             | 50              | 300° F              | \$809.36   |
| o  | ML4052800005  | 3,600       | 1" F             | 4 - M 6x6       | 6 - M6x6             | 70              | 300° F              | \$809.36   |
| <b>SNDH - Rotating Nozzle</b><br>3-6 Holes. Jet angles 35°. Central opposing angle 90°. Hardened SS AISI A420. |   |             |                  |                 |                      |                 |                     |            |
| p  | ML4052800009  | 3,600       | 1/2" F           | 4 - M 6x6       | 3 - M6x6             | 20              | 300° F              | \$772.79   |
| q  | ML4052800010  | 3,600       | 1/2" F           | 4 - M 6x6       | 3 - M6x6             | 30              | 300° F              | \$770.91   |
| r  | ML4052800011  | 3,600       | 3/4" F           | 4 - M 6x6       | 6 - M6x6             | 30              | 300° F              | \$1,547.20 |
| s  | ML4052800012  | 3,600       | 3/4" F           | 4 - M 6x6       | 6 - M6x6             | 40              | 300° F              | \$1,390.68 |
| t  | ML4052800013  | 3,600       | 1" F             | 4 - M 6x6       | 6 - M6x6             | 50              | 300° F              | \$1,481.92 |
| u  | ML4052800014  | 3,600       | 1" F             | 4 - M 6x6       | 6 - M6x6             | 70              | 300° F              | \$1,622.07 |



## SEWER CLEANING - NOZZLES



| MOD | <br>MAX<br>psi | INLET<br>in | NOZZLE<br>SIZE | # OF FRONT<br>NOZZLES | # OF ROTATING<br>NOZZLES | WORKING<br>DIAMETER<br>in | WEIGHT<br>lbs | MAX TEMP<br>° F | LIST<br>PRICE<br>\$ |
|-----|---|-------------|----------------|-----------------------|--------------------------|---------------------------|---------------|-----------------|---------------------|
|-----|---|-------------|----------------|-----------------------|--------------------------|---------------------------|---------------|-----------------|---------------------|

### SNA

High quality nickel-plated steel. Supplied with stainless steel nipples and ceramic tip rotating nozzles.

|          |               |      |                         |     |           |   |           |      |        |          |
|----------|---------------|------|-------------------------|-----|-----------|---|-----------|------|--------|----------|
| <b>a</b> | SNA1          | 4350 | 1/4" M                  | -   | -         | - | 3.14-5.9" | 0.7  | 320° F | \$350.52 |
| <b>b</b> | SNA1-TPR025   | 4350 | 1/4" M                  | 025 | 1 - M 6X8 | - | 3.14-5.9" | 1.26 | 320° F | \$408.93 |
| <b>c</b> | SNA1-TPR058   | 4350 | 1/4" M                  | 058 | 1 - M 6X8 | - | 3.14-5.9" | 1.26 | 320° F | \$408.93 |
| <b>d</b> | SNA1-TPR10    | 4350 | 1/4" M                  | 10  | 1 - M 6X8 | - | 3.14-5.9" | 1.26 | 320° F | \$408.93 |
| <b>e</b> | SNA2          | 4350 | 1/4" M                  | -   | -         | - | 3.14-5.9" | 0.93 | 320° F | \$446.30 |
| <b>f</b> | SNA2-TPR07    | 4350 | 1/4" M                  | 07  | -         | 2 | 3.14-5.9" | 1.26 | 320° F | \$565.47 |
| <b>g</b> | SNA2-TPR12    | 4350 | 1/4" M                  | 12  | -         | 2 | 3.14-5.9" | 1.26 | 320° F | \$567.79 |
| <b>h</b> | SNA3          | 4350 | 1/4" M                  | -   | -         | - | 3.14-9.8" | 1.33 | 320° F | \$527.34 |
| <b>i</b> | SNA3-TPR055   | 4350 | 1/4" M                  | 055 | 1 - M 6X8 | - | 3.14-9.8" | 2.5  | 320° F | \$647.27 |
| <b>j</b> | SNA3-TPR10    | 4350 | 1/4" M                  | 10  | 1 - M 6X8 | - | 3.14-9.8" | 2.5  | 320° F | \$647.27 |
| <b>k</b> | SNA3-TPR15    | 4350 | 1/4" M                  | 15  | 1 - M 6X8 | - | 3.14-9.8" | 2.5  | 320° F | \$647.27 |
| <b>l</b> | SNA4          | 4350 | 1/2" F (Nozzles 3/8" F) | -   | -         | - | 6.3-11.8" | 0.93 | 320° F | \$584.19 |
| <b>m</b> | SNA4-38TPR065 | 4350 | 3/8" F                  | 065 | -         | 2 | 6.3-11.8" | 4.06 | 320° F | \$703.36 |
| <b>n</b> | SNA4-38TPR12  | 4350 | 3/8" F                  | 12  | -         | 2 | 6.3-11.8" | 4.06 | 320° F | \$724.39 |
| <b>o</b> | SNA4-38TPR20  | 4350 | 3/8" F                  | 20  | -         | 2 | 6.3-11.8" | 4.06 | 320° F | \$722.02 |
| <b>p</b> | SNA4-12TPR065 | 4350 | 1/2" F                  | 065 | -         | 2 | 6.3-11.8" | 4.06 | 320° F | \$703.36 |
| <b>q</b> | SNA4-12TPR12  | 4350 | 1/2" F                  | 12  | -         | 2 | 6.3-11.8" | 4.06 | 320° F | \$703.36 |
| <b>r</b> | SNA4-12TPR20  | 4350 | 1/2" F                  | 20  | -         | 2 | 6.3-11.8" | 4.06 | 320° F | \$722.02 |



# ACCESSORIES

## SEWER CLEANING - NOZZLES & JETTER VALVES



a-g

| MOD | INLET | # OF REAR NOZZLES | # OF SIDE NOZZLES | NOZZLE SIZE | DIMENSION | WORKING DIAMETER |  MAX |  MAX | LIST PRICE |
|-----|-------|-------------------|-------------------|-------------|-----------|------------------|---|---|------------|
|     |       |                   |                   |             | ØxL mm    | mm               | gpm   | psi   | \$         |

### SNKH - Rotating Reaction Nozzles

Hardened polished stainless steel AISI A420.

|          |            |        |           |           |    |          |          |     |       |            |
|----------|------------|--------|-----------|-----------|----|----------|----------|-----|-------|------------|
| <b>a</b> | SNKH-15-9  | 1/2" F | 3 - M 6x6 | 6 - M 6x6 | 15 | 38 x 92  | 50-150*  | 320 | 4,350 | \$974.40   |
| <b>b</b> | SNKH-20-9  | 1/2" F | 3 - M 6x6 | 6 - M 6x6 | 20 | 38 x 92  | 50-150*  | 320 | 4,350 | \$974.40   |
| <b>c</b> | SNKH-30-9  | 1/2" F | 3 - M 6x6 | 6 - M 6x6 | 30 | 38 x 92  | 50-150*  | 320 | 4,350 | \$1,420.70 |
| <b>d</b> | SNKH-30-10 | 3/4" F | 6 - M 6x6 | 4 - M 6x6 | 30 | 52 x 127 | 100-200* | 320 | 4,350 | \$974.40   |
| <b>e</b> | SNKH-40-10 | 3/4" F | 6 - M 6x6 | 4 - M 6x6 | 40 | 52 x 127 | 100-200* | 320 | 4,350 | \$1,420.70 |
| <b>f</b> | SNKH-50-10 | 1" F   | 6 - M 6x6 | 4 - M 6x6 | 50 | 52 x 130 | 100-200* | 320 | 4,350 | \$1,444.09 |
| <b>g</b> | SNKH-70-10 | 1" F   | 6 - M 6x6 | 4 - M 6x6 | 70 | 52 x 130 | 100-200* | 320 | 4,350 | \$1,444.09 |

\*Centering guide accessory is required for working diameter over Ø100mm (3.93 in)



| MOD |  MAX | DESCRIPTION | LIST PRICE |
|-----|---|-------------|------------|
|     | psi   |             |            |

### Jetter Valves

Jetter valves are used to convert standard triplex plunger pumps into a sewer cleaning pump. The disabler pulse valve adjustable levers enabling the pump to be changed to either configuration, by turning the handle on the valve. When fully engaged the valve stops the center valve from operating. This causes the pump to pulsate generating the jetting action needed for pipe cleaning.

|          |         |      |                         |          |
|----------|---------|------|-------------------------|----------|
| <b>a</b> | AR47086 | 2500 | JR: Pump Disabler       | \$199.68 |
| <b>b</b> | AR40236 | 4000 | XW: Pump Disabler       | \$98.08  |
| <b>c</b> | AR40235 | 4000 | XT, XM: Pump Disabler   | \$86.06  |
| <b>d</b> | AR40161 | 4000 | RK, RR: Pump Disabler   | \$90.89  |
| <b>e</b> | AR41003 | 4000 | RC: Pump Disabler       | \$238.22 |
| <b>f</b> | AR43948 | 4000 | RTJ70N: Pump Disabler   | \$152.39 |
| <b>g</b> | AR43949 | 4000 | RTX, RTP: Pump Disabler | \$129.56 |






## SEWER CLEANING



a-e



| MOD                  | <br>MAX<br>psi | HOSE LENGTH | HOSE SIZE | INLET<br>in | OUTLET<br>in | LIST PRICE<br>\$ |
|----------------------|---|-------------|-----------|-------------|--------------|------------------|
| <b>Sewer Hoses</b>   |   |             |           |             |              |                  |
| <b>a</b> AR686200001 | 4,400   | 50'         | 1/4"      | 1/4" M      | 1/4" M       | \$142.59         |
| <b>b</b> AR686200002 | 4,400   | 100'        | 1/4"      | 1/4" M      | 1/4" M       | \$260.19         |
| <b>c</b> AR686200024 | 4,400   | 100'        | 3/8"      | 3/8" M      | 3/8" M       | \$526.68         |
| <b>d</b> AR686200025 | 4,400   | 200'        | 3/8"      | 3/8" M      | 3/8" M       | \$1,075.41       |
| <b>e</b> AR686200035 | 4,400   | 300'        | 3/8"      | 3/8" M      | 3/8" M       | \$1,377.63       |



a



b

| MOD                      | <br>MAX<br>psi | <br>MAX<br>gpm | INLET<br>in | OUTLET<br>in | MAX TEMP<br>° F | LIST PRICE<br>\$ |
|--------------------------|---|---|-------------|--------------|-----------------|------------------|
| <b>Sewer Foot Valves</b> |   |   |             |              |                 |                  |
| <b>a</b> AL0124722810    | 8   | 3,000   | 3/8" F      | 1/4" F       | 320° F          | \$299.70         |
| <b>b</b> AL0124722830    | 12  | 5,000   | 3/8" F      | 1/4" F       | 320° F          | \$746.45         |



# ACCESSORIES

## ECOLOGICAL STEAM WEED CONTROL & BROOMS





a



b



c


| MOD            | <br>MAX<br>psi | <br>MAX<br>gpm | INLET<br>in | OUTLET<br>mm | MAX TEMP<br>° F | LIST PRICE<br>\$ |
|----------------|---|---|-------------|--------------|-----------------|------------------|
| <b>Steamer</b> |   |   |             |              |                 |                  |
| a ML-STEAMER   | 435   | 10.6  | 1/4" F      | -            | 320° F          | \$1,252.36       |
| <b>Gun</b>     |   |   |             |              |                 |                  |
| b ML330-L35S   | 4,500   | 10.6  | M22 x 1.5 M | M22 x 1.5 F  | 320° F          | \$94.97          |
| <b>Lance</b>   |   |   |             |              |                 |                  |
| c ML35S        | 5,075   | 12  | M22 x 1.5 M | 1/4" M       | 320° F          | \$86.29          |



a



b-c

| MOD  | <br>MAX<br>psi | QC PLUG<br>in | NUMBER OF<br>NOZZLES | NOZZLE<br>ORIFICE SIZE<br>mm | NOZZLE<br>SPRAY ANGLE<br>° | SIZE<br>in | LIST PRICE<br>\$ |
|--|---|---------------|----------------------|------------------------------|----------------------------|------------|------------------|
| <b>Water Brooms</b>  |   |               |                      |                              |                            |            |                  |
| The Water Brooms are designed to hook up to the pressure washer spray gun lance with a standard quick disconnect. Small size, maneuverable, easily stored, will not rust. Use to clean and wash down your driveway, sidewalk, garage floor, deck or patio. |   |               |                      |                              |                            |            |                  |
| a AR-BROOM12   | 4,000   | 1/4"          | 3                    | 1.3                          | -                          | 12"        | \$115.83         |
| b AR-BROOM16   | 4,000   | 1/4"          | 4                    | 1.3                          | 65°                        | 16"        | \$135.45         |
| c 5811   | 4,000   | 1/4"          | 4                    | 1.3                          | 65°                        | 16"        | \$130.88         |



## SURFACE CLEANERS



| MOD | DESCRIPTION | <br>MAX<br>psi | <br>MAX<br>gpm | NOZZLES | WHEELS | MAX TEMP<br>° F | LIST PRICE<br>\$ |
|-----|-------------|---|---|---------|--------|-----------------|------------------|
|-----|-------------|---|---|---------|--------|-----------------|------------------|

### Rotary Cleaners

Easy and quick to use. Used with either hot or cold water pressure washers with pressures from 3,000 to 4,000 PSI and temperatures up to 180° F. Walk behind, Durable, Removes tree sap, dirt and other non permanent materials that you want to remove from hard surfaces. The rotary cleaner blasts away dirt, grease and grime in all sorts of tough cleaning areas... pools, decks, sidewalks, warehouse floors, restaurants, retail shipping centers, garages, etc.

|          |             |                            |       |   |           |    |        |            |
|----------|-------------|----------------------------|-------|---|-----------|----|--------|------------|
| <b>a</b> | MLSC15      | 15" - Red - 1/4" M Plug    | 3,000 | 3 | 3.5 - 15° | No | 140° F | \$134.37   |
| <b>b</b> | AR-ROTARY14 | 14" - Yellow - 1/4" M Plug | 4,000 | 8 | 2.5 - 15° | No | 180° F | \$234.77   |
| <b>c</b> | AR-ROTARY16 | 16" - Yellow Polypropylene | 4,000 | 8 | 2.5 - 15° | No | 180° F | \$1,241.58 |
| <b>d</b> | AR-ROTARY20 | 20" - Yellow Polypropylene | 4,000 | 8 | 2.0 - 25° | No | 180° F | \$1,497.42 |

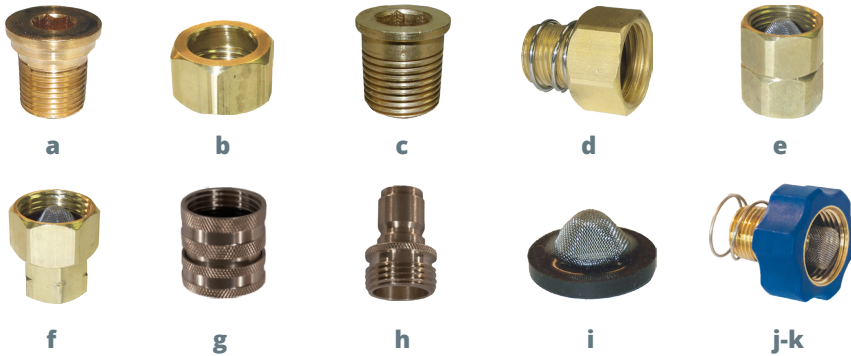
### Stainless Steel Rotary Cleaners

|          |               |                       |       |   |           |     |        |            |
|----------|---------------|-----------------------|-------|---|-----------|-----|--------|------------|
| <b>e</b> | AR-ROTARY20SS | 20" - Stainless Steel | 4,000 | 8 | 2.0 - 25° | Yes | 180° F | \$1,768.31 |
| <b>f</b> | AR-ROTARY24SS | 24" - Stainless Steel | 4,000 | 8 | 2.0 - 25° | Yes | 180° F | \$2,031.69 |



# ACCESSORIES

## GARDEN HOSE ADAPTERS



| MOD | DESCRIPTION | LIST PRICE |
|-----|-------------|------------|
|-----|-------------|------------|

\$

### Garden Hose Adapters

The Garden Hose Adapters offer a variety of ways to connect a pressure pump to a garden hose. Choose the fittings that will work best for your hookup.

|          |           |   |         |
|----------|-----------|---|---------|
| <b>a</b> | AR7365    | Nipple - 3/8" M   | \$7.48  |
| <b>b</b> | AR7366    | Nut - 3/4" F x M  | \$4.49  |
| <b>c</b> | AR7368    | Nipple - 1/2" M   | \$8.56  |
| <b>d</b> | AR7300    | Nut - 3/4" F x M / Nipple 1/2" M / Stainless Steel Tension Spring         | \$11.07 |
| <b>e</b> | AR2605B   | GHA (Garden Hose) Brass Swivel Cone Filter - 3/4" F Inlet - 3/4" F Outlet | \$18.88 |
| <b>f</b> | AR1264750 | GHA (Garden Hose) Brass Swivel Cone Filter - 3/4" F Inlet - 1/2" F Outlet | \$11.95 |
| <b>g</b> | 5329      | GHA (Garden Hose) 3/4" F Socket   | \$9.15  |
| <b>h</b> | 5330      | GHA (Garden Hose) 3/4" M Plug   | \$6.34  |
| <b>i</b> | AR7369    | Washer with Cone Filter   | \$1.17  |
| <b>j</b> | 5331      | 3/4" F Garden Hose Inlet with Tension Spring. Connector - 1/2" M Outlet   | \$9.30  |
| <b>k</b> | 5332      | 3/4" F Garden Hose Inlet with Tension Spring. Connector - 3/8" M Outlet   | \$9.30  |



a-f



g

| MOD | O-RING SIZE | MATERIAL | KIT QUANTITY | LIST PRICE |
|-----|-------------|----------|--------------|------------|
|-----|-------------|----------|--------------|------------|

\$

### Replacement O-Rings

|          |              |                                |       |    |        |
|----------|--------------|--------------------------------|-------|----|--------|
| <b>a</b> | AL-QC01/4    | 1/4"                           | Buna  | -  | \$0.41 |
| <b>b</b> | AL-QC03/8    | 3/8"                           | Buna  | -  | \$0.52 |
| <b>c</b> | AL-QCOKIT1/4 | 1/4"                           | Buna  | 25 | \$7.81 |
| <b>d</b> | AL-QCOKIT3/8 | 3/8"                           | Buna  | 25 | \$9.20 |
| <b>e</b> | AL-QC01/4V   | 1/4"                           | Viton | -  | \$0.93 |
| <b>f</b> | AL-QC03/8V   | 3/8"                           | Viton | -  | \$1.04 |
| <b>g</b> | FT250000     | O-Ring 22mm Hose Coupling 14mm |       |    | \$0.29 |



## BALL QUICK COUPLINGS & PLUGS



a, e, g, k



c, h, l




f



j

The Quick Couplers are designed for safe and easy connections of frequently changed or moved fittings.

- 420 Stainless Steel secured ball bearings
- 75 Shore Viton O-Rings.


| MOD                        | <br>psi | DESCRIPTION                              | MAX TEMP<br>° F | LIST PRICE<br>\$ |
|----------------------------|--|--|-----------------|------------------|
| <b>Ball Quick Coupling</b> |  |  |                 |                  |
| a                          | 4,000  | 1/4" F Ball Quick Coupling - Brass       | 300° F          | \$9.15           |
| b                          | 4,000  | 1/4" F Ball Quick Coupling - S.S.        | 300° F          | \$20.93          |
| c                          | 4,000  | 1/4" M Ball Quick Coupling - Brass       | 300° F          | \$10.18          |
| d                          | 4,000  | 1/4" M Ball Quick Coupling - S.S.        | 300° F          | \$26.65          |
| e                          | 4,000  | 1/4" F Ball Quick Coupling - Brass       | 300° F          | \$7.39           |
| f                          | 4,000  | 3/8" F Ball Quick Coupling x M22 - Brass | 300° F          | \$13.87          |
| g                          | 4,000  | 3/8" F Ball Quick Coupling - Brass       | 300° F          | \$12.10          |
| h                          | 4,000  | 3/8" M Ball Quick Coupling - Brass       | 300° F          | \$13.13          |
| i                          | 4,000  | 3/8" M Ball Quick Coupling - S.S.        | 300° F          | \$22.42          |
| j                          | 4,000  | 3/8" F Ball Quick Coupling - S.S.        | 300° F          | \$36.67          |
| k                          | 4,000  | 3/8" F Ball Quick Coupling - Brass       | 300° F          | \$10.77          |
| l                          | 4,000  | 3/8" M Ball Quick Coupling - Brass       | 300° F          | \$11.67          |



d, f, i, l



a, g, k

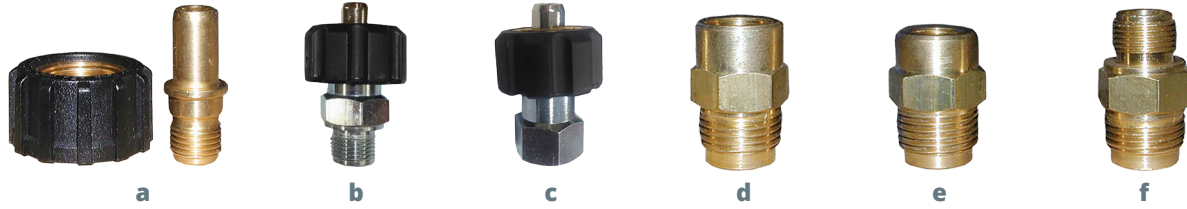
| MOD                        | <br>psi | DESCRIPTION                             | MAX TEMP<br>° F | LIST PRICE<br>\$ |
|----------------------------|--|---|-----------------|------------------|
| <b>Quick Coupling Plug</b> |  |   |                 |                  |
| a                          | 4,000  | 1/4" F Ball Quick Coupling Plug - Brass | 300° F          | \$2.96           |
| b                          | 4,000  | 1/4" F Ball Quick Coupling Plug - Brass | 300° F          | \$5.58           |
| c                          | 4,000  | 1/4" F Ball Quick Coupling Plug - S.S.  | 300° F          | \$9.69           |
| d                          | 4,000  | 1/4" M Ball Quick Coupling Plug - Brass | 300° F          | \$2.96           |
| e                          | 4,000  | 1/4" M Ball Quick Coupling Plug - S.S.  | 300° F          | \$8.55           |
| f                          | 4,000  | 1/4" M Ball Quick Coupling Plug - Steel | 300° F          | \$1.93           |
| g                          | 4,000  | 3/8" F Ball Quick Coupling Plug - Brass | 300° F          | \$3.69           |
| h                          | 4,000  | 3/8" F Ball Quick Coupling Plug - S.S.  | 300° F          | \$10.84          |
| i                          | 4,000  | 3/8" M Ball Quick Coupling Plug - Steel | 300° F          | \$3.69           |
| j                          | 4,000  | 3/8" M Ball Quick Coupling Plug - S.S.  | 300° F          | \$20.11          |
| k                          | 4,000  | 3/8" F Ball Quick Coupling Plug - Steel | 300° F          | \$2.51           |
| l                          | 4,000  | 3/8" M Ball Quick Coupling Plug - Steel | 300° F          | \$2.21           |





# ACCESSORIES

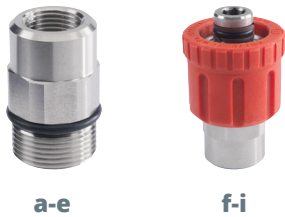
## QUICK COUPLINGS & PLUGS



| MOD | <br>MAX<br>psi | <br>MAX<br>gpm | INLET<br>in | OUTLET<br>in | MAX TEMP<br>° F | LIST PRICE<br>\$ |
|-----|---|---|-------------|--------------|-----------------|------------------|
|-----|---|---|-------------|--------------|-----------------|------------------|

### Quick Coupling Plug

|          |       |       |     |        |        |        |         |
|----------|-------|-------|-----|--------|--------|--------|---------|
| <b>a</b> | AL460 | 3,650 | 7.8 | 1/4" M | 1/2" F | 300° F | \$15.82 |
| <b>b</b> | AL461 | 3,650 | 7.8 | 3/8" M | 1/2" F | 300° F | \$19.84 |
| <b>c</b> | AL462 | 3,650 | 7.8 | 3/8" F | 1/2" F | 300° F | \$19.84 |
| <b>d</b> | AL463 | 3,650 | 7.8 | 1/4" F | 1/2" M | 300° F | \$10.74 |
| <b>e</b> | AL464 | 3,650 | 7.8 | 3/8" F | 1/2" M | 300° F | \$10.74 |
| <b>f</b> | AL465 | 3,650 | 7.8 | 3/8" M | 1/2" M | 300° F | \$10.74 |



| MOD | <br>MAX<br>psi | <br>MAX<br>gpm | INLET<br>in | OUTLET<br>mm | MAX TEMP<br>° F | LIST PRICE<br>\$ |
|-----|---|---|-------------|--------------|-----------------|------------------|
|-----|---|---|-------------|--------------|-----------------|------------------|



### High Pressure Quick Couplings

|          |             |        |    |        |            |        |         |
|----------|-------------|--------|----|--------|------------|--------|---------|
| <b>a</b> | ARF070-1/4F | 10,150 | 21 | 1/4" F | M24 - 15mm | 320° F | \$33.17 |
| <b>b</b> | ARF070-1/2F | 10,150 | 21 | 1/2" F | M24 - 15mm | 320° F | \$33.17 |
| <b>c</b> | ARF070-1/2M | 10,150 | 21 | 1/2" M | M24 - 15mm | 320° F | \$33.17 |
| <b>d</b> | ARF070-3/8F | 10,150 | 21 | 3/8" F | M24 - 15mm | 320° F | \$33.17 |
| <b>e</b> | ARF070-3/8M | 10,150 | 21 | 3/8" M | M24 - 15mm | 320° F | \$33.17 |
| <b>f</b> | ARF70-1/4M  | 10,150 | 21 | 1/4" M | M24 - 15mm | 320° F | \$89.82 |
| <b>g</b> | ARF70-1/2M  | 10,150 | 21 | 1/2" M | M24 - 15mm | 320° F | \$89.82 |
| <b>h</b> | ARF70-3/8F  | 10,150 | 21 | 3/8" F | M24 - 15mm | 320° F | \$89.82 |
| <b>i</b> | ARF70-3/8M  | 10,150 | 21 | 3/8" M | M24 - 15mm | 320° F | \$89.82 |



## QUICK COUPLINGS



| MOD                            |  MAX<br>psi |  MAX<br>gpm | INLET<br>in  | OUTLET<br>mm | MAX TEMP<br>° F | LIST PRICE<br>\$ |
|--------------------------------|--|--|--------------|--------------|-----------------|------------------|
| <b>AL450 - 5347</b>            |  |  |              |              |                 |                  |
| <b>a</b> AL450/2 (w/2 O-Rings) | 3,650  | 7.8  | 1/4" F       | M22 F - 14mm | 300° F          | \$14.65          |
| <b>b</b> 5347                  | 3,650  | 7.8  | 1/4" F       | M22 F - 14mm | 300° F          | \$7.66           |
| <b>AL451 - 5348</b>            |  |  |              |              |                 |                  |
| <b>c</b> AL451-B               | 3,650  | 7.8  | 1/4" F       | M22 F - 14mm | 300° F          | \$18.30          |
| <b>d</b> 5348                  | 3,650  | 7.8  | 1/4" F       | M22 F - 14mm | 300° F          | \$10.77          |
| <b>AL452 - 5346</b>            |  |  |              |              |                 |                  |
| <b>e</b> AL452-B               | 3,650  | 7.8  | 3/8" M       | M22 F - 14mm | 300° F          | \$27.01          |
| <b>f</b> AL453-B               | 3,650  | 7.8  | 3/8" F       | M22 F - 14mm | 300° F          | \$27.01          |
| <b>g</b> 5343                  | 3,650  | 7.8  | 1/4" M       | M22 F - 14mm | 300° F          | \$11.80          |
| <b>h</b> 5344                  | 3,650  | 7.8  | 1/4" F       | M22 F - 14mm | 300° F          | \$10.93          |
| <b>i</b> 5346                  | 3,650  | 7.8  | 3/8" F       | M22 F - 14mm | 300° F          | \$11.67          |
| <b>j</b> AL458-B-15            | 3,650  | 7.8  | M22 M - 14mm | M22 F - 15mm | 300° F          | \$13.70          |
| <b>AL556-B / AL557-B</b>       |  |  |              |              |                 |                  |
| <b>k</b> AL556-B               | 3,650  | 7.8  | M22 F - 14mm | M22 F - 14mm | 300° F          | \$18.50          |
| <b>l</b> AL557-B               | 4,000  | 7.8  | M22 F - 14mm | 3/8" QC      | 140° F          | \$10.80          |



# ACCESSORIES

## PLUGS & PULSATION DAMPENERS



**a**



**b**



**c**



**d**



**e**



**f**

| MOD | <br>MAX<br>psi | <br>MAX<br>gpm | INLET<br>in | OUTLET<br>mm | MAX TEMP<br>° F | LIST PRICE<br>\$ |
|-----|---|---|-------------|--------------|-----------------|------------------|
|-----|---|---|-------------|--------------|-----------------|------------------|

### Quick Coupling Plug Fixed

|          |                  |       |     |              |              |        |         |
|----------|------------------|-------|-----|--------------|--------------|--------|---------|
| <b>a</b> | AL454-B          | 3,650 | 7.8 | 1/4" F       | M22 M - 14mm | 300° F | \$11.37 |
| <b>b</b> | AL455-B (Flared) | 3,650 | 7.8 | 1/4" M       | M22 M - 14mm | 300° F | \$15.06 |
| <b>c</b> | AL456-B          | 3,650 | 7.8 | 3/8" F       | M22 M - 14mm | 300° F | \$15.06 |
| <b>d</b> | AL456-B-15       | 3,650 | 7.8 | 3/8" F       | M22 M - 15mm | 300° F | \$25.67 |
| <b>e</b> | AL457-B          | 3,650 | 7.8 | 3/8" M       | M22 M - 14mm | 300° F | \$11.37 |
| <b>f</b> | AL85300166       | 3,650 | 7.8 | M22 M - 14mm | M22 M - 14mm | 300° F | \$7.93  |



**a-b**

| MOD | <br>MAX<br>psi | GAS FILLING PRESSURE<br>psi | GAS CONNECTION VALVE | LITER | INLET<br>in | MIN/MAX TEMP<br>° F | LIST PRICE<br>\$ |
|-----|---|-----------------------------|----------------------|-------|-------------|---------------------|------------------|
|-----|---|-----------------------------|----------------------|-------|-------------|---------------------|------------------|

### Pulsation Dampener

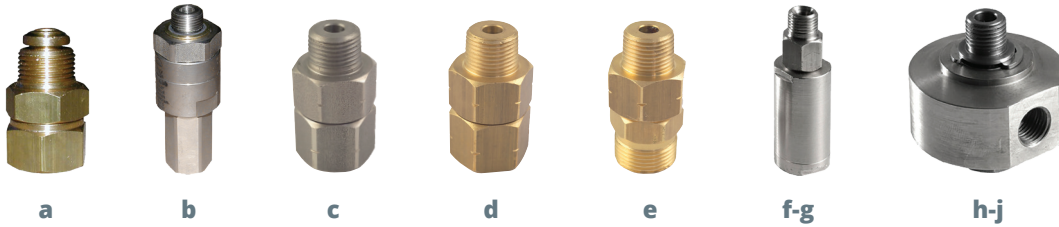
Designed to make pumps run smoother. Pulsation dampener welded with electron beam. Forged carbon steel body with anti-rust primer. NBR Diaphragm. Wide operating temperature range. Adjustable gas filling pressure. Rapid reaction time. Compact with easy installation. Any position mounting. No maintenance.



|          |        |       |     |         |      |            |             |          |
|----------|--------|-------|-----|---------|------|------------|-------------|----------|
| <b>a</b> | MLPD38 | 3,046 | 580 | M28x1.5 | 0.16 | 3/8" F NPT | 5° F/194° F | \$210.69 |
| <b>b</b> | MLPD12 | 3,046 | 580 | M28x1.5 | 0.35 | 1/2" F NPT | 5° F/194° F | \$222.73 |



## SWIVEL COUPLERS & PIVOT


The twist style, fixed style and swiveling style quick couplers are designed for safe and easy connections of frequently changed or moved fittings.



| MOD   |  MAX<br>psi |  MAX<br>gpm | INLET<br>in | OUTLET<br>in | MAX TEMP<br>° F | LIST PRICE<br>\$ |
|---|--|--|-------------|--------------|-----------------|------------------|
| <b>AL443</b>  |  |  |             |              |                 |                  |
| <b>a</b> AL443  | 3,000  | 7.8  | 3/8" M      | 3/8" F       | 300° F          | \$20.89          |
| <b>High Pressure Swivel SW600</b>                     |  |  |             |              |                 |                  |
| <b>b</b> AR40406                                      | 9,570  | 15.8   | 3/8" F      | 3/8" M       | 210° F          | \$785.89         |
| <b>SW - Swivel</b>                                    |  |  |             |              |                 |                  |
| <b>c</b> SW701 (Stainless Steel)                      | 4,500  | 8  | 3/8" M      | 3/8" F       | 302° F          | \$46.03          |
| <b>d</b> SW703 (Brass)                                | 4,500  | 8  | 3/8" M      | 3/8" F       | 302° F          | \$30.92          |
| <b>e</b> SW704 (Brass)                                | 4,500  | 8  | 3/8" M      | M22 M - 14mm | 302° F          | \$30.92          |
| <b>Stainless Steel Swivel Coupling</b><br>360° Swivel |  |  |             |              |                 |                  |
| <b>f</b> CW212200 (In-Line)                           | 4,060  | 12   | 1/4" F      | 1/4" M       | 320° F          | \$145.88         |
| <b>g</b> CW212210 (In-Line)                           | 4,060  | 12   | 3/8" F      | 3/8" M       | 320° F          | \$152.86         |
| <b>h</b> CW212250 (90°)                               | 4,060  | 12   | 1/4" M      | 1/4" F       | 320° F          | \$145.88         |
| <b>i</b> CW212260 (90°)                               | 4,060  | 12   | 3/8" M      | 3/8" F       | 320° F          | \$145.88         |
| <b>j</b> CW212270 (90°)                               | 4,060  | 12   | 1/4" M      | 3/8" F       | 320° F          | \$145.88         |



**a**

| MOD   |  MAX<br>psi | QUICK CONNECT<br>in | QUICK CONNECT PLUG<br>in | MAX TEMP<br>° F | LIST PRICE<br>\$ |
|---|--|---------------------|--------------------------|-----------------|------------------|
| <b>AL-QC1/4 Pivot</b><br>1/4" F Quick Coupler with 3 Position. EPDM - Elastomer. (Nozzle not included). |  |                     |                          |                 |                  |
| <b>a</b> AL-QC1/4PIVOT  | 4,500  | 1/4" F              | 1/4" M                   | 200° F          | \$53.42          |



# ACCESSORIES

## CONNECTORS & ADAPTERS



a, c



e



g



h

| MOD | INLET | OUTLET | MATERIAL | LIST PRICE |
|-----|-------|--------|----------|------------|
|     | in    | in     |          | \$         |

### Bushings

|   |            |        |        |       |         |
|---|------------|--------|--------|-------|---------|
| a | AR72753128 | 1/2" F | 3/4" M | Brass | \$10.45 |
| b | AR72753286 | 1/2" F | 3/8" M | Brass | \$15.93 |
| c | AR72753604 | 1/4" F | 3/8" M | Brass | \$6.26  |
| d | AR72753986 | 3/8" F | 1/2" M | Brass | \$5.50  |
| e | AR72753988 | 3/8" F | 1/2" M | Steel | \$6.14  |
| f | AR72753140 | 1/2" M | 1/4" F | Steel | \$7.15  |

### Garden Hose Adapter

|   |            |                 |        |       |         |
|---|------------|-----------------|--------|-------|---------|
| g | AR72753216 | Garden Hose - M | 3/8" F | Brass | \$19.67 |
|---|------------|-----------------|--------|-------|---------|

### Plug Adapter

4,000 Max PSI. 300° F Max Temperature. 8 Max GPM.

|   |           |            |        |       |         |
|---|-----------|------------|--------|-------|---------|
| h | AR1263640 | 22mmx1.5 F | 3/8" M | Brass | \$17.36 |
|---|-----------|------------|--------|-------|---------|



a-e

| MOD | INLET | OUTLET | MATERIAL | LIST PRICE |
|-----|-------|--------|----------|------------|
|     | in    | in     |          | \$         |

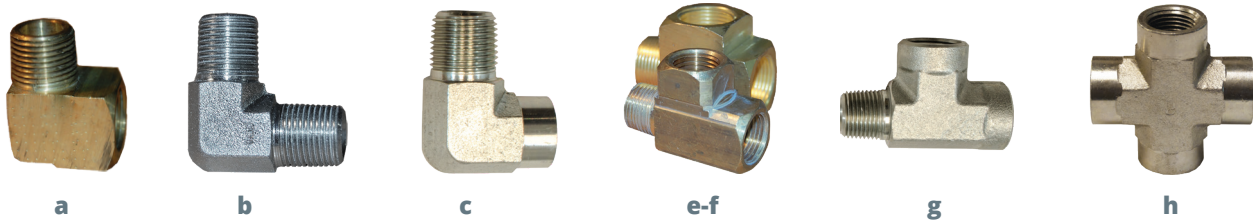
### Adapters - BSPP to NPT


|   |                 |               |              |                 |          |
|---|-----------------|---------------|--------------|-----------------|----------|
| a | AASS9035S-06-06 | 3/8" M BSPP   | 3/8" F NPT   | Stainless Steel | \$57.31  |
| b | AASS9035S-08-08 | 1/2" M BSPP   | 1/2" F NPT   | Stainless Steel | \$88.17  |
| c | AASS9035S-12-12 | 3/4" M BSPP   | 3/4" F NPT   | Stainless Steel | \$95.26  |
| d | AASS9035S-16-16 | 1" M BSPP     | 1" F NPT     | Stainless Steel | \$153.44 |
| e | AASS9035S-24-24 | 1-1/2" M BSPP | 1-1/2" F NPT | Stainless Steel | \$330.14 |





## CONNECTORS



| MOD               | <br>psi | INLET<br>in   | OUTLET<br>in    | MATERIAL        | LIST PRICE<br>\$ |
|-------------------|--|---------------|-----------------|-----------------|------------------|
| <b>Elbows</b>     |  |               |                 |                 |                  |
| a AR72753766      | 4,000  | 3/8" M        | 3/8" F          | Brass           | \$19.25          |
| b AR72753777      | 4,000  | 3/8" M        | 3/8" M          | Steel           | \$11.22          |
| c AR72753291      | 4,000  | 3/8" M NPT    | 1/4" F NPT      | Steel           | \$16.80          |
| d AR72753270      | 4,000  | 1/2" M NPT    | 1/2" F NPT      | Steel           | \$20.73          |
| <b>T's</b>        |  |               |                 |                 |                  |
| e AR72753512      | 4,000  | 3/4" F        | 3/4" F & 3/4" M | Brass           | \$70.94          |
| f AR72753888      | 4,000  | 1/2" F        | 1/2" F & 1/2" M | Brass           | \$48.75          |
| g AR72753520 (SS) | 4,000  | 3/8" F        | 3/8" F & 3/8" F | Stainless Steel | \$36.11          |
| <b>Cross</b>      |  |               |                 |                 |                  |
| h AR72753666      | 5,000  | 3/8" & 3/8" F | 3/8" F & 3/8" F | Forged Steel    | \$25.31          |

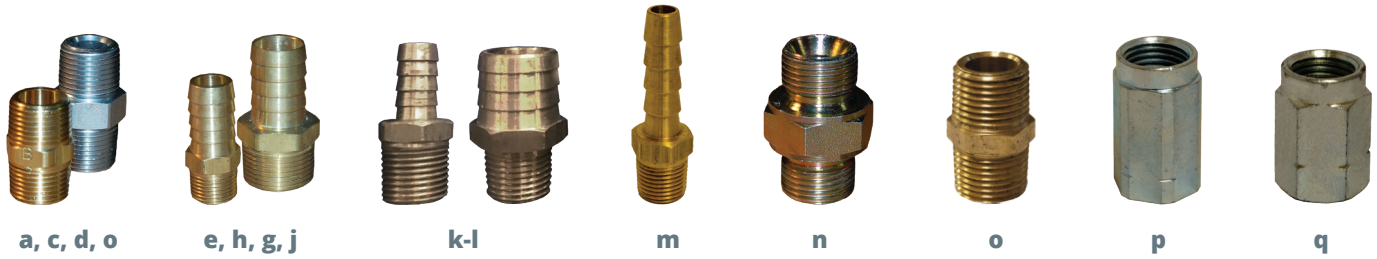



| MOD  | DESCRIPTION                                     | LIST PRICE |
|--|---|------------|
| <b>Inlet King Nipples (for gravity feed systems)</b>   |   |            |
| Cadmium plated steel hose barb fitting for high pressure endurance. Hex base allows for standard wrenches to be used during installation. The hex base is large enough to allow accessory ports to be added. Compact design tapered bore for smooth water delivery. Barbs are long enough to allow two clamps to be used if necessary. King nipples assemble directly to the pump no adapters needed. Barbs are designed to prevent hose slippage and fluid leaks. |   |            |
| a FT783114   | 1/2" M NPT x 1-1/4" Hose Barb (Steel-Zinc coat) | \$29.40    |
| b FT783112   | 3/4" M NPT x 1-1/2" Hose Barb (Brass)           | \$31.87    |
| c FT783113   | 1" M BSP x 2" Hose Barb (Brass)                 | \$53.66    |



# ACCESSORIES

## CONNECTORS - NIPPLES

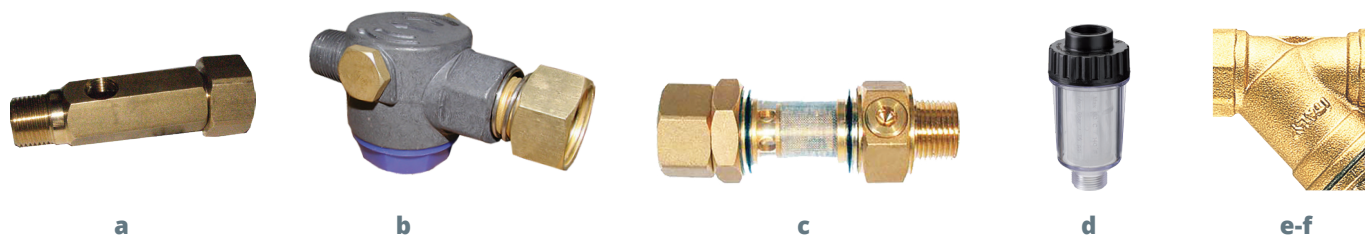




| MOD                 | <br>psi | INLET<br>in | OUTLET<br>in | MATERIAL | LIST PRICE<br>\$ |
|---------------------|--|-------------|--------------|----------|------------------|
| <b>Nipples</b>      |  |             |              |          |                  |
| <b>a</b> AR72753333 | 3,000  | 3/8" M BSP  | 3/8" M BSP   | Brass    | \$16.75          |
| <b>b</b> AR72753334 | 6,000  | 3/8" M NPT  | 3/8" M NPT   | Steel    | \$4.83           |
| <b>c</b> AR72753336 | 6,000  | 1/2" M NPT  | 1/2" M NPT   | Steel    | \$5.57           |
| <b>d</b> AR72753570 | 6,000  | 1/2" M NPT  | 3/8" M NPT   | Steel    | \$12.39          |
| <b>Nipples</b>      |  |             |              |          |                  |
| <b>e</b> AR72753106 | -  | 5/8" Barb   | 3/8" M NPT   | Brass    | \$6.72           |
| <b>f</b> AR72753108 | -  | 5/8" Barb   | 1/2" M NPT   | Brass    | \$8.36           |
| <b>g</b> AR72753208 | -  | 3/4" Barb   | 1/2" M NPT   | Brass    | \$10.04          |
| <b>h</b> AR72753212 | -  | 3/4" Barb   | 3/4" M NPT   | Brass    | \$15.66          |
| <b>i</b> AR72753786 | -  | 1/2" Barb   | 3/8" M NPT   | Brass    | \$5.92           |
| <b>j</b> AR72753784 | -  | 1/2" Barb   | 1/4" M NPT   | Brass    | \$11.80          |
| <b>k</b> AR72753790 | -  | 1/2" Barb   | 1/2" M NPT   | Brass    | \$16.16          |
| <b>l</b> AR72753110 | -  | 1" Barb     | 1/2" M NPT   | Brass    | \$23.37          |
| <b>m</b> AR1020402  | -  | 1/4" Barb   | 1/8" M NPT   | Brass    | \$5.63           |
| <b>Nipples</b>      |  |             |              |          |                  |
| <b>n</b> AR72753966 | 4,000  | 3/8" F BSP  | 3/8" F BSP   | Brass    | \$17.58          |
| <b>Hex Nipples</b>  |  |             |              |          |                  |
| <b>o</b> AR72753808 | -  | 1/2" M      | 1/2" M       | Brass    | \$8.84           |
| <b>Wand Nipples</b> |  |             |              |          |                  |
| <b>p</b> AL1414     | 4,500  | 1/4" F      | 1/4" F       | Steel    | \$8.57           |
| <b>q</b> AL1814     | 4,500  | 1/8" F      | 1/4" F       | Steel    | \$8.46           |



## INLET STRAINERS/FILTERS

The Inlet Strainers were designed to remove debris and sediment from the water supply entering the pump. It will prolong the life of a high pressure pump to use a line strainer for any water supply.



| MOD   |  MAX<br>psi |  MAX<br>gpm | INLET<br>in      | OUTLET<br>in | MATERIAL   | MAX TEMP<br>° F | LIST PRICE<br>\$ |
|---|--|--|------------------|--------------|------------|-----------------|------------------|
| <b>AR3000-2</b><br>0.80 Mesh Cone Filter. 1/4" Side Port.   |  |  |                  |              |            |                 |                  |
| <b>a</b> AR3000-2   | 250  | 7  | GH (Garden Hose) | 1/2" M       | Brass      | -               | \$32.91          |
| <b>AR3000-A2G</b><br>0.60 Mesh Cone Filter. 1/4" (2) Side Port. Stainless Steel GHT Tension Spring / Garden Hose Adapter. Pressure feed only. |  |  |                  |              |            |                 |                  |
| <b>b</b> AR3000-A2G   | 100  | 5  | 1/2" F           | 1/2" M       | Aluminum   | -               | \$41.31          |
| <b>AR3600</b><br>Clear Bowl allows for easy viewing of filter.  |  |  |                  |              |            |                 |                  |
| <b>c</b> AR3600   | 150  | 8  | 3/4" F GHT       | 1/2" M NPT   | Clear Bowl | -               | \$47.80          |
| <b>MV19</b><br>290 Mesh Cone Filter.  |  |  |                  |              |            |                 |                  |
| <b>d</b> MV19   | 116  | 8  | 3/4" F           | 3/4" M       | Plastic    | -               | \$30.46          |
| <b>Y Filters</b><br>45 Mesh Cone Filter.  |  |  |                  |              |            |                 |                  |
| <b>e</b> MVYF1/2  | 225  | 8  | 1/2" F           | 1/2" F       | Brass      | 210° F          | \$21.84          |
| <b>f</b> MVYF3/4  | 225  | 8  | 3/4" F           | 3/4" F       | Brass      | 210° F          | \$34.59          |



# ACCESSORIES

## CONTROLLERS & THERMOSTATS



a



b

| MOD | CABLE |  MAX<br>psi | FITTING SIZE | ADJUSTABLE STROKE | MAX TEMP | LIST PRICE |
|-----|-------|--|--------------|-------------------|----------|------------|
|     | in    |  | in           | in                | ° F      | \$         |

### Engine Throttle Controller

|   |                            |     |       |      |               |        |          |
|---|----------------------------|-----|-------|------|---------------|--------|----------|
| a | MLETC                      | 40" | 5,200 | 3/8" | 0.28" - 0.55" | 320° F | \$83.92  |
| b | MLETC-SS (Stainless Steel) | 40" | 7,250 | 3/8" | 0.28" - 0.55" | 320° F | \$184.13 |



a-b

| MOD |  MAX<br>psi | TEMP RANGE | PROBE LENGTH | CAPILLARY LENGTH | TUBE FITTING |  amp | v | LIST PRICE |
|-----|--|------------|--------------|------------------|--------------|---|---|------------|
|     |  | ° F        | in           | in               | in           |   |   | \$         |

### Thermostat

Rated UL & CE - Capillary and Bulb are Copper. Double Walled Capillary.

|   |          |       |               |       |     |            |    |     |         |
|---|----------|-------|---------------|-------|-----|------------|----|-----|---------|
| a | GTLU3040 | 4,000 | Off to 250° F | 3.86" | 70" | 1/2" M NPT | 20 | 250 | \$59.25 |
| b | GTLU3044 | 4,000 | Off to 190° F | 3.86" | 70" | 1/2" M NPT | 20 | 250 | \$59.23 |



## PRESSURE GAUGES & DAMPENER



a-i




j-k




l

A.R. Pressure Gauges enable the user to see what pressure levels their system is developing. Accurate gauges can warn of internal pump damage, cavitation, pressure spikes, and other problems. Glycerin filled.

| MOD   | <br>MAX | GRADUATION |       | CASE DIAMETER | CASE MATERIAL | CONNECTION SIZE | LIST PRICE |         |
|---|--|------------|-------|---------------|---------------|-----------------|------------|---------|
|   |  | psi        | major | minor         | in            |                 | in         | \$      |
| <b>Bottom Mount Pressure Gauges</b>   |  |            |       |               |               |                 |            |         |
| a   | ARO-300  | 0 - 300    | 50    | 5             | 2-1/2"        | 304 SS          | 1/4"       | \$34.35 |
| b   | ARO-600  | 0 - 600    | 100   | 10            | 2-1/2"        | 304 SS          | 1/4"       | \$39.80 |
| c   | ARO-1000   | 0 - 1,000  | 200   | 20            | 2-1/2"        | 304 SS          | 1/4"       | \$36.91 |
| d   | ARO-1500   | 0 - 1,500  | 200   | 20            | 2-1/2"        | 304 SS          | 1/4"       | \$39.80 |
| e   | ARO-2000   | 0 - 2,000  | 500   | 50            | 2-1/2"        | 304 SS          | 1/4"       | \$39.80 |
| f   | ARO-3000   | 0 - 3,000  | 500   | 50            | 2-1/2"        | 304 SS          | 1/4"       | \$39.80 |
| g   | ARO-5000   | 0 - 5,000  | 1,000 | 100           | 2-1/2"        | 304 SS          | 1/4"       | \$39.80 |
| h   | ARO-6000   | 0 - 6,000  | 1,000 | 100           | 2-1/2"        | 304 SS          | 1/4"       | \$39.80 |
| i   | ARO-10000  | 0 - 10,000 | 1,000 | 100           | 2-1/2"        | 304 SS          | 1/4"       | \$39.80 |
| <b>Rear Mount Pressure Gauges</b>   |  |            |       |               |               |                 |            |         |
| j   | AR3223B  | 2,000      | 500   | 50            | 1-1/2"        | 304 SS          | 1/8"       | \$47.58 |
| k   | AR3223C  | 3,000      | 500   | 50            | 1-1/2"        | 304 SS          | 1/8"       | \$52.95 |
| <b>Quick Connect &amp; Plug Mount Kit</b><br>1/4" Plug inlet. Quick Connect outlet. |  |            |       |               |               |                 |            |         |
| l   | AR376000   | 0-6,000    | 1,000 | 100           | 2-1/2"        | 304 SS          | 3/8" QC    | \$58.20 |



a

| MOD                            | <br>MAX | DESCRIPTION               | LIST PRICE |
|--------------------------------|--|---------------------------|------------|
|                                | psi  |                           | \$         |
| <b>Pressure Gauge Dampener</b> |  |                           |            |
| a                              | ARO-SNUB   | 3,000 1/4" Gauge Dampener | \$31.42    |





# ACCESSORIES

## SLUDGE PUMPS & HOSES



a



b

| MOD | <br>MAX<br>psi | <br>MAX<br>gpm | AVAILABLE<br>NOZZLE SIZES | HOSE SIZE<br>in | HOSE LENGTH<br>ft | LIST<br>PRICE<br>\$ |
|-----|---|---|---------------------------|-----------------|-------------------|---------------------|
|-----|---|---|---------------------------|-----------------|-------------------|---------------------|

### Sludge Pump - No assembly required

1/4" Standard Coupler Connects.

|             |       |   |     |    |     |          |
|-------------|-------|---|-----|----|-----|----------|
| a AR-Sludge | 4,000 | 4 | 3.0 | 2" | 25' | \$225.16 |
|-------------|-------|---|-----|----|-----|----------|

### Sludge Pump

22mmx1.5 M Inlet. PVC Hose Ø38 mm.

|        |       |     |                         |      |     |          |
|--------|-------|-----|-------------------------|------|-----|----------|
| b MLSP | 3,650 | 4.8 | 3.5, 4.5, 5.0, 5.5, 6.0 | 1.5" | 10' | \$338.24 |
|--------|-------|-----|-------------------------|------|-----|----------|



a



b-h

| MOD | <br>MAX<br>psi | HOSE LENGTH<br>ft | INLET<br>in | OUTLET<br>in | INNER<br>DIAMETER<br>in | MAX TEMP<br>° F | LIST<br>PRICE<br>\$ |
|-----|---|-------------------|-------------|--------------|-------------------------|-----------------|---------------------|
|-----|---|-------------------|-------------|--------------|-------------------------|-----------------|---------------------|

### High Pressure Hose

|             |        |     |        |        |      |      |            |
|-------------|--------|-----|--------|--------|------|------|------------|
| a AR5012100 | 10,000 | 50' | 1/2" M | 1/2" M | 3/8" | 250° | \$1,299.09 |
|-------------|--------|-----|--------|--------|------|------|------------|

### Braided Rubber Hose (Swivel on Both Ends)

Braided Rubber Hoses will handle the higher pressure ranges for commercial/industrial machines. Select the length and pressure needed for the job.

|                |       |     |        |        |      |      |          |
|----------------|-------|-----|--------|--------|------|------|----------|
| b AR253830SSP  | 3,000 | 25' | 3/8" M | 3/8" M | 3/8" | 250° | \$142.12 |
| c P2538-14-22m | 3,000 | 25' | 22mm   | 3/8" M | 3/8" | 250° | \$145.42 |
| d P3038-14-22m | 3,000 | 30' | 22mm   | 3/8" M | 3/8" | 250° | \$153.80 |
| e AR303840SSP  | 4,000 | 30' | 3/8" M | 3/8" M | 3/8" | 250° | \$156.77 |
| f AR403840SSP  | 4,000 | 40' | 3/8" M | 3/8" M | 3/8" | 250° | \$233.00 |
| g AR503840SSP  | 4,000 | 50' | 3/8" M | 3/8" M | 3/8" | 250° | \$166.19 |
| h AR753840SSP  | 4,000 | 75' | 3/8" M | 3/8" M | 3/8" | 250° | \$226.39 |



## HOSES



a-d



e-f

| MOD | <br>psi | HOSE LENGTH<br>ft | INLET<br>mm | OUTLET<br>in | INNER DIAMETER<br>in | MAX TEMP<br>° F | LIST PRICE<br>\$ |
|-----|--|-------------------|-------------|--------------|----------------------|-----------------|------------------|
|-----|--|-------------------|-------------|--------------|----------------------|-----------------|------------------|

### Oil Resistant Synthetic Rubber Hose

Oil Resistant Synthetic Rubber Hoses will meet the pressure ranges for consumer needs. Select the length and fittings needed for each situation.

|          |                 |       |     |            |        |      |        |         |
|----------|-----------------|-------|-----|------------|--------|------|--------|---------|
| <b>a</b> | AR251420-38     | 3,000 | 25' | 22mmx14    | 3/8" F | 1/4" | 140° F | \$62.50 |
| <b>b</b> | AR251420mm-mm-2 | 3,000 | 25' | 22mmx14/15 | 22mm   | 1/4" | 140° F | \$43.94 |
| <b>c</b> | AR251420-15mm   | 3,000 | 25' | 22mmx15    | 1/4" F | 1/4" | 140° F | \$56.38 |
| <b>d</b> | AR301424mm-mm   | 3,000 | 30' | 22mmx14    | 22x14  | 1/4" | 140° F | \$65.62 |

### Oil Resistant Nylon Hose

Braided Rubber Hoses will handle the higher pressure ranges for commercial/industrial machines. Select the length and pressure needed for the job.

|          |           |       |     |         |        |       |        |          |
|----------|-----------|-------|-----|---------|--------|-------|--------|----------|
| <b>e</b> | AR2551630 | 3,700 | 25' | 22mmx14 | 3/8" M | 5/16" | 140° F | \$77.31  |
| <b>f</b> | AR3051635 | 3,100 | 30' | 22mmx14 | 3/8" M | 5/16" | 212° F | \$171.06 |



a-b



c-d



e-f



g-h



i

| MOD | <br>psi | COLOR | HOSE LENGTH<br>ft | INLET<br>in | OUTLET<br>in | INNER DIAMETER<br>in | MAX TEMP<br>° F | LIST PRICE<br>\$ |
|-----|--|-------|-------------------|-------------|--------------|----------------------|-----------------|------------------|
|-----|--|-------|-------------------|-------------|--------------|----------------------|-----------------|------------------|

### Hoses (Rigid x Swivel End with Hose Protectors)

Two Wire Steel Braided Wrapped Black Hose Cover.

|          |               |       |       |      |        |        |      |        |          |
|----------|---------------|-------|-------|------|--------|--------|------|--------|----------|
| <b>a</b> | AR501240-BLK  | 4,000 | Black | 50'  | 1/2" M | 1/2" M | 1/2" | 250° F | \$403.33 |
| <b>b</b> | AR1001240-BLK | 4,000 | Black | 100' | 1/2" M | 1/2" M | 1/2" | 250° F | \$716.63 |

### Hoses (Rigid x Swivel End with Hose Protectors)

One Wire Steel Braided Wrapped Hose Cover.

|          |                 |       |       |      |        |        |      |        |          |
|----------|-----------------|-------|-------|------|--------|--------|------|--------|----------|
| <b>c</b> | AR503830-W-BLK  | 3,000 | Black | 50'  | 3/8" M | 3/8" M | 3/8" | 250° F | \$222.73 |
| <b>d</b> | AR1003830-W-BLK | 3,000 | Black | 100' | 3/8" M | 3/8" M | 3/8" | 250° F | \$445.48 |
| <b>e</b> | AR503840-BLU    | 4,000 | Blue  | 50'  | 3/8" M | 3/8" M | 3/8" | 250° F | \$242.03 |
| <b>f</b> | AR1003840-BLU   | 4,000 | Blue  | 100' | 3/8" M | 3/8" M | 3/8" | 250° F | \$429.86 |
| <b>g</b> | AR503840-GRY    | 4,000 | Gray  | 50'  | 3/8" M | 3/8" M | 3/8" | 250° F | \$234.77 |
| <b>h</b> | AR1003840-GRY   | 4,000 | Gray  | 100' | 3/8" M | 3/8" M | 3/8" | 250° F | \$398.61 |
| <b>i</b> | AR1003854-BLK   | 5,400 | Black | 100' | 3/8" M | 3/8" M | 3/8" | 250° F | \$525.48 |



# ACCESSORIES

## HOSE REELS & CARTS

The heavy gauge steel construction hose reel, bolt on design, maximum pressure 3,000 PSI, handles 100 feet of 3/8" pressure hose. Designed for use on portable, trailer or truck mount and pressure washers. Can also be mounted for drop lines.



a



b-c



d-e



f



g

| MOD |  MAX<br>psi | INLET<br>in | HOLDS HOSE LENGTH<br>ft | MAX TEMP<br>° F | LIST PRICE<br>\$ |
|-----|--|-------------|-------------------------|-----------------|------------------|
|-----|--|-------------|-------------------------|-----------------|------------------|

### AR-REEL100

1/4" Standard Coupler Connects.

|              |       |      |      |        |          |
|--------------|-------|------|------|--------|----------|
| a AR-REEL100 | 3,000 | 3/8" | 100' | 160° F | \$326.80 |
|--------------|-------|------|------|--------|----------|

### 5701 - 5704

|                                 |       |      |      |        |          |
|---------------------------------|-------|------|------|--------|----------|
| b 5701                          | 3,000 | 3/8" | 50'  | 212° F | \$158.03 |
| c 5702                          | 3,000 | 3/8" | 100' | 212° F | \$210.69 |
| d 5703 (Stainless Steel Swivel) | 4,000 | 3/8" | 50'  | 212° F | \$190.39 |
| e 5704 (Stainless Steel Swivel) | 4,000 | 3/8" | 100' | 212° F | \$253.85 |

### Stainless Steel Hose Reel

This heavy gauge steel construction hose reel, bolt-on design.

|         |       |      |      |        |            |
|---------|-------|------|------|--------|------------|
| f AR151 | 5,000 | 3/8" | 250' | 400° F | \$1,171.06 |
|---------|-------|------|------|--------|------------|

### Retractable Hose Reel

3/8" M Outlet.

|        |       |        |            |        |          |
|--------|-------|--------|------------|--------|----------|
| g 5715 | 4,060 | 3/8" M | 50' - 3/8" | 212° F | \$546.50 |
|--------|-------|--------|------------|--------|----------|



a



c

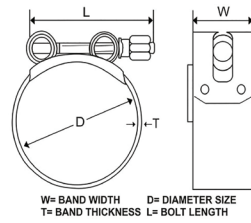
| MOD |  MAX<br>hp | DESCRIPTION | PLATFORM<br>in | RUBBER TIRES<br>in | COLOR | LIST PRICE<br>\$ |
|-----|---|-------------|----------------|--------------------|-------|------------------|
|-----|---|-------------|----------------|--------------------|-------|------------------|

### Gas Unit Carts

The A.R. Cart Assemblies simplify building of pressure washers. Check the needed size to fit the pump/motor combination used, then select the cart size that it will best fit on. Use the pre-drilled holes, or modify the cart for custom applications.

|        |     |  |                     |     |       |          |
|--------|-----|--|---------------------|-----|-------|----------|
| a 5950 | 6.5 | 31" L x 21" W x 33" H Overall Dimensions   | 14.75" L x 10.75" W | 10" | Black | \$323.41 |
| b 5951 | -   | Wheel Assembly                             | -                   | -   | -     | \$33.91  |
| c 5955 | 13  | 36" L x 28" W x 32.5" H Overall Dimensions | 21" L x 14" W       | 13" | Black | \$413.72 |
| d 5956 | -   | Wheel Assembly                             | -                   | -   | -     | \$60.01  |

# ACCESSORIES



## T-BOLT SUPER CLAMP

**Construction:** Bolt: T Head bolt grade 8.8, available in Galvanized Steel and Stainless Steel AISI 304.

**Feature:** Superex clamps are heavy duty clamps having high band tension; designed for sealing suction and pressure lines.

Smooth underside and rolled-up band edges are gentle on the hose and reduce risk of leakages. Uniquely designed bridge for clamp provides optional hose protection. Contains three welding points for increased security for large sizes. Hollow rollers provide high uniform torque and eliminate chances of damage to the band.

**Application:** Heavy duty clamp for heavy gauge reinforced hoses used for agriculture and industrial usage. Main applications include vehicle construction, agricultural machines and vehicles, ship building, recycling, biogas, industrial plant construction, rail vehicles, construction industry, etc.

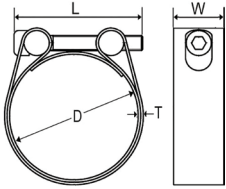
| MOD                          | HOSE O.D.<br>(D)   | BANDWIDTH<br>(W) | BAND<br>THICKNESS (T) | LIST<br>PRICE |
|------------------------------|--------------------|------------------|-----------------------|---------------|
|                              | in                 | in               | in                    | \$            |
| <b>Galvanized Steel (W1)</b> |                    |                  |                       |               |
| 17-19 W1                     | 5/8"-3/4"          | 7/10"            | 1/50"                 | \$1.49        |
| 20-22 W1                     | 5/8"-3/4"          | 7/10"            | 1/50"                 | \$1.49        |
| 23-25 W1                     | 7/8"-1"            | 7/10"            | 1/50"                 | \$1.60        |
| 26-28 W1                     | 1"-1 1/8"          | 7/10"            | 1/50"                 | \$1.60        |
| 29-31 W1                     | 1 1/8"-1 1/4"      | 4/5"             | 6/50"                 | \$1.80        |
| 32-35 W1                     | 1 1/4"-1 3/8"      | 4/5"             | 6/50"                 | \$1.92        |
| 36-39 W1                     | 1 3/8"-1 1/2"      | 4/5"             | 6/50"                 | \$2.01        |
| 40-43 W1                     | 1 1/2"-1 11/16"    | 4/5"             | 6/50"                 | \$2.77        |
| 44-47 W1                     | 1 11/16"-1 7/8"    | 4/5"             | 2/50"                 | \$2.77        |
| 48-51 W1                     | 1 7/8"-2"          | 4/5"             | 2/50"                 | \$2.77        |
| 52-55 W1                     | 2"-2 3/16"         | 4/5"             | 2/50"                 | \$2.86        |
| 56-59 W1                     | 2 3/16"-2 5/16"    | 4/5"             | 2/50"                 | \$2.98        |
| 60-63 W1                     | 2 5/16"-2 1/2"     | 4/5"             | 2/50"                 | \$2.98        |
| 64-67 W1                     | 2 1/2"-2 5/8"      | 4/5"             | 2/50"                 | \$3.08        |
| 68-73 W1                     | 2 5/8"-2 7/8"      | 47/50"           | 3/50"                 | \$4.04        |
| 74-79 W1                     | 2 7/8"-3 1/8"      | 47/50"           | 3/50"                 | \$4.14        |
| 80-85 W1                     | 3 1/8"-3 5/16"     | 47/50"           | 3/50"                 | \$4.25        |
| 86-91 W1                     | 3 3/8"-3 11/16"    | 47/50"           | 3/50"                 | \$4.47        |
| 92-97 W1                     | 3 11/16"-3 13/16"  | 47/50"           | 3/50"                 | \$4.47        |
| 98-103 W1                    | 3 13/16"-4 1/16"   | 47/50"           | 3/50"                 | \$4.57        |
| 104-112 W1                   | 4 1/16"-4 7/16"    | 47/50"           | 3/50"                 | \$4.68        |
| 113-121 W1                   | 4 7/16"-4 3/4"     | 47/50"           | 3/50"                 | \$4.89        |
| 122-130 W1                   | 4 3/4"-5 1/8"      | 47/50"           | 3/50"                 | \$4.99        |
| 131-139 W1                   | 5 1/8"-5 1/2"      | 47/50"           | 3/50"                 | \$6.58        |
| 140-148 W1                   | 5 1/2"-5 7/8"      | 1 1/50"          | 3/50"                 | \$6.68        |
| 149-161 W1                   | 5 7/8"-6 5/16"     | 1 1/50"          | 3/50"                 | \$7.12        |
| 162-174 W1                   | 6 5/16"-6 7/8"     | 1 1/50"          | 3/50"                 | \$7.44        |
| 175-187 W1                   | 6 7/8"-7 3/8"      | 1 1/50"          | 3/50"                 | \$7.55        |
| 188-200 W1                   | 7 3/8"-7 7/8"      | 1 1/50"          | 3/50"                 | \$7.86        |
| 201-213 W1                   | 7 7/8"-8 3/8"      | 1 1/50"          | 3/50"                 | \$7.86        |
| 214-226 W1                   | 8 3/8"-8 7/8"      | 1 1/50"          | 3/50"                 | \$8.18        |
| 227-239 W1                   | 8 7/8"-9 3/8"      | 1 1/50"          | 3/50"                 | \$8.28        |
| 240-252 W1                   | 9 3/8"-9 15/16"    | 1 1/50"          | 3/50"                 | \$8.61        |
| 254-267 W1                   | 9 15/16"-10 1/2"   | 1 1/50"          | 3/50"                 | \$9.25        |
| 304-316 W1                   | 11 15/16"-12 7/16" | 1 1/50"          | 3/50"                 | \$9.56        |

| MOD                                  | HOSE O.D.<br>(D)   | BANDWIDTH<br>(W) | BAND<br>THICKNESS (T) | LIST<br>PRICE |
|--------------------------------------|--------------------|------------------|-----------------------|---------------|
|                                      | in                 | in               | in                    | \$            |
| <b>Stainless Steel AISI 304 (W4)</b> |                    |                  |                       |               |
| 29-31 W4                             | 1 1/8"-1 1/4"      | 4/5"             | 6/50"                 | \$4.99        |
| 32-35 W4                             | 1 1/4"-1 3/8"      | 4/5"             | 6/50"                 | \$5.11        |
| 36-39 W4                             | 1 3/8"-1 1/2"      | 4/5"             | 6/50"                 | \$5.21        |
| 40-43 W4                             | 1 1/2"-1 11/16"    | 4/5"             | 6/50"                 | \$5.48        |
| 44-47 W4                             | 1 11/16"-1 7/8"    | 4/5"             | 6/50"                 | \$5.95        |
| 48-51 W4                             | 1 7/8"-2"          | 4/5"             | 6/50"                 | \$6.06        |
| 52-55 W4                             | 2"-2 3/16"         | 4/5"             | 6/50"                 | \$6.39        |
| 56-59 W4                             | 2 3/16"-2 5/16"    | 4/5"             | 6/50"                 | \$6.58        |
| 60-63 W4                             | 2 5/16"-2 1/2"     | 4/5"             | 6/50"                 | \$6.80        |
| 64-67 W4                             | 2 1/2"-2 5/8"      | 4/5"             | 6/50"                 | \$7.00        |
| 68-73 W4                             | 2 5/8"-2 7/8"      | 47/50"           | 1/25"                 | \$8.82        |
| 74-79 W4                             | 2 7/8"-3 1/8"      | 47/50"           | 1/25"                 | \$9.03        |
| 80-85 W4                             | 3 1/8"-3 5/16"     | 47/50"           | 1/25"                 | \$9.35        |
| 86-91 W4                             | 3 3/8"-3 11/16"    | 47/50"           | 1/25"                 | \$9.46        |
| 92-97 W4                             | 3 11/16"-3 13/16"  | 47/50"           | 1/25"                 | \$9.89        |
| 98-103 W4                            | 3 13/16"-4 1/16"   | 47/50"           | 1/25"                 | \$9.98        |
| 104-112 W4                           | 4 1/16"-4 7/16"    | 47/50"           | 1/25"                 | \$10.84       |
| 113-121 W4                           | 4 7/16"-4 3/4"     | 47/50"           | 1/25"                 | \$10.95       |
| 122-130 W4                           | 4 3/4"-5 1/8"      | 47/50"           | 1/25"                 | \$11.46       |
| 131-139 W4                           | 5 1/8"-5 1/2"      | 47/50"           | 1/25"                 | \$16.25       |
| 140-148 W4                           | 5 1/2"-5 7/8"      | 1 1/50"          | 1/25"                 | \$16.57       |
| 149-161 W4                           | 5 7/8"-6 5/16"     | 1 1/50"          | 1/25"                 | \$17.74       |
| 162-174 W4                           | 6 5/16"-6 7/8"     | 1 1/50"          | 1/25"                 | \$17.95       |
| 175-187 W4                           | 6 7/8"-7 3/8"      | 1 1/50"          | 1/25"                 | \$18.28       |
| 188-200 W4                           | 7 3/8"-7 7/8"      | 1 1/50"          | 1/25"                 | \$19.12       |
| 201-213 W4                           | 7 7/8"-8 3/8"      | 1 1/50"          | 1/25"                 | \$19.33       |
| 214-226 W4                           | 8 3/8"-8 7/8"      | 1 1/50"          | 1/25"                 | \$19.65       |
| 227-239 W4                           | 8 7/8"-9 3/8"      | 1 1/50"          | 1/25"                 | \$20.51       |
| 240-252 W4                           | 9 3/8"-9 15/16"    | 1 1/50"          | 1/25"                 | \$20.82       |
| 254-267 W4                           | 9 15/16"-10 1/2"   | 1 1/50"          | 1/25"                 | \$21.35       |
| 304-316 W4                           | 11 15/16"-12 7/16" | 1 1/50"          | 1/25"                 | \$22.09       |



# ACCESSORIES

## SUPEREXTRA SINGLE BOLT CLAMP



W= BAND WIDTH  
D= DIAMETER SIZE  
T= BAND THICKNESS L= BOLT LENGTH



**Construction:** Bolt: Socket head grade 8.8. Available in Galvanized Steel, Stainless Steel AISI 304 and AISI 316.

**Feature:** Clamp has a double band making it a very strong heavy duty clamp. Bridge welded onto lamp for optional hose protection.

Solid metal rollers complement the strength of the double band. Socket head screws allow for easy installation with allen key.

**Application:** Double bank make clamp ideal for heavy applications. Main applications are heavy vehicles and industrial machinery.

Availability of clamp in AISI 316 make it popular for use in marine and offshore applications.

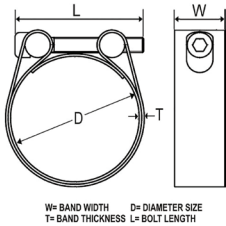
| MOD                          | HOSE O.D.<br>- MM (D) | HOSE O.D.<br>(D)  | BAND<br>WIDTH<br>(W) | BAND<br>THICKNESS<br>(T) | BOLT<br>LENGTH<br>(L) | LIST<br>PRICE |
|------------------------------|-----------------------|-------------------|----------------------|--------------------------|-----------------------|---------------|
|                              |                       | in                | in                   | in                       |                       | \$            |
| <b>Galvanized Steel (W1)</b> |                       |                   |                      |                          |                       |               |
| S-35 W1                      | 30 - 36               | 1 3/16"-1 7/16"   | 4/5"                 | 1/50"                    | 1 4/5"                | \$3.62        |
| S-40 W1                      | 35 - 41               | 1 3/8"-1 5/8"     | 4/5"                 | 1/50"                    | 1 4/5"                | \$3.71        |
| S-45 W1                      | 40 - 46               | 1 9/16"-1 13/16"  | 4/5"                 | 1/50"                    | 1 4/5"                | \$3.71        |
| S-50 W1                      | 45 - 51               | 1 3/4"-2"         | 4/5"                 | 1/50"                    | 1 4/5"                | \$3.82        |
| S-55 W1                      | 50 - 56               | 2"-2 3/16"        | 4/5"                 | 1/50"                    | 1 4/5"                | \$3.93        |
| S-60 W1                      | 55 - 61               | 2 3/16"-2 3/8"    | 4/5"                 | 1/50"                    | 1 4/5"                | \$4.04        |
| S-65 W1                      | 60 - 66               | 2 3/8"-2 5/8"     | 4/5"                 | 1/50"                    | 1 4/5"                | \$4.35        |
| S-70 W1                      | 65 - 71               | 2 9/16"-2 13/16"  | 4/5"                 | 1/50"                    | 1 4/5"                | \$4.47        |
| S-75 W1                      | 70 - 76               | 2 3/4"-3"         | 4/5"                 | 1/50"                    | 1 4/5"                | \$4.47        |
| S-80 W1                      | 75 - 76               | 2 15/16"-3 3/16"  | 4/5"                 | 1/50"                    | 1 4/5"                | \$4.57        |
| S-85 W1                      | 80 - 86               | 3 1/8"-3 3/8"     | 4/5"                 | 1/50"                    | 1 4/5"                | \$4.68        |
| S-90 W1                      | 85 - 91               | 3 3/8"-3 9/16"    | 4/5"                 | 1/50"                    | 1 4/5"                | \$4.68        |
| S-95 W1                      | 90 - 96               | 3 9/16"-3 3/4"    | 4/5"                 | 1/50"                    | 1 4/5"                | \$4.78        |
| S-100 W1                     | 95 - 101              | 3 3/4"-4"         | 4/5"                 | 1/50"                    | 1 4/5"                | \$4.89        |
| S-105 W1                     | 100 - 106             | 3 15/16"-4 3/16"  | 4/5"                 | 1/50"                    | 1 4/5"                | \$5.11        |
| S-110 W1                     | 105 - 111             | 4 1/8"-4 3/8"     | 4/5"                 | 1/50"                    | 1 4/5"                | \$5.21        |
| S-115 W1                     | 110 - 116             | 4 5/16"-4 9/16"   | 4/5"                 | 1/50"                    | 1 4/5"                | \$5.31        |
| S-120 W1                     | 115 - 121             | 4 1/2"-4 3/4"     | 4/5"                 | 1/50"                    | 1 4/5"                | \$5.42        |
| S-125 W1                     | 120 - 126             | 4 11/16"-4 15/16" | 4/5"                 | 1/50"                    | 1 4/5"                | \$5.52        |
| S-130 W1                     | 125 - 131             | 4 15/16"-5 1/8"   | 4/5"                 | 1/50"                    | 1 4/5"                | \$5.75        |
| S-135 W1                     | 130 - 136             | 5 1/8"-5 5/16"    | 4/5"                 | 1/50"                    | 1 4/5"                | \$5.75        |
| S-140 W1                     | 135 - 141             | 5 5/16"-5 9/16"   | 4/5"                 | 1/50"                    | 1 4/5"                | \$5.84        |
| S-145 W1                     | 140 - 146             | 5 1/2"-5 3/4"     | 4/5"                 | 1/50"                    | 1 4/5"                | \$5.95        |
| S-150 W1                     | 145 - 151             | 5 11/16"-5 15/16" | 4/5"                 | 1/50"                    | 1 4/5"                | \$5.95        |

| MOD                                  | HOSE O.D.<br>- MM (D) | HOSE O.D.<br>(D)  | BAND<br>WIDTH<br>(W) | BAND<br>THICKNESS<br>(T) | BOLT<br>LENGTH<br>(L) | LIST<br>PRICE |
|--------------------------------------|-----------------------|-------------------|----------------------|--------------------------|-----------------------|---------------|
|                                      |                       | in                | in                   | in                       |                       | \$            |
| <b>Stainless Steel AISI 304 (W4)</b> |                       |                   |                      |                          |                       |               |
| S-35 W4                              | 30 - 36               | 1 3/16"-1 7/16"   | 4/5"                 | 1/50"                    | 1 4/5"                | \$9.56        |
| S-40 W4                              | 35 - 41               | 1 3/8"-1 5/8"     | 4/5"                 | 1/50"                    | 1 4/5"                | \$9.77        |
| S-45 W4                              | 40 - 46               | 1 9/16"-1 13/16"  | 4/5"                 | 1/50"                    | 1 4/5"                | \$9.98        |
| S-50 W4                              | 45 - 51               | 1 3/4"-2"         | 4/5"                 | 1/50"                    | 1 4/5"                | \$10.09       |
| S-55 W4                              | 50 - 56               | 2"-2 3/16"        | 4/5"                 | 1/50"                    | 1 4/5"                | \$10.53       |
| S-60 W4                              | 55 - 61               | 2 3/16"-2 3/8"    | 4/5"                 | 1/50"                    | 1 4/5"                | \$10.84       |
| S-65 W4                              | 60 - 66               | 2 3/8"-2 5/8"     | 4/5"                 | 1/50"                    | 1 4/5"                | \$10.95       |
| S-70 W4                              | 65 - 71               | 2 9/16"-2 13/16"  | 4/5"                 | 1/50"                    | 1 4/5"                | \$11.37       |
| S-75 W4                              | 70 - 76               | 2 3/4"-3"         | 4/5"                 | 1/50"                    | 1 4/5"                | \$11.59       |
| S-80 W4                              | 75 - 76               | 2 15/16"-3 3/16"  | 4/5"                 | 1/50"                    | 1 4/5"                | \$11.79       |
| S-85 W4                              | 80 - 86               | 3 1/8"-3 3/8"     | 4/5"                 | 1/50"                    | 1 4/5"                | \$11.79       |
| S-90 W4                              | 85 - 91               | 3 3/8"-3 9/16"    | 4/5"                 | 1/50"                    | 1 4/5"                | \$12.11       |
| S-95 W4                              | 90 - 96               | 3 9/16"-3 3/4"    | 4/5"                 | 1/50"                    | 1 4/5"                | \$12.54       |
| S-100 W4                             | 95 - 101              | 3 3/4"-4"         | 4/5"                 | 1/50"                    | 1 4/5"                | \$12.75       |
| S-105 W4                             | 100 - 106             | 3 15/16"-4 3/16"  | 4/5"                 | 1/50"                    | 1 4/5"                | \$12.96       |
| S-110 W4                             | 105 - 111             | 4 1/8"-4 3/8"     | 4/5"                 | 1/50"                    | 1 4/5"                | \$13.49       |
| S-115 W4                             | 110 - 116             | 4 5/16"-4 9/16"   | 4/5"                 | 1/50"                    | 1 4/5"                | \$13.70       |
| S-120 W4                             | 115 - 121             | 4 1/2"-4 3/4"     | 4/5"                 | 1/50"                    | 1 4/5"                | \$14.03       |
| S-125 W4                             | 120 - 126             | 4 11/16"-4 15/16" | 4/5"                 | 1/50"                    | 1 4/5"                | \$14.44       |
| S-130 W4                             | 125 - 131             | 4 15/16"-5 1/8"   | 4/5"                 | 1/50"                    | 1 4/5"                | \$14.76       |
| S-135 W4                             | 130 - 136             | 5 1/8"-5 5/16"    | 4/5"                 | 1/50"                    | 1 4/5"                | \$14.98       |
| S-140 W4                             | 135 - 141             | 5 5/16"-5 9/16"   | 4/5"                 | 1/50"                    | 1 4/5"                | \$15.19       |
| S-145 W4                             | 140 - 146             | 5 1/2"-5 3/4"     | 4/5"                 | 1/50"                    | 1 4/5"                | \$15.40       |
| S-150 W4                             | 145 - 151             | 5 11/16"-5 15/16" | 4/5"                 | 1/50"                    | 1 4/5"                | \$15.51       |





## SUPEREXTRA SINGLE BOLT CLAMP



**Construction:** Bolt: Socket head grade 8.8. Available in Galvanized Steel, Stainless Steel AISI 304 and AISI 316.

**Feature:** Clamp has a double band making it a very strong heavy duty clamp. Bridge welded onto clamp for optional hose protection. Solid metal rollers complement the strength of the double band. Socket head screws allow for easy installation with allen key.

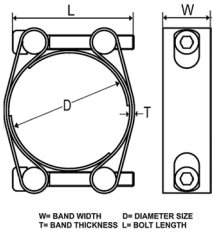
**Application:** Double bank make clamp ideal for heavy applications. Main applications are heavy vehicles and industrial machinery. Availability of clamp in AISI 316 make it popular for use in marine and offshore applications.

| MOD                                  | HOSE O.D.<br>- MM (D) | HOSE O.D.<br>(D)  | BAND<br>WIDTH<br>(W) | BAND<br>THICKNESS<br>(T) | BOLT<br>LENGTH<br>(L) | LIST<br>PRICE |
|--------------------------------------|-----------------------|-------------------|----------------------|--------------------------|-----------------------|---------------|
|                                      |                       | in                | in                   | in                       |                       | \$            |
| <b>Stainless Steel AISI 316 (W5)</b> |                       |                   |                      |                          |                       |               |
| S-35 W5                              | 30 - 36               | 1 3/16"-1 7/16"   | 4/5"                 | 1/50"                    | 1 4/5"                | \$14.23       |
| S-40 W5                              | 35 - 41               | 1 3/8"-1 5/8"     | 4/5"                 | 1/50"                    | 1 4/5"                | \$14.34       |
| S-45 W5                              | 40 - 46               | 1 9/16"-1 13/16"  | 4/5"                 | 1/50"                    | 1 4/5"                | \$14.76       |
| S-50 W5                              | 45 - 51               | 1 3/4"-2"         | 4/5"                 | 1/50"                    | 1 4/5"                | \$14.98       |
| S-55 W5                              | 50 - 56               | 2"-2 3/16"        | 4/5"                 | 1/50"                    | 1 4/5"                | \$15.40       |
| S-60 W5                              | 55 - 61               | 2 3/16"-2 3/8"    | 4/5"                 | 1/50"                    | 1 4/5"                | \$15.73       |
| S-65 W5                              | 60 - 66               | 2 3/8"-2 5/8"     | 4/5"                 | 1/50"                    | 1 4/5"                | \$16.25       |
| S-70 W5                              | 65 - 71               | 2 9/16"-2 13/16"  | 4/5"                 | 1/50"                    | 1 4/5"                | \$16.57       |
| S-75 W5                              | 70 - 76               | 2 3/4"-3"         | 4/5"                 | 1/50"                    | 1 4/5"                | \$17.31       |
| S-80 W5                              | 75 - 76               | 2 15/16"-3 3/16"  | 4/5"                 | 1/50"                    | 1 4/5"                | \$17.74       |
| S-85 W5                              | 80 - 86               | 3 1/8"-3 3/8"     | 4/5"                 | 1/50"                    | 1 4/5"                | \$18.07       |
| S-90 W5                              | 85 - 91               | 3 3/8"-3 9/16"    | 4/5"                 | 1/50"                    | 1 4/5"                | \$18.38       |
| S-95 W5                              | 90 - 96               | 3 9/16"-3 3/4"    | 4/5"                 | 1/50"                    | 1 4/5"                | \$18.81       |
| S-100 W5                             | 95 - 101              | 3 3/4"-4"         | 4/5"                 | 1/50"                    | 1 4/5"                | \$19.54       |
| S-105 W5                             | 100 - 106             | 3 15/16"-4 3/16"  | 4/5"                 | 1/50"                    | 1 4/5"                | \$20.18       |
| S-110 W5                             | 105 - 111             | 4 1/8"-4 3/8"     | 4/5"                 | 1/50"                    | 1 4/5"                | \$20.93       |
| S-115 W5                             | 110 - 116             | 4 5/16"-4 9/16"   | 4/5"                 | 1/50"                    | 1 4/5"                | \$21.35       |
| S-120 W5                             | 115 - 121             | 4 1/2"-4 3/4"     | 4/5"                 | 1/50"                    | 1 4/5"                | \$21.67       |
| S-125 W5                             | 120 - 126             | 4 11/16"-4 15/16" | 4/5"                 | 1/50"                    | 1 4/5"                | \$21.99       |
| S-130 W5                             | 125 - 131             | 4 15/16"-5 1/8"   | 4/5"                 | 1/50"                    | 1 4/5"                | \$22.42       |
| S-135 W5                             | 130 - 136             | 5 1/8"-5 5/16"    | 4/5"                 | 1/50"                    | 1 4/5"                | \$22.74       |
| S-140 W5                             | 135 - 141             | 5 5/16"-5 9/16"   | 4/5"                 | 1/50"                    | 1 4/5"                | \$23.15       |
| S-145 W5                             | 140 - 146             | 5 1/2"-5 3/4"     | 4/5"                 | 1/50"                    | 1 4/5"                | \$23.79       |
| S-150 W5                             | 145 - 151             | 5 11/16"-5 15/16" | 4/5"                 | 1/50"                    | 1 4/5"                | \$24.53       |



# ACCESSORIES

## SUPEREXTRA DOUBLE BOLT CLAMP



**Construction:** Bolt: Socket head grade 8.8. Available in Galvanized Steel, Stainless Steel AISI 304 and AISI 316.

**Feature:** Heavy duty clamp having double screws providing it a high clamping force. Clamp has a double band making it a very strong heavy duty clamp. Contains 2 bridges welded onto the clamp band for optimal hose protection. Contains 2 pairs of solid metal rollers which complement the strength of the double band. The double bolts allow for easy fitting on prefixed hoses. Socket head screws allow for easy installation with allen key.

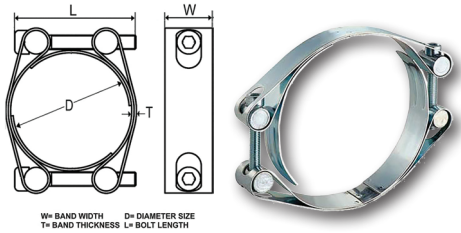
**Application:** Ideal for applications where higher pressure and greater strength is required. Main applications are heavy vehicles and industrial machinery. Availability of clamp in AISI 316 make it popular for use in marine and offshore applications.

| MOD                          | HOSE O.D.<br>- MM (D) | HOSE O.D.<br>(D) | BANDWIDTH<br>(W) | LIST<br>PRICE |
|------------------------------|-----------------------|------------------|------------------|---------------|
|                              | in                    |                  | in               | \$            |
| <b>Galvanized Steel (W1)</b> |                       |                  |                  |               |
| SD-50 W1                     | 41 - 51               | 1 5/8"-2"        | 4/5"             | \$6.53        |
| SD-55 W1                     | 46 - 56               | 1 13/16"-2 3/16" | 4/5"             | \$6.60        |
| SD-60 W1                     | 51 - 61               | 2"-2 3/8"        | 4/5"             | \$6.62        |
| SD-65 W1                     | 56 - 66               | 2 3/16"-2 9/16"  | 4/5"             | \$6.65        |
| SD-70 W1                     | 61 - 71               | 2 3/8"-2 13/16"  | 4/5"             | \$6.82        |
| SD-75 W1                     | 66 - 76               | 2 9/16"-3"       | 4/5"             | \$6.68        |
| SD-80 W1                     | 71 - 81               | 2 13/16"-3 3/16" | 4/5"             | \$6.80        |
| SD-85 W1                     | 76 - 86               | 3"-3 3/8"        | 4/5"             | \$6.91        |
| SD-90 W1                     | 81 - 91               | 3 3/16"-3 9/16"  | 4/5"             | \$7.12        |
| SD-95 W1                     | 86 - 96               | 3 3/8"-3 3/4"    | 4/5"             | \$7.22        |
| SD-100 W1                    | 91 - 101              | 3 9/16"-4"       | 4/5"             | \$7.32        |
| SD-105 W1                    | 96 - 106              | 3 13/16"-4 3/16" | 4/5"             | \$7.55        |
| SD-110 W1                    | 101 - 111             | 4"-4 3/8"        | 4/5"             | \$7.64        |
| SD-115 W1                    | 106 - 116             | 4 3/16"-4 9/16"  | 4/5"             | \$7.76        |
| SD-120 W1                    | 111 - 121             | 4 3/8"-4 3/4"    | 4/5"             | \$7.97        |
| SD-125 W1                    | 116 - 126             | 4 9/16"-4 15/16" | 4/5"             | \$8.08        |
| SD-130 W1                    | 121 - 131             | 4 3/4"-5 1/8"    | 4/5"             | \$8.18        |
| SD-135 W1                    | 126 - 136             | 4 15/16"-5 5/16" | 4/5"             | \$8.39        |
| SD-140 W1                    | 131 - 141             | 5 1/8"-5 9/16"   | 4/5"             | \$8.49        |
| SD-145 W1                    | 136 - 146             | 5 5/16"-5 3/4"   | 4/5"             | \$8.71        |
| SD-150 W1                    | 141 - 151             | 5 9/16"-5 15/16" | 4/5"             | \$8.82        |
| SD-155 W1                    | 146 - 156             | 5 3/4"-6 1/8"    | 4/5"             | \$8.92        |
| SD-160 W1                    | 151 - 161             | 5 15/16"-6 5/16" | 4/5"             | \$8.92        |
| SD-165 W1                    | 156 - 166             | 6 1/8"-6 9/16"   | 4/5"             | \$9.13        |
| SD-170 W1                    | 161 - 171             | 6 5/16"-6 3/4"   | 4/5"             | \$9.25        |
| SD-175 W1                    | 166 - 176             | 6 9/16"-6 15/16" | 4/5"             | \$9.35        |
| SD-180 W1                    | 171 - 181             | 6 3/4"-7 1/8"    | 4/5"             | \$9.35        |

| MOD                                  | HOSE O.D.<br>- MM (D) | HOSE O.D.<br>(D) | BANDWIDTH<br>(W) | LIST<br>PRICE |
|--------------------------------------|-----------------------|------------------|------------------|---------------|
|                                      | in                    |                  | in               | \$            |
| <b>Stainless Steel AISI 304 (W4)</b> |                       |                  |                  |               |
| SD-50 W4                             | 41 - 51               | 1 5/8"-2"        | 4/5"             | \$16.15       |
| SD-55 W4                             | 46 - 56               | 1 13/16"-2 3/16" | 4/5"             | \$17.53       |
| SD-60 W4                             | 51 - 61               | 2"-2 3/8"        | 4/5"             | \$17.74       |
| SD-65 W4                             | 56 - 66               | 2 3/16"-2 9/16"  | 4/5"             | \$18.07       |
| SD-70 W4                             | 61 - 71               | 2 3/8"-2 13/16"  | 4/5"             | \$18.17       |
| SD-75 W4                             | 66 - 76               | 2 9/16"-3"       | 4/5"             | \$18.38       |
| SD-80 W4                             | 71 - 81               | 2 13/16"-3 3/16" | 4/5"             | \$19.12       |
| SD-85 W4                             | 76 - 86               | 3"-3 3/8"        | 4/5"             | \$19.54       |
| SD-90 W4                             | 81 - 91               | 3 3/16"-3 9/16"  | 4/5"             | \$19.75       |
| SD-95 W4                             | 86 - 96               | 3 3/8"-3 3/4"    | 4/5"             | \$20.07       |
| SD-100 W4                            | 91 - 101              | 3 9/16"-4"       | 4/5"             | \$20.39       |
| SD-105 W4                            | 96 - 106              | 3 13/16"-4 3/16" | 4/5"             | \$20.71       |
| SD-110 W4                            | 101 - 111             | 4"-4 3/8"        | 4/5"             | \$21.03       |
| SD-115 W4                            | 106 - 116             | 4 3/16"-4 9/16"  | 4/5"             | \$21.45       |
| SD-120 W4                            | 111 - 121             | 4 3/8"-4 3/4"    | 4/5"             | \$21.70       |
| SD-125 W4                            | 116 - 126             | 4 9/16"-4 15/16" | 4/5"             | \$21.98       |
| SD-130 W4                            | 121 - 131             | 4 3/4"-5 1/8"    | 4/5"             | \$22.25       |
| SD-135 W4                            | 126 - 136             | 4 15/16"-5 5/16" | 4/5"             | \$22.42       |
| SD-140 W4                            | 131 - 141             | 5 1/8"-5 9/16"   | 4/5"             | \$23.15       |
| SD-145 W4                            | 136 - 146             | 5 5/16"-5 3/4"   | 4/5"             | \$23.79       |
| SD-150 W4                            | 141 - 151             | 5 9/16"-5 15/16" | 4/5"             | \$24.01       |
| SD-155 W4                            | 146 - 156             | 5 3/4"-6 1/8"    | 4/5"             | \$24.12       |
| SD-160 W4                            | 151 - 161             | 5 15/16"-6 5/16" | 4/5"             | \$24.23       |
| SD-165 W4                            | 156 - 166             | 6 1/8"-6 9/16"   | 4/5"             | \$24.53       |
| SD-170 W4                            | 161 - 171             | 6 5/16"-6 3/4"   | 4/5"             | \$24.96       |
| SD-175 W4                            | 166 - 176             | 6 9/16"-6 15/16" | 4/5"             | \$25.29       |
| SD-180 W4                            | 171 - 181             | 6 3/4"-7 1/8"    | 4/5"             | \$25.60       |



## SUPEREXTRA DOUBLE BOLT CLAMP



**Construction:** Bolt: Socket head grade 8.8. Available in Galvanized Steel, Stainless Steel AISI 304 and AISI 316.

**Feature:** Heavy duty clamp having double screws providing it a high clamping force. Clamp has a double band making it a very strong heavy duty clamp. Contains 2 bridges welded onto the clamp band for optimal hose protection. Contains 2 pairs of solid metal rollers which complement the strength of the double band. The double bolts allow for easy fitting on prefixed hoses. Socket head screws allow for easy installation with allen key.

**Application:** Ideal for applications where higher pressure and greater strength is required. Main applications are heavy vehicles and industrial machinery. Availability of clamp in AISI 316 make it popular for use in marine and offshore applications.

| MOD                                  | HOSE O.D.<br>- MM (D) | HOSE O.D.<br>(D) | BANDWIDTH<br>(W) | LIST<br>PRICE |
|--------------------------------------|-----------------------|------------------|------------------|---------------|
|                                      |                       | in               | in               | \$            |
| <b>Stainless Steel AISI 316 (W5)</b> |                       |                  |                  |               |
| SD-50 W5                             | 41 - 51               | 1 5/8"-2"        | 4/5"             | \$25.25       |
| SD-55 W5                             | 46 - 56               | 1 13/16"-2 3/16" | 4/5"             | \$25.49       |
| SD-60 W5                             | 51 - 61               | 2"-2 3/8"        | 4/5"             | \$26.35       |
| SD-65 W5                             | 56 - 66               | 2 3/16"-2 9/16"  | 4/5"             | \$26.56       |
| SD-70 W5                             | 61 - 71               | 2 3/8"-2 13/16"  | 4/5"             | \$27.09       |
| SD-75 W5                             | 66 - 76               | 2 9/16"-3"       | 4/5"             | \$27.41       |
| SD-80 W5                             | 71 - 81               | 2 13/16"-3 3/16" | 4/5"             | \$28.90       |
| SD-85 W5                             | 76 - 86               | 3"-3 3/8"        | 4/5"             | \$29.22       |
| SD-90 W5                             | 81 - 91               | 3 3/16"-3 9/16"  | 4/5"             | \$29.63       |
| SD-95 W5                             | 86 - 96               | 3 3/8"-3 3/4"    | 4/5"             | \$30.37       |
| SD-100 W5                            | 91 - 101              | 3 9/16"-4"       | 4/5"             | \$31.02       |
| SD-105 W5                            | 96 - 106              | 3 13/16"-4 3/16" | 4/5"             | \$31.77       |
| SD-110 W5                            | 101 - 111             | 4"-4 3/8"        | 4/5"             | \$32.51       |
| SD-115 W5                            | 106 - 116             | 4 3/16"-4 9/16"  | 4/5"             | \$33.25       |
| SD-120 W5                            | 111 - 121             | 4 3/8"-4 3/4"    | 4/5"             | \$34.00       |
| SD-125 W5                            | 116 - 126             | 4 9/16"-4 15/16" | 4/5"             | \$34.32       |
| SD-130 W5                            | 121 - 131             | 4 3/4"-5 1/8"    | 4/5"             | \$34.64       |
| SD-135 W5                            | 126 - 136             | 4 15/16"-5 5/16" | 4/5"             | \$35.05       |
| SD-140 W5                            | 131 - 141             | 5 1/8"-5 9/16"   | 4/5"             | \$36.11       |
| SD-145 W5                            | 136 - 146             | 5 5/16"-5 3/4"   | 4/5"             | \$36.85       |
| SD-150 W5                            | 141 - 151             | 5 9/16"-5 15/16" | 4/5"             | \$37.18       |
| SD-155 W5                            | 146 - 156             | 5 3/4"-6 1/8"    | 4/5"             | \$37.50       |
| SD-160 W5                            | 151 - 161             | 5 15/16"-6 5/16" | 4/5"             | \$37.91       |
| SD-165 W5                            | 156 - 166             | 6 1/8"-6 9/16"   | 4/5"             | \$38.24       |
| SD-170 W5                            | 161 - 171             | 6 5/16"-6 3/4"   | 4/5"             | \$38.99       |
| SD-175 W5                            | 166 - 176             | 6 9/16"-6 15/16" | 4/5"             | \$39.41       |
| SD-180 W5                            | 171 - 181             | 6 3/4"-7 1/8"    | 4/5"             | \$39.73       |

| MOD                          | HOSE O.D.<br>- MM (D) | HOSE O.D.<br>(D) | BANDWIDTH<br>(W) | LIST<br>PRICE |
|------------------------------|-----------------------|------------------|------------------|---------------|
|                              |                       | in               | in               | \$            |
| <b>Galvanized Steel (W1)</b> |                       |                  |                  |               |
| D-70 W1                      | 61 - 71               | 2 3/8"-2 13/16"  | 49/50"           | \$9.25        |
| D-75 W1                      | 66 - 76               | 2 5/8"-3"        | 49/50"           | \$9.35        |
| D-80 W1                      | 71 - 81               | 2 13/16"-3 3/16" | 49/50"           | \$9.56        |
| D-85 W1                      | 76 - 86               | 3"-3 3/8"        | 49/50"           | \$9.56        |
| D-90 W1                      | 81 - 91               | 3 3/16"-3 9/16"  | 49/50"           | \$9.77        |
| D-95 W1                      | 86 - 96               | 3 3/8"-3 3/4"    | 49/50"           | \$9.89        |
| D-100 W1                     | 91 - 101              | 3 9/16"-4"       | 49/50"           | \$10.09       |
| D-105 W1                     | 96 - 106              | 3 13/16"-4 3/16" | 49/50"           | \$10.20       |
| D-110 W1                     | 101 - 111             | 4"-4 3/8"        | 49/50"           | \$10.41       |
| D-115 W1                     | 106 - 116             | 4 3/16"-4 9/16"  | 49/50"           | \$10.53       |
| D-120 W1                     | 111 - 121             | 4 3/8"-4 3/4"    | 49/50"           | \$10.73       |
| D-125 W1                     | 116 - 126             | 4 9/16"-4 15/16" | 49/50"           | \$10.84       |
| D-130 W1                     | 121 - 131             | 4 3/4"-5 1/8"    | 49/50"           | \$10.95       |
| D-135 W1                     | 126 - 136             | 4 15/16"-5 3/8"  | 49/50"           | \$11.05       |
| D-140 W1                     | 131 - 141             | 5 1/8"-5 9/16"   | 49/50"           | \$11.15       |
| D-145 W1                     | 136 - 146             | 5 3/8"-5 3/4"    | 49/50"           | \$11.59       |
| D-150 W1                     | 141 - 151             | 5 9/16"-5 15/16" | 49/50"           | \$11.69       |
| D-155 W1                     | 146 - 156             | 5 3/4"-6 1/8"    | 49/50"           | \$11.79       |
| D-160 W1                     | 151 - 161             | 5 15/16"-6 5/16" | 49/50"           | \$11.90       |
| D-165 W1                     | 156 - 166             | 6 1/8"-6 9/16"   | 49/50"           | \$12.11       |
| D-170 W1                     | 161 - 171             | 6 5/16"-6 3/4"   | 49/50"           | \$12.33       |
| D-175 W1                     | 166 - 176             | 6 9/16"-6 15/16" | 49/50"           | \$12.42       |
| D-180 W1                     | 171 - 181             | 6 3/4"-7 1/8"    | 49/50"           | \$12.54       |
| D-185 W1                     | 176 - 186             | 6 15/16"-7 5/16" | 49/50"           | \$12.54       |
| D-190 W1                     | 181 - 191             | 7 1/8"-7 1/2"    | 49/50"           | \$12.63       |
| D-195 W1                     | 186 - 196             | 7 5/16"-7 11/16" | 49/50"           | \$12.75       |
| D-200 W1                     | 191 - 201             | 7 1/2"-7 15/16"  | 49/50"           | \$12.75       |
| D-210 W1                     | 201 - 211             | 7 15/16"-8 5/16" | 49/50"           | \$12.85       |
| D-220 W1                     | 211 - 221             | 8 5/16"-8 11/16" | 49/50"           | \$12.96       |
| D-230 W1                     | 221 - 231             | 8 11/16"-9 1/16" | 49/50"           | \$12.96       |



# ACCESSORIES

## SPIRAL CLAMP & WHIPCHECK



### Spiral Clamp:

**Construction:** Available in Trivalent Plating. Available for clockwise and anti clockwise spirals.

**Feature:** Total 360 degree vacuum seal. Single clamp provides adequate. Torque to replace 2 conventional clamps on spiral hoses. Clamp is reusable; often referred to as a lifetime heavy duty clamp.

**Application:** Ideal for convoluted hoses used in fluid and chemical transfer, food and syrup handling, water suction and discharge, vacuum lines, slurry handling, etc.

| MOD                                     | SIZE      | FITS HOSES | LIST PRICE |
|---|-----------|------------|------------|
|   |           | in         | \$         |
| <b>Spiral Clamp - Trivalent Plating</b> |           |            |            |
| PC-37C                                  | 37 - 50   | 1 1/2"     | \$11.05    |
| PC-50C                                  | 50 - 65   | 2"         | \$12.85    |
| PC-65C                                  | 65 - 75   | 2 1/2"     | \$14.76    |
| PC-75C                                  | 75 - 90   | 3"         | \$18.38    |
| PC-100C                                 | 100 - 115 | 4"         | \$22.09    |
| PC-125C                                 | 125 - 143 | 5"         | \$29.43    |
| PC-150C                                 | 150 - 167 | 6"         | \$32.40    |
| PC-200C                                 | 200 - 230 | 8"         | \$44.19    |
| PC-250C                                 | 250 - 285 | 10"        | \$58.97    |
| PC-300C                                 | 300 - 340 | 12"        | \$73.73    |



### Whipcheck:

A pressurized air hose in case of hose failure or accidental uncoupling could cause the hose assembly to whip violently due to the sudden release of energy. This could make the whipping hose lethal and create a potentially dangerous situation. In such a scenario Superex whipchecks ensure safety from injury and property damage. Whipchecks are safety cables made to corrosion resistant, high strength steel, which on installation divert strain from the coupling to the whipcheck. Installation of whipchecks is easy and requires no tools- the spring loaded loops of the whipchecks are opened and slipped over each hose providing a firm grip on the hose and avoiding it from whipping in case of accidents.

**Application:** Whipchecks are commonly used on hose for air, water blast, drilling, steam, concrete, sandblast or other high pressure applications.

| MOD                             | WIRE DIAMETER | FITS HOSES     | LIST PRICE |
|---------------------------------|---------------|----------------|------------|
|                                 | in            | in             | \$         |
| <b>Whipcheck - Hose to Hose</b> |               |                |            |
| WH3                             | 1/8"          | 1/2" to 1 1/4" | \$7.97     |
| WH5                             | 3/16"         | 1/2" to 2"     | \$19.87    |
| WH6                             | 1/4"          | 1 1/2" to 3"   | \$21.67    |
| WH10                            | 3/8"          | 4"             | \$86.68    |
| <b>Whipcheck - Hose to Tool</b> |               |                |            |
| WT3                             | 1/8"          | 1/2" to 1 1/4" | \$7.22     |
| WT5                             | 3/16"         | 1/2" to 2"     | \$18.07    |
| WT6                             | 1/4"          | 1 1/2" to 3"   | \$19.87    |







# A.R. BLUE CLEAN

BC111HS  
BC142HS  
BC383HS  
BC383HSS  
BC390HSS  
BC2N1HSS  
BCXP22000  
BCXP22300P

BM2300  
BM3000  
BMXP32300  
BMXP32700P  
AR610  
AR620  
AR630  
AR630TSS

AR630-HOT  
AR630TSS-HOT  
AR613K  
AR675  
AR675K  
AR610-PRO  
AR630TSS-PRO  
AR630TSSC-PRO  
RCA-PRO



## **A.R. BLUE CLEAN**

*The Cleaning Division, with its many brands and prestige licenses, is particularly important within the Annovi Reverberi world.*

*Over the years, this division has successfully grown, consolidated, and built high pressure washers constantly up-to-date with the latest developments and, above all, the market's demands.*

*Through strategic marketing, the know-how acquired by the technical side and thorough, accurate production management, the Cleaning Division has been quick to identify and respond to the market's transformations and changes, offering solutions that are always in line with the times, with all the AR brand's outstanding quality.*



### Equipped With

- Trigger gun with safety lock system
- 15° QC spray nozzle
- On unit accessory storage
- 20' super soft HP hose with strap and dedicated storage hook
- 35' Power cord with auto reset GFCI
- High pressure foam cannon
- Garden Hose Adapter included
- 3 Axial stainless steel pistons wobble plate pump with aluminum head
- Tempered stainless steel pistons
- Total Stop System
- Motor thermal protector

## BC 111 HS

| MOD | DESCRIPTION |  MAX |  MAX |  |  |  |  NET | SUGGESTED RETAIL PRICE |
|-----|-------------|--|---|---|---|---|---|------------------------|
|     |             | psi  | gpm   | amp   | hz  | v   | lbs   | \$                     |

### BC 111 HS

UPC: 1 92216 14974 8

|         |                 |       |     |      |    |     |      |          |
|---------|-----------------|-------|-----|------|----|-----|------|----------|
| BC111HS | Pressure Washer | 1,600 | 1.7 | 12.5 | 60 | 120 | 16.3 | \$149.00 |
|---------|-----------------|-------|-----|------|----|-----|------|----------|

### Standard Accessories

|           |                           |  |  |  |  |  |  |         |
|-----------|---------------------------|--|--|--|--|--|--|---------|
| PW4381488 | Spray Gun                 |  |  |  |  |  |  | \$15.95 |
| PW4620275 | Foam Cannon               |  |  |  |  |  |  | \$17.95 |
| PW4222190 | HP Hose Black Replacement |  |  |  |  |  |  | \$21.95 |
| PW4222470 | Lance                     |  |  |  |  |  |  | \$12.95 |
| PW4222590 | QC spray nozzle 15°       |  |  |  |  |  |  | \$3.95  |
| PW4221570 | Garden hose adapter       |  |  |  |  |  |  | \$7.95  |



### Equipped With

- Trigger gun with safety lock system
- 15° QC spray nozzle
- On unit accessory storage
- 20' super soft HP hose with strap and dedicated storage hook
- 35' Power cord with auto reset GFCI
- High pressure foam cannon
- Two wheel trolley / Wheels 4.7"
- Garden Hose Adapter included
- 3 Axial stainless steel pistons wobble plate pump with aluminum
- Total Stop System
- Motor thermal protector

## BC 142 HS

| MOD | DESCRIPTION |  MAX |  MAX |  |  |  |  NET | SUGGESTED RETAIL PRICE |
|-----|-------------|--|---|---|---|---|---|------------------------|
|     |             | psi  | gpm   | amp   | hz  | v   | lbs   | \$                     |

### BC 142 HS

UPC: 1 92216 14975 5

|         |                 |       |     |    |    |     |      |          |
|---------|-----------------|-------|-----|----|----|-----|------|----------|
| BC142HS | Pressure Washer | 1,700 | 1.7 | 11 | 60 | 120 | 18.3 | \$159.00 |
|---------|-----------------|-------|-----|----|----|-----|------|----------|

### Standard Accessories

|           |                             |  |  |  |  |  |  |         |
|-----------|-----------------------------|--|--|--|--|--|--|---------|
| PW4381488 | Spray Gun                   |  |  |  |  |  |  | \$15.95 |
| PW4620275 | Foam Cannon                 |  |  |  |  |  |  | \$17.95 |
| PW4222190 | HP Hose Black (Replacement) |  |  |  |  |  |  | \$21.95 |
| PW4222470 | Lance                       |  |  |  |  |  |  | \$12.95 |
| PW4222600 | QC spray nozzle 15°         |  |  |  |  |  |  | \$3.95  |
| PW4221570 | Garden hose adapter         |  |  |  |  |  |  | \$7.95  |



# BLUE CLEAN

## PRESSURE WASHERS



### Equipped With

- Two wheel trolley with telescopic handle and soft grip / Wheels Ø 5.9"
- Trigger gun with safety lock system
- 15° QC spray nozzle
- QC turbo nozzle
- On unit accessory storage
- 20' super soft HP hose with strap and dedicated storage hook

- High pressure foam cannon
- 35' Power cord with auto reset GFCI
- Garden Hose Adapter included
- 3 Axial stainless steel pistons wobble plate pump with aluminum head
- Tempered stainless steel pistons
- Total Stop System
- Motor thermal protector

## BC 383 HS

| MOD | DESCRIPTION |  MAX |  MAX |  |  |  |  NET | SUGGESTED RETAIL PRICE |
|-----|-------------|---|---|---|---|---|---|------------------------|
|     |             | psi   | gpm   | amp   | hz  | v   | lbs   | \$                     |

### BC 383 HS

UPC: 1 92216 14977 9

|         |                 |       |     |    |    |     |      |          |
|---------|-----------------|-------|-----|----|----|-----|------|----------|
| BC383HS | Pressure Washer | 2,000 | 1.7 | 13 | 60 | 120 | 24.5 | \$219.00 |
|---------|-----------------|-------|-----|----|----|-----|------|----------|

### Standard Accessories

|           |                                 |  |  |  |  |  |  |         |
|-----------|---------------------------------|--|--|--|--|--|--|---------|
| PW4381488 | Spray Gun                       |  |  |  |  |  |  | \$20.95 |
| PW4620260 | Foam Cannon                     |  |  |  |  |  |  | \$17.95 |
| PW4222220 | 25' HP Hose Black (Replacement) |  |  |  |  |  |  | \$28.95 |
| PW4222470 | Lance                           |  |  |  |  |  |  | \$12.95 |
| PW4222590 | QC spray nozzle 15°             |  |  |  |  |  |  | \$3.95  |
| PW4222750 | Turbo Nozzle                    |  |  |  |  |  |  | \$3.95  |
| PW4221570 | Garden hose adapter             |  |  |  |  |  |  | \$7.95  |



### Equipped With

- Two wheel trolley with telescopic handle and soft grip / Wheels Ø 5.9"
- Metal trigger gun with safety lock system and nozzle holder
- 15°/25° QC spray nozzles
- QC turbo nozzle
- On unit accessory storage

- 25' super soft HP hose with strap and dedicated storage hook
- High pressure foam cannon
- 35' Power cord with auto reset GFCI
- Garden Hose Adapter included
- 3 Axial stainless steel pistons wobble plate pump with aluminum head
- Tempered stainless steel pistons
- Total Stop System
- Motor thermal protector

## BC 383 HSS

| MOD | DESCRIPTION |  MAX |  MAX |  |  |  |  NET | SUGGESTED RETAIL PRICE |
|-----|-------------|---|---|---|---|---|---|------------------------|
|     |             | psi   | gpm   | amp   | hz  | v   | lbs   | \$                     |

### BC 383 HSS

UPC: 1 92216 14978 6

|          |                 |       |     |    |    |     |      |          |
|----------|-----------------|-------|-----|----|----|-----|------|----------|
| BC383HSS | Pressure Washer | 2,150 | 1.6 | 13 | 60 | 120 | 27.3 | \$249.00 |
|----------|-----------------|-------|-----|----|----|-----|------|----------|

### Standard Accessories







|           |                                 |  |  |  |  |  |  |         |
|-----------|---------------------------------|--|--|--|--|--|--|---------|
| PW4221762 | Spray Gun                       |  |  |  |  |  |  | \$26.95 |
| PW4620594 | Foam Cannon                     |  |  |  |  |  |  | \$17.95 |
| PW4222220 | 25' HP Hose Black (Replacement) |  |  |  |  |  |  | \$28.95 |
| PW3400960 | Lance                           |  |  |  |  |  |  | \$14.95 |
| PW4222610 | QC spray nozzle 15°             |  |  |  |  |  |  | \$3.95  |
| PW4222620 | QC spray nozzle 25°             |  |  |  |  |  |  | \$3.95  |
| PW4222790 | Turbo Nozzle                    |  |  |  |  |  |  | \$21.95 |
| PW4221570 | Garden hose adapter             |  |  |  |  |  |  | \$7.95  |



### Equipped With

- Two wheel trolley with soft grip handle and integrated hose reel / Wheels Ø 7"
- Trigger gun with safety lock system
- 15°/25°/Soap QC spray nozzles
- QC turbo nozzle
- On unit accessory storage
- 25' super soft HP hose
- Integrated detergent tank / 48 oz
- 35' Power cord with auto reset GFCI
- Garden Hose Adapter included
- 3 Axial stainless steel pistons wobble plate pump with aluminum head
- Tempered stainless steel pistons
- Total Stop System
- Motor thermal protector

## BC 390 HSS







| MOD                         | DESCRIPTION                     |  MAX |  MAX |  |  |  |  NET | SUGGESTED RETAIL PRICE |
|-----------------------------|---------------------------------|--|---|---|---|---|---|------------------------|
|                             |                                 | psi  | gpm   | amp   | hz  | v   | lbs   | \$                     |
| <b>BC 390 HSS</b>           |                                 |  |   |   |   |   |   |                        |
| UPC: 1 92216 14979 3        |                                 |  |   |   |   |   |   |                        |
| BC390HSS                    | Pressure Washer                 | 2,300  | 1.7   | 13  | 60  | 120   | 32.4  | \$299.00               |
| <b>Standard Accessories</b> |                                 |  |   |   |   |   |   |                        |
| PW4221762                   | Spray Gun                       |  |   |   |   |   |   | \$26.95                |
| PW3400960                   | Lance                           |  |   |   |   |   |   | \$14.95                |
| PW4221480                   | 30' HP Hose Black (Replacement) |  |   |   |   |   |   | \$28.95                |
| PW4221470                   | Soap spray nozzle               |  |   |   |   |   |   | \$3.95                 |
| PW4222760                   | QC spray nozzle 15°             |  |   |   |   |   |   | \$3.95                 |
| PW4222770                   | QC spray nozzle 25°             |  |   |   |   |   |   | \$3.95                 |
| PW4222800                   | Turbo Nozzle                    |  |   |   |   |   |   | \$21.95                |
| PW4221570                   | Garden hose adapter             |  |   |   |   |   |   | \$7.95                 |



### Equipped With

- Two wheel metal trolley with soft grip handle and portable unit quick release system / Wheels Ø 8"
- Metal trigger gun with safety lock and steel lance with quick connector
- 15°/25° QC spray nozzles
- QC turbo nozzle
- On unit accessory storage
- 25' super soft HP hose with strap and dedicated storage hook
- High pressure foam cannon
- 35' Power cord with auto reset GFCI
- Garden Hose Adapter included
- 3 Axial stainless steel pistons wobble plate pump with aluminum head
- Tempered stainless steel pistons
- Total Stop System
- Motor thermal protector

## BC 2N1 HSS

| MOD                         | DESCRIPTION                     |  MAX |  MAX |  |  |  |  NET | SUGGESTED RETAIL PRICE |
|-----------------------------|---------------------------------|--|---|---|---|---|---|------------------------|
|                             |                                 | psi  | gpm   | amp   | hz  | v   | lbs   | \$                     |
| <b>BC 2N1 HSS</b>           |                                 |  |   |   |   |   |   |                        |
| UPC: 1 92216 14980 9        |                                 |  |   |   |   |   |   |                        |
| BC2N1HSS                    | Pressure Washer                 | 2,300  | 1.7   | 13  | 60  | 120   | 35.3  | \$299.00               |
| <b>Standard Accessories</b> |                                 |  |   |   |   |   |   |                        |
| PW4620425                   | Spray Gun                       |  |   |   |   |   |   | \$24.95                |
| PW4620260                   | Foam Cannon                     |  |   |   |   |   |   | \$19.95                |
| PW4222220                   | 25' HP Hose Black (Replacement) |  |   |   |   |   |   | \$28.95                |
| PW3400960                   | Lance                           |  |   |   |   |   |   | \$14.95                |
| PW4222630                   | QC spray nozzle 15°             |  |   |   |   |   |   | \$3.95                 |
| PW4222640                   | QC spray nozzle 25°             |  |   |   |   |   |   | \$3.95                 |
| PW4222800                   | Turbo Nozzle                    |  |   |   |   |   |   | \$21.95                |
| PW4221570                   | Garden hose adapter             |  |   |   |   |   |   | \$7.95                 |



# BLUE CLEAN

## PRESSURE WASHERS



### Equipped With

- Two wheel metal trolley with soft grip handle / Wheels Ø 8"
- Trigger gun with safety lock and extension wand with quick connect tip adapter
- 15° QC spray nozzle
- QC turbo nozzle
- On unit accessory storage
- 20' super soft HP hose with strap and dedicated storage hook
- High pressure foam cannon
- 35' Power cord with auto reset GFCI
- Garden Hose Adapter included
- 3 Axial stainless steel pistons wobble plate pump with aluminum head
- Tempered stainless steel pistons
- Total Stop System
- Motor thermal protector

## BC XP2 2000

| MOD | DESCRIPTION |  MAX |  MAX |  | hz | v |  NET | SUGGESTED RETAIL PRICE |
|-----|-------------|---|---|---|----|---|---|------------------------|
|     |             | psi   | gpm   | amp   | hz | v | lbs   | \$                     |

### BC XP2 2000

UPC: 1 92216 15222 9

|           |                 |       |     |    |    |     |      |          |
|-----------|-----------------|-------|-----|----|----|-----|------|----------|
| BCXP22000 | Pressure Washer | 2,000 | 1.7 | 13 | 60 | 120 | 28.7 | \$259.00 |
|-----------|-----------------|-------|-----|----|----|-----|------|----------|

### Standard Accessories

|           |                                 |  |  |  |  |  |  |         |
|-----------|---------------------------------|--|--|--|--|--|--|---------|
| PW4222401 | Spray Gun                       |  |  |  |  |  |  | \$20.95 |
| PW4620260 | Foam Cannon                     |  |  |  |  |  |  | \$19.95 |
| PW4222220 | 25' HP Hose Black (Replacement) |  |  |  |  |  |  | \$28.95 |
| PW4222470 | Lance                           |  |  |  |  |  |  | \$12.95 |
| PW4222750 | QC spray nozzle 15°             |  |  |  |  |  |  | \$3.95  |
| PW4222780 | Turbo Nozzle                    |  |  |  |  |  |  | \$21.95 |
| PW4221570 | Garden hose adapter             |  |  |  |  |  |  | \$7.95  |



### Equipped With

- Two wheel sturdy metal trolley with soft grip handle / Wheels Ø 8"
- Trigger gun with safety lock and metal lance with quick connector
- 15°/25° QC spray nozzles
- QC turbo nozzle
- On unit accessory storage
- 25' super soft HP hose with strap and dedicated storage hook
- High pressure foam cannon
- 35' Power cord with auto reset GFCI
- Garden Hose Adapter included
- 3 Axial stainless steel pistons wobble plate pump with aluminum head
- Tempered stainless steel pistons
- Total Stop System
- Motor thermal protector

## BC XP2 2300 P

| MOD | DESCRIPTION |  MAX |  MAX |  | hz | v |  NET | SUGGESTED RETAIL PRICE |
|-----|-------------|---|---|---|----|---|---|------------------------|
|     |             | psi   | gpm   | amp   | hz | v | lbs   | \$                     |

### BC XP2 2300 P

UPC: 1 92216 15223 6

|            |                 |       |     |    |    |     |      |          |
|------------|-----------------|-------|-----|----|----|-----|------|----------|
| BCXP22300P | Pressure Washer | 2,300 | 1.7 | 13 | 60 | 120 | 31.3 | \$279.00 |
|------------|-----------------|-------|-----|----|----|-----|------|----------|

### Standard Accessories

|           |                     |  |  |  |  |  |  |         |
|-----------|---------------------|--|--|--|--|--|--|---------|
| PW4221762 | Spray Gun           |  |  |  |  |  |  | \$26.95 |
| PW4620260 | Foam Cannon         |  |  |  |  |  |  | \$19.95 |
| PW4222220 | 25' HP Hose         |  |  |  |  |  |  | \$28.95 |
| PW3400960 | Lance               |  |  |  |  |  |  | \$14.95 |
| PW4222630 | QC spray nozzle 15° |  |  |  |  |  |  | \$3.95  |
| PW4222640 | QC spray nozzle 25° |  |  |  |  |  |  | \$3.95  |
| PW4222800 | Turbo Nozzle        |  |  |  |  |  |  | \$21.95 |





### Equipped With

- Two wheel metal trolley with soft grip handle and portable unit smart release system / Wheels Ø 8"
- Metal trigger gun with safety lock and metal lance with quick connector
- 15°/25° QC spray nozzles
- QC turbo nozzle
- On unit accessory storage
- 25' HP hose and dedicated storage hook
- High pressure foam cannon
- 35' Power cord with auto reset GFCI
- Garden Hose Adapter included
- 3 Axial stainless steel pistons wobble-plate pump with aluminum head
- Tempered stainless steel pistons
- Total Stop System
- Motor thermal protector

## BM 2300

| MOD | DESCRIPTION | MAX | MAX |     |    |   | NET | SUGGESTED RETAIL PRICE |
|-----|-------------|-----|-----|-----|----|---|-----|------------------------|
|     |             | psi | gpm | amp | hz | v | lbs | \$                     |

**BM2300**  
UPC: 1 92216 14981 6

|        |                 |       |     |    |    |     |      |          |
|--------|-----------------|-------|-----|----|----|-----|------|----------|
| BM2300 | Pressure Washer | 2,300 | 1.5 | 13 | 60 | 120 | 49.6 | \$369.00 |
|--------|-----------------|-------|-----|----|----|-----|------|----------|

### Standard Accessories

|           |                     |  |  |  |  |  |  |         |
|-----------|---------------------|--|--|--|--|--|--|---------|
| PW4620472 | Spray Gun           |  |  |  |  |  |  | \$26.95 |
| PW4620260 | Foam Cannon         |  |  |  |  |  |  | \$19.95 |
| PW4222220 | HP Hose             |  |  |  |  |  |  | \$28.95 |
| PW3400960 | Lance               |  |  |  |  |  |  | \$14.95 |
| PW4222650 | QC spray nozzle 15° |  |  |  |  |  |  | \$3.95  |
| PW4222660 | QC spray nozzle 25° |  |  |  |  |  |  | \$3.95  |
| PW4222790 | Turbo Nozzle        |  |  |  |  |  |  | \$21.95 |
| PW4221570 | Garden hose adapter |  |  |  |  |  |  | \$7.95  |



### Equipped With

- Two wheel sturdy metal trolley with soft grip handle / Wheels Ø 9.5"
- Metal trigger gun with safety lock and steel lance with quick connector
- 15°/25° QC spray nozzles
- QC turbo nozzle
- On unit accessory storage
- 25' braided HP hose and dedicated storage hook
- High pressure foam cannon
- 35' Power cord with auto reset GFCI
- Garden Hose Adapter included
- 3 Axial stainless steel pistons wobble plate pump with aluminum head
- Tempered stainless steel pistons
- Thermal relief valve
- Motor thermal protector

## BM 3000

| MOD | DESCRIPTION | MAX | MAX |     |    |   | NET | SUGGESTED RETAIL PRICE |
|-----|-------------|-----|-----|-----|----|---|-----|------------------------|
|     |             | psi | gpm | amp | hz | v | lbs | \$                     |

**BM 3000**  
UPC: 1 92216 14982 3

|        |                 |       |     |    |    |     |      |          |
|--------|-----------------|-------|-----|----|----|-----|------|----------|
| BM3000 | Pressure Washer | 3,000 | 1.3 | 15 | 60 | 120 | 61.9 | \$489.00 |
|--------|-----------------|-------|-----|----|----|-----|------|----------|

### Standard Accessories

|           |                     |  |  |  |  |  |  |         |
|-----------|---------------------|--|--|--|--|--|--|---------|
| PW4320472 | Spray Gun           |  |  |  |  |  |  | \$26.95 |
| PW4620260 | Foam Cannon         |  |  |  |  |  |  | \$19.95 |
| PW4222440 | HP Hose             |  |  |  |  |  |  | \$35.95 |
| PW4222460 | Lance               |  |  |  |  |  |  | \$16.95 |
| PW4222670 | QC spray nozzle 15° |  |  |  |  |  |  | \$3.95  |
| PW4222680 | QC spray nozzle 25° |  |  |  |  |  |  | \$3.95  |
| PW4222800 | Turbo Nozzle        |  |  |  |  |  |  | \$21.95 |
| PW4221570 | Garden hose adapter |  |  |  |  |  |  | \$7.95  |



# BLUE MAXX

## PRESSURE WASHERS




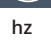




### Equipped With

- Two wheel metal trolley with soft grip handle/ Wheels Ø 9"
- Trigger gun with safety lock and metal lance with quick connector
- 15°/25° QC spray nozzles
- QC turbo nozzle
- On-unit accessory storage

- 25' super soft HP hose with strap and dedicated storage hook
- 25 oz high pressure foam cannon
- 35' Power cord with auto reset GFCI
- Built-in aluminum garden hose adapter
- 3 Axial stainless steel pistons wobble-plate pump with aluminum head
- Tempered stainless steel pistons
- Total Stop System
- Motor thermal protector

## BM XP3 2300

| MOD                         | DESCRIPTION         |  MAX |  MAX |  |  |  |  NET | SUGGESTED RETAIL PRICE |
|-----------------------------|---------------------|---|---|---|---|---|---|------------------------|
|                             |                     | psi   | gpm   | amp   | hz  | v   | lbs   | \$                     |
| <b>BM XP3 2300</b>          |                     |   |   |   |   |   |   |                        |
| UPC: 1 92216 15224 3        |                     |   |   |   |   |   |   |                        |
| BMXP32300                   | Pressure Washer     | 2,300   | 1.5   | 13  | 60  | 120   | 49.6  | \$379.00               |
| <b>Standard Accessories</b> |                     |   |   |   |   |   |   |                        |
| PW4221764                   | Spray Gun           |   |   |   |   |   |   | \$26.95                |
| PW4620260                   | Foam Cannon         |   |   |   |   |   |   | \$19.95                |
| PW4222220                   | HP Hose             |   |   |   |   |   |   | \$28.95                |
| PW4222950                   | Lance               |   |   |   |   |   |   | \$15.95                |
| PW4223020                   | QC spray nozzle 15° |   |   |   |   |   |   | \$3.95                 |
| PW4223030                   | QC spray nozzle 25° |   |   |   |   |   |   | \$3.95                 |
| PW4220790                   | Turbo Nozzle        |   |   |   |   |   |   | \$21.95                |
| PW4221570                   | Garden hose adapter |   |   |   |   |   |   | \$7.95                 |









### Equipped With

- Two wheel sturdy metal trolley with soft grip handle / Wheels Ø 9"
- Trigger gun with safety lock and metal lance with quick connector
- 15°/25° QC spray nozzles
- QC turbo nozzle
- On-unit accessory storage
- 25' braided HP hose with strap and dedicated storage hook

- High pressure foam cannon
- 35' Power cord with auto reset GFCI
- Built-in aluminum garden hose adapter
- 3 Axial stainless steel pistons wobble-plate pump with aluminum head
- Tempered stainless steel pistons
- Total Stop System
- Motor thermal protector

## BM XP3 2700 P

| MOD                         | DESCRIPTION         |  MAX |  MAX |  |  |  |  NET | SUGGESTED RETAIL PRICE |
|-----------------------------|---------------------|---|---|---|---|---|---|------------------------|
|                             |                     | psi   | gpm   | amp   | hz  | v   | lbs   | \$                     |
| <b>BC XP2 2300 P</b>        |                     |   |   |   |   |   |   |                        |
| UPC: 1 92216 15225 0        |                     |   |   |   |   |   |   |                        |
| BMXP32700P                  | Pressure Washer     | 2,700   | 1.3   | 15  | 60  | 120   | 49.8  | \$409.00               |
| <b>Standard Accessories</b> |                     |   |   |   |   |   |   |                        |
| PW4222960                   | Spray Gun           |   |   |   |   |   |   | \$26.95                |
| PW4620260                   | Foam Cannon         |   |   |   |   |   |   | \$19.95                |
| PW4222440                   | HP Hose             |   |   |   |   |   |   | \$28.95                |
| PW4222950                   | Lance               |   |   |   |   |   |   | \$15.95                |
| PW4223000                   | QC spray nozzle 15° |   |   |   |   |   |   | \$3.95                 |
| PW4223010                   | QC spray nozzle 25° |   |   |   |   |   |   | \$3.95                 |
| PW4222780                   | Turbo Nozzle        |   |   |   |   |   |   | \$21.95                |
| PW4221570                   | Garden hose adapter |   |   |   |   |   |   | \$7.95                 |



### Shipping Information

- 24 Pallet Quantity
- 47 lbs. Ship Weight
- 14 x 14 x 20 Ship Dimensions

### Equipped With

- Triplex pump with ceramic pistons and rod-crank system
- Pressure adjustment
- Detergent suction system
- Pressure gauge
- 35' Power cord with GFCI
- Single-phase induction motor with thermal protection
- 25' braided high pressure hose
- Professional trigger gun and metal lance with adjustable nozzle
- Vari-spray nozzle head



## AR610 Pro-Consumer

| MOD | DESCRIPTION |  MAX |  MAX |  |  NET | SUGGESTED RETAIL PRICE |
|-----|-------------|---|---|---|---|------------------------|
|     |             | psi   | gpm   | amp   | hz v  | lbs \$                 |

### AR610 - Pro-Consumer

UPC: 1 92216 12790 6

|       |                 |       |     |    |        |    |          |
|-------|-----------------|-------|-----|----|--------|----|----------|
| AR610 | Pressure Washer | 1,350 | 1.9 | 15 | 60 120 | 47 | \$689.00 |
|-------|-----------------|-------|-----|----|--------|----|----------|

### Standard Accessories

|           |   |  |  |  |  |  |         |
|-----------|---|--|--|--|--|--|---------|
| PW2551630 | High Pressure Hose  |  |  |  |  |  | \$49.95 |
| PW13-3/8  | Spray Gun   |  |  |  |  |  | \$29.95 |
| PW236-1.3 | Vari-Spray Lance  |  |  |  |  |  | \$29.95 |
| PW2605B   | Garden Hose Adapter Brass Swivel Cone Filter - 3/4" F Inlet x 3/4" F Outlet |  |  |  |  |  | \$12.95 |



### Shipping Information

- 24 Pallet Quantity
- 65 lbs. Ship Weight
- 14 x 14 x 20 Ship Dimensions

### Equipped With

- Triplex pump with ceramic pistons and rod-crank system
- Pressure adjustment
- Built-in detergent suction system
- Built-in pressure unloader
- Automatic safety valve with low pressure bypass
- Pressure gauge
- Single phase induction motor with thermal protection
- 25' braided high pressure hose
- Professional trigger gun and metal lance with adjustable nozzle
- 21.7' Power cord with GFCI
- Easy clean mesh-designed water filter for extended life
- Durable handle for portability



## AR620 Pro-Consumer

| MOD | DESCRIPTION |  MAX |  MAX |  |  NET | SUGGESTED RETAIL PRICE |
|-----|-------------|---|---|---|---|------------------------|
|     |             | psi   | gpm   | amp   | hz v  | lbs \$                 |

### AR620 - Pro-Consumer

UPC: 1 92216 12533 0

|       |                 |       |     |    |        |    |          |
|-------|-----------------|-------|-----|----|--------|----|----------|
| AR620 | Pressure Washer | 1,900 | 2.1 | 20 | 60 120 | 65 | \$809.00 |
|-------|-----------------|-------|-----|----|--------|----|----------|

### Standard Accessories

|            |   |  |  |  |  |  |         |
|------------|---|--|--|--|--|--|---------|
| PW2551630  | High Pressure Hose  |  |  |  |  |  | \$49.95 |
| PW13-3/8   | Spray Gun   |  |  |  |  |  | \$29.95 |
| PW236-1.25 | Vari-Spray Lance  |  |  |  |  |  | \$29.95 |
| PW1264750  | Garden Hose Adapter Brass Swivel Cone Filter - 3/4" F Inlet x 1/2" F Outlet |  |  |  |  |  | \$8.95  |



# BLUE CLEAN PRO

## PRESSURE WASHERS

AR630-TSS



### Shipping Information





- 24 Pallet Quantity
- 69 lbs. Ship Weight
- 14 x14 x 20 Ship Dimensions



### Equipped With

- Triplex pump with ceramic pistons and connecting rod system
- Brass Manifold
- Automatic safety by-pass valve with head pressure discharge
- Built-in pressure unloader
- Built-in detergent suction system
- Pressure gauge
- Single phase induction motor with thermal protection
- 25' braided high pressure hose
- Professional trigger gun, with M22 threaded gun connection protector
- 18" Extension Lance, with Vari-Spray Nozzle (0 to 50 Degrees)
- 35' Power cord with GFCI with auto reset
- Garden hose adapter
- Total Stop System for TSS models
- **AR630HOT and AR630TSS-HOT do not produce hot water, they tolerate up to 180°F (82°C)**

## AR630/TSS/HOT Pro-Consumer

| MOD   | UPC   | DESCRIPTION                       |  MAX |  MAX |  |  |  |  NET | SUGGESTED RETAIL PRICE |
|---|---|-----------------------------------|---|---|---|---|---|---|------------------------|
|   |   |                                   | psi   | gpm   | amp   | hz  | v   | lbs   | \$                     |
| <b>AR630   AR630-TSS   AR630-HOT   AR630-TSS-HOT - Pro-Consumer</b> |   |                                   |   |   |   |   |   |   |                        |
| AR630   | 1 92216 12670 1   | Pressure Washer                   | 1,900   | 2.1   | 20  | 60  | 120   | 65  | \$859.00               |
| AR630-TSS   | 1 92216 13314 3   | Pressure Washer w/TSS             | 1,900   | 2.1   | 20  | 60  | 120   | 67  | \$899.00               |
| AR630-HOT   | 1 92216 12924 5   | Pressure Washer 180° F Inlet Temp | 1,900   | 2.1   | 20  | 60  | 120   | 65  | \$929.00               |
| AR630-TSS-HOT   | 1 92216 13745 5   | Pressure Washer w/TSS 180° F Temp | 1,900   | 2.1   | 20  | 60  | 120   | 65  | \$949.00               |
| <b>Standard Accessories</b>   |   |                                   |   |   |   |   |   |   |                        |
| PW2551630   | High Pressure Hose  |                                   |   |   |   |   |   |   | \$49.95                |
| PW13-3/8  | Spray Gun   |                                   |   |   |   |   |   |   | \$29.95                |
| PW236-1.25  | Vari-Spray Lance  |                                   |   |   |   |   |   |   | \$29.95                |
| PW3051635   | High Pressure Hose 30' (AR630-Hot)  |                                   |   |   |   |   |   |   | \$79.95                |
| PW925-MV70  | Spray Gun (AR630-Hot)   |                                   |   |   |   |   |   |   | \$49.95                |
| PW2605B   | Garden Hose Adapter Brass Swivel Cone Filter - 3/4" F Inlet x 3/4" F Outlet (TSS Units) |                                   |   |   |   |   |   |   | \$12.95                |
| PW1264750   | Garden Hose Adapter Brass Swivel Cone Filter - 3/4" F Inlet x 1/2" F Outlet             |                                   |   |   |   |   |   |   | \$8.95                 |



### Shipping Information





- 12 Pallet Quantity
- 65 lbs. Ship Weight
- 19.5 x 19.5 x 24 Ship Dimensions



### Equipped With

- Two wheel sturdy metal trolley
- Professional trigger gun and metal lance with adjustable nozzle
- Built-in accessory holders
- 35' power cord with GFCI
- Built-in detergent suction
- 25' steel armed HP hose with velcro strap and dedicated storage hook
- Garden hose adapter included
- Triplex pump with ceramic pistons and connecting rod system
- Automatic by-pass valve with pump head pressure discharge
- Brass pump head
- Total Stop System
- Single-phase induction motor with thermal protection
- Pressure adjustment
- Pressure gauge
- Inspectable water filter

## AR613K Pro-Consumer

| MOD                          | UPC             | DESCRIPTION   |  MAX |  MAX |  |  NET | SUGGESTED RETAIL PRICE |     |          |
|------------------------------|-----------------|---|---|---|---|---|------------------------|-----|----------|
|                              |                 |   | psi   | gpm   | amp   | hz  | v                      | lbs | \$       |
| <b>AR613K - Pro-Consumer</b> |                 |   |   |   |   |   |                        |     |          |
| AR613K                       | 1 92216 13976 3 | Pressure Washer   | 1,900   | 2.2   | 20  | 60  | 115                    | 65  | \$879.00 |
| <b>Standard Accessories</b>  |                 |   |   |   |   |   |                        |     |          |
| PW2551630                    |                 | High Pressure Hose 25'  |   |   |   |   |                        |     | \$49.95  |
| PW13-3/8                     |                 | Spray Gun   |   |   |   |   |                        |     | \$29.95  |
| PW3005890                    |                 | Adjustable Spray Nozzle Lance with 1.25 orifice                             |   |   |   |   |                        |     | \$19.95  |
| PW2605B                      |                 | Garden Hose Adapter Brass Swivel Cone Filter - 3/4" F Inlet x 3/4" F Outlet |   |   |   |   |                        |     | \$12.95  |









### Shipping Information

- 24 Pallet Quantity
- 47 lbs. Ship Weight
- 18 x 11 x 10 Ship Dimensions

### Equipped With

- Professional trigger gun and metal lance with adjustable nozzle
- Built-in accessories holder
- 20' power cord with GFCI
- 25' steel armed HP hose with velcro strap
- Garden hose adapter included
- Triplex pump with ceramic pistons and connecting rod system
- Automatic by-pass valve with pump head pressure discharge
- Brass pump head
- Total Stop System
- Single-phase induction motor with thermal protection
- Pressure adjustment
- Pressure gauge
- Built-in detergent suction
- Inspectable water filter

## AR675 Pro-Consumer

| MOD                         | DESCRIPTION   | MAX   | MAX |     |    |     | NET | SUGGESTED RETAIL PRICE |
|-----------------------------|---|-------|-----|-----|----|-----|-----|------------------------|
|                             |   | psi   | gpm | amp | hz | v   | lbs | \$                     |
| <b>AR675 - Pro-Consumer</b> |   |       |     |     |    |     |     |                        |
| UPC: 1 92216 27701 4        |   |       |     |     |    |     |     |                        |
| AR675                       | Pressure Washer   | 2,000 | 1.7 | 15  | 60 | 120 | 49  | \$819.00               |
| <b>Standard Accessories</b> |   |       |     |     |    |     |     |                        |
| PW2551630                   | High Pressure Hose 25'  |       |     |     |    |     |     | \$49.95                |
| PW13-3/8                    | Spray Gun   |       |     |     |    |     |     | \$29.95                |
| PW3005890                   | Adjustable Spray Nozzle Lance with 1.25 orifice                             |       |     |     |    |     |     | \$19.95                |
| PW2605B                     | Garden Hose Adapter Brass Swivel Cone Filter - 3/4" F Inlet x 3/4" F Outlet |       |     |     |    |     |     | \$12.95                |



### Shipping Information

- 12 Pallet Quantity
- 65 lbs. Ship Weight
- 19.5 x 19.5 x 24 Ship Dimensions

### Equipped With

- Two wheel sturdy metal trolley
- Professional trigger gun and metal lance with adjustable nozzle
- Built-in accessories holder
- 35' power cord with GFCI
- 25' steel armed HP hose with velcro strap
- Garden hose adapter included
- Triplex pump with ceramic pistons and connecting rod system
- Automatic by-pass valve with pump head pressure discharge
- Brass pump head
- Total Stop System
- Single-phase induction motor with thermal protection
- Pressure adjustment
- Pressure gauge
- Built-in detergent suction
- Inspectable water filter

## AR675K Pro-Consumer

| MOD                          | DESCRIPTION   | MAX   | MAX |     |    |     | NET | SUGGESTED RETAIL PRICE |
|------------------------------|---|-------|-----|-----|----|-----|-----|------------------------|
|                              |   | psi   | gpm | amp | hz | v   | lbs | \$                     |
| <b>AR675K - Pro-Consumer</b> |   |       |     |     |    |     |     |                        |
| UPC: 1 92216 27732 8         |   |       |     |     |    |     |     |                        |
| AR675K                       | Pressure Washer   | 2,000 | 1.7 | 15  | 60 | 120 | 67  | \$949.00               |
| <b>Standard Accessories</b>  |   |       |     |     |    |     |     |                        |
| PW2551630                    | High Pressure Hose 25'  |       |     |     |    |     |     | \$49.95                |
| PW13-3/8                     | Spray Gun   |       |     |     |    |     |     | \$29.95                |
| PW3005890                    | Adjustable Spray Nozzle Lance with 1.25 orifice                             |       |     |     |    |     |     | \$19.95                |
| PW2605B                      | Garden Hose Adapter Brass Swivel Cone Filter - 3/4" F Inlet x 3/4" F Outlet |       |     |     |    |     |     | \$12.95                |



# BC PRO KITS

## PRESSURE WASHER KITS



### Accessories Included



### Shipping Information

- 80lbs Ship Weight
- 24" x 16" x 18" Ship Dimensions

### Equipped With

- Metal powder coated frame
- Top mounted 50' hose reel
- Wall mount bracket
- Rubber mounted bottom feet
- AR610 pressure washer
  - » Triplex plunger pump
  - » Integrated unloader
  - » Glycerin filled pressure gauge for pressure adjustments
  - » Integrated detergent suction system

## AR610-PRO

| MOD | DESCRIPTION | MAX | MAX |     | hz | v | NET | SUGGESTED RETAIL PRICE |
|-----|-------------|-----|-----|-----|----|---|-----|------------------------|
|     |             | psi | gpm | amp |    |   | lbs | \$                     |

### AR610 Pro Kit

UPC: 192216927902

|           |                |       |     |    |    |     |   |            |
|-----------|----------------|-------|-----|----|----|-----|---|------------|
| AR610-PRO | AR610 w/ Frame | 1,350 | 1.9 | 15 | 60 | 120 | - | \$1,229.00 |
|-----------|----------------|-------|-----|----|----|-----|---|------------|

### Standard Accessories

|             |                                  |  |  |  |  |  |  |         |
|-------------|----------------------------------|--|--|--|--|--|--|---------|
| PWAL13-3/8  | Trigger Gun                      |  |  |  |  |  |  | \$30.95 |
| PW646201121 | 50' Uber Flex High Pressure Hose |  |  |  |  |  |  | \$75.00 |
| PWAL236-1.3 | 12" Vari-spray Lance             |  |  |  |  |  |  | \$34.95 |
| PWD20304    | 18" Turbo Nozzle Lance           |  |  |  |  |  |  | \$54.95 |
| PW5703      | 50' Hose Reel                    |  |  |  |  |  |  | \$79.00 |



### Accessories Included



### Shipping Information

- 120lbs Ship Weight
- 28 5/8" x 22 1/8" x 21 3/4" Ship Dimensions

### Equipped With

- 4 ball bearing swivel casters
- Wall mount bracket
- Powder coated square tubular frame
- Built-in 50' hose reel
- Storage bracket for power chord
- Spray gun with QC adapters
- Stainless Steel adapters and couplers
- 4 Nozzles: 15° (SS), 25° (SS), 40° (SS), Soap (brass)
- Stainless Steel Lance with nozzle holder
- 34 oz. Foam Cannon w/detergent adjustment knob and variable spray angles
- AR630TSS pressure washer
  - » Triplex plunger pump
  - » Forged brass pump head
  - » Integrated detergent suction system
  - » Total Stop System

## AR630TSS-PRO

| MOD | DESCRIPTION | MAX | MAX |     | hz | v | NET | SUGGESTED RETAIL PRICE |
|-----|-------------|-----|-----|-----|----|---|-----|------------------------|
|     |             | psi | gpm | amp |    |   | lbs | \$                     |

### AR630TSS Pro Kit

UPC: 192216833142

|              |                   |       |     |    |    |     |   |            |
|--------------|-------------------|-------|-----|----|----|-----|---|------------|
| AR630TSS-PRO | AR630TSS w/ Frame | 1,900 | 2.1 | 20 | 60 | 120 | - | \$1,659.00 |
|--------------|-------------------|-------|-----|----|----|-----|---|------------|

### Standard Accessories

|               |   |  |  |  |  |  |  |         |
|---------------|---|--|--|--|--|--|--|---------|
| PWMV925N-PRO  | Trigger Gun with QC Adapters                                  |  |  |  |  |  |  | \$59.00 |
| PW646201121   | 50' Uber Flex High Pressure Hose                              |  |  |  |  |  |  | \$75.00 |
| SF40-27-PRO   | 27" Lance 1/4 M BSP x V4 M BS with Nozzle Holder              |  |  |  |  |  |  | \$39.95 |
| PWNZQC4P-035A | 4 Pack of Nozzles: 15° (SS), 25° (SS), 40° (SS), Soap (Brass) |  |  |  |  |  |  | \$29.95 |
| PW5701        | 50' Hose Reel   |  |  |  |  |  |  | \$79.00 |
| PWPF22.2      | 34 oz. Foam Cannon with Detergent Adjustment Knob             |  |  |  |  |  |  | \$89.00 |

# BC PRO KITS

## PRESSURE WASHER KITS



### Accessories Included



### Shipping Information

- 66lbs Pump Ship Weight
- 62lbs Cart Ship Weight
- 20" x 14" x 14" Pump Box Ship Dimensions
- 29 1/8" x 22.5" x 22.5" Cart Box Ship Dimensions

### Equipped With

- 2-wheel trolley cart
- Built-in 50' hose reel
- On unit accessory storage
- Spray gun and lance with integrated nozzle holder
- Rear back plate with nozzle holders
- 4 Nozzles: 15° (SS), 25° (SS), 40° (SS), Soap (brass)
- Rear storage hooks
- 34 oz. Foam Cannon w/detergent adjustment knob and variable spray angles
- AR630TSS pressure washer
  - » Triplex plunger pump
  - » Brass pump head
  - » Detergent suction system
  - » Total Stop System
  - » Built in pressure gauge
  - » Integrated unloader

## AR630TSSC-PRO

| MOD   | DESCRIPTION   | MAX<br>psi | MAX<br>gpm | amp | hz | v   | NET<br>lbs | SUGGESTED RETAIL PRICE<br>\$ |
|---|---|------------|------------|-----|----|-----|------------|------------------------------|
| <b>AR630TSSC Pro Kit</b><br>UPC: 192216927902 |   |            |            |     |    |     |            |                              |
| AR630TSSC-PRO                                 | AR630TSS w/ Cart  | 1,900      | 2.1        | 20  | 60 | 120 | -          | \$1,479.00                   |
| <b>Standard Accessories</b>                   |   |            |            |     |    |     |            |                              |
| PWMV925N-PRO                                  | Trigger Gun with QC Adapters                                  |            |            |     |    |     |            | \$59.00                      |
| PW646201121                                   | 50' Uber Flex High Pressure Hose                              |            |            |     |    |     |            | \$75.00                      |
| SF40-27-PRO                                   | 27" Lance 1/4 M BSP x 1/4 M BS with Nozzle Holder             |            |            |     |    |     |            | \$39.95                      |
| PWNZQC4P-035A                                 | 4 PACK OF NOZZLES - 15°(SS), 25° (SS), 40° (SS), Soap (Brass) |            |            |     |    |     |            | \$29.95                      |
| PW5701  | 50' Hose Reel   |            |            |     |    |     |            | \$79.00                      |
| PWPF22.2                                      | 34 oz. Foam Cannon with Detergent Adjustment Knob             |            |            |     |    |     |            | \$89.00                      |



### Accessories Included



### Equipped With

- RCA3G25E-F8 triplex pump direct drive
- Powered by 2 HP induction electric motor
- Steel, tubular powder coated frame
- Top mounted 50' hose reel
- Storage bracket for power chord
- 4 ball bearing casters
- Wall mount bracket
- Spray gun with QC adapters
- Stainless Steel adapters and couplers
- 4 Nozzles: 0° (SS), 15° (SS), 25° (SS), 40° (SS)
- Stainless Steel Lance with nozzle holder
- 34 oz. Foam Cannon w/detergent adjustment knob and variable spray angles

## RCA3-Pro

| MOD                                      | DESCRIPTION   | MAX<br>psi | MAX<br>gpm | amp | hz | v   | NET<br>lbs | SUGGESTED RETAIL PRICE<br>\$ |
|--|---|------------|------------|-----|----|-----|------------|------------------------------|
| <b>RCA3 Pro Kit</b><br>UPC: 192216985391 |   |            |            |     |    |     |            |                              |
| RCA3-PRO                                 | RCA Motor/Pump w/ Frame                                 | 1,350      | 3          | 18  | 60 | 115 | -          | \$1,779.00                   |
| <b>Standard Accessories</b>              |   |            |            |     |    |     |            |                              |
| PWMV925N-PRO                             | Trigger Gun with QC Adapters                            |            |            |     |    |     |            | \$59.00                      |
| PW646201121                              | 50' Uber Flex High Pressure Hose                        |            |            |     |    |     |            | \$75.00                      |
| SF40-27-PRO                              | 27" Lance 1/4 M BSP x 1/4 M BS with Nozzle Holder       |            |            |     |    |     |            | \$39.95                      |
| PWNZMQC4P-055                            | 4 PACK OF NOZZLES - 0°(SS), 15°(SS), 25° (SS), 40° (SS) |            |            |     |    |     |            | \$17.95                      |
| PW5701                                   | 50' Hose Reel   |            |            |     |    |     |            | \$79.00                      |
| PWPF22.1.7                               | 34 oz. Foam Cannon with Detergent Adjustment Knob       |            |            |     |    |     |            | \$89.00                      |



# ACCESSORIES

## GUNS



a



b



c



d



e



f



g

| MOD | UPC | SERIES | <br>MAX<br>psi | <br>MAX<br>gpm | INLET<br>mm | OUTLET<br>mm | LIST PRICE<br>\$ |
|-----|-----|--------|---|---|-------------|--------------|------------------|
|-----|-----|--------|---|---|-------------|--------------|------------------|

### Blue Clean Trigger & Spray Guns

|   |           |              |     |      |     |            |              |         |
|---|-----------|--------------|-----|------|-----|------------|--------------|---------|
| a | PW3082280 | 192216822801 | 100 | 1740 | 1.4 | 100 Series | Bayonet      | \$15.48 |
| b | PW4381488 | 192216814882 | 100 | 2320 | 1.7 | 100 Series | Bayonet      | \$15.95 |
| c | PW50968   | 192216509696 | 300 | 2000 | 1.7 | 300 Series | Bayonet      | \$15.95 |
| d | PW4221401 | 192216214019 | M22 | 2465 | 1.7 | M22 - 15mm | Bayonet      | \$20.95 |
| e | PW13-3/8  | 192216190610 | M22 | 3700 | 8   | 3/8" F     | M22 - 14mm M | \$29.95 |
| f | PW4620420 | 192216204201 | M22 | 2900 | 1.7 | M22 - 15mm | M22 - 14mm M | \$30.20 |
| g | PW4221761 | 192216217614 | M22 | 3045 | 1.7 | M22 - 15mm | M22 - 14mm M | \$32.62 |



a



b



c



d



e

| MOD | DESCRIPTION | <br>MAX<br>psi | <br>MAX<br>gpm | CONNECTION<br>lbs | MAX TEMP<br>° F | LIST PRICE<br>\$ |
|-----|-------------|--|---|-------------------|-----------------|------------------|
|-----|-------------|--|---|-------------------|-----------------|------------------|

### Foamer Kits

UPC: 1 92216 04270 4 | 1 92216 04260 5 | 1 92216 05940 5


|   |             |  |       |     |                 |        |          |
|---|-------------|--|-------|-----|-----------------|--------|----------|
| a | PW4620270   | 25 oz. Foam Cannon with Bayonet  | 3,000 | 1.7 | Bayonet Adapter | 140° F | \$17.95  |
| b | PW4620260-R | 25 oz. Foam Cannon with Quick Connect  | 3,000 | 1.7 | 1/4" QC Plug    | 140° F | \$19.95  |
| c | PW5940K     | 34 oz. Foamer Lance Kit w/3 Attachments: Blue Clean Adapter, 1/4" QC Plug, M22 Fitting - ONLY COMPATIBLE w/PRO PRESSURE WASHERS                            | 4,000 | 2.8 | 1/4" F Inlet    | 140° F | \$49.95  |
| d | FL803       | 34 oz. Foam Cannon. Nozzle Size: 3.5, 1.25 orifice.  | 2,900 | 4.8 | 1/4" F Inlet    | 140° F | \$104.69 |
| e | PF22.2      | 34 oz. Foam Cannon featuring Detergent Adjustment Knob and variable spray angles. 1/4" QC Plug, 1/4" M22 Fittings - ONLY COMPATIBLE w/PRO PRESSURE WASHERS | 5000  | 5.3 | 1/4" F Inlet    | 140° F | \$209.73 |





## EXTENSIONS & LANCES



| MOD                | UPC             | LENGTH        | <br>gpm | MAX TEMP<br>° F | LIST PRICE<br>\$ |
|--------------------|-----------------|---------------|--|-----------------|------------------|
| <b>Extensions</b>  |                 |               |  |                 |                  |
| <b>a</b> PW3082860 | 1 92216 82860 5 | 15" Extension | 10.5   | 302° F          | \$9.95           |
| <b>b</b> PW4222460 | 1 92216 22460 5 | 22" Extension | 10.5   | 302° F          | \$16.95          |



| MOD                              | UPC             | DESCRIPTION   | LIST PRICE<br>\$ |
|----------------------------------|-----------------|---|------------------|
| <b>Lance - with Turbo Nozzle</b> |                 |   |                  |
| <b>a</b> PW20304                 | 1 99216 20304 4 | Turbo Nozzle w/Lance for Pro Series Pressure Washers                | \$32.95          |
| <b>b</b> PW236-1.30              | 1 92216 02130 3 | Pro Variable Fan Spray Lance, high and low pressure. M22-1.5 Inlet. | \$29.95          |
| <b>Underbody Spray Wand</b>      |                 |   |                  |
| <b>c</b> PW40811                 | 1 92216 40811 1 | Underbody Lance for Blue Clean and Blue Maxx Pressure Washers       | \$25.95          |
| <b>d</b> PWMVUBL                 | 1 92216 01140 3 | Pro Underbody Lance (22mm Only) with 15° 3.5 nozzle                 | \$39.95          |
| <b>Gutter Cleaner</b>            |                 |   |                  |
| <b>e</b> PW5807                  | 1 92216 75807 0 | 12" in length. 1/4" Quick Connect Inlet. 1/4" Quick Connect Socket. | \$15.95          |



# ACCESSORIES

## ACCESSORY KITS



a



b



c

| MOD | UPC | DESCRIPTION | LIST PRICE |
|-----|-----|-------------|------------|
|-----|-----|-------------|------------|

\$

### Pro Kits

Kits for AR PRO units only.

|   |             |                 |  |          |
|---|-------------|-----------------|--|----------|
| a | PRO600-CCRT | 1 92216 00021 6 | Accessory kit for AR630, and AR675                         | \$629.95 |
| b | PRO610-ACC  | 1 92216 00022 3 | Accessory kit for AR610 and AR610-PRO                      | \$124.95 |
| c | PRO600-ACC  | 1 92216 00023 0 | Accessory kit for AR630TSS-PRO, AR630TSSC-PRO, and RCA-PRO | \$285.95 |



a



b



c



d

| MOD | UPC | DESCRIPTION | LIST PRICE |
|-----|-----|-------------|------------|
|-----|-----|-------------|------------|

\$

### Gun Kits

Perfect to replace or upgrade your pressure washer accessories, with models that fit various AR Blue Clean electric pressure washers.

|   |             |                 |  |          |
|---|-------------|-----------------|--|----------|
| a | PW909050K   | 1 92216 09100 9 | Electric PW 100 Series Replacement Kit - Series BC111HS, BC142, AR111S, AR112S, AR142S, AR144S, AR1500   | \$49.95  |
| b | PW909100K   | 1 92216 09300 3 | Universal Electric PW Gun Replacement Kit - Series BC111HS, BC142, BC383HS, BC383HSB, BC383HSS, BC2N1HSS, BCXP22000, BCXP22300P, BMXP32300, BM2300, AR2N1, AR383, AR383B | \$55.95  |
| c | PW909300K   | 1 92216 09050 7 | Pro Universal Electric PW Gun Replacement Kit - Series BC111HS, BC142HS, BC383HS, BC383HSB, BC383HSS, BC2N1HSS, BCXP22000, BCXP22300P, BMXP32300, BM2300, AR2N1          | \$89.95  |
| d | PRO600-ACCK | 1 92216 00020 9 | Pro 600 Series Accessory Kit - Series AR610, AR620, AR630(TSS/HOT/TSS-HOT), AR613, AR675   | \$395.95 |



## PATIO CLEANERS & BRUSHES



| MOD | DESCRIPTION | LIST PRICE |
|-----|-------------|------------|
|     |             | \$         |

### Patio Cleaners

UPC: 1 92216 40829 6 | 1 92216 41581 2

|           |   |         |
|-----------|---|---------|
| a PW40829 | 10" Patio Cleaner AR112 - AR388               | \$24.95 |
| b PW41581 | Twister Patio Cleaner Chemical w/22mm Adapter | \$49.95 |



| MOD | DESCRIPTION | LIST PRICE |
|-----|-------------|------------|
|     |             | \$         |

### Brushes

UPC: 1 92216 09202 0 | 1 92216 09203 7 | 1 92216 09102 3

|             |                             |         |
|-------------|-----------------------------|---------|
| a PW909202K | Fixed Brush Kit w/Adapters  | \$15.95 |
| b PW909203K | Rotary Brush Kit w/Adapters | \$21.95 |
| c PW909102K | Brush Kit w/Adapters        | \$35.95 |



# ACCESSORIES

## MOUNTS & CARTS



a



b

| MOD | UPC | EXTENSION HOSE | FITS UNITS | SHIPPING WEIGHT | SHIPPING DIMENSIONS | LIST PRICE |
|-----|-----|----------------|------------|-----------------|---------------------|------------|
|     |     | ft             |            | lbs             | in                  | \$         |

### BC2N1 Wall Mount Kit

Wall Mount. Hose Mount.

|   |             |                 |     |                  |      |                |         |
|---|-------------|-----------------|-----|------------------|------|----------------|---------|
| a | BC2N1-WMKIT | 1 92216 43493 7 | 25' | BC2N1HSS, BM2300 | 7.56 | 18.6x16.8x7.95 | \$49.95 |
|---|-------------|-----------------|-----|------------------|------|----------------|---------|

### AR600S Wall Mount Kit

Wall Mount. Hose Mount.

|   |              |                 |     |              |   |   |          |
|---|--------------|-----------------|-----|--------------|---|---|----------|
| b | PW600S-WMKIT | 1 92216 60000 3 | 25' | AR613, AR675 | - | - | \$125.95 |
|---|--------------|-----------------|-----|--------------|---|---|----------|



a



b

| MOD | UPC |  | DESCRIPTION | PLATFORM | RUBBER TIRES | LIST PRICE |
|-----|-----|---|-------------|----------|--------------|------------|
|     |     | hp  |             | in       | in           | \$         |

### Trolley/Cart

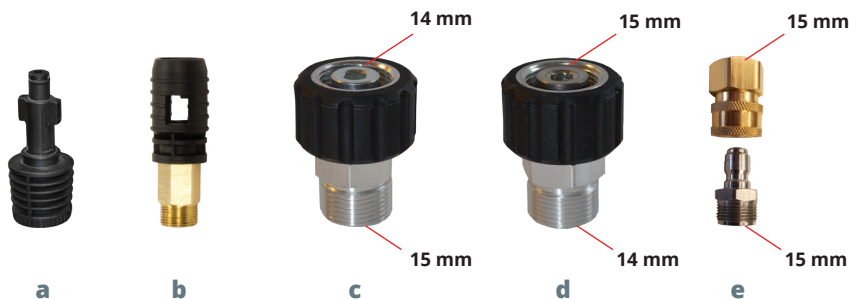
The A.R. Cart Assemblies simplify building of pressure washers. Check the needed size to fit the pump/motor combination used, then select the cart size that it will best fit on. Use the pre-drilled holes, or modify the cart for custom applications.

|   |           |                 |   |  |                   |     |          |
|---|-----------|-----------------|---|--|-------------------|-----|----------|
| a | PW600S-TK | 1 92216 60000 1 | - | For units AR613, AR675<br>18" L x 17" W x 31" H Overall Dimensions | 6.5" L x 11.50" W | 10" | \$119.95 |
|---|-----------|-----------------|---|--|-------------------|-----|----------|

|   |      |              |     |  |                     |     |          |
|---|------|--------------|-----|--|---------------------|-----|----------|
| b | 5950 | 1015.0101.00 | 6.5 | For units AR630, AMMO 630, AR675<br>31" L x 21" W x 33" H Overall Dimensions | 14.75" L x 10.75" W | 10" | \$323.41 |
|---|------|--------------|-----|--|---------------------|-----|----------|



## ADAPTERS



| MOD | DESCRIPTION | LIST PRICE |
|-----|-------------|------------|
|-----|-------------|------------|

\$

### Transfer Adapters

UPC: 1 92216 40788 6 | 1 92216 82750 9 | 1 92216 00553 2 | 1 92216 00554 9

|   |             |  |         |
|---|-------------|--|---------|
| a | PW40788     | Bayonet Adapter                            | \$4.95  |
| b | PW3082750   | 22mm Adapter                               | \$9.95  |
| c | AL553-B     | 22mm fitting (Converts 14mm to 15mm plug)  | \$9.95  |
| d | AL554-B     | 22mm fitting, (Converts 15mm to 14mm plug) | \$9.95  |
| e | PW4222930-R | Fitting M22 x 3/8 QC Plug                  | \$11.95 |



| MOD | DESCRIPTION | LIST PRICE |
|-----|-------------|------------|
|-----|-------------|------------|

\$

### Garden Hose Adapters

UPC: 1 92216 93028 5 | 1 92216 04580 4 | 1 92216 09103 0 | 1 92216 04222 3 | 1 92216 42930 7

|   |             |   |         |
|---|-------------|---|---------|
| a | PW909103K-R | QC Filter and Garden Hose Adapter Kit                                       | \$6.95  |
| b | PW4221570-R | Aluminum Garden Hose Adapter  | \$7.95  |
| c | PW4221580   | Brass Garden Hose Adapter   | \$10.95 |
| d | PW2605B     | Garden Hose Adapter Brass Swivel Cone Filter - 3/4" F Inlet x 3/4" F Outlet | \$12.95 |
| e | PW1264750   | Garden Hose Adapter Brass Swivel Cone Filter - 3/4" F Inlet x 1/2" F Outlet | \$8.95  |





# ACCESSORIES

## FLUIDS & NOZZLES



a b c d e

| MOD | DESCRIPTION | LIST PRICE |
|-----|-------------|------------|
|-----|-------------|------------|

\$

### Detergent - Concentrated

UPC: 1 92216 64597 4 | 1 92216 64598 1 | 1 92216 64599 8

|   |         |                               |         |
|---|---------|-------------------------------|---------|
| a | ARCTW04 | Car and Truck Detergent       | \$18.95 |
| b | ARCD004 | Cleaner & Degreaser Detergent | \$16.95 |
| c | ARDFW04 | Deck and Fence Detergent      | \$17.95 |

### Pump Saver

UPC: 7 77897 13141 3

|   |         |            |        |
|---|---------|------------|--------|
| d | PW64511 | Pump Saver | \$9.95 |
|---|---------|------------|--------|


### Oil

UPC: 1 92216 64549 3

|   |         |  |        |
|---|---------|--|--------|
| e | PW64545 | Crankcase Oil - 4.5 oz (75W-90 Synthetic)<br>Use in Models: XJV, SJV, XJW, SJW, RMV, RMW, SRMW, RQV, RXV & BKV | \$6.95 |
|---|---------|--|--------|



a b c d

| MOD | DESCRIPTION | NOZZLES |  MAX |  MAX | LIST PRICE |
|-----|-------------|---------|---|---|------------|
|     |             |         | psi   | gpm   | \$         |

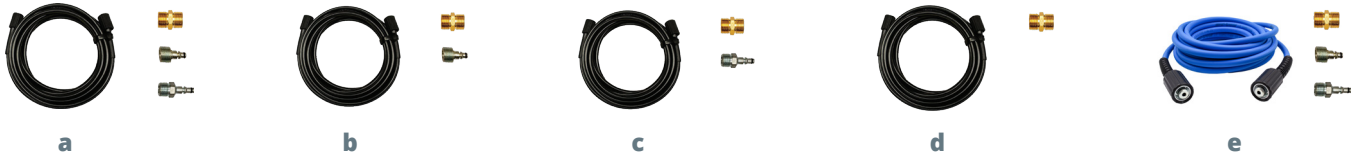
### Nozzles - Use with Blue Clean Electric Pressure Washers Only

UPC: 1 92216 09113 9 | 1 92216 09114 6 | 1 92216 04680 1

|   |             |                |   |       |     |         |
|---|-------------|----------------|---|-------|-----|---------|
| a | PW909113K   | 3 pack Nozzles | 0° Nozzle (Red), 25° Nozzle (Green), Soap Nozzle (Black)<br>Size 2, 1mm orifice                             | 3,000 | 1.7 | \$12.95 |
| b | PW909114K-R | 4 pack Nozzles | 0° Nozzle (Red), 15° Nozzle (Yellow), 25° Nozzle (Green), 40° Nozzle (White)<br>Size 2, 1mm orifice         | 3,000 | 1.7 | \$15.95 |
| c | NZQC4P-035A | 4 Pack Nozzles | Soap Nozzle (Black), 15° Nozzle (Yellow), 25° Nozzle (Green), 40° Nozzle (White) - Size 3.5, 1.25mm orifice | 3,000 | 3.0 | \$51.23 |
| d | PW222790    | Turbo Nozzle   | Size 2, 1mm orifice   | 3,000 | 1.7 | \$21.95 |



## HOSE KITS & FOAMER KITS

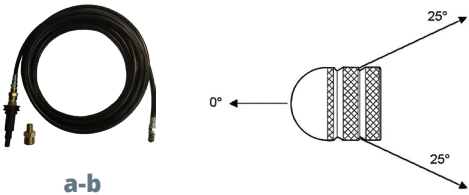


| MOD | DESCRIPTION | LENGTH |  psi | FITTINGS | ADAPTERS | LIST PRICE |
|-----|-------------|--------|---|----------|----------|------------|
|     |             | ft     |   | mm       |          | \$         |

### Extension Hose Kits

Not for use with AR Speedy Wash, Industrial power washers or AR114 units.  
 UPC: 1 92216 09101 6 | 1 92216 09199 3 | 1 92216 90930 4 | 1 92216 90931 1 | 1 92216 90932 8

|          |               |   |     |       |             |   |         |
|----------|---------------|---|-----|-------|-------------|---|---------|
| <b>a</b> | PW909UH-R     | High Pressure Super Flex Extension Hose | 25' | 3,000 | M-22 x 15mm | Brass Adapter, 100 Series Adapter, 300 Series Adapter | \$32.95 |
| <b>b</b> | PW9091H       | High Pressure Super Flex Extension Hose | 25' | 3,000 | M-22 x 15mm | Brass Adapter, 100 Series Adapter                     | \$29.95 |
| <b>c</b> | PW9093H       | High Pressure Super Flex Extension Hose | 25' | 3,000 | M-22 x 15mm | Brass Adapter, 300 Series Adapter                     | \$29.95 |
| <b>d</b> | PW909XH       | High Pressure Super Flex Extension Hose | 25' | 3,000 | M-22 x 15mm | Brass Adapter   | \$28.95 |
| <b>e</b> | PW909UFH-BLUE | High Pressure Uber Flex Extension Hose  | 25' | 3,100 | M-22 x 15mm | Brass Adapter, 100 Series Adapter, 300 Series Adapter | \$39.95 |



| MOD | DESCRIPTION | HOSE SIZE | HOSE LENGTH | LIST PRICE |
|-----|-------------|-----------|-------------|------------|
|     |             | in        | ft          | \$         |

### Jetter Kit

UPC: 1 92216 90925 0 | 1 92216 90950 2

|          |          |  |      |     |          |
|----------|----------|--|------|-----|----------|
| <b>a</b> | PWJET25K | 3 Rear Jets at 25°, 1 Forward Jet at 0°, AR Blue Clean Adapter, 22mm Adapts to Coupler | 1/8" | 25' | \$89.95  |
| <b>b</b> | PWJET50K | 3 Rear Jets at 25°, 1 Forward Jet at 0°, AR Blue Clean Adapter, 22mm Adapts to Coupler | 1/8" | 50' | \$115.95 |

# A.R. BLUE CLEAN RETAIL PACKAGING





## BLUE CLEAN RETAIL PRESSURE WASHERS



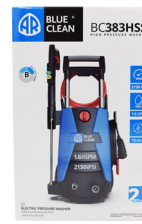
a



b



c



d



e



f



g



h



i



j



k



l

| MOD | UPC | DESCRIPTION | SUGGESTED RETAIL PRICE |
|-----|-----|-------------|------------------------|
|-----|-----|-------------|------------------------|

\$

### Electric Pressure Washers

|   |            |                 |   |          |
|---|------------|-----------------|---|----------|
| a | BC111HS    | 1 92216 14974 8 | Electric Pressure washer. See page 225. Box dimensions: 11.8 x 10.4 x 17.7" | \$149.00 |
| b | BC142HS    | 1 92216 14975 5 | Electric Pressure washer. See page 225. Box dimensions: 13.8 x 11.2 x 17.7" | \$159.00 |
| c | BC383HS    | 1 92216 14977 9 | Electric Pressure washer. See page 226. Box dimensions: 14.6 x 13.6 x 22.8" | \$219.00 |
| d | BC383HSS   | 1 92216 14978 6 | Electric Pressure washer. See page 226. Box dimensions: 14.6 x 13.6 x 22.8" | \$249.00 |
| e | BC390HSS   | 1 92216 14979 3 | Electric Pressure washer. See page 227. Box dimensions: 15.6 x 14.6 x 36.8" | \$299.00 |
| f | BC2N1HSS   | 1 92216 14980 9 | Electric Pressure washer. See page 227. Box dimensions: 24.4 x 16.4 x 17.2" | \$299.00 |
| g | BCXP22000  | 1 92216 15222 9 | Electric Pressure washer. See page 228. Box dimensions: 20 x 14.6 x 17.9"   | \$259.00 |
| h | BCXP22300P | 1 92216 15223 6 | Electric Pressure washer. See page 228. Box dimensions: 20 x 14.6 x 17.9"   | \$279.00 |
| i | BM2300     | 1 92216 14981 6 | Electric Pressure washer. See page 229. Box dimensions: 23 x 14.6 x 17.2"   | \$369.00 |
| j | BM3000     | 1 92216 14982 3 | Electric Pressure washer. See page 229. Box dimensions: 23 x 14.6 x 19.1"   | \$489.00 |
| k | BMXP32300  | 1 92216 15224 3 | Electric Pressure washer. See page 230. Box dimensions: 21.5 x 16.4 x 17.9" | \$379.00 |
| l | BMXP32700  | 1 92216 15225 0 | Electric Pressure washer. See page 230. Box dimensions: 21.5 x 16.4 x 17.9" | \$409.00 |



# RETAIL PACKAGING

## BLUE CLEAN RETAIL ACCESSORIES



a



b



c



d



e



f



g



h



i



j



k



l



m



n



o

| MOD | UPC | DESCRIPTION | SUGGESTED RETAIL PRICE |
|-----|-----|-------------|------------------------|
|-----|-----|-------------|------------------------|

\$

### Standard Accessories

|   |               |              |  |         |
|---|---------------|--------------|--|---------|
| a | PW909103K-R   | 192216091030 | QC Filter and Garden Hose Adapter Kit  | \$6.95  |
| b | PW4221570-R   | 192216215702 | Aluminum Garden Hose Adapter   | \$7.95  |
| c | PW4222930-R   | 192216429307 | Fitting M22 x 3/8 QC Plug  | \$11.95 |
| d | PW909114K-R   | 192216091146 | 4 pack Nozzles.<br>0° Nozzle (Red), 15° Nozzle (Yellow), 25° Nozzle (Green), 40° Nozzle (White).       | \$15.95 |
| e | ARCTW04       | 192216645974 | Car and Truck Detergent  | \$18.95 |
| f | ARCD004       | 192216645981 | Cleaner & Degreaser Detergent  | \$16.95 |
| g | ARDFW04       | 192216645998 | Deck and Fence Detergent   | \$17.95 |
| h | PW64511       | 777897131413 | Pump Saver   | \$9.95  |
| i | PW4620260-R   | 192216042605 | 25 oz. Foam Cannon with Quick Connect  | \$19.95 |
| j | BC2N1-WMKIT-R | 192216424937 | 25' Extension Hose. Fits units BC2N1HSS and BM2300   | \$49.95 |
| k | PW909UH-R     | 192216092181 | 25' High Pressure Super Flex Extension Hose with Brass Adapter, 100 Series Adapter, 300 Series Adapter | \$32.95 |
| l | PW41581       | 192216415812 | 12" Surface Cleaner. Patio Cleaner with integrated detergent tank.                                     | \$49.95 |
| m | PW909100K     | 192216091009 | Universal Electric PW Gun Replacement Kit  | \$55.95 |
| n | PW909102K     | 192216091023 | Brush Kit w/Adapters   | \$35.95 |
| o | PW909300K     | 192216093003 | Pro Universal Electric PW Gun Replacement Kit  | \$89.95 |









# GENERAL INFORMATION

# GENERAL INFO



## SPRAY NOZZLE CHART

| NOZZLE SIZE | 1000 PSI | 1200 PSI | 1250 PSI | 1300 PSI | 1500 PSI | 1800 PSI | 2000 PSI | 2100 PSI | 2200 PSI | 2300 PSI | 2400 PSI | 2500 PSI | 3000 PSI | 3200 PSI | 3500 PSI | 4000 PSI | 5000 PSI |
|-------------|----------|----------|----------|----------|----------|----------|----------|----------|----------|----------|----------|----------|----------|----------|----------|----------|----------|
| 2.0         | 1.00     | 1.10     | 1.12     | 1.14     | 1.22     | 1.34     | 1.41     | 1.45     | 1.48     | 1.52     | 1.55     | 1.58     | 1.73     | 1.79     | 1.87     | 2.00     | 2.40     |
| 2.5         | 1.25     | 1.37     | 1.40     | 1.43     | 1.53     | 1.68     | 1.77     | 1.81     | 1.85     | 1.90     | 1.94     | 1.98     | 2.17     | 2.24     | 2.34     | 2.50     | 2.80     |
| 3.0         | 1.50     | 1.64     | 1.68     | 1.71     | 1.84     | 2.01     | 2.12     | 2.17     | 2.22     | 2.27     | 2.32     | 2.37     | 2.60     | 2.68     | 2.81     | 3.00     | 3.35     |
| 3.5         | 1.75     | 1.92     | 1.96     | 2.00     | 2.14     | 2.35     | 2.47     | 2.54     | 2.60     | 2.65     | 2.71     | 2.77     | 3.03     | 3.13     | 3.27     | 3.50     | 3.91     |
| 4.0         | 2.00     | 2.19     | 2.24     | 2.28     | 2.45     | 2.68     | 2.83     | 2.90     | 2.97     | 3.03     | 3.10     | 3.16     | 3.46     | 3.58     | 3.74     | 4.00     | 4.47     |
| 4.5         | 2.25     | 2.46     | 2.52     | 2.57     | 2.76     | 3.02     | 3.18     | 3.26     | 3.34     | 3.41     | 3.49     | 3.56     | 3.90     | 4.02     | 4.21     | 4.50     | 5.03     |
| 5.0         | 2.50     | 2.74     | 2.80     | 2.85     | 3.06     | 3.35     | 3.54     | 3.62     | 3.71     | 3.79     | 3.87     | 3.95     | 4.33     | 4.47     | 4.68     | 5.00     | 5.59     |
| 5.5         | 2.75     | 3.01     | 3.07     | 3.14     | 3.37     | 3.69     | 3.89     | 3.99     | 4.08     | 4.17     | 4.26     | 4.35     | 4.76     | 4.92     | 5.14     | 5.50     | 6.15     |
| 6.0         | 3.00     | 3.29     | 3.35     | 3.42     | 3.67     | 4.02     | 4.24     | 4.35     | 4.45     | 4.55     | 4.65     | 4.74     | 5.20     | 5.37     | 5.61     | 6.00     | 6.71     |
| 6.5         | 3.25     | 3.56     | 3.63     | 3.71     | 3.98     | 4.36     | 4.60     | 4.71     | 4.82     | 4.93     | 5.03     | 5.14     | 5.63     | 5.81     | 6.08     | 6.50     | 7.27     |
| 7.0         | 3.50     | 3.83     | 3.91     | 3.99     | 4.29     | 4.70     | 4.95     | 5.07     | 5.19     | 5.31     | 5.42     | 5.53     | 6.06     | 6.26     | 6.55     | 7.00     | 7.83     |
| 7.5         | 3.75     | 4.11     | 4.19     | 4.28     | 4.59     | 5.03     | 5.30     | 5.43     | 5.56     | 5.69     | 5.81     | 5.93     | 6.50     | 6.71     | 7.02     | 7.50     | 8.39     |
| 8.0         | 4.00     | 4.38     | 4.47     | 4.56     | 4.90     | 5.37     | 5.66     | 5.80     | 5.93     | 6.07     | 6.20     | 6.32     | 6.93     | 7.16     | 7.48     | 8.00     | 8.94     |
| 8.5         | 4.25     | 4.66     | 4.75     | 4.85     | 5.21     | 5.70     | 6.01     | 6.16     | 6.30     | 6.45     | 6.58     | 6.72     | 7.36     | 7.60     | 7.95     | 8.50     | 9.50     |
| 9.0         | 4.50     | 4.93     | 5.03     | 5.13     | 5.51     | 6.04     | 6.36     | 6.52     | 6.67     | 6.82     | 6.97     | 7.12     | 7.79     | 8.05     | 8.42     | 9.00     | 10.06    |
| 9.5         | 4.75     | 5.20     | 5.31     | 5.42     | 5.82     | 6.37     | 6.72     | 6.88     | 7.05     | 7.20     | 7.36     | 7.51     | 8.23     | 8.50     | 8.89     | 9.50     | 10.62    |
| 10.0        | 5.00     | 5.48     | 5.59     | 5.70     | 6.12     | 6.71     | 7.07     | 7.25     | 7.42     | 7.58     | 7.75     | 7.91     | 8.66     | 8.94     | 9.35     | 10.00    | 11.18    |
| 12.0        | 6.00     | 6.57     | 6.71     | 6.84     | 7.35     | 8.05     | 8.49     | 8.69     | 8.90     | 9.10     | 9.30     | 9.49     | 10.39    | 10.73    | 11.22    | 12.00    | 13.42    |
| 15.0        | 7.50     | 8.22     | 8.39     | 8.55     | 9.19     | 10.06    | 10.61    | 10.87    | 11.12    | 11.37    | 11.62    | 11.86    | 12.99    | 13.42    | 14.03    | 15.00    | 16.77    |

## VARI SPRAY HEAD ORIFICE SIZE

| ORIFICE SIZE (mm) | SPRAYING SYSTEMS SIZE | COLOR         | ORIFICE CODE |
|-------------------|-----------------------|---------------|--------------|
| 1.00              | 02.0                  | Dark Brown    | AL106-180060 |
| 1.05              | 02.2                  | Pink          | AL106-180061 |
| 1.10              | 02.5                  | Red           | AL106-180062 |
| 1.15              | 02.7                  | Lilac         | AL106-180063 |
| 1.20              | 03.0                  | Bright Yellow | AL106-180064 |
| 1.25              | 03.5                  | Light Green   | AL106-180065 |
| 1.30              | 03.8                  | Orange        | AL106-180066 |
| 1.35              | 04.0                  | Blue          | AL106-180067 |
| 1.40              | 04.5                  | Beige         | AL106-180068 |
| 1.45              | 04.8                  | Dark Yellow   | AL106-180069 |
| 1.50              | 05.0                  | Light Blue    | AL106-180070 |
| 1.55              | 05.5                  | White         | AL106-180071 |
| 1.60              | 06.0                  | Black         | AL106-180072 |
| 1.65              | 06.5                  | Purple        | AL106-180073 |
| 1.70              | 07.5                  | Brown         | AL106-180074 |
| 1.75              | 08.5                  | Gray          | AL106-180075 |
| 1.80              | 09.0                  | Dark Green    | AL106-180076 |

## THEORETICAL SPRAY COVERAGE (INCHES)

| SPRAY ANGLE | DISTANCE FROM THE NOZZLE ORIFICE (in) |      |      |       |       |       |       |       |       |       |       |     | SPRAY PATTERN | SPRAY ANGLE | % IMPACT/SQ. IN. OF THEORETICAL IMPACT* |
|-------------|---------------------------------------|------|------|-------|-------|-------|-------|-------|-------|-------|-------|-----|---------------|-------------|---|
|             | 2"                                    | 4"   | 6"   | 8"    | 10"   | 12"   | 15"   | 18"   | 24"   | 30"   | 36"   |     |               |             |   |
| 15          | 0.5"                                  | 1.1" | 1.6" | 2.1"  | 2.6"  | 3.2"  | 3.9"  | 4.7"  | 6.3"  | 7.9"  | 9.5"  | FAN | 15            | 30%         |   |
| 25          | 0.9"                                  | 1.8" | 2.7" | 3.5"  | 4.4"  | 5.3"  | 6.6"  | 8"    | 10.6" | 13.3" | 15.9" | FAN | 25            | 18%         |   |
| 40          | 1.5"                                  | 2.9" | 4.4" | 5.8"  | 7.3"  | 8.7"  | 10.9" | 13.1" | 17.5" | 21.8" | 26.2" | FAN | 40            | 12%         |   |
| 50          | 1.9"                                  | 3.7" | 5.6" | 7.5"  | 9.3"  | 11.2" | 14"   | 16.8" | 22.4" | 28"   | 33.6" | FAN | 50            | 10%         |   |
| 65          | 2.5"                                  | 5.1" | 7.6" | 10.2" | 12.7" | 15.3" | 19.2" | 22.9" | 30.5" | 38.2" | 45.8" | FAN | 65            | 7%          |   |

Nozzle

\*At 12" (30cm) distance from the  
THEORETICAL IMPACT OF SPRAYING WATER  
Impact Force (lbs) = 0.0526 x GPM x √PSI

$$\text{Nozzle \#} = \text{GPM} \times \sqrt{\frac{4000}{\text{PSI}}}$$

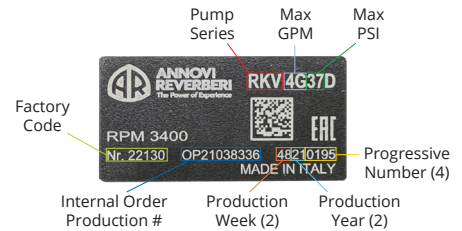
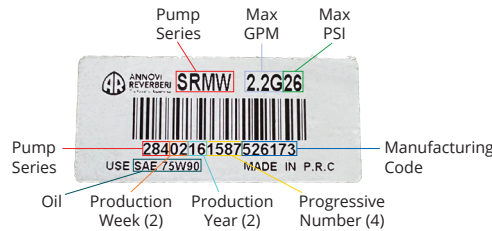
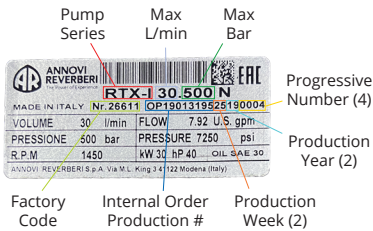
$$\text{GPM} = \text{Nozzle \#} \times \sqrt{\frac{\text{PSI}}{4000}}$$

$$\text{PSI} = (\text{Nozzle \#} / \text{GPM})^2 \times 4000$$



# GENERAL INFO

## HOW TO READ A.R. NORTH AMERICA PUMP #



## SUFFIX MEANINGS

| PUMP SERIES |    | RPM RATINGS = PUMP SERIES | SHAFT VERSIONS   | UNLOADER CODES |
|-------------|----|---------------------------|--|----------------|
| JR          | RC | + A = 1750 RPM            | N = Natural Shaft = Solid Shaft                          | M2 = Minimatic |
| RK          | RG | + V = 3400 RPM            | E = Electric Shaft = 5/8", 1-1/8" Hollow Shaft           | C2 = Gymatic   |
| RQ          | RM | + W = 3400 RPM            | D = Direct Gas Drive Shaft = 3/4", 1", 7/8" Hollow Shaft | VR = VR35      |
| RS          | RR | + Nothing = 1450 RPM      | J = Internal Gear Box Shaft = 25mm Solid Shaft           |                |
| RX          | RT |                           | V = Tapered Gas Engine Flange = 1" Hollow Shaft          |                |
| RW          | SH |                           | L = 45mm Shaft Length (standard - 30mm)                  |                |
| SJ          | SX |                           |  |                |
| XJ          | XM |                           |  |                |
| XT          | XW |                           |  |                |

**Pump Head Types:** Anodized Aluminum, B = Forged Brass (XTA2G15EBA-F8), H = Nickel Plated (RK1528HN)

**Connecting Rods:** A = Aluminum (RKA4G30AD-F24)

**Gear Boxes:** CR = Gear Box (RKA4G30N-CR)

### A.R. Pump Care:

- To prevent freezing use Environmentally Friendly or R.V. Antifreeze. (Always use for winter storage).
- Change oil every 3-5 months or every 500 hours of operation (initial break-in oil change after first fifty hours). DO NOT change oil in the RP, RQ, RM, SRM, RX, SJ & XJ Series Pumps.
- Flush water valves and detergent injectors with plain water on a regular basis after use.
- Use Line Strainer, 50 mesh minimum.
- Never store pump with water in it.
- Consult local service dealer or AR North America for chemical usage.

## HELPFUL CONVERSIONS





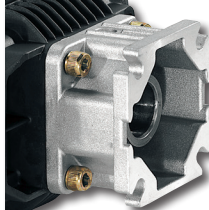

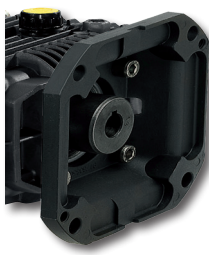
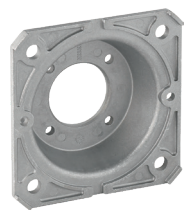
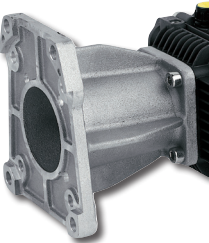
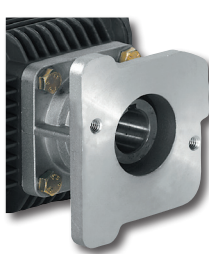
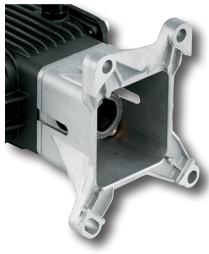
| VOLUME & WEIGHT               |                   | TORQUE                         | LENGTH                     |
|-------------------------------|-------------------|--------------------------------|----------------------------|
| Gal x 3.786                   | = Liters          | NM x 0.7375 = ft/lbs of torque | 0.001 in. x 25.4 = Microns |
| Gal x 128                     | = Ounces          | NM x 8.85 = in/lbs of torque   | Inches x 25.4 = MM         |
| Gal x 231                     | = Cubic Inches    |                                | MM x 0.03937 = Inches      |
| Gal x 8.3453                  | = Pounds          |                                |                            |
| Ltr x 61.02                   | = Cubic Inches    |                                |                            |
| Ltr x 33.82                   | = Ounces          |                                |                            |
| Ltr x 0.2642                  | = Gallons         |                                |                            |
| Ltr x 1000                    | = CM <sup>3</sup> |                                |                            |
| ML (CC) x 0.338               | = Ounces          |                                |                            |
| Gram x 0.03527                | = Ounces          |                                |                            |
| PSI x 0.0689                  | = Bar             |                                |                            |
| Bar x 14.5                    | = PSI             |                                |                            |
| In. HG x 0.4912               | = PSI             |                                |                            |
| In. H <sub>2</sub> O x 0.8226 | = In. HG          |                                |                            |

**Temperature:** F° = 1.8 (C° + 17.78) C° = .555 (F° - 32)

**Horsepower:**  $\frac{\text{GPM} \times \text{PSI}}{1457} = \text{Elec. Brake HP}$        $\frac{\text{GPM} \times \text{PSI}}{1714} = \text{Hydraulic HP}$

**Nozzle:** Nozzle # =  $\text{GPM} \times \sqrt{\frac{4000}{\text{PSI}}}$        $\text{GPM} = \text{Nozzle \#} \times \sqrt{\frac{\text{PSI}}{4000}}$        $\text{PSI} = (\text{Nozzle \#} / \text{GPM})^2 \times 4000$

## FLANGE TYPES

|   |   |  |  |
|---|---|--|--|
|    | <p><b>F7</b> Flange for SJV, XTV, RCV, RCVU Series 'D' Version (3/4" I.D. Shaft) for close coupling to gas/diesel engines with 3/4" cylindrical shaft and SAE J609a flange.</p> <p>AR1579</p>                                       |    | <p><b>F24</b> Flange for <b>RRV</b> Series 'D' version (1" I.D. Shaft) for coupling to gas/diesel engines.<br/>Assembled - includes oil seal, bearing, flange<br/>AR41866</p>            |
|    | <p><b>F8</b> Flange for RCA, RCV, XJV, XTA, XTV Series 'E' version (5/8" I.D. Shaft) and RCV Series 'D' version (3/4" I.D. Shaft) for close coupling NEMA 56-C flange.</p> <p>AR1584</p>  |    | <p><b>F24</b> Flange for RKV Series 'D' version (1" I.D. Shaft) for coupling to gas/diesel engines.</p> <p>AR2281510</p>   |
|   | <p><b>F14</b> Bell Housing and flexible coupling XMA, RKA Series (1-1/8" I.D. Shaft) for NEMA 182-184 flange.</p> <p><b>F15</b> Bell housing and flexible coupling XMA, RKA Series (1-3/8" I.D. Shaft) for NEMA 213-215 flange.</p> |   | <p><b>F25</b> Flange XM series 'D' version for close coupling to gas/diesel engines with 3/4" cylindrical shaft and SAE J609a flange.</p> <p>AR1780580</p>                               |
|  | <p><b>F17</b> Flange RRA Series 'E' version (1-1/8" I.D. Shaft) for close coupling NEMA 182-184 flange.</p> <p>Assembled - includes oil seal, bearing, flange<br/>AR41882</p>   |  | <p><b>F33</b> Flange for RKA-SS XMA(SS), XMV Series 'E' version (5/8" I.D. Shaft) and XMV Series 'D' version (3/4" I.D. Shaft) for close coupling NEMA 56-C flange.</p> <p>AR1780910</p> |
|  | <p><b>F17</b> Flange RKA(SS), SXMA, XMA Series 'E' version (1-1/8" I.D. Shaft) for close coupling NEMA 182-184 flange. For RRA Pumps.</p> <p>AR1591</p>   |  | <p><b>F35</b> Flange for GRKV Series 'V' version (1" I.D. Shaft) for Tapered Gas Engines</p> <p>AR2280430</p>  |
|  | <p><b>F22</b> Flange RKA Series 'J' version (25mm Shaft) for 2:1 gear reduction.</p> <p>AR1380311</p>   |  | <p><b>F40</b> Flange RSV, SXMV, XM series 'D' version (1" I.D. Shaft) for close coupling to gas/diesel engines with 1" cylindrical shaft and SAE J609a flange.</p> <p>AR2760290</p>      |





# ORDER PROCESS & WARRANTY



## HOW TO ORDER:

- **Phone:** Sales Department, Monday-Friday, **763-398-2008** or **1-800-893-4235**.
- **Fax:** Sales Department at **763-398-2009** or **1-800-331-2762**, 24 hours a day, 7 days a week.  
**Fax Heading:** company name, account number, part number, product description, quantity and price.
- **E-Mail:** Sales Department at - **info@arnorthamerica.com**  
**Subject Line:** *Supply Order*, company name, account number, part number, product description, quantity and price.

**Minimum Order Requirement:** \$25.00

**Drop Shipments:** \$10.00 service fee.

**Special Shipping:** Instructions should be highlighted.

**Order Confirmation:** Order confirmations will not be sent unless requested on order.

## SHIPMENT DESCREPANCIES:

**Call/ Email to Report Discrepancy:** within seven (7) Business days.

- **Phone:** Sales Department, Monday-Friday, **763-398-2008** or **1-800-893-4235**.
- **E-Mail:** Sales Department at - **info@arnorthamerica.com**

**\*NOTE:** Discrepancies must be reported within seven (7) days. A.R. North America will not be responsible for, nor issue a refund, if notification is not received within the seven (7) business days.

## FREIGHT:

- **All Items will be shipped UPS Common Carrier** unless specified
- **All Shipments will be shipped PPD (prepaid).** Freight Cost will be added to invoice.

## PAYMENT TERMS:

**Open Account:** Upon approval of submitted Credit Application, provided by **A.R. North America**.



# WARRANTY

## WARRANTY QUESTIONS:

Please have your original purchase receipt/invoice ready.

**Contact Customer Service:** 1-866-235-5112.

**Operating Hours:** Monday - Friday 8:00 a.m. to 5:00 p.m. Central Standard Time (CST).

## WARRANTY BY PUMP TYPE:

- **Cam Shaft Plunger Pumps:** warranted for a period of five (5) years.
- **Axial Radial Pumps:** warranted for a period of one (1) year.
- **Diaphragm Pumps:** warranted for a period of (1) year.
- **Electric Pressure Washers:** warranted for a period of two (2) years.
- **AR600 Series Electric Pressure Washers:** warranted for a period of one (1) year.
- **Accessories:** warranted for a period of (90) Days.

## WARRANTY CONDITIONS:

- **Warranty covers/applies to manufacturing defects or workmanship;** that may develop under normal use and service in a manner up to the directions and usage recommended by the manufacturer.
- **Warranty does not apply to normal wear** (such as but not limited to: seals/ packings, valves, plungers and sealing O-rings), freight damage, freezing damage.
- **Warranty does not apply to misuse** when pump or accessories are altered operated above recommended speeds, pressures, or temperatures.
- **Warranty does not apply to damage caused by aftermarket accessories** not included with original unit.

*\*\*This warranty is in lieu of all other warranties, expressed or implied, including any warranty of merchantability and of all other obligations or liabilities on the part of the manufacturers or equipment. This warranty gives you specific legal rights, and you may also have other rights that vary from state to state.*

## WARRANTY IS VOID WHEN:

- **Used caustic (corrosive) liquids or any chemical not compatible with pump seal material.**
- **Pump has been operated under abrasive or corrosive environments where conditions could cause pump cavitation.**
- **Failure to follow recommended operating and maintenance procedures.**
- **Failure to use OEM replacement parts.**

## LIABILITY OF THE MANUFACTURER:

- **Warranty is limited to repair or replacement of parts only.**
- **Warranty products must be inspected by the manufacturer.**

Returned Product will be Repaired or Replaced Free of Charge *if found to be defective and subject to warranty.* After a completed inspection by the manufacturer, warranty is granted/denied at the sole discretion of the manufacturer when such products are found to be of original defect or workmanship at the time it was shipped from factory.



## CUSTOMER RETURN LIABILITY:

- **Pumps and Accessories must have a Return RMA#.**
- **Please keep the receipt** as it will be required when submitting a warranty claim. Without the receipt the warranty claim cannot be processed.
- **Shipments without RMA# will be denied.**
- **Under no circumstance** will the manufacture bare any responsibility for loss of unit, loss of time or inconvenience in any manner.
- **Customer is responsible for freight costs to return product for warranty evaluation.**
- **The nozzle(s) being used must be returned** with the pump unit to be considered for warranty. (Where applicable)
- **A Shipping Plug (supplied) must be installed in the pump before shipping** to prevent oil seepage. Failure to secure the plug will result in a maintenance charge.
- **The manufacturer is not liable** for freight damage, insurance, labor, or any consequential damages incurred as a result of defective product.
- **If returned product is found non-warrantable, associated repair costs and return freight are the responsibility of the customer.**

## WARRANTY CLAIM PROCESS:

1. **RMA Number:** Call or E-mail
  - **Phone:** 763-398-2008
  - **E-mail:** aliciap@arnorthamerica.com
  - **Subject:** Return Merchandise Authorization Number (RMA#).
  - **Body of E-Mail:** describe issue, provide proof of purchase.
2. **Adhere RMA number** outside of box.
3. **Pack & Ship:** Attn Service Department.

**\*NOTE:** All products must be flushed of any chemical before being returned to A.R. North America for warranty consideration. A.R. North America reserves the right to scrap any product returned with unknown chemicals and refuse warranty.

### Products must be shipped to:

A.R. North America  
Attn: Service Department  
140 81st Ave NE  
Fridley, MN 55432





This catalog cancels all previous ones and can be modified without notice. AR North America, Inc. preserves the right to carry out partial shipments. Characteristics and descriptions are not binding.



**ANNOVI<sup>®</sup>  
REVERBERI**  
The Power of Experience



**NORTH<sup>®</sup>  
AMERICA**  
When Quality Matters

---

**A.R. North America Inc.**

140 - 81st Avenue Northeast

Fridley, MN USA 55432

Ph. +1 763 398 2008

Fax +1 763 398 2009

info@arnorthamerica.com

www.arnorthamerica.com

---