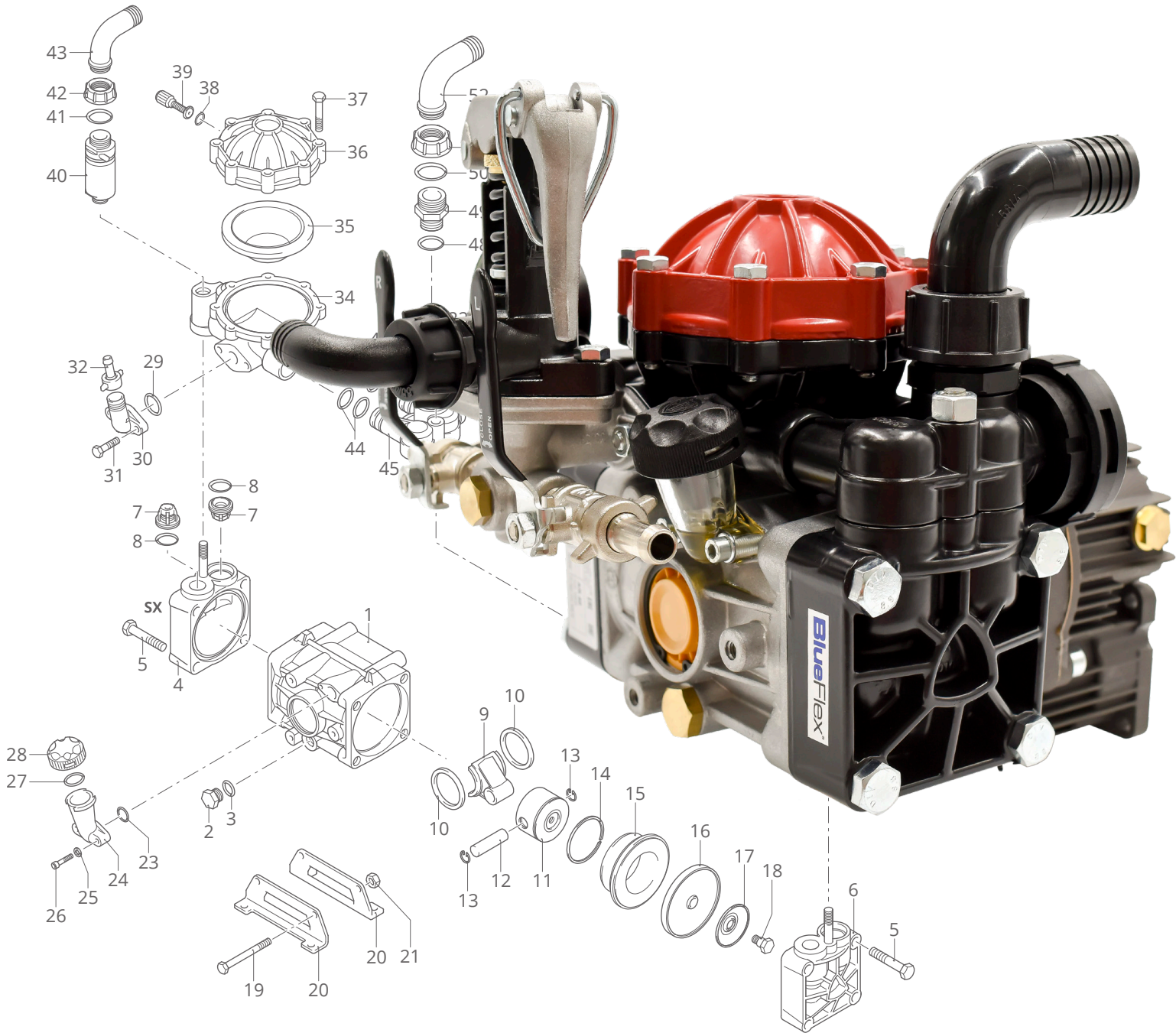


# A.R. North America

## *Agriculture Breakdown Catalog*



**ANNOVI<sup>®</sup>**  
**REVERBERI**  
The Power of Experience



## TABLE OF CONTENTS

### POLYPROPYLENE PUMPS

---

AR20LFP	P 4-7
AR25LFP	P 4-7
AR45LFP	P 8-13
AR60LFP	P 16-19
AR75LFP	P 14-15
AR80LFP	P 16-19
AR120LFP	P 24-25
AR140LFP	P 24-25
AR160LFP	P 26-29
AR185LFP	P 26-29
AR330LFP	P 32-33
AR380LFP	P 32-33
AR410LFP	P 34-35
AR460LFP	P 34-35

### LOW PRESSURE PUMPS

---

AR70BP	P 20-21
AR115BP	P 22-23
AR135BP	P 22-23
AR115BP 1000	P 22-23
AR160BP	P 27-28
AR185BP	P 27-28
AR215BP	P 30-31
AR250BP	P 30-31
AR280BP	P 30-31
AR320BP TWIN TOP	P 36-37
AR370BP TWIN TOP	P 36-37
AR500BP TWIN TOP	P 38-39
AR560BP TWIN TOP	P 38-39

### MEDIUM PRESSURE PUMPS

---

AR-DUE	P 40-41
AR252	P 42-43
AR30	P 44-45
AR40	P 44-45
AR50	P 46-47
AR303	P 48-49
AR403	P 48-49
AR503	P 50-51

### HIGH PRESSURE PUMPS

---

AR813	P 52-53
AR1053	P 54-55
AR1203	P 54-55
AR1064	P 56-59
AR1604	P 60-61
BHA130	P 62-63
BHA150	P 62-63
BHA170	P 64-65
BHA200	P 64-65
BHP130	P 66-67
BHP150	P 66-67
BHP170	P 68-69
BHP200	P 68-69
BHS90	P 70-71
BHS105	P 70-71
BHS120	P 70-71
BHS130	P 72-73
BHS150	P 72-73
BHS170	P 74-75
BHS200	P 74-75

### CONTROL UNITS

---

ECM-UCM	P 78-79
IDROMINUS	P 80-81
GS 25 S	P 82
GS 35 S	P 83
GS 20 S	P 84
RM 20 S	P 85
RM 40	P 86-87
VDR 20 S	P 88
GR 20 S	P 89
GR 30	P 90
GR 40	P 91
GI 30	P 92
GI 40	P 94-95
GIC 40	P 94-95
VDR 50	P 96-97
BY MATIC 50	P 98-99
BMH 50	P 100-101
BMS 50	P 102-103
GH 50	P 104
VH 50	P 105

### GEARBOXES

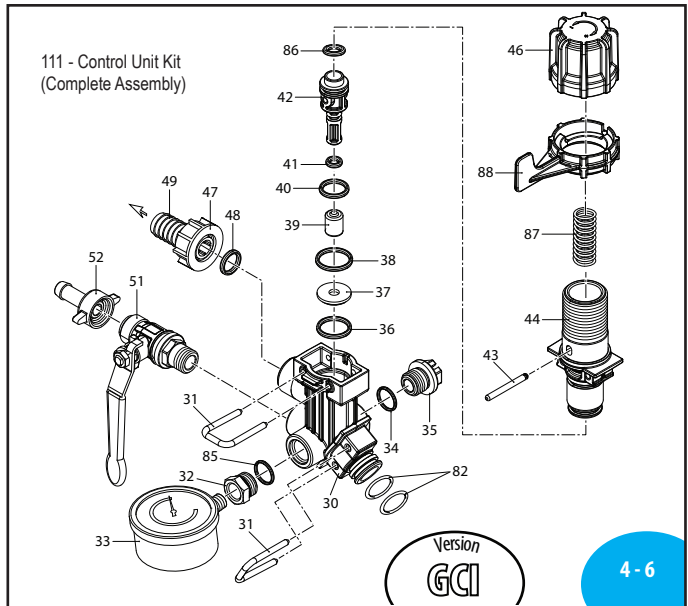
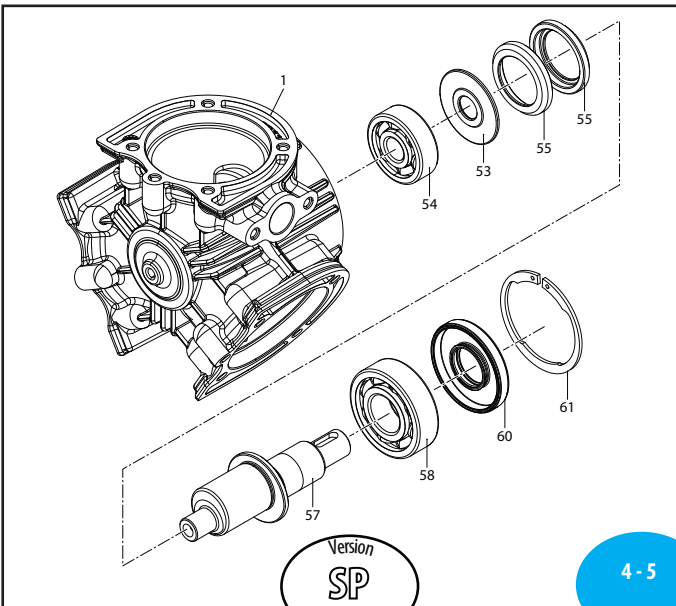
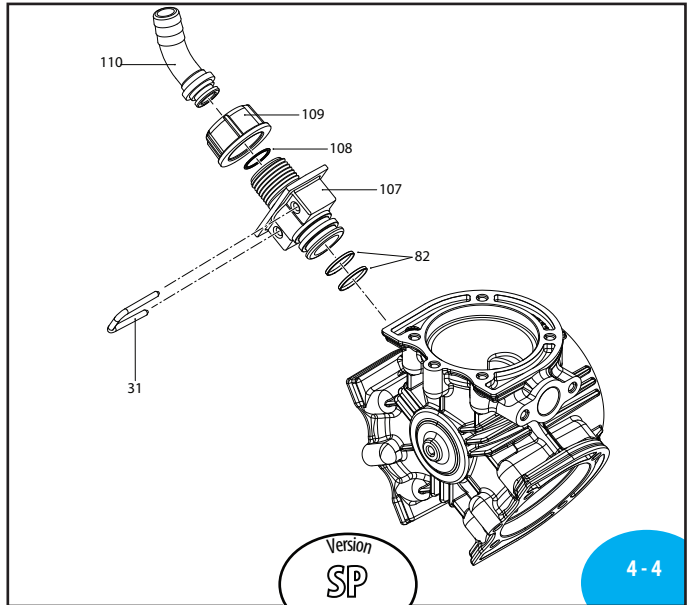
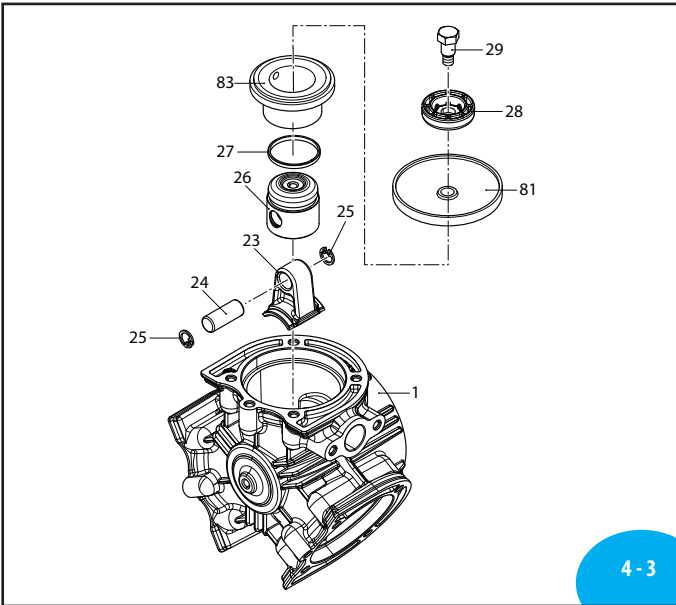
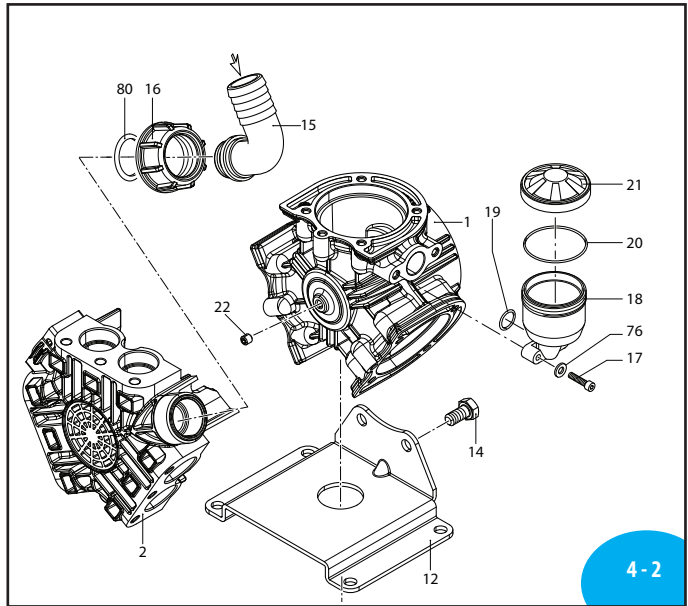
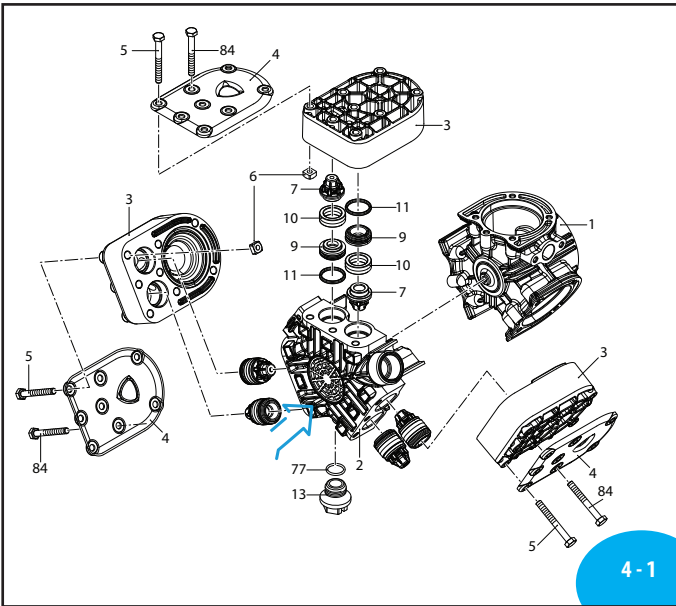
---

AR 1636: GEAR REDUCTION	P 106
AR 1639: GEAR REDUCTION	P 107
AR 1666: GEAR REDUCTION	P 108
AR 1671: GEAR REDUCTION	P 109
AR 31185: GEAR REDUCTION	P 110
AR 33261: GEAR REDUCTION	P 111



# A.R. NORTH AMERICA

## AR20LFP-SP-GCI / AR25LFP-SP-GCI



# AR20LFP-SP-GCI / AR25LFP-SP-GCI

	SP GCI
AR20LFP	33310
AR25LFP	33309

Low pressure

Pos	Code	Description	Qty	Note
1	3340011	Pump body	1	
2	3340030	Manifold	1	
3	3340020	Head	3	
4	3340590	Retaining washer	3	
5	3340221	Bolt M6x55	9	T44* SS
6	3340600	Nut M6	9	SS
7	3349051	Valve AISI 316L	6	
9	3340200	Spacer	6	
10	3340211	Valve Gasket	6	Viton
11	390061	O-ring Ø 20.63x2.62	6	Viton
12	3340270	Base	1	
13	3120690	Plug 3/8" G	1	T18*
14	180433	Bolt	2	
15	3120460	Hose barb Elbow 1"	1	
16	3120440	Ring nut 1" G	1	
17	394380	Bolt M6x30	2	T88* SS
18	1040310	Oil sight glass	1	
19	390180	O-ring Ø 18.72x2.62	1	
20	650920	O-ring Ø 53.65x2.62	1	
21	1040326	Cap black	1	AR20
	1040324	Cap red	1	AR25
22	820440	Bolt M6x6	1	
23	3340541	Connecting-rod aluminum	3	
24	3340510	Pin	3	
25	480160	Snap ring Øi 10	6	
26	3340060	Piston Ø 30	3	
27	3340280	Piston ring Ø 30	3	
28	3340090	Retaining washer	3	
29	3340070	Retaining Bolt	3	T88*
30	3340610	Body	1	
31	3340290	Fork	2	
32	1880250	Fitting	1	
33	391240	Pressure gauge Ø 63	1	0 - 350 psi
34	2840891	O-ring Ø 14x2	1	Viton
35	3120690	Plug 3/8" G	1	
36	800211	O-ring Ø 13.10x2.62	1	Viton
37	3340630	Plug	1	
38	390181	O-ring Ø 18.72x2.62	1	Viton
39	3340351	Plug	1	
40	390061	O-ring Ø 20.63x2.62	1	Viton
41	2540100	O-ring Ø 6.02x2.62	1	Viton
42	3340310	Valve spool	1	
43	3340450	Pin	1	
44	3340620	Body	1	
46	3340330	Knob	1	
47	3120430	Ring nut 3/4" G	1	
48	800211	O-ring Ø 13.10x2.62	1	Viton
49	3340660	Hose barb 3/4" G	1	
51	1880492	Valve 3/8" G - 1/2" GM-MSX	1	
52	110130	Ring nut 1/2" G	1	
53	3340130	Spacer	1	
54	3340580	Bearing	1	
55	3340491	Ring	2	

Pos	Code	Description	Qty	Note
57	3340560	Shaft marked EC	1	AR20
	3340570	Shaft marked ED	1	AR25
58	380230	Bearing	1	
60	3120150	Ring	1	
61	1460490	Snap ring Øi 47	1	
76	393790	Washer	2	SS
77	2840891	O-ring Ø 14x2	1	Viton
78	3202140	Plug 1/4" G	1	T177*
79	820510	O-ring Ø 10.82x1.78	1	
80	1140451	O-ring Ø 20.24x2.62	1	Viton
81	3340081	Diaphragm	3	BlueFlex™
82	960161	O-ring Ø 17.86x2.62	2	Viton
83	3340520	Sleeve Ø30	3	AR20
	3340530	Sleeve Ø30	3	AR25
84	3340181	Bolt M60x60	15	T44* SS
85	740291	O-ring Ø 14x1.78	1	Viton
86	1880260	O-ring Ø 15.08x2.62	1	Viton
87	3340670	Spring	1	
88	3340320	Lever	1	
106	620440	Bolt 5/16" 24 UNF 7/8"	4	T221*
107	3340150	Adapter	1	
108	3340381	O-ring Ø 10.5x2	1	
109	5374	Ring nut 1/2" G	3	
110	3340440	Hose barb 1/2" G	3	
111	32310	Control Unit Kit Complete Assembly	1	Viton

\* Torque: in-lbs +/- 10%

Suggested Oil: AR64532D (32 oz)  
- Crankcase oil capacity: 6.3 oz

AR 46561 BlueFlex diaphragms	
Pos.	Qty
81	3

AR 46565 Valves	
Pos.	Qty
7	6
10	6



# AR20LFP-GR-GCI / AR25LFP-GR-GCI

	GR GCI
AR20LFP	33280
AR25LFP	33279

Low pressure

Pos	Code	Description	Qty	Note
1	3340011	Pump body	1	
2	3340030	Manifold	1	
3	3340020	Head	3	
4	3340590	Retaining washer	3	
5	3340221	Bolt M6x55	9	T44* SS
6	3340600	Nut M6	9	SS
7	3349051	Valve AISI 316L	6	
9	3340200	Spacer	6	
10	3340211	Gasket	6	Viton
11	390061	O-ring Ø 20.63x2.62	6	Viton
13	3120690	Plug 3/8" G	1	T18*
15	3120460	Hose barb Elbow 1"	1	
16	3120440	Ring nut 1" G	1	
17	394380	Bolt M6x30	2	T88* SS
18	1040310	Oil sight glass	1	
19	390180	O-ring Ø 18.72x2.62	1	
20	650920	O-ring Ø 53.65x2.62	1	
21	1040326	Cap black	1	AR20
	1040324	Cap red	1	AR25
22	820440	Bolt M6x6	1	
23	3340541	Connecting-rod aluminum	3	
24	3340510	Pin	3	
25	480160	Snap ring Øi 10	6	
26	3340060	Piston Ø 30	3	
27	3340280	Piston ring Ø 30	3	
28	3340090	Retaining washer	3	
29	3340070	Retaining Bolt	3	T88*
30	3340610	Body	1	
31	3340290	Fork	2	
32	1880250	Fitting	1	
33	391240	Pressure gauge Ø 63	1	0 - 350 psi
34	2840891	O-ring Ø 14x2	1	Viton
35	3120690	Plug 3/8" G	1	
36	800211	O-ring Ø 13.10x2.62	1	Viton
37	3340630	Plug	1	
38	390181	O-ring Ø 18.72x2.62	1	Viton
39	3340351	Plug	1	
40	390061	O-ring Ø 20.63x2.62	1	Viton
41	2540100	O-ring Ø 6.02x2.62	1	Viton
42	3340310	Valve spool	1	
43	3340450	Pin	1	
44	3340620	Body	1	
46	3340330	Knob	1	
47	3120430	Ring nut 3/4" G	1	
48	800211	O-ring Ø 13.10x2.62	1	Viton
49	3340660	Hose barb 3/4" G	1	
51	1880492	Valve 3/8" G - 1/2" GM-MSX	1	
52	110130	Ring nut 1/2" G	1	
53	3340130	Spacer	1	
54	3340580	Bearing	1	
55	3340491	Ring	2	
57	3340560	Shaft marked EC	1	AR20
	3340570	Shaft marked ED	1	AR25
58	380230	Bearing	1	

Pos	Code	Description	Qty	Note
60	3120150	Ring	1	
61	1460490	Snap ring Øi 47	1	
76	393790	Washer	2	SS
77	2840891	O-ring Ø 14x2	1	Viton
78	3202140	Plug 1/4" G	1	T177*
79	820510	O-ring Ø 10.82x1.78	1	
80	1140451	O-ring Ø 20.24x2.62	1	Viton
81	3340081	Diaphragm	3	BlueFlexTM
82	960161	O-ring Ø 17.86x2.62	2	Viton
83	3340520	Sleeve Ø30	3	AR20
	3340530	Sleeve Ø30	3	AR25
84	3340181	Bolt M60x60	15	T44* SS
85	740291	O-ring Ø 14x1.78	1	Viton
86	1880260	O-ring Ø 15.08x2.62	1	Viton
87	3340670	Spring	1	
88	3340320	Lever	1	
89	3340400	Body	1	
90	130610	Bolt M6x20	3	T88*
91	820510	O-ring Ø 10.82x1.78	1	
92	3340710	Dipstick	1	
93	880581	Plug 1/4" G	1	
94	11640	Bolt M6x16	1	T780*
95	391470	Washer	1	SS
96	881670	Snap ring Øi 55	1	
97	881660	Ring	1	
98	320242	Snap ring Øe 30	1	
99	881650	Bearing	1	
100	3340480	Pinon Z=8(3/4")	1	
101	3340470	Gear Z=23	1	
102	1200450	Key	1	
103	3340410	Gasket	1	
104	3340770	Key	1	
106	620440	Bolt 5/16" 24 UNF 7/8"	4	T221*
107	32310	Control Unit Kit Complete Assembly	1	Viton

\* Torque: in-lbs +/- 10%

Suggested Oil: AR64532D (32 oz)

- Crankcase oil capacity: 6.3 oz

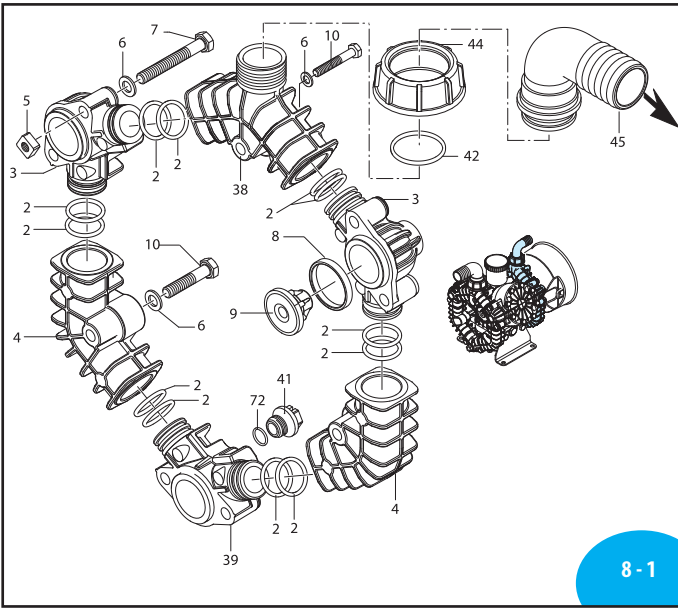
AR 46561 BlueFlex diaphragms	
Pos.	Qty
81	3

AR 46565 Valves	
Pos.	Qty
7	6
10	6

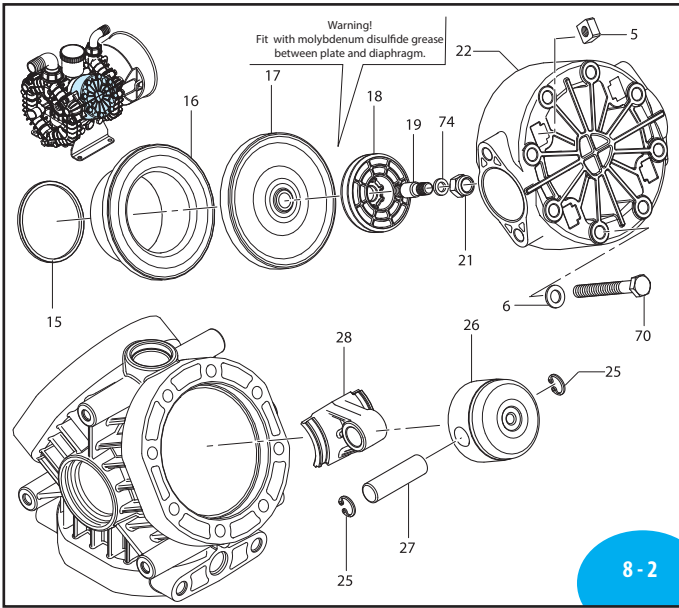


# A.R. NORTH AMERICA

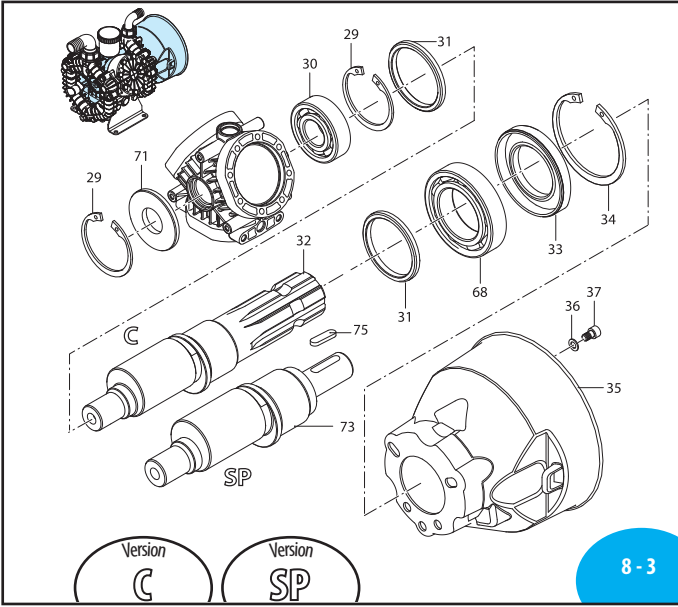
## AR45LFP / AR 45 bp



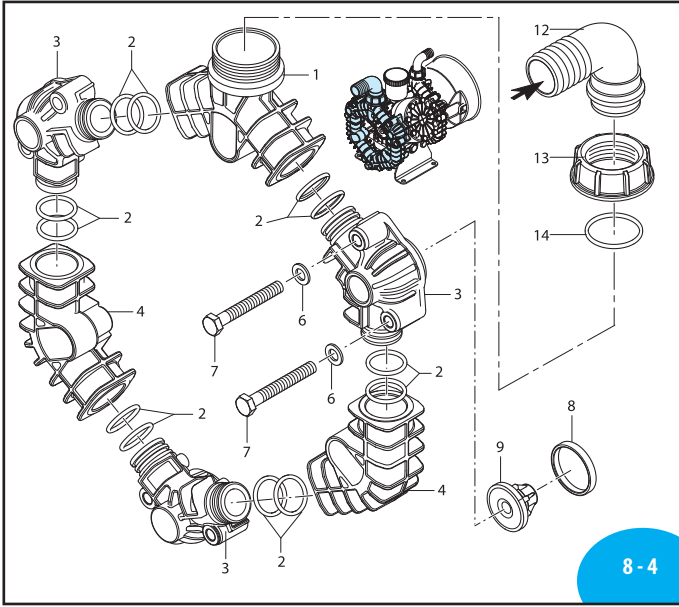
8-1



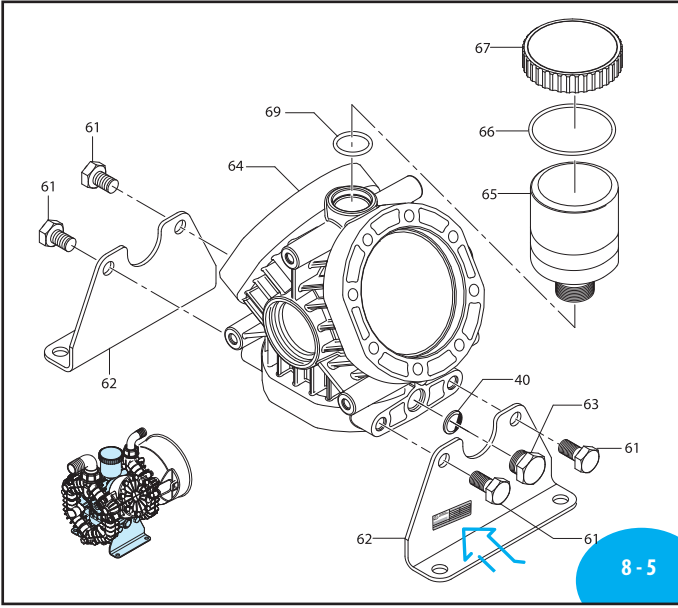
8-2



8-3



8-4



8-5



# AR 45LFP / AR 45 bp

	C	SP	GR3/4-GCI	GR-GCI
AR45LFP	32002	33035		31878
AR45bp	31689	31690	31692	

Pos	Code	Description	Qty	Note
1	3120410	Manifold suction	1	
2	720030	O-ring Ø 22.22x2.62	24	AR45bp
	720031	O-ring Ø 22.22x2.62	24	Viton AR45LFP
3	3120050	Manifold	5	
4	3120060	Manifold	4	
5	3120510	Nut M8	12	SS
6	3120761	Washer	42	Z/B AR45bp
	3120760	Washer	42	SS AR45LFP
7	3120251	Bolt TE M8x60	12	T90* AR45bp
	3120250	Bolt TE M8x60	12	SS T90* AR45LFP
8	3120230	Gasket	6	AR45bp
	3120680	Gasket	6	Viton AR45LFP
9	3129051	Complete valve	6	AR45LFP
	3129050	Complete valve	6	AR45bp
10	621782	Bolt TE M8x40	6	SS T90* AR45LFP
	621780	Bolt TE M8x40	6	T90* AR45bp
12	751200	Elbow 1 1/4"	1	
	760930	Optional Elbow 1"	1	
13	750670	Ring nut 1 1/2" G	1	
14	1880460	O-ring Ø 29x3	1	Viton AR45LFP
	390290	O-ring Ø 29x3	1	AR45bp
15	3120130	Piston ring	3	
16	3120090	Sleeve	3	
17	3120080	Diaphragm	3	NBR AR45bp
	3120082	Diaphragm	3	BlueFlex™ AR45LFP
	3120081	Diaphragm	3	Viton
	3120085	Diaphragm	3	Desmopan
18	3120120	Retaining washer	3	
19	3120101	Hub pin AISI 316L	3	T220* (a) AR45LFP
	3120100	Hub pin AISI 316L	3	T220* (a) AR45bp
21	3120790	Nut M8 AISI 304	3	T180* (a) AR45LFP
	3120110	Nut M8 AISI 304	3	SS T180* AR45bp
22	3120020	Head	3	
25	1880450	Ring circlip Øi 14	6	
26	3120070	Piston Ø 54	3	
27	380300	Pin	3	
28	3120180	Connecting-rod	3	
29	1460490	Ring circlip Øi 47	2	
30	380230	Bearing	1	
31	1300120	Ring connecting rod	2	
32	3120500	Shaft marked DD	1	AR45bp/LFP C
33	3120160	Ring seal	1	
34	961790	Ring circlip Øi 68	1	
35	3240290	Shield	1	
36	320620	Washer	4	AR45bp
37	820670	Bolt TCEI M10x16	4	T90* AR45bp
38	3120380	Manifold	1	
	3120330	Manifold for GS25 Controller	1	Not Shown

Pos	Code	Description	Qty	Note
39	3120051	Manifold	1	
40	740290	O-ring Ø 14x1.78	1	
41	3120690	Plug	1	T15*
42	1140450	O-ring Ø 20.24x2.62	1	AR45bp
	1140451	O-ring Ø 20.24x2.62	1	Viton AR45LFP
44	3120440	Ring nut 1" G	1	
45	3120460	Elbow 1"	1	
61	620342	Bolt TE M10x20	4	SS T265* AR45LFP
	620340	Bolt TE M10x20	4	T265* AR45bp
62	3120140	Base	2	
63	880530	Plug 3/8" G	1	T180*
64	3120010	Pump body	1	
65	3120240	Oil sight glass	1	T180*
66	650920	O-ring Ø 53.65x2.62	1	
67	1040320	Cap red	1	
68	961780	Bearing	1	
69	720030	O-ring Ø 22.22x2.62	1	
70	3120271	Bolt TE M8x65	24	SS T90* AR45LFP
	3120270	Bolt TE M8x65	24	T90* AR45bp
71	3120640	Ring seal	1	
72	2840891	O-ring Ø 14x2	1	Viton AR45LFP
	2840890	O-ring Ø 14x2	1	AR45bp
73	3120170	Shaft marked DL	1	AR45bp/LFP SP
74	3120760	Washer	3	SS
75	2280950	Key	1	(d)
76	3129013	Complete Discharge manifold	1	AR45bp-SP
77	3129015	Complete inlet manifold	1	AR45bp
78	3129000	Piston ConRod assembly	3	Not shown

(a) Bolt with Loctite 242 thread lock STRONG  
(d) Supplied in kit applications.  
Not shown 3129016 Complete Inlet Manifold AR45LFP

\* Torque: in-lbs +/- 10%

Suggested Oil: AR64532D (32 oz)  
- Crankcase oil capacity: 13 oz

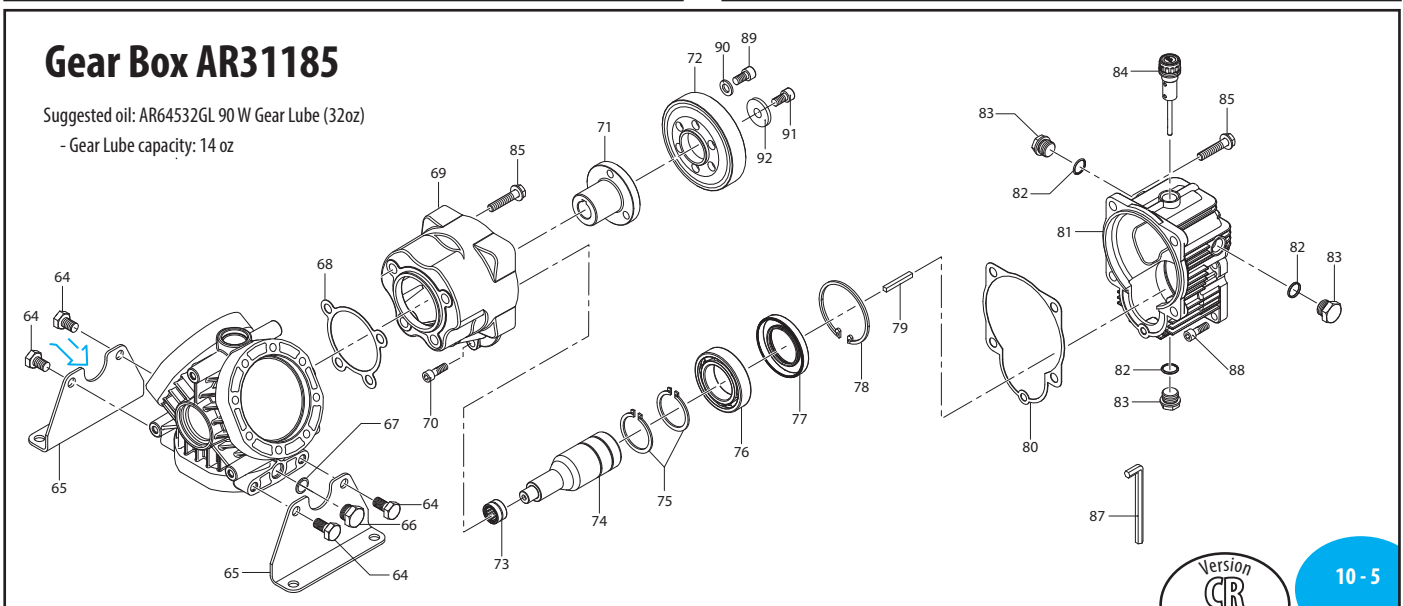
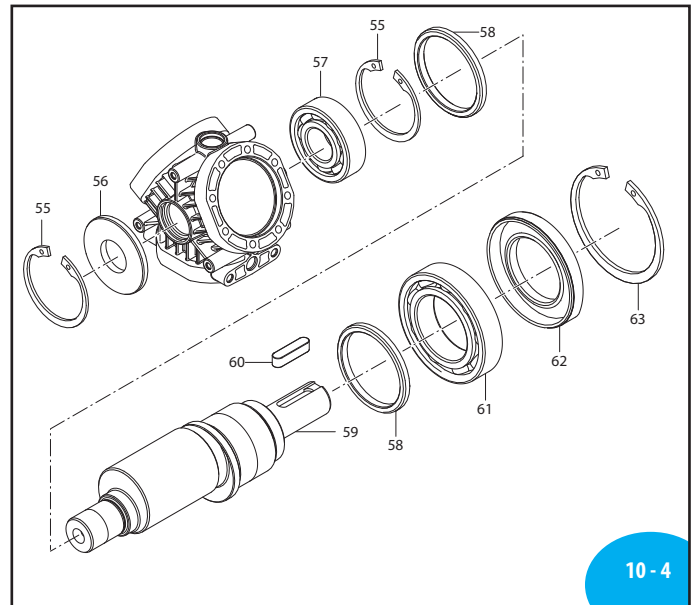
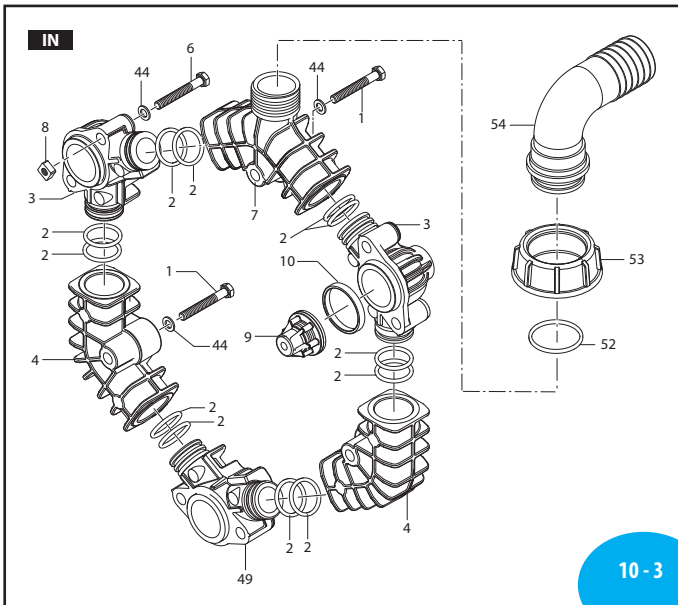
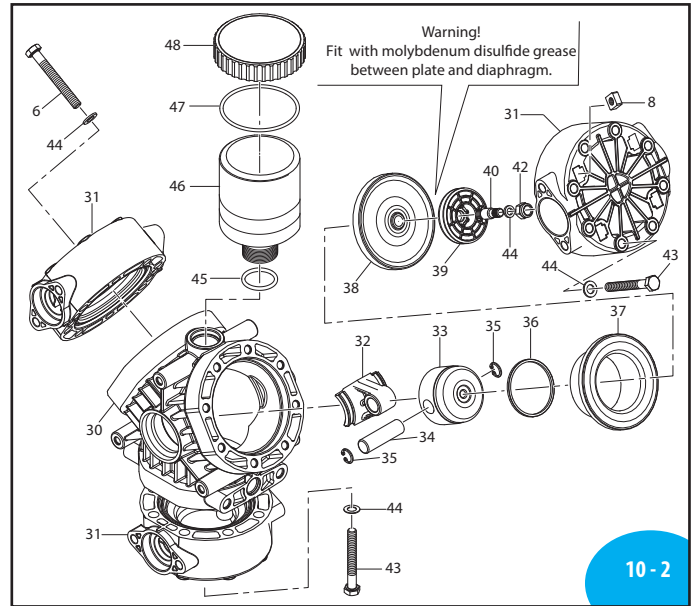
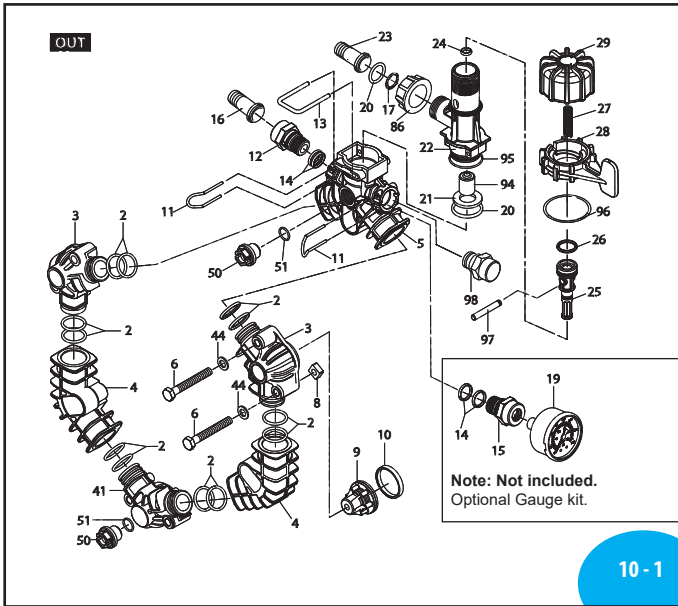
<b>AR 43239</b> BlueFlex diaphragms	
<b>AR 43236</b> NBR diaphragms	
<b>AR 43238</b> Viton diaphragms	
<b>AR 43237</b> Desmopan diaphragms	
Pos.	Qty
8	6
17	3

<b>AR 42524</b> Valves AR45bp	
<b>AR 42816</b> Valves AR45LFP	
Pos.	Qty
8	6
9	6

<b>AR 42525</b> O-Rings AR45bp	
<b>AR 43081</b> O-Rings AR45LFP	
Pos.	Qty
2	24
14	1
40	1
42	1
66	1
69	1
72	1

# A.R. NORTH AMERICA

## AR45LFP GR - GCI



# AR 45LFP GR - GCI

	GR-GCI
AR45LFP	31878

Low pressure

Pos	Code	Description	Qty	Note
1	621782	Bolt M8x40	6	SS T90*
2	720031	O-Ring Ø 22.22x2.62	24	Viton
3	3120050	Manifold	2	
4	3120060	Manifold	4	
5	3120330	Manifold	1	
6	3120250	Bolt M8x60	12	SS T90*
7	3120410	Manifold	1	
8	3120510	Nut M8	12	SS
9	3129051	Valve	6	
10	3120680	Gasket green	6	Viton
11	392580	Fork	2	
12	3120423	Fitting 3/8" G F	1	
13	3120320	Fork	1	
14	640071	O-Ring Ø 13.95x2.62	4	Viton
15	3120424	Plug	1	
16	3120820	Hose Barb Ø 13	1	
17	800211	O-Ring Ø 13.10x2.62	1	Viton
20	880831	O-Ring Ø 15.54x2.62	2	Viton
21	3120311	Seat	1	Ceramic
22	3120280	Body regulator	1	
23	3120470	Hose Barb Ø 20	1	
24	1123661	O-Ring Ø 7.59x2.62	1	Viton
25	3120290	Piston Upper	1	
26	480441	O-Ring Ø 17.13x2.62	1	Viton
27	3120370	Spring	1	
28	1880210	Ring nut	1	
29	1880220	Knob	1	
30	3120010	Pump body	1	
31	3120020	Head	3	
32	3120180	Connecting-rod	3	
33	3120070	Piston Ø 54	3	
34	380300	Pin	3	
35	1880450	Snap Ring Øi 14	6	
36	3120130	Piston ring	3	
37	3120090	Sleeve	3	
38	3120080	Diaphragm Øe 90	3	NBR
	3120081	Diaphragm Øe 90	3	Viton
	3120082	Diaphragm Øe 90	3	BlueFlex
	3120085	Diaphragm Øe 90	3	Desmopan
39	3120120	Retaining washer	3	
40	3120101	Hub pin AISI 316L	3	T220* (a)
41	3120051	Manifold	1	
42	3120110	Nut M8 AISI 304	3	T180*
43	3120270	Bolt M8x65	24	SS T90*
44	3120760	Washer	45	SS
45	720030	O-Ring Ø 22.22x2.62	1	
46	3120240	Sight glass	1	T180*
47	650920	O-Ring Ø 53.65x2.62	1	
48	1040320	Cap red	1	
49	3120050	Manifold	3	
50	3120690	Plug 3/8" G	2	T15*

Pos	Code	Description	Qty	Note
51	2840891	O-Ring Ø 14x2	2	Viton
52	1880460	O-Ring Ø 29x3	1	Viton
53	750670	Ring nut 1-1/2" G	1	
54	751200	Elbow Ø 32	1	
55	1460490	Snap Ring Øi 47	2	
56	3120640	Ring	1	
57	380230	Bearing	1	
58	1300120	Ring piston rod	2	
59	3120170	Shaft marked DL	1	
60	2280950	Key	1	
61	961780	Bearing	1	
62	3120160	Ring	1	
63	961790	Ring Øi 68	1	
64	620342	Bolt M10x20	4	SST265*
65	3120140	Base	2	
66	880530	Plug 3/8" G	1	T180*
67	740290	O-Ring Ø 14x1.78	1	
68	3120360	Gasket	1	
69	3120340	Flange	1	
70	180030	Bolt M8x20	1	T220*
71	3120350	Shaft	1	
72	651620	Gear Z=64	1	
73	620990	Bearing	1	
74	621660	Pinion Z=11	1	
75	320240	Snap Ring Øe 40	2	
76	961780	Bearing	1	
77	961800	Ring	1	
78	961790	Snap Ring Øi 68	1	
79	881090	Key	1	
80	620950	Gasket	1	
81	620960	Box	1	
82	740290	O-Ring Ø 14x1.78	3	
83	1980740	Plug 3/8" G brass	3	T180*
84	1140370	Dipstick	1	
85	540300	Bolt M10x30	8	T220*
86	3120430	Ring nut 3/4" G	1	
87	1380630	Allen Wrench	1	
88	651000	Bolt 5/16" 24 UNF 1"	4	Geomet T220*
89	620470	Bolt M10x20	3	T180*
90	200231	Washer	3	
91	880280	Bolt M6x18	1	T90*
92	780230	Washer	1	
94	3120301	Piston Lower	1	Ceramic
95	880311	O-Ring Ø 26.65x2.62	1	Viton
96	961241	O-Ring Ø 31.47x1.78	1	Viton
97	1880240	Pin	1	
98	3120424	Plug	1	

(a) Bolt with Loctite 242 thread lock STRONG  
 Not shown AR47267 Complete LFP Inlet Manifold  
 Not shown AR43883 Complete LFP Outlet Manifold  
 Not shown AR43821 Control Assembly

\* Torque: in-lbs +/- 10%

Suggested Oil: AR64532D (32 oz)  
 - Crankcase oil capacity: 13 oz

<b>AR 43239</b> BlueFlex diaphragms	
<b>AR 43236</b> NBR diaphragms	
<b>AR 43238</b> Viton diaphragms	
<b>AR 43237</b> Desmopan diaphragms	
Pos.	Qty
10	6
38	3

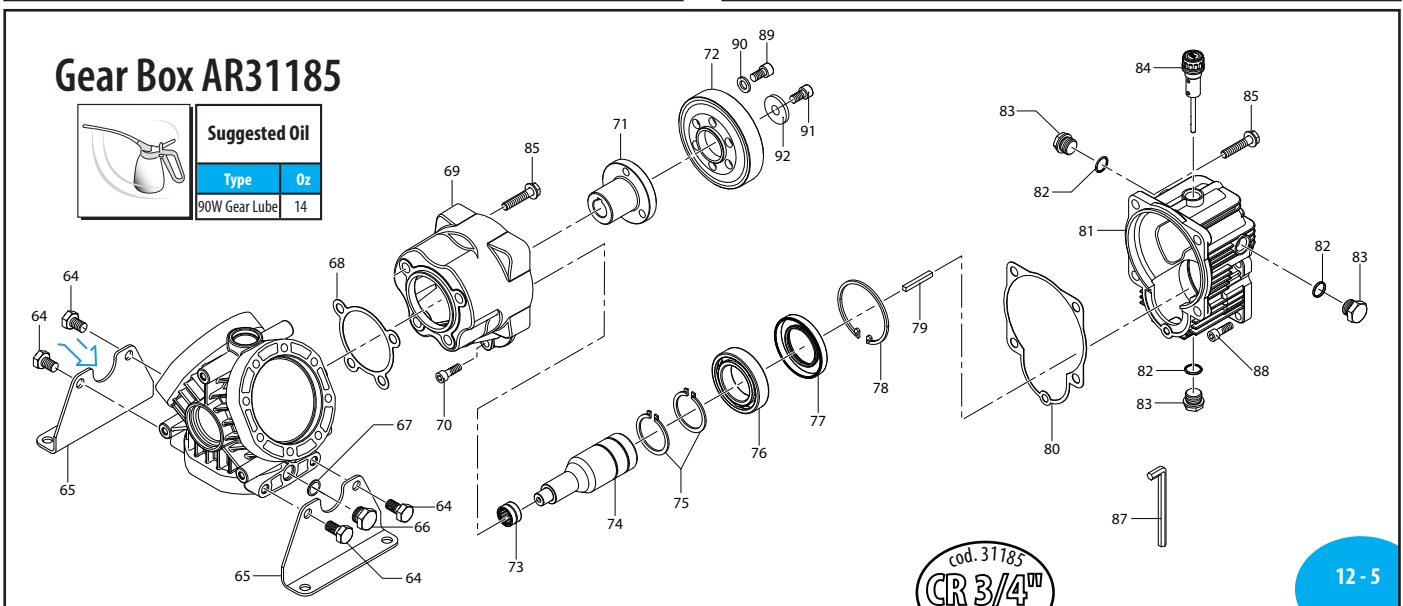
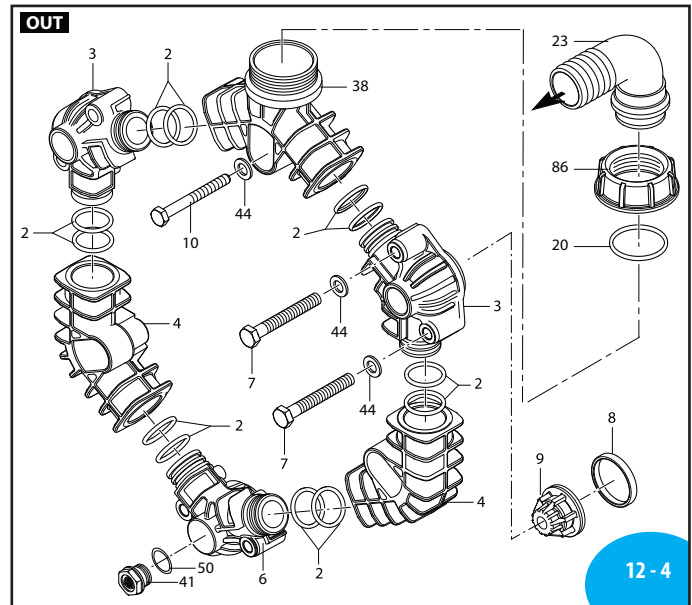
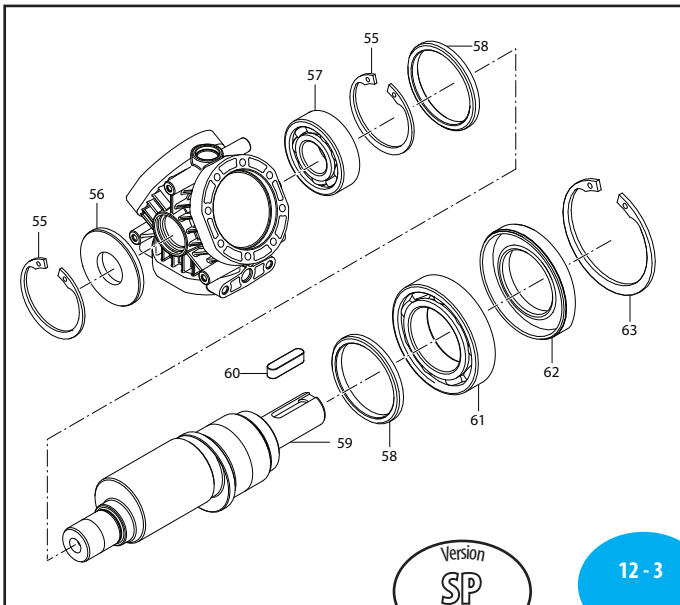
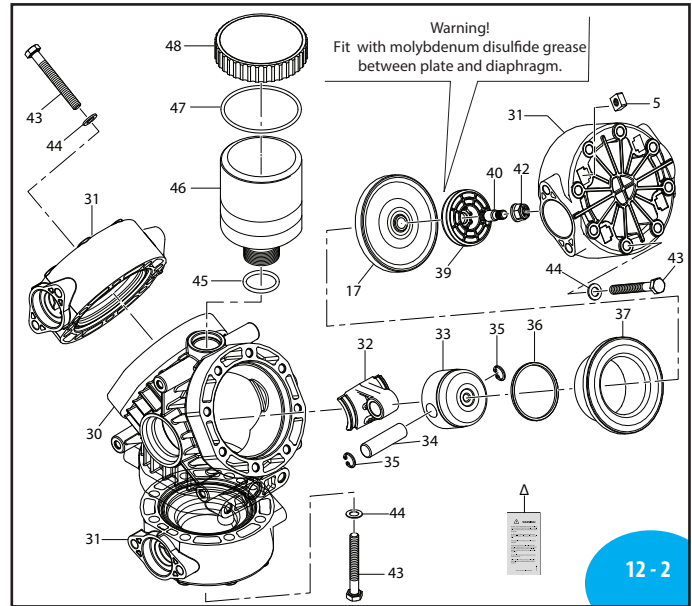
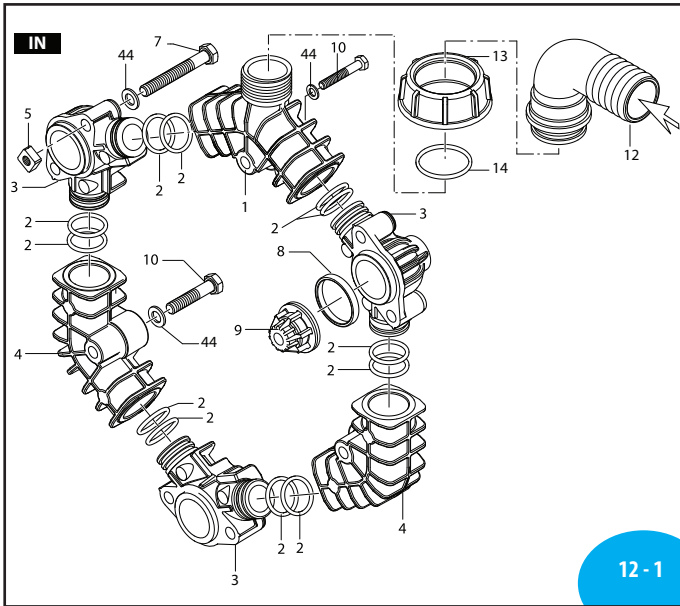
<b>AR 42816</b> Valves AR45LFP	
Pos.	Qty
9	6
10	6

<b>AR GAUGEKIT45</b> Gauge Kit	
<b>AR GAUGEKIT45SS</b> Stainless Steel Gauge Kit	
Pos.	Qty
14	2
15	1
19	1



# A.R. NORTH AMERICA

## AR45LFP GR



# AR 45LFP GR

	GR
AR45LFP	33410

Low pressure

Pos	Code	Description	Qty	Note
1	3120410	Inlet Manifold	1	
2	720031	O-ring Ø 22.22x2.62	24	Viton
3	3120050	Manifold	5	
4	3120060	Manifold	4	
5	3120510	Nut M8	12	SS
6	3120051	Manifold	1	
7	3120250	Bolt M8x60	12	SS T88*
8	3120680	Gasket	6	Viton
9	3129051	Valve	6	
10	621782	Bolt M8x40	6	SS T88*
12	751200	Elbow Ø 32	1	
13	750670	Ring nut 1-1/2* G	1	
14	1880460	O-ring Ø 29x3	1	Viton
17	3120082	Diaphragm Øe 90	3	BlueFlex™
20	1140451	O-ring Ø 20.24x2.62	1	Viton
23	3120460	Elbow Ø25	1	
30	3120010	Pump body	1	
31	3120020	Head	3	
32	3120180	Connecting-rod	3	
33	3120070	Piston Ø 54	3	
34	380300	Pin	3	
35	1880450	Snap ring Øi 14	6	
36	3120130	Piston ring	3	
37	3120090	Sleeve	3	
38	3120380	Manifold	1	
39	3120120	Retaining washer	3	
40	3120101	Hub pin AISI 316L	3	T221* (a)
41	3120690	Plug 3/8* G	1	T44*
42	3120790	Nut M8 AISI 316L	3	T177*
43	3120270	Bolt M8x65	24	SS T88*
44	3120760	Washer	42	SS
45	720030	O-ring Ø 22.22x2.62	1	
46	3120240	Sight glass	1	T177*
47	650920	O-ring Ø 53.65x2.62	1	
48	1040324	Cap red	1	
50	2840891	O-ring Ø 14x2	1	Viton
55	1460490	Snap ring Øi 47	2	
56	3120640	Ring	1	
57	380230	Bearing	1	
58	1300120	Ring	2	
59	1320170	Shaft marked DL	1	
60	2280950	Key	1	
61	961780	Bearing	1	
62	3120160	Ring	1	
63	961790	Snap ring Øi 68	1	
64	620342	Bolt M10x20	4	SS T265*
65	3120140	Base	2	
66	880530	Plug 3/8* G	1	T177*
67	740290	O-ring Ø 14x1.78	1	
68	3120360	Gasket	1	
69	6120340	Flange	1	

Pos	Code	Description	Qty	Note
70	180030	Bolt M8x20	1	T221*
71	3120350	Shaft	1	
72	651620	Gear Z=64	1	
73	620990	Bearing	1	
74	621660	Pinion Z=11	1	
75	620240	Snap ring Øe 40	2	
76	961780	Bearing	1	
77	961800	Ring	1	
78	961790	Snap ring Øi 68	1	
79	881090	Key	1	
80	620950	Gasket	1	
81	620960	Body	1	
82	740290	O-ring Ø 14x1.78	3	
83	1980740	Plug 3/8* G Brass	3	T180*
84	1140370	Dipstick	1	
85	540300	Bolt M10x30	8	T221*
86	3120440	Ring nut 1* G	1	
87	1380630	Allen Wrench	1	
88	651000	Bolt 5/16* 24 UNF 1*	4	T220*
89	620470	Bolt M10x20	3	T177*
90	200231	Washer	3	
91	880280	Bolt M6x18	1	T90*
92	780230	Washer	1	

(a) Bolt with Loctite 242 thread lock STRONG

\* Torque: in-lbs +/- 10%

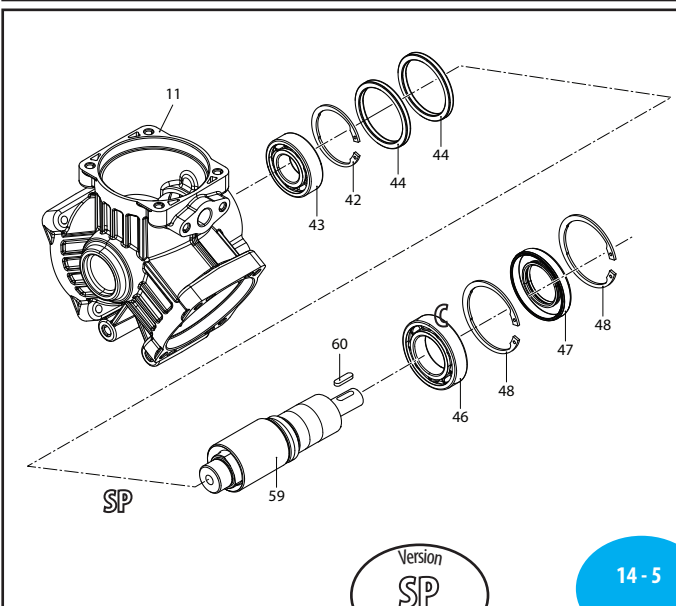
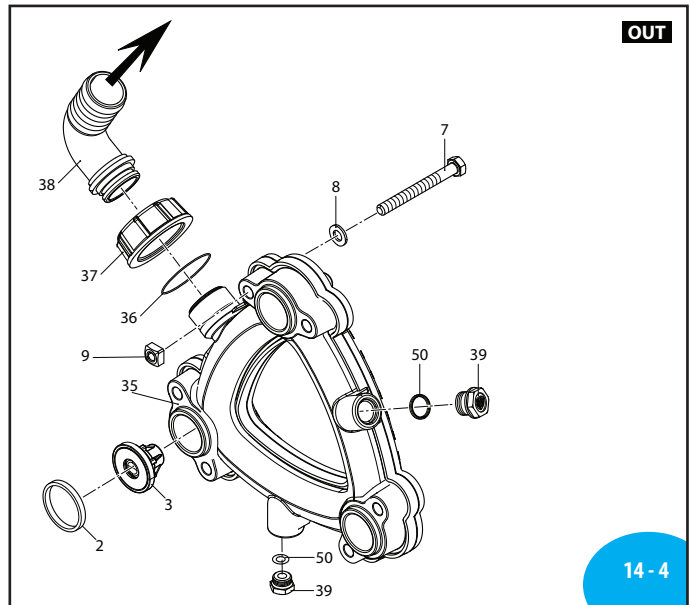
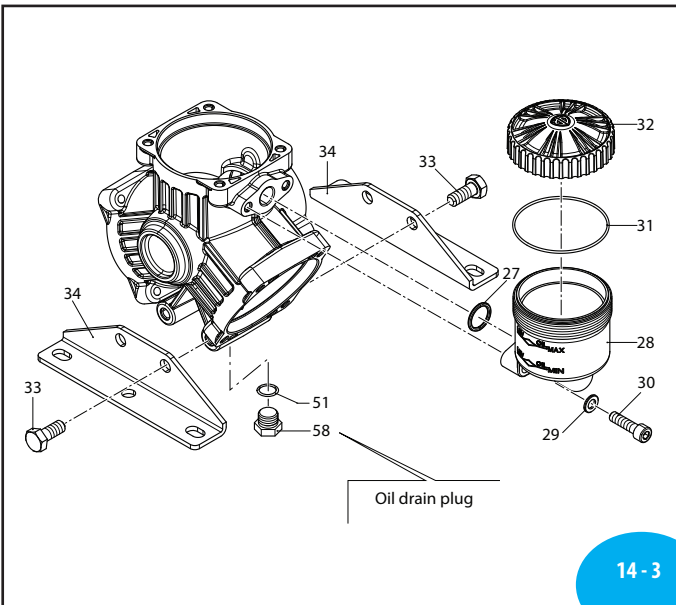
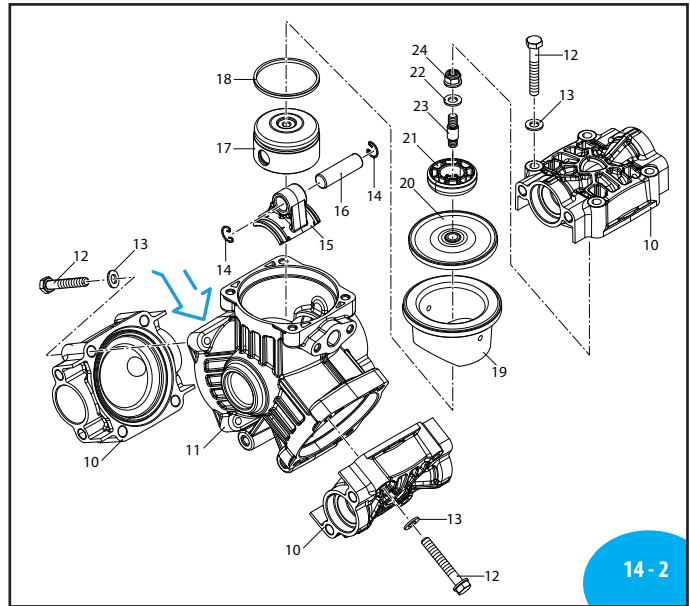
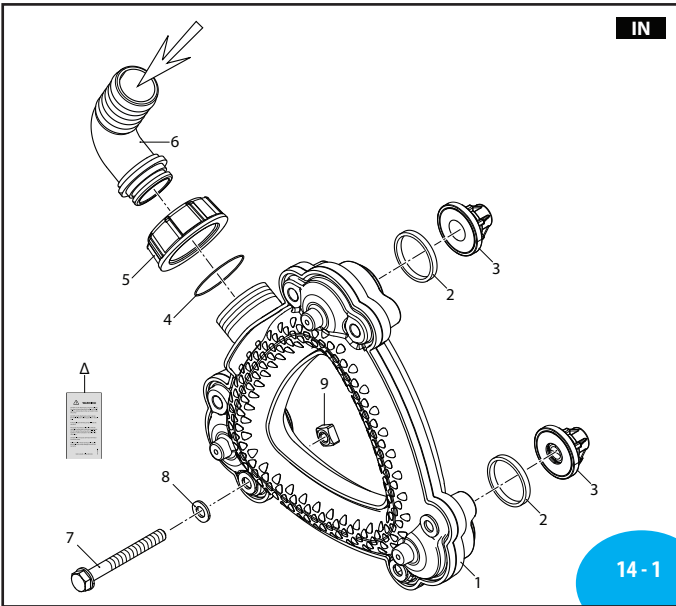
Suggested Oil: AR64532D (32 oz)  
- Crankcase oil capacity: 13 oz

AR 43239	
BlueFlex diaphragms	
Pos.	Qty
10	6
38	3

AR 42816	
Valves	
Pos.	Qty
9	6
10	6

# A.R. NORTH AMERICA

## AR 75 LFP



# AR 75 LFP

	SP BlueFlex™
AR70LFP	33282

Low pressure

Pos	Code	Description	Qty	Note
1	4800110	Manifold	1	
2	3120680	Gasket	6	Viton
3	3129051	Valve	6	
4	880311	O-ring Ø 26.65x2.62	1	Viton
5	651100	Ring nut 1 1/4" G	1	
6	622080	Hose barb 1 1/4"	1	
7	1140432	Bolt M8x75	12	SST133*
8	390315	Washer	11	SS
9	3120510	Nut M8	12	SS
10	4800030	Head	3	
11	4800010	Pump body	1	
12	800861	Bolt M8x55	12	SST177*
13	390315	Washer	12	SS
14	380080	Snap ring Øi 14	6	
15	4800040	Connecting-rod	3	
16	380300	Pin	3	
17	4800190	Piston	3	
18	4800200	Piston ring	3	
19	4800210	Sleeve	3	
20	3120082	Diaphragm Øe 90	3	BlueFlex™
21	4800020	Retaining washer	3	
23	3120101	Hub pin AISI 316L	3	T221*
24	3120790	Nut M8 AISI 316L	3	T177*
27	390180	O-ring Ø 18.72x2.62	1	
28	4700030	Sight glass	1	
29	380245	Washer	2	SS
30	620612	Bolt M8x30	2	SST88*
31	1040060	O-ring Ø 72.69x2.62	1	
32	750050	Cap red	1	
33	650642	Bolt M10x25	4	SST442*
34	4800060	Base	2	
35	4800130	Manifold	1	
36	1140451	O-ring Ø 20.24x2.62	1	Viton
37	3120440	Ring nut 1" G	1	
38	3120460	Hose barb 1"	1	
39	3120690	Plug 3/8" G	2	T18*
42	1260790	Snap ring Øi 52	1	
43	1320370	Bearing	1	
44	3460090	Ring Connecting rod	2	
46	621130	Bearing	1	
47	230380	Ring	1	
48	200390	Snap ring Øi62	2	
50	2840891	O-ring Ø 14x2	2	Viton

Pos	Code	Description	Qty	Note
51	820510	O-ring Ø 10.82x1.78	1	
58	880581	Oil drain plug 1/4" G	1	T177*
59	4800320	Shaft marked GE	1	SP version
60	2460480	Key	1	

\* Torque: in-lbs +/- 10%

Suggested Oil: AR64532D (32 oz)  
- Crankcase oil capacity: 19 oz

AR 43080 BlueFlex diaphragms	
Pos.	Qty
20	3

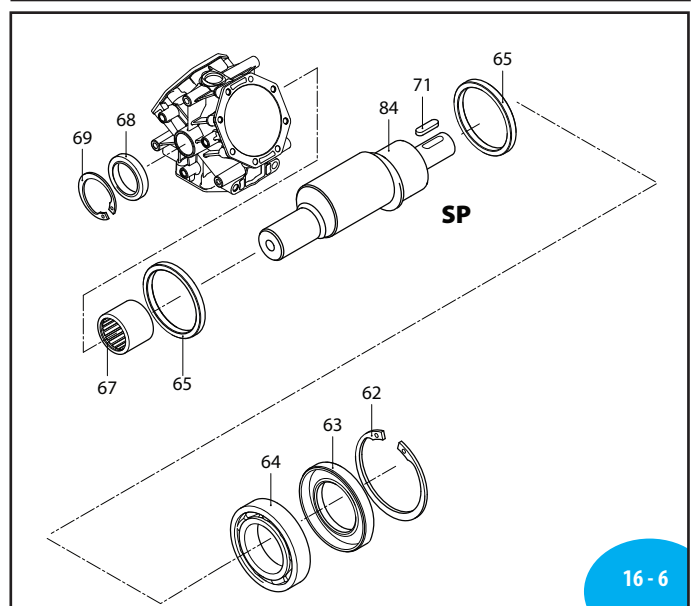
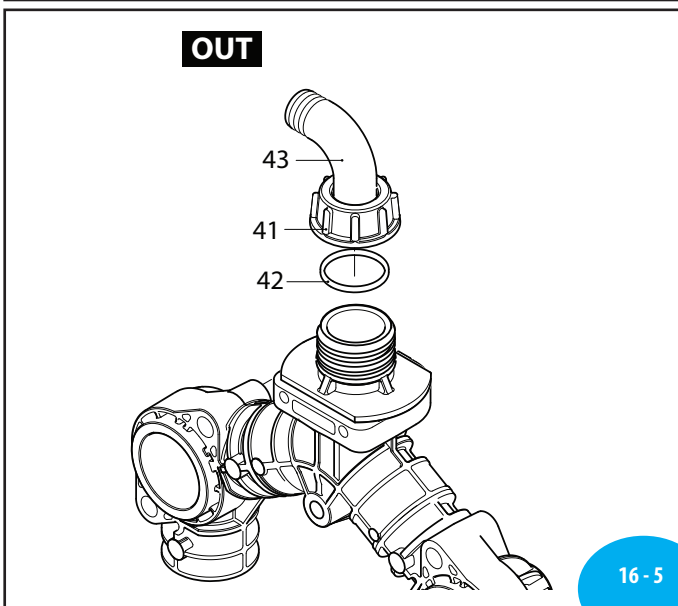
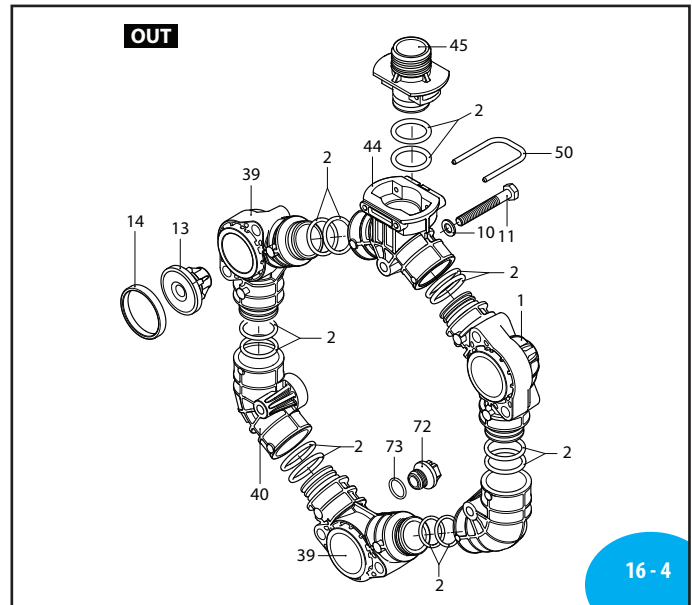
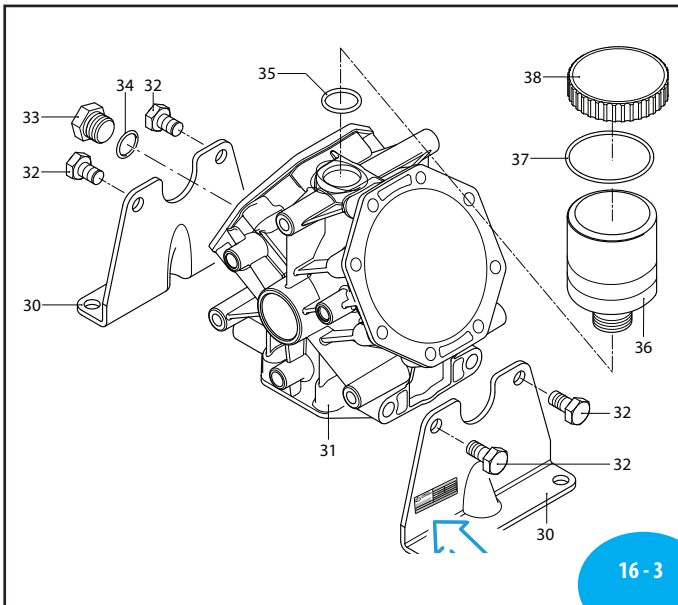
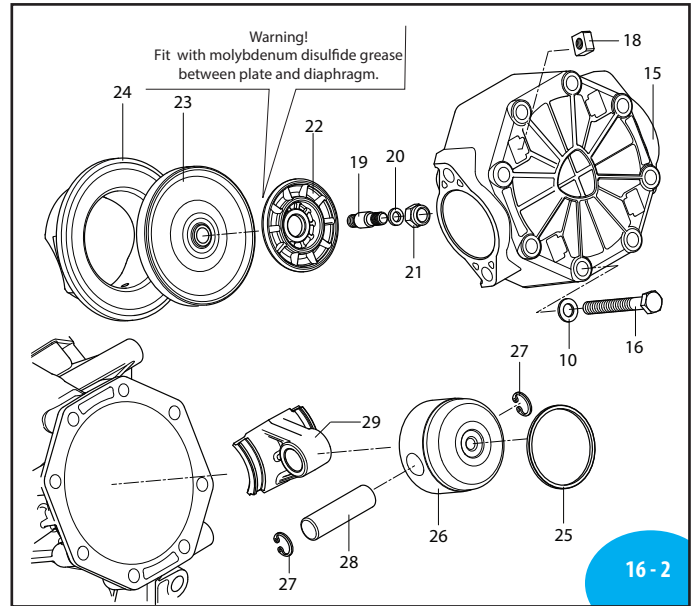
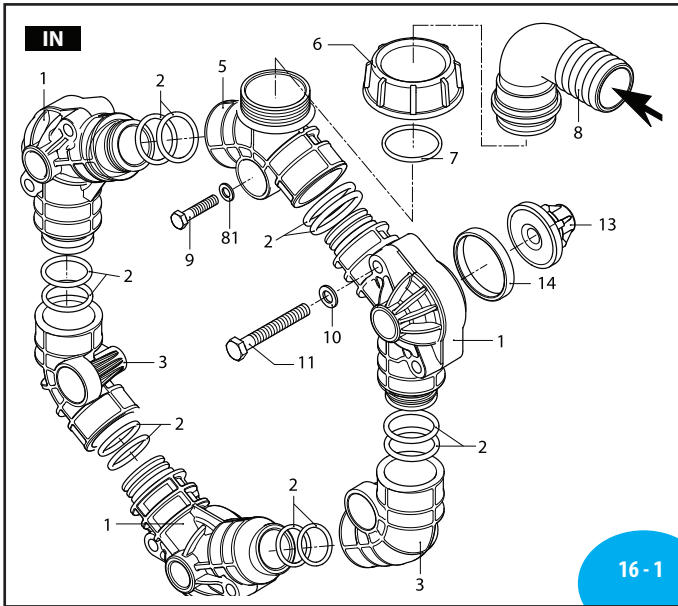
AR 42816 Valves	
Pos.	Qty
2	6
3	6

AR 46142 O-Rings	
Pos.	Qty
4	1
27	1
31	1
36	1
50	1
51	1



# A.R. NORTH AMERICA

## AR60LFP-SP / AR80LFP-SP



# AR60LFP-SP / AR80LFP-SP

	SP
AR60LFP	33154
AR80LFP	33086

Low pressure

Pos	Code	Description	Qty	Note
1	3240030	Manifold	closed vavle	5
2	390292	O-ring	Ø 28.25x2.62	24 Viton
3	3240040	Manifold	asp./mandate	4
5	3240050	Manifold	asp. Threaded	1
6	750670	Ring nut	1-1/2" G	1
7	1880460	O-ring	Ø 29x3	1 Viton
8	50267	Elbow	Ø 40	1
9	324280	Bolt	TE M8x55	6 SST106*
10	3120760	Washer		36 SS
11	380211	Bolt	TE M8x75	12 SST88*
13	2429051	Valve	AISI 316L	6
14	3460380	Gasket		6 Viton
15	3240020	Head		3
16	621771	Bolt	TE M8x80	24 SST124*
18	3120510	Nut	M8	12 SS
19	3240101	Hub pin	AISI 316L	3 T265*
20	320622	Washer		3 SS
21	2240670	Nut	M10 AISI 316L	3
22	6240110	Retaining washer		3 BlueFlex™
23	1040083	Diaphragm	Øe 105	3
24	3240130	Sleeve		3
25	650190	Piston ring		3
26	1040120	Piston	Ø 63	3
27	1040270	Ring	Seeger Øi 15	6
28	1040070	Pin		3
29	3240120	Connecting-rod		3
30	3240090	Base		2
31	3240010	Pump body		1
32	620342	Bolt	TE M10x20	4 SST265*
33	880530	Plug	3/8" G	1 T177*
34	740290	O-ring	Ø 14x1.78	1
35	720030	O-ring	Ø 22.22x2.62	1
36	3120240	Oil sight glass		1 T177*
37	650920	O-ring	Ø 53.65x2.62	1
38	1040324	Cap	red	1
39	3240031	Manifold		1
41	3120440	Ring nut	1" G	1
42	1140451	O-ring	Ø 20.24x2.62	1 Viton
43	3120460	Elbow	Ø 25	1
44	3240080	Manifold	per controller	1
45	3240460	Threaded adapter		1
50	3460210	Fork		1
62	961790	Ring	Seeger Øi 68	1
63	3120160	Ring	Seal	1
64	961780	Bearing		1
65	3240320	Ring		2
67	3460110	Bearing		1
68	1300230	Ring	Seal	1

Pos	Code	Description	Qty	Note
69	480900	Ring	seeger Øi 35	1
71	2280950	Key		1 (d)
72	3120690	Plug	3/8" G	1 C2
73	2840891	O-ring	Ø 14x2	1 Viton
74	621782	Bolt	TE M8x40	6 SST177*
81	390315	Washer		6 SS
84	3240190	Shaft	SP marcate EB	1 AR80
84	3240180	Shaft		1 AR60
85	3240460	Adaptor	1" G	1
86	550351	O-ring	Ø 23.81x2.62	2 Viton

(a) Bolt with Loctite 242 thread lock STRONG.  
 (d) Supplied in kit applications.

\* Torque: in-lbs +/- 10%

Suggested Oil: AR64532D (32 oz)  
 - Crankcase oil capacity: 13 oz

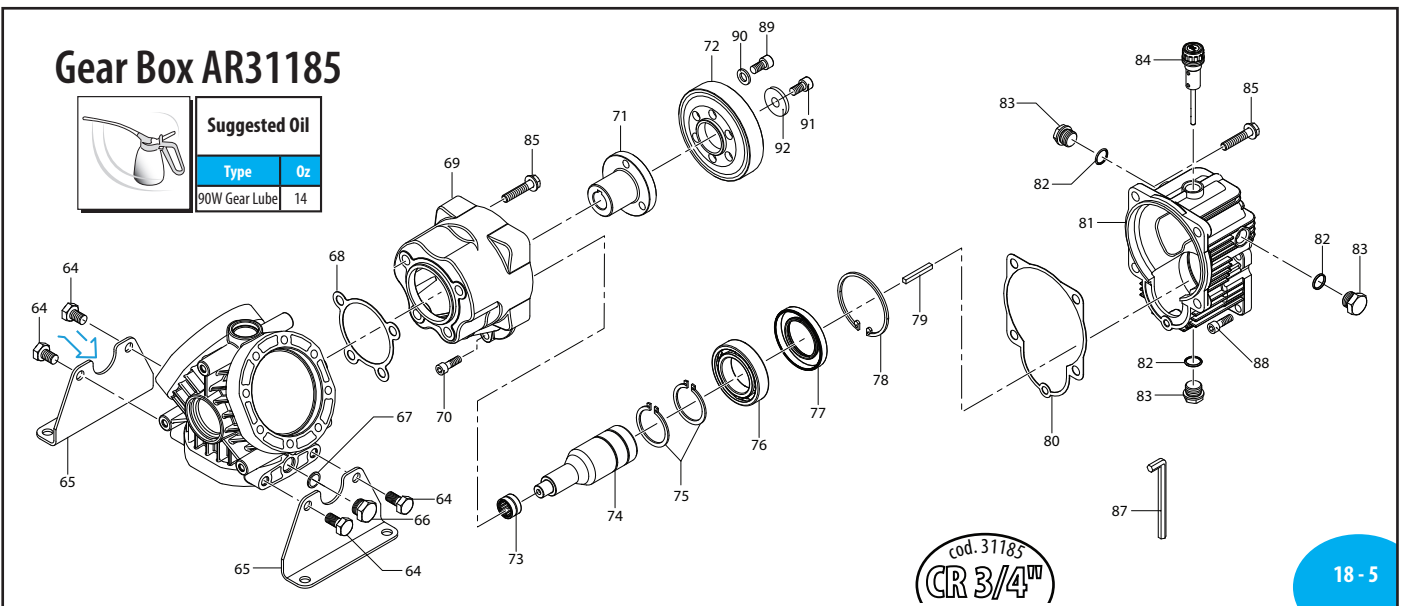
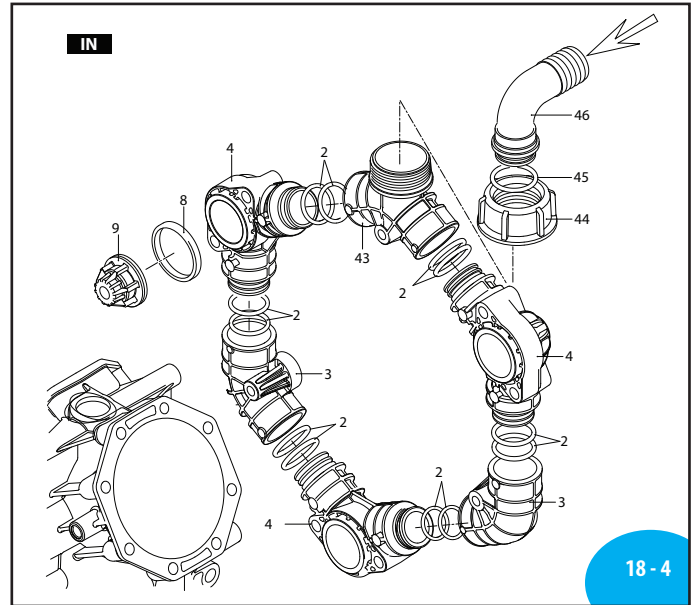
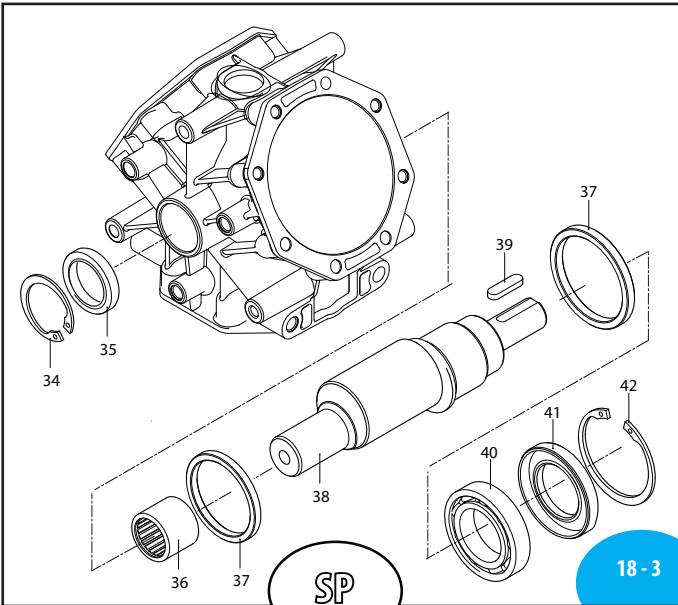
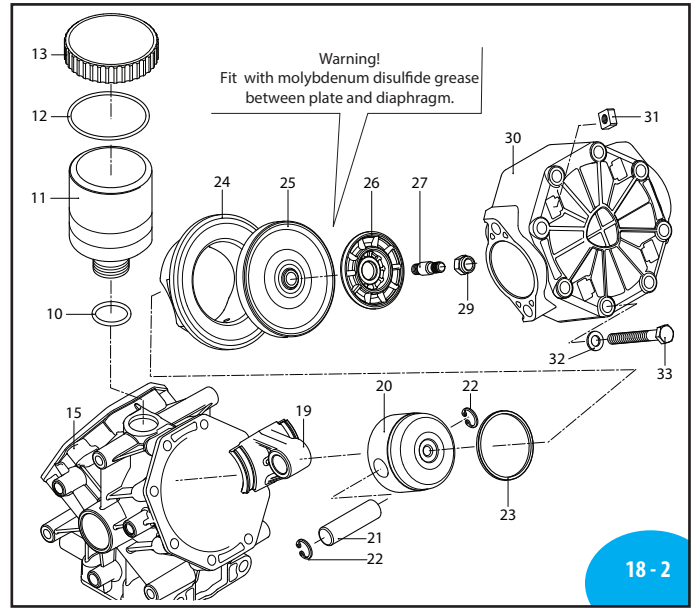
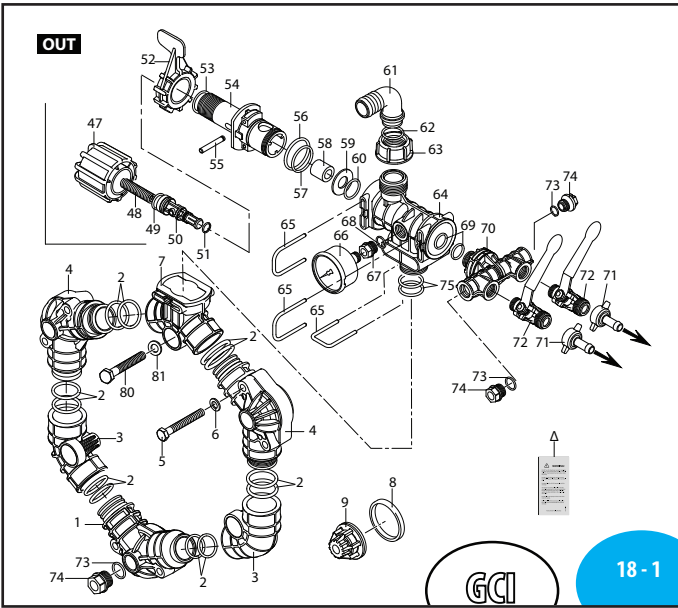
<b>AR 43247</b> BlueFlex diaphragms	
<b>AR 43244</b> NBR diaphragms	
<b>AR 43246</b> Viton diaphragms	
<b>AR 43245</b> Desmopan diaphragms	
<b>Pos.</b>	<b>Qty</b>
13	6
14	6
14	6
23	3
45	2
47	1

<b>AR 43138</b> Valves - AR80LFP	
<b>AR 42805</b> Valves - AR80bp	
<b>Pos.</b>	<b>Qty</b>
13	6
14	6

<b>AR 42857</b> O-Rings	
<b>AR 80 BP</b> O-Rings	
<b>AR 43128</b> O-Rings	
<b>AR 80 LFP</b> O-Rings	
<b>Pos.</b>	<b>Qty</b>
2	24
7	1
34	1
35	1
37	1
42	1
45	2
52	1
57	1
58	1
73	1

# A.R. NORTH AMERICA

## AR 60LFP / AR 80LFP GR



# AR 60LFP / AR 80LFP GR

Low pressure

Pos	Code	Description	Qty	Note
1	3240031	Manifold 3/8" G	1	
2	390292	O-ring Ø 28.25x2.62	24	Viton
3	3240040	Manifold	4	
4	3240030	Manifold	5	
5	380211	Bolt	12	SS T88*
6	3120760	Washer	12	SS
7	3240080	Manifold	1	
8	3460380	Gasket	6	Viton
9	2429051	Valve AISI 316L	6	
10	720030	O-ring Ø 22.22x2.62	1	
11	3120240	Oil reservoir	1	T177*
12	650920	O-ring Ø 53.65x2.62	1	
13	1040322	Cap	1	
15	3240010	Pump body	1	
16	620342	Bolt TE M10x20	4	SST265*
17	880530	Plug 3/8" G	1	T177*
18	740290	O-ring Ø 14x1.78	1	
19	3240120	Connecting-rod	3	
20	1040120	Piston Ø 63	3	
21	1040070	Pin	3	
22	1040270	Ring Circlip Øi 15	6	
23	650190	Piston ring	3	
24	3240140	Sleeve	3	
25	1040082	Diaphragm Øe 105	3	Viton
26	3240110	Plate	3	
27	3240101	Hub pin AISI 316L	3	T265* (a)
29	2240670	Nut M 10 AISI 316L	3	T177**
30	3240020	Head	3	
31	3120510	Nut M8	12	SS
32	3120760	Washer	24	SS
33	621771	Bolt TE M8x80	24	SS T124*
34	480900	Ring Circlip Øi 35	1	
35	1300230	Ring	1	
36	3460110	Bearing	1	
37	3240320	Ring	2	
38	3240180	Shaft	1	AR60LFP
39	3240190	Shaft	1	AR80LFP
39	2280950	Key	1	
40	961780	Bearing	1	
41	3120160	Ring	1	
42	961790	Ring Circlip Øi 68	1	
43	3240050	Manifold	1	
44	750670	Ring nut 1-1/2" G	1	
45	1880460	O-ring Ø 29x3	1	Viton
46	50267	Elbow Ø 40	1	
47	3240440	Knob	1	
48	3240410	Spring	1	
49	480441	O-ring Ø 17.13x2.62	1	Viton
50	3240380	Piston	1	
51	391001	O-ring Ø 9.13x2.62	1	Viton
52	1880210	Ring nut	1	
53	961240	O-ring Ø 31.47x1.78	1	
54	3240360	Body	1	

Pos	Code	Description	Qty	Note
55	1880240	Pin	1	
56	660171	O-ring Ø 31.42x2.62	1	
57	394211	O-ring Ø 29.82x2.62	1	Viton
58	3240391	Piston	1	
59	3240421	Plug	1	
60	720031	O-ring Ø 22.22x2.62	1	Viton
61	3120460	Elbow Ø 25	1	
62	1140451	O-ring Ø 20.24x2.62	1	Viton Green
63	3120440	Ring nut 1" G	1	
64	3240350	Box	1	
65	3460210	Fork	3	
66	3240750	Pressure gauge Ø 50	1	to 220 PSI
67	1880250	Fitting	1	
68	2840891	O-ring Ø 14x2	1	Viton Green
69	480441	O-ring Ø 17.13x2.62	2	Viton
70	3240450	Body	1	
71	110130	Ring nut 1/2" G	2	
72	1880492	Valve 3/8"G-1/2"GM-M SX	2	
73	2840891	O-ring Ø 14x2	3	Viton Green
74	3120690	Plug 3/8" G	3	T177*
75	550351	O-ring Ø 23.81x2.62	2	Viton
77	961800	Ring	1	
78	961790	Ring Circlip Øi 68	1	
79	881090	Key	1	
80	3240280	Bolt TE M8x55	6	SS C12
81	390315	Washer	6	SS
83	1980740	Plug Brass 3/8" G	3	T177**
84	1140370	Dipstick	1	
85	540300	Bolt TCEI M10x30	8	T217*
87	1380630	Key	1	
88	651000	Bolt TCEI 5/16" 24 UNF 1"	4	T217*
89	620470	Bolt TCEI M10x20	3	T177**
90	200231	Washer	3	
91	880280	Bolt TCEI M6x18	1	T88*
92	780230	Washer	1	
98	180030	Bolt TCEI M8x20	1	T217*
99	620950	Gasket	1	
100	651620	Gear Z=64	1	
101	3120350	Shaft	1	
102	3120360	Gasket	1	
103	320240	Ring Circlip Øe 40	2	
104	620960	Box	1	
105	620990	Bearing	1	
106	621660	Pinion Z=11	1	
107	740290	O-ring Ø 14x1.78	3	
108	961780	Bearing	1	
109	3120340	Flange	1	
110	3240090	Base	2	

(a) Bolt with Loctite 242 thread lock STRONG

47264 Complete Inlet Manifold LFP GCI  
47265 Complete Outlet Manifold LFP GCI

\* Torque: in-lbs +/- 10%

Suggested Oil: AR64532D (32 oz)  
- Crankcase oil capacity: 13 oz

AR 42995 O-Rings	
Pos.	Qty
2	24
8	6
12	1
18	1
45	1
51	1
56	1
57	1
60	1
62	1
68	1
69	2
73	3

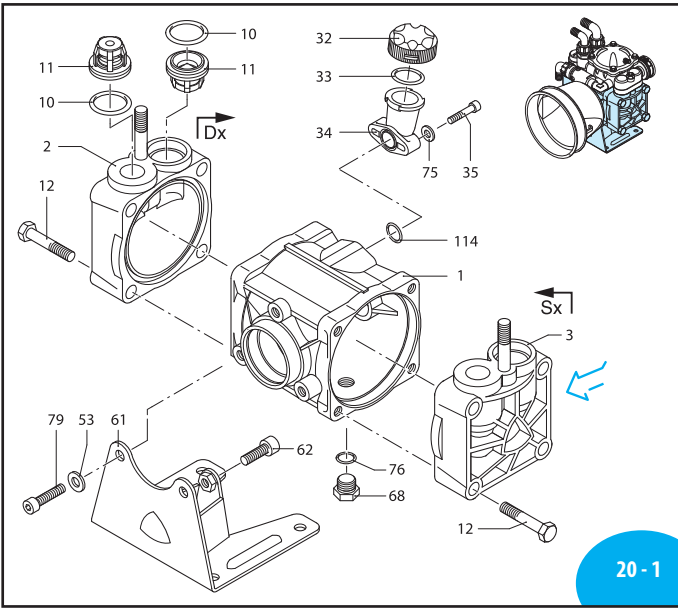
AR 42804 BlueFlex diaphragms	
Pos.	Qty
25	3

AR 43138 Valves	
Pos.	Qty
8	6
9	6

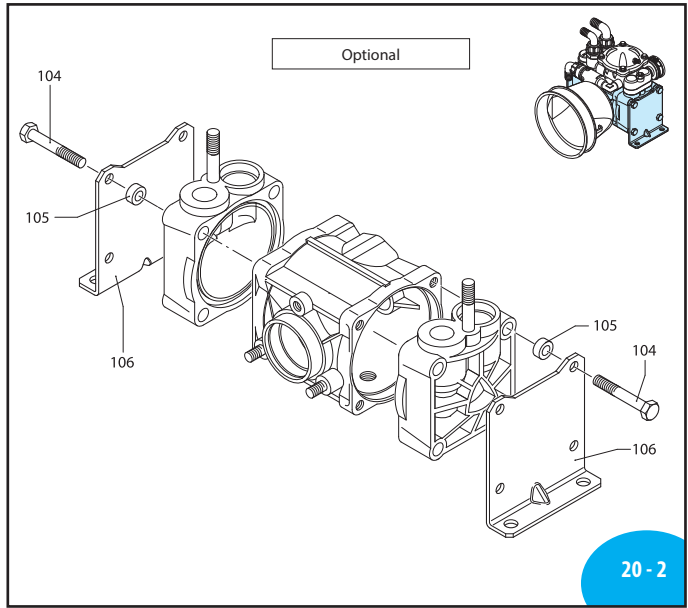


# A.R. NORTH AMERICA

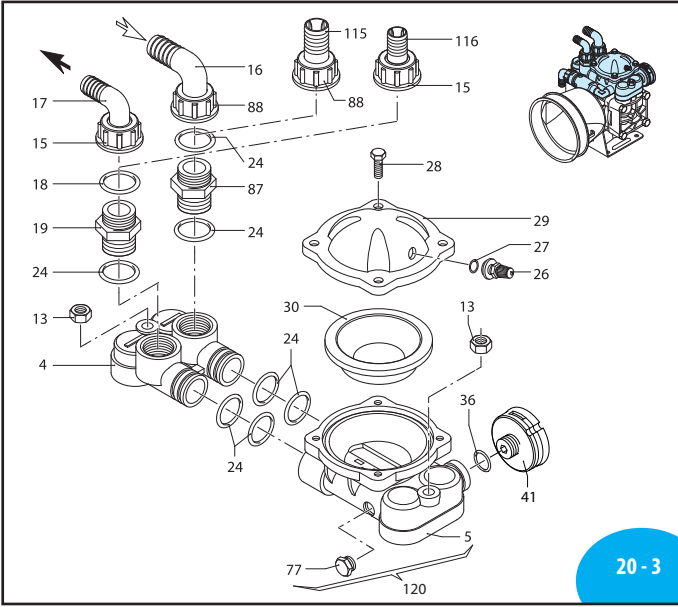
## AR 70 bp



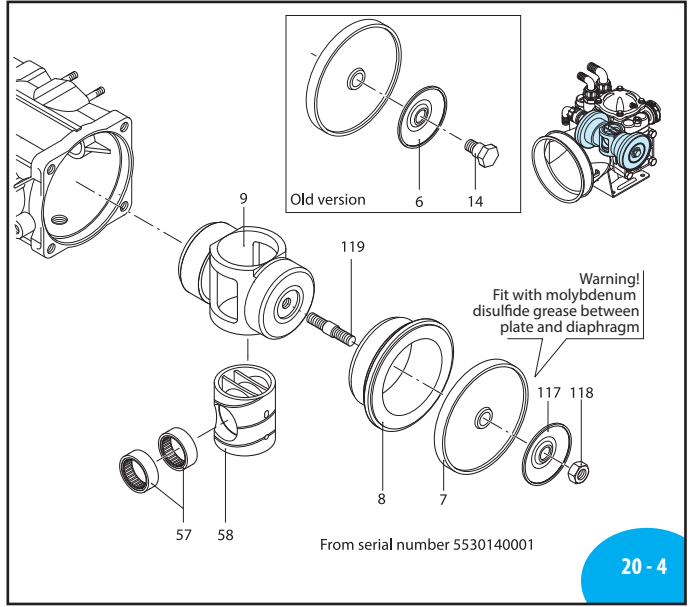
20 - 1



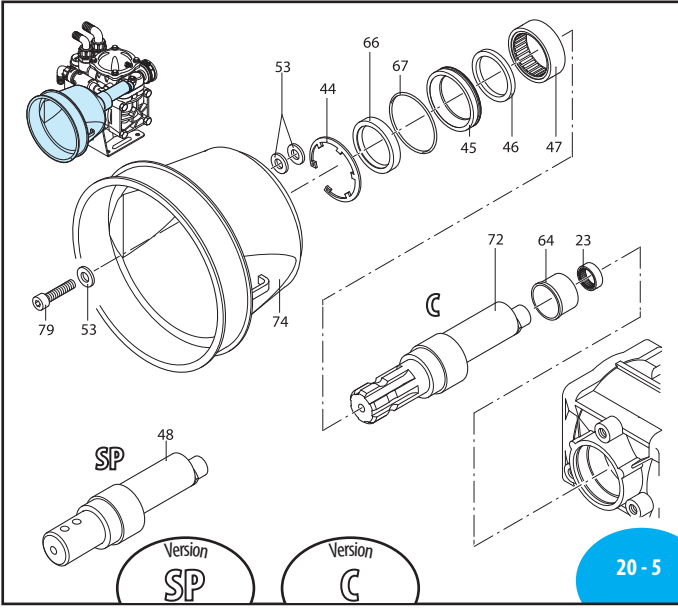
20 - 2



20 - 3



20 - 4



20 - 5



# AR 70 bp

	C	SP	GR3/4
AR70bp	33156	31698	31700

Low pressure

Pos	Code	Description	Qty	Note
1	550011	Pump body	11	
2	550101	Head	1	
3	550102	Head	1	
4	550150	Fitting	1	
5	550180	Semi air chamber lower	1	
6	580370	Retaining washer hole Ø 14	2	(b)
	550080	Diaphragm	2	NBR
	550081	Diaphragm	2	BlueFlex™
	550084	Diaphragm	2	Viton
	550085	Diaphragm	2	Desmopan
	550086	Diaphragm	2	HPDS
8	550110	Sleeve	2	
9	550120	Piston Ø 75	1	
10	320030	O-ring Ø 31.5x4.5	4	90Sh
11	759054	Valve	4	
12	551040	Bolt TE M10x55	8	Geomet T355*
13	180152	Nut M10	2	Geomet T355*
14	580360	Hub pin	2	T265* (b)
15	550880	Ring nut 1" G	1	
16	580040	Elbow 1 1/4"	1	
17	550370	Elbow 1"	1	
18	550350	O-ring Ø 23.81X2.62	1	
19	550340	Fitting 1" G M-M	1	
23	550310	Bushing	1	
24	390290	O-ring Ø 29x3	7	
26	550300	Air valve	1	T25*
27	650542	Gasket	1	
28	550680	Bolt TE M8x20	4	Geomet T180*
29	550233	Semi air chamber upper	1	Black
	550190	Diaphragm air chamber	1	NBR
	550194	Diaphragm air chamber	1	BlueFlex™
	550192	Diaphragm air chamber	1	Viton
	550193	Diaphragm air chamber	1	HPDS
32	550052	Plug	1	black
33	550040	O-ring Ø 26.65x2.62	1	
34	550030	Sight glass	1	
35	850851	Bolt TCEI M6x30	2	Geomet T90*
36	180101	O-ring Ø 17.5x2	1	
41	46730	Diaphragm	1	
44	200391	Ring circlip Øi 62	1	
45	550470	Bushing seal ring	1	
46	550070	Washer	1	
47	550060	Bushing	1	

Pos	Code	Description	Qty	Note
48	550170	Shaft marked AL	1	SP
53	320621	Washer	5	Geomet
54	659209	Diaphragm	1	
57	550280	Bushing	2	
58	550140	Cylinder trolling piston	1	
61	580080	Base	1	
62	540301	Bolt TCEI M10x30	1	Geomet T355*
64	550160	Spacer	1	
66	550491	Ring seal	1	
67	650920	O-ring Ø 53.65x2.62	1	
68	880530	Plug 3/8" G	1	T180*
72	550173	Shaft marked AM	1	C
74	1500350	Shield	1	
75	550332	Washer	2	Geomet
76	740290	O-ring Ø 14x1.78	1	
77	330173	Plug 1/2" G	1	Geomet T180*
78	881560	Fitting 1/2" G M-F	1	
79	620472	Bolt M10x20	2	
87	450120	Fitting 1" G - 1" 1/4 G M-M	1	
88	550870	Ring nut 1" 1/4 G	1	
104	1300361	Bolt TE M10x65	8	Geomet T355*
105	551030	Spacer	8	
106	551020	Base	2	
114	180101	O-ring Ø 17.5x2	1	
115	580280	Hose barb 1 1/4"	1	optional
116	550210	Hose barb 1"	1	optional
117	580371	Retaining washer hole Ø 10	2	(a)
118	2240110	Nut M10	2	SS T220* (a)
119	2240100	Stud	2	(a) T265*
120	559200	Lower chamber assy	1	

(a) From serial number 5530140001.  
(b) Up to serial number 5529149999.

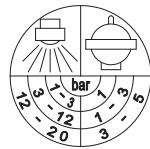
\* Torque: in-lbs +/- 10%

Suggested Oil: AR64532D (32 oz)  
- Crankcase oil capacity: 24 oz

<b>AR 43243</b> BlueFlex diaphragms	
<b>AR 43240</b> NBR diaphragms	
<b>AR 43241</b> Desmopan diaphragms	
Pos.	Qty
7	2
10	4
30	1

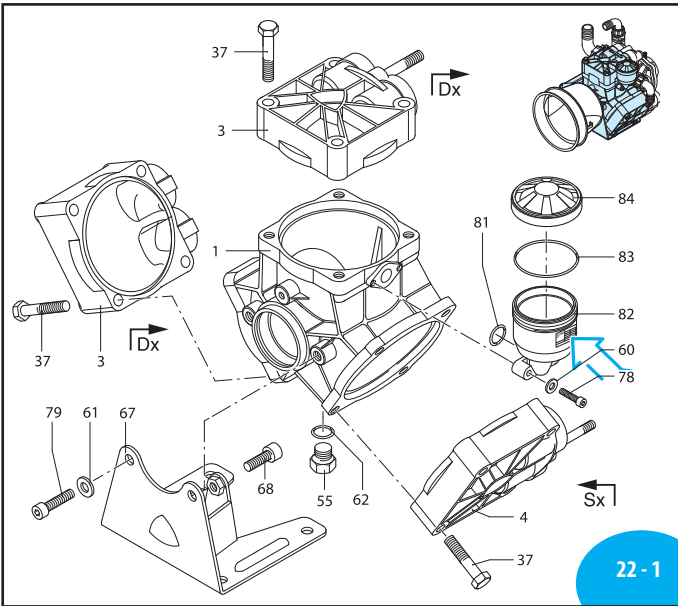
<b>AR 2364</b> Valves	
Pos.	Qty
10	4
11	4

<b>AR 2365</b> O-Rings	
Pos.	Qty
10	4
18	1
24	7
27	1
33	1
36	1
67	1
76	1

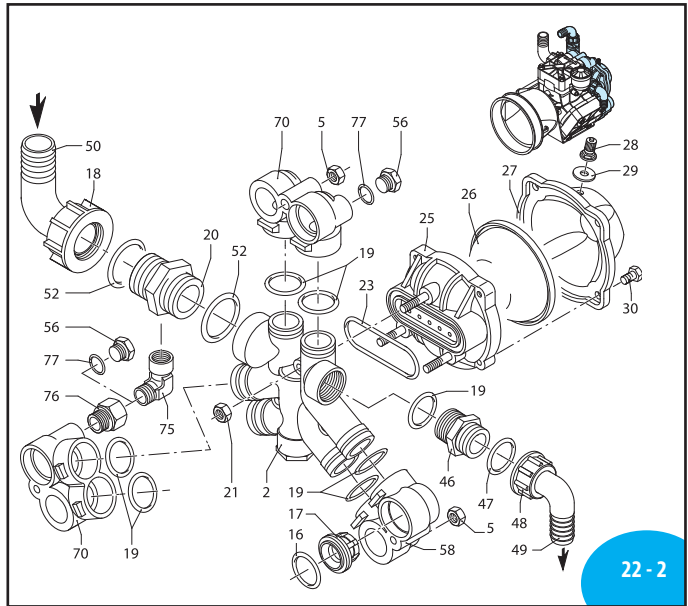


2154700 Air chamber decal

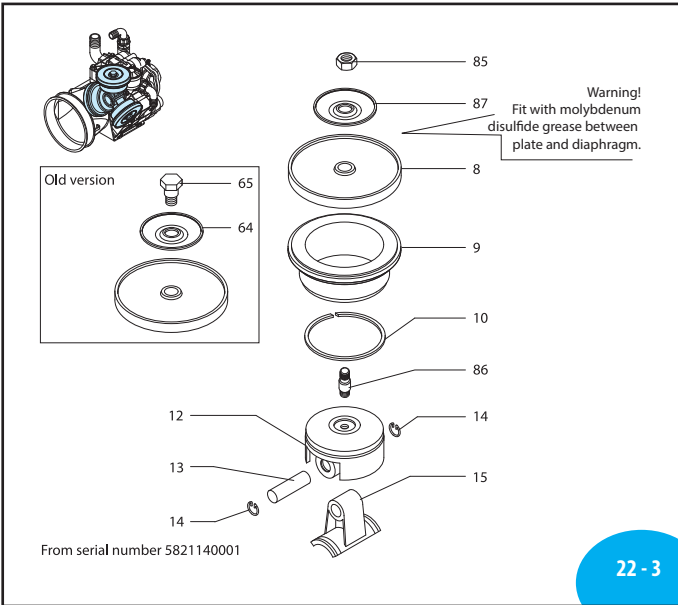
# AR 115 bp - AR 135 bp - AR 115 bp/1000 RPM



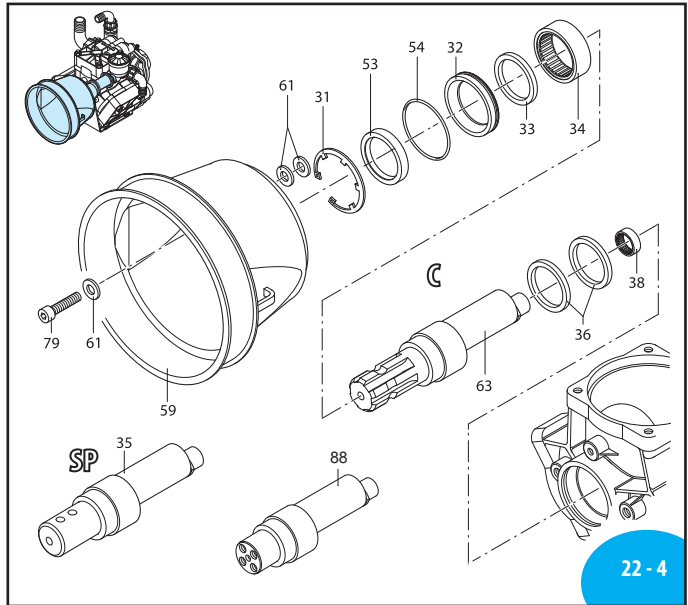
22 - 1



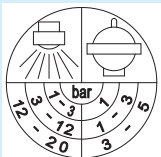
22 - 2



22 - 3



22 - 4



2154700 Air chamber decal



# AR 115 bp - AR 135 bp - AR 115 bp/1000 RPM

	C	SP	C1000	GR3/4	GRI
AR115bp	31701	31702	31709	31704	
AR135bp	31705	31706		31708	33142

Low pressure

Pos	Code	Description	Qty	Note
1	580013	Pump body	1	
2	580150	Manifold	1	
3	550101	Head marked dx	2	
4	550102	Head marked sx	1	
5	180152	Nut M10	3	Geomet T355*
8	550081	Diaphragm	3	BlueFlex™
	550080	Diaphragm	3	NBR
	550084	Diaphragm	3	Viton
	550086	Diaphragm	3	HPDS
	550085	Diaphragm	3	Desmopan
9	580110	Sleeve	3	AR115bp
	580350	Sleeve	3	AR135bp
	580112	Sleeve	3	AR115bp/1000
10	500260	Piston ring	3	
12	580120	Piston Ø 80	3	
13	380300	Pin	3	
14	380080	Ring circlip Øi 14	6	
15	580140	Connecting-rod	3	
16	320030	O-ring Ø 31.5x4.5	6	90Sh
17	759054	Valve	6	AR115bp AR135bp
	589050	Valve	6	AR115bp/1000
18	540541	Ring nut 1" 3/4 G	1	
19	390291	O-ring Ø 28.25x2.62	7	
20	540530	Fitting 1"1/4G-1"3/4GM-M	1	
21	390271	Nut M8	3	Geomet T180*
23	580050	Gasket	1	
25	580180	Semi air chamber lower	1	Black
26	550194	Diaphragm air chamber	1	Blueflex™
	550190	Diaphragm air chamber	1	NBR
	550192	Diaphragm air chamber	1	Viton
	550193	Diaphragm air chamber	1	HPDS
	550233	Semi air chamber upper	1	Black
28	550300	Air valve	1	T25*
29	650542	Gasket	1	
30	550680	Bolt TE M8x20	4	Geomet T180*
31	200391	Ring circlip Øi 62	1	
32	550470	Bushing seal ring	1	
33	550070	Washer	1	
34	550060	Bushing	1	
35	550170	Shaft marked AL	1	AR115bp SP
	580380	Shaft marked AT	1	AR135bp SP
36	580470	Ring connecting rod	2	
37	551040	Bolt TE M10x55	12	Geomet
38	550310	Bushing	1	
46	550340	Fitting 1" G M-M	1	
47	550350	O-ring Ø 23.81x2.62	1	
48	550242	Ring nut 1" G	1	
49	550370	Elbow 1"	1	
50	540550	Elbow 1 1/2"	1	
52	250310	O-ring Ø 36.14x2.62	2	

Pos	Code	Description	Qty	Note
53	550491	Ring seal	1	
54	650920	O-ring Ø 53.65x2.62	1	
55	880530	Plug 3/8" G	1	T180*
56	330173	Plug 1/2" G	1	Geomet T180*
58	580072	Fitting	1	
59	1500350	Shield	1	
60	550332	Washer	2	Geomet
61	320621	Washer	5	Geomet
62	740290	O-ring Ø 14x1.78	1	
63	550173	Shaft marked AM	1	AR115bp C
	580330	Shaft marked AS	1	AR135bp C
	550176	Shaft marked AP	1	AR115bp/1000
64	580370	Retaining washer hole Ø 14	3	(b)
65	580360	Hub pin	3	(b) T180*
67	580080	Base	1	AR115bp AR135bp
	580082	Base	1	AR115bp/1000
68	540301	Bolt TCEI M10x30	1	Geomet T355*
70	580400	Fitting	2	
75	881560	Fitting 1/2" G M-F	1	
76	580421	Fitting M-F 1/2"	1	T180*
77	180101	O-ring Ø 17.5x2	1	
78	850851	Bolt TCEI M6x30	2	Geomet T90*
79	620472	Bolt TCEI M10x20	3	Geomet T90*
81	390180	O-ring Ø 18.72x2.62	1	
82	1040310	Oil sight glass	1	
83	650920	O-ring Ø 53.65x2.62	1	
84	1040326	Cap black	1	AR115bp
	1040324	Cap red	1	AR135bp
	1040325	Cap green	1	AR115bp/1000
85	2240110	Nut M10	3	(a) T265*
86	2240100	Hub pin	3	(a) T265*
87	580371	Retaining washer hole Ø 10	3	(a)
88	550175	Shaft marked AN	1	
	580430	Shaft marked AX	1	

(a) From serial number 5821140001.  
(b) Up to serial number 5820149999.

\* Torque: in-lbs +/- 10%

Suggested Oil: AR64532D (32 oz)  
- Crankcase oil capacity: 32 oz

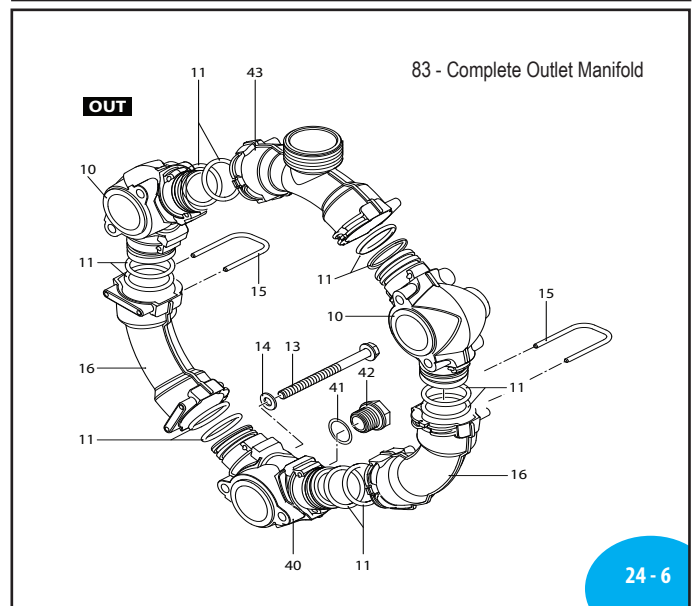
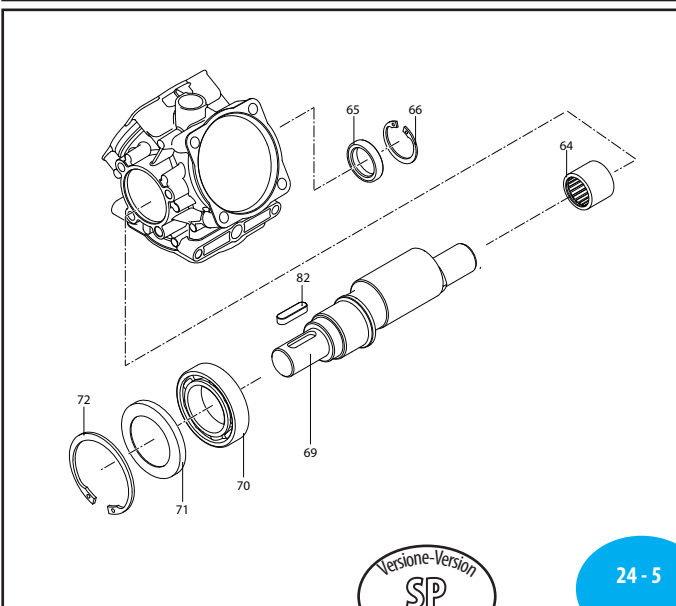
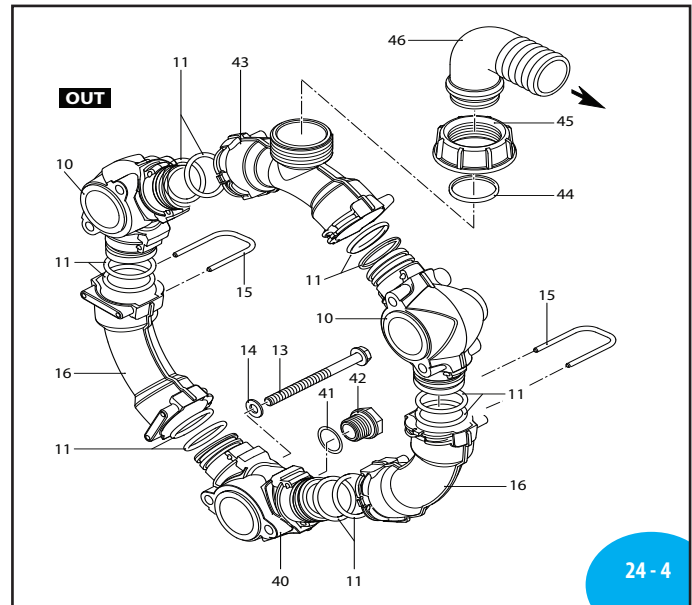
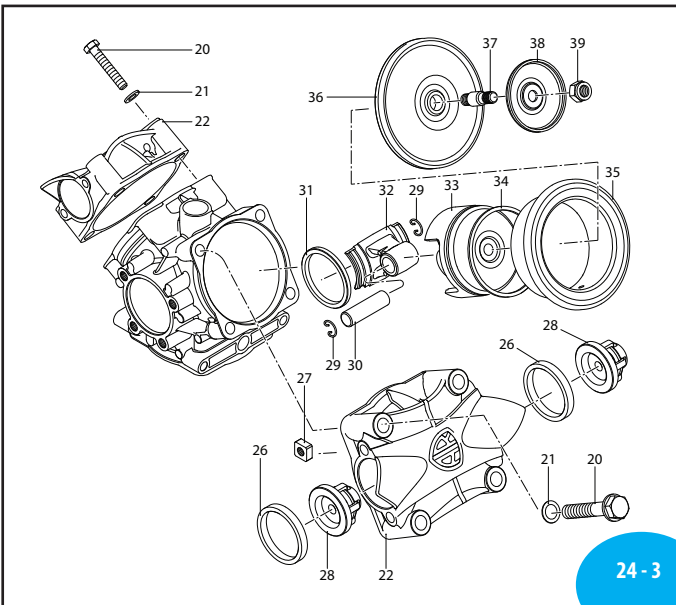
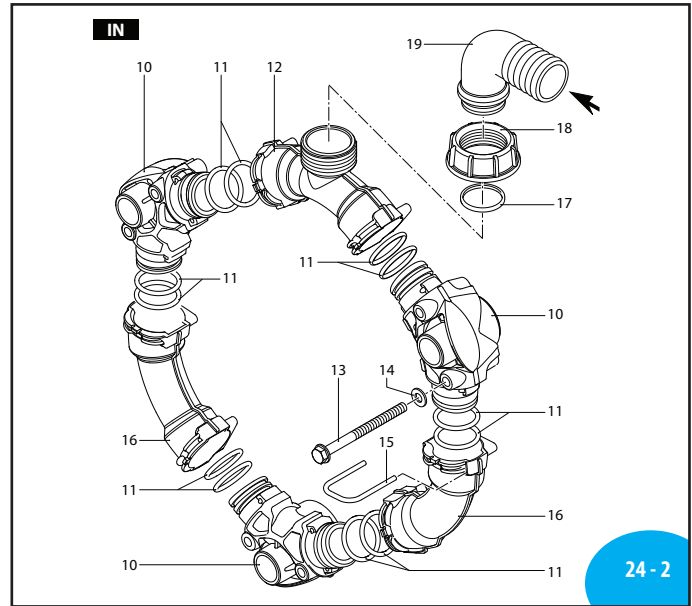
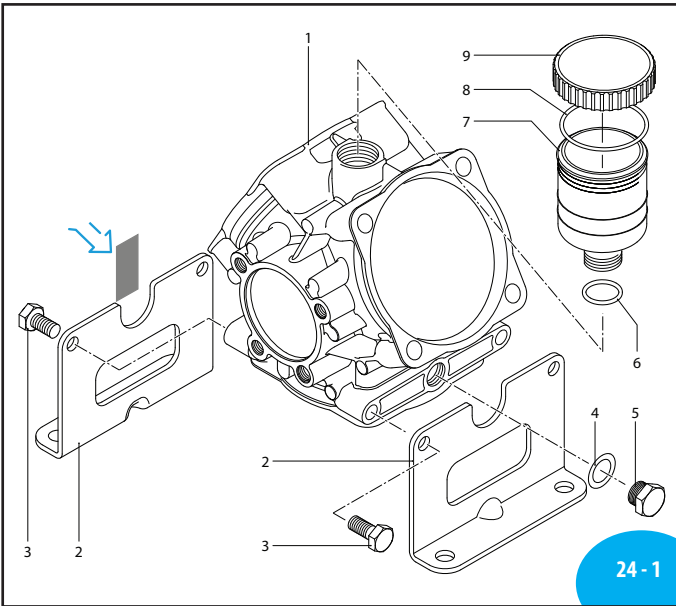
<b>AR 43251</b> BlueFlex diaphragms	
<b>AR 43248</b> NBR diaphragms	
<b>AR 43249</b> Desmopan diaphragms	
Pos.	Qty
8	3
16	6
26	1

<b>AR 2370</b> AR115bp - AR135bp Valves	
Pos.	Qty
16	6
17	6

<b>AR 2026</b> O-Rings	
Pos.	Qty
16	6
19	7
29	1
47	1
52	1
54	1
66	1
81	1
83	1

# A.R. NORTH AMERICA

## AR120LFP - SP / AR140LFP - SP



Versione-Version  
**SP**



# AR120LFP - SP / AR140LFP - SP

	SP
AR120LFP	33090
AR140LFP	33091

Low pressure

Pos	Code	Description	Qty	Note
1	3460010	Pump body	1	
2	3460100	Base	2	
3	160673	Bolt TE M10x25	4	SS T265*
4	740290	O-ring Ø 14x1.78	1	
5	880530	Plug 3/8" G	1	T177*
6	720030	O-ring Ø 22.22x2.62	1	
7	3120240	Oil sight glass	1	T177*
8	650920	O-ring Ø 53.65x2.62	1	
9	1040324	Cap Red	1	
10	3460030	Manifold	5	
11	180241	O-ring Ø 31.34x3.53	24	Viton
12	3460050	Manifold Suction	1	
13	3460201	Bolt TE M8x100	12	SS T106*
14	390315	Washer	12	SS
15	3460210	Fork	12	
16	3460040	Manifold	4	
17	1880460	O-ring Ø 29x3	1	Viton
18	750670	Ring nut 1-1/2" G	1	
19	50267	Elbow Ø 40	1	
20	750072	Bolt TE M12x70	12	SS T310*
21	390092	Washer	12	SS
22	3460020	Head	3	
26	3460380	Gasket	6	Viton
27	3120510	Nut M8	12	SS
28	2429051	Valve AISI 316L	6	
29	380080	Ring nut seeger Øi 14	6	
30	380300	Pin	3	
31	3460090	Ring	2	
32	3460080	Connecting-rod	3	
33	580120	Piston Ø 80	3	
34	500260	Piston ring	3	
35	750110	Sleeve	3	AR 140
	750117	Sleeve	3	AR 120
36	550080	Diaphragm	3	BlueFlex TM
37	2240101	Hub pin AISI 316L	3	T265* (a)
38	580090	Retaining washer	3	
39	224067	Nut M10 AISI 316L	3	T221*
40	3460031	Manifold	1	
41	1140451	O-ring Ø 20.24x2.62	1	Viton
42	3460220	Plug 1/2" G	1	T88*
43	3460060	Manifold	1	
44	880311	O-ring Ø 26.65x2.62	1	Viton
45	651100	Ring nut 1-1/4" G	1	
46	651460	Elbow Ø 25	1	
64	3460110	Bearing	1	
65	1300230	Ring Seal	1	
66	480900	Ring seeger Øi 35	1	
69	3460260	Shaft marked DV	1	AR140
	3460250	Shaft marked DU	1	AR120
70	961781	Bearing	1	
71	3120160	Ring Seal	1	
72	961790	Ring seeger Øi 68	1	
82	2460480	Key	1	(d)
83	3469018	Complete Outlet Manifold	1	Viton

- (a) Bolt piston side with Loctite 242 Strong threadlock and lubricate the side Retaining washer with Molykote grease 1000.
- (b) Bolt the valve until it bottoms on the elbow.
- (c) Attention! Assemble with grease between the Retaining washer and the diaphragm.

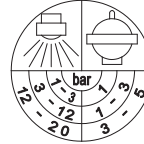
\* Torque: in-lbs +/- 10%

Suggested Oil: AR64532D (32 oz)  
- Crankcase oil capacity: 28 oz

<b>AR 43252</b> NBR diaphragms	
<b>AR 43255</b> BlueFlex diaphragms	
<b>AR 43253</b> Desmopan diaphragms	
<b>AR 43254</b> Viton diaphragms	
Pos.	Qty
26	6
36	3
52	2
54	1

<b>AR 42805</b> Valves	
<b>AR 43138</b> LFP Valves	
Pos.	Qty
26	6
28	6

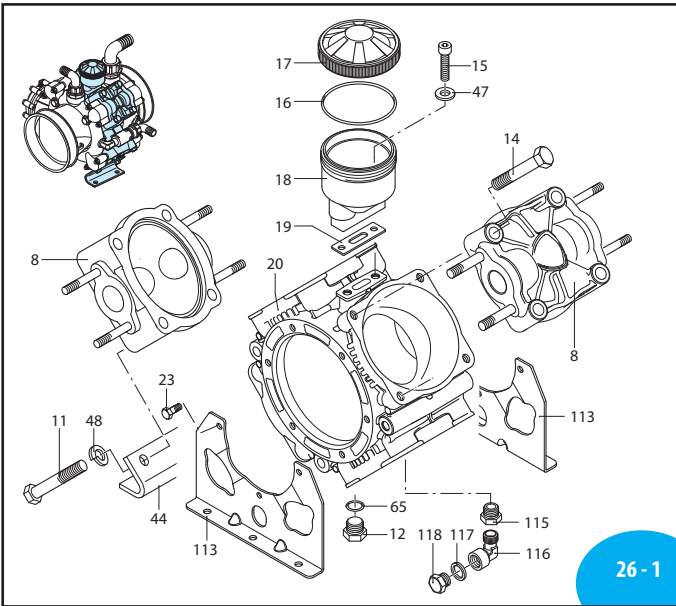
<b>AR 42830</b> O-Rings	
<b>AR 43139</b> LFP O-Rings	
Pos.	Qty
4	1
6	1
8	1
11	24
17	1
41	1
44	1
52	2
59	1
61	1
81	1



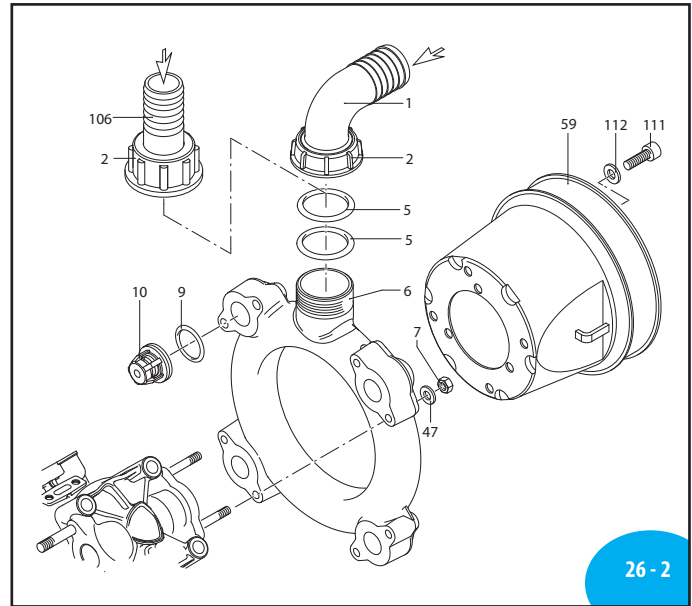
2154700 Air chamber decal

# A.R. NORTH AMERICA

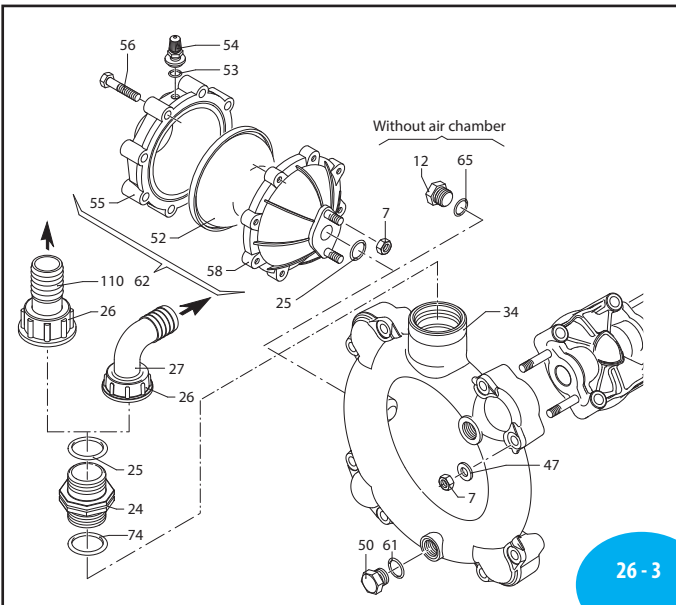
## AR 160 bp - AR 185 bp



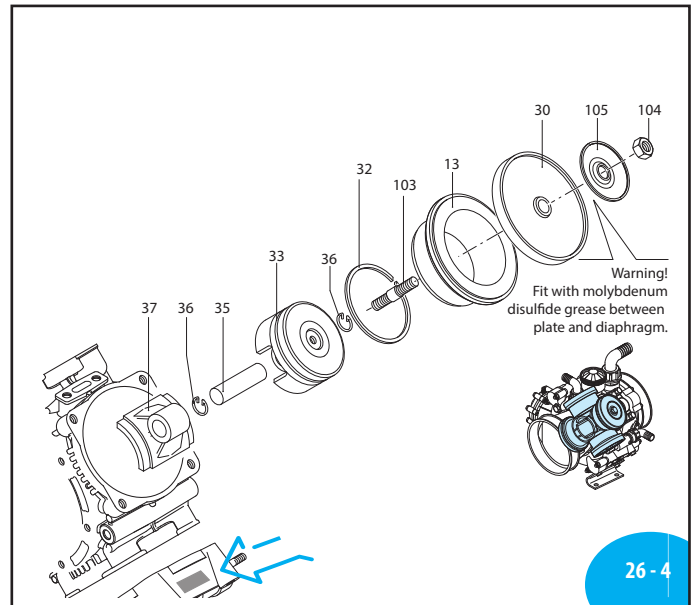
26 - 1



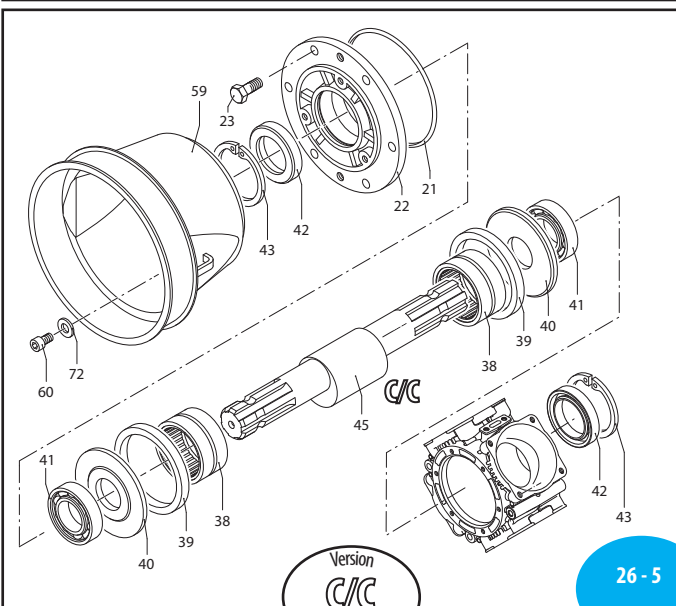
26 - 2



26 - 3



26 - 4



26 - 5



# AR 160 bp - AR 185 bp

	C/C
AR160bp	31714
AR185bp	31715

Low pressure

Pos	Code	Description	Qty	Note
1	3040440	Elbow 2"	1	
2	3040450	Ring nut 2" G	1	
5	3040470	O-ring Ø 39.3x2.6	2	
6	760750	Manifold suction	1	
7	380242	Nut M8	18	Geomet T180*
8	751350	Head black plasticized	4	
9	680070	O-ring Ø 31.5x4.25	8	
10	759054	Valve	8	
11	750071	Bolt TE M12x70	4	Geomet T445*
12	880530	Plug 3/8" G	2	T180*
13	750110	Sleeve	4	AR 160 bp
	750115	Sleeve	4	AR 185 bp
14	750061	Bolt TE M12x65	16	Geomet T445*
15	680350	Bolt TCEI M8x35	2	T90*
16	1040060	O-ring Ø 72.69x2.62	1	
17	1800060	Cap black	1	AR 160 bp
	750050	Cap red	1	AR 185 bp
18	750030	Oil sight glass	1	
19	750040	Gasket	1	
20	761010	Pump body	1	
21	851360	O-ring Ø 120.32x2.62	1	
22	680020	Support	1	
23	160672	Bolt TE M10x25	6	Geomet T310*
24	751130	Fitting 1"1/2 G M-M	1	
25	390290	O-ring Ø 29x3	2	
26	750670	Ring nut 1 1/2" G	1	
27	750660	Elbow 1 1/2"	1	AR 160 bp
	751200	Elbow 1 1/4"	1	AR 185 bp
28	2420181	Support	1	
29	550081	Diaphragm	4	BlueFlex
	550080	Diaphragm	4	NBR
	550084	Diaphragm	4	Viton
	550085	Diaphragm	4	Desmopan
	550086	Diaphragm	4	HPDS
32	500260	Piston ring	4	
33	750122	Piston Ø 80	4	
34	760760	Manifold manifold	1	
35	160700	Pin	4	
36	160691	Ring circlip Øi 18	8	
37	760140	Connecting-rod	4	
38	750090	Bearing	2	
39	750130	Ring connecting rod	2	
40	540040	Retaining washer	2	
41	230350	Bearing	2	
42	160740	Ring seal	2	
43	200390	Ring circlip Øi 62	2	
44	760201	Base	2	
45	750170	Shaft marked AU	1	AR 160 bp C/C
	750174	Shaft marked AV	1	AR 185 bp C/C
47	380243	Washer	18	Geomet
48	250143	Washer	4	Geomet
50	330173	Plug 1/2" G	1	Geomet T180*

Pos	Code	Description	Qty	Note
51	550194	Diaphragm air chamber	1	Blueflex
	550190	Diaphragm air chamber	1	NBR
	550191	Diaphragm air chamber	1	Saturflon
	550192	Diaphragm air chamber	1	Viton
	550193	Diaphragm air chamber	1	HPDS
53	650542	Gasket	1	
54	180020	Air valve	1	T25*
55	620232	Semi air chamber upper	1	Black
56	621781	Bolt TE M8x40	8	Geomet T180*
58	680180	Semi air chamber lower	1	
59	1500470	Shield	2	
60	850251	Bolt TCEI M8x12	3	Geomet T180*
	750170	Sleeve	6	AR160
61	180101	O-ring Ø 17.5x2	1	
62	629230	Air chamber BlueFlex™	1	
	629216	Air chamber NBR	1	
65	740290	O-ring Ø 14x1.78	2	
72	390314	Washer	3	Geomet
74	751140	O-ring Ø 47.22x3.53	1	
76	750110	Shaft	1	AR160
78	620330	Ring circlip Øi 65	1	
79	1800090	Ring seal	1	
80	230310	Bearing	1	
81	760510	Retaining washer	1	
103	2240100	Hub pin	4	T265*
104	2240110	Nut M10 SS	4	T220*
105	751250	Retaining washer	4	
106	760950	Hose barb Ø 40	1	Optional AR 160 bp
	760570	Hose barb Ø 50	1	Optional AR 185 bp
	760920	Hose barb Ø 25	1	Optional AR 160 bp
110	760940	Hose barb Ø 35	1	Optional AR 185 bp
	820673	Bolt TCEI M10x16	3	Geomet
111	320621	Washer	3	Geomet
113	761031	Base	2	
115	1040491	Fitting 3/8" G M-F	1	
116	900210	Fitting 3/8" G M-F	1	
117	2260200	Washer	1	
118	2281270	Plug 3/8" G	1	T180*
119	1300280	Spacer	3	
120	760360	Guard	1	
121	320621	Washer	3	Geomet

\* Torque: in-lbs +/- 10%

Suggested Oil: AR64532D (32 oz)  
- Crankcase oil capacity: 56 oz

<b>AR 43259</b> BlueFlex diaphragms	
<b>AR 43256</b> Buna diaphragms	
<b>AR 43258</b> HPDS diaphragms	
<b>AR 43257</b> Desmopan diaphragms	
Pos.	Qty
9	8
30	4
52	1

<b>AR 2374</b> Valves	
Pos.	Qty
9	8
10	8

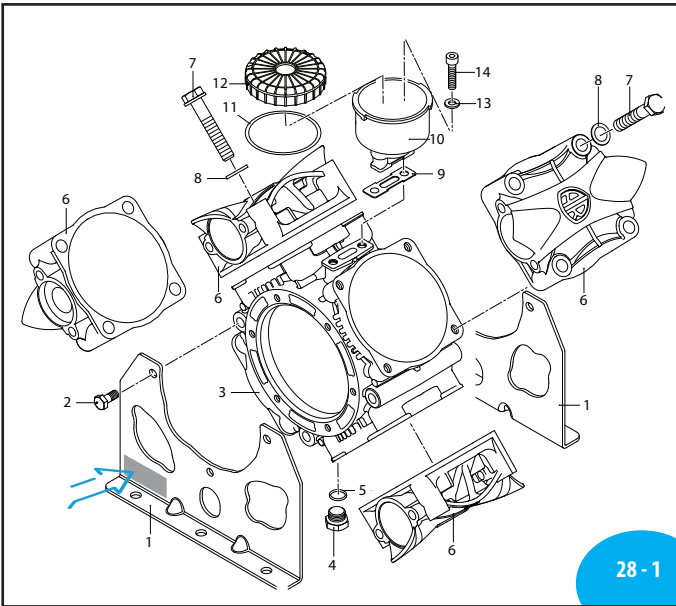
<b>AR 42510</b> O-Rings	
Pos.	Qty
5	2
9	8
16	1
21	1
25	2
53	1
61	1
65	2
69	1
74	1



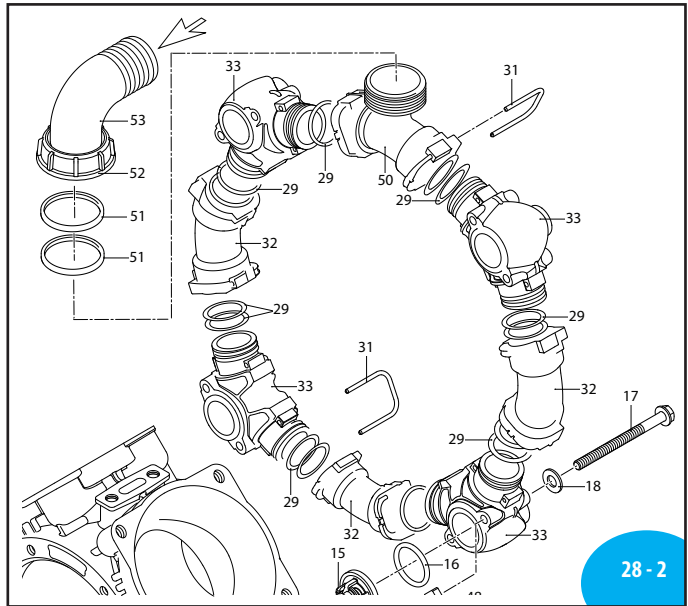
2154700 Air chamber decal

# A.R. NORTH AMERICA

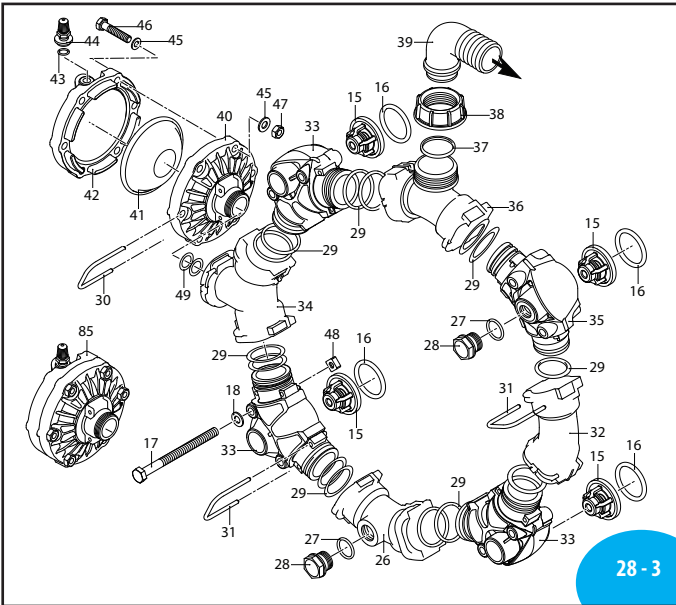
## AR 160 LFP - C/C / AR 185 LFP - C/C



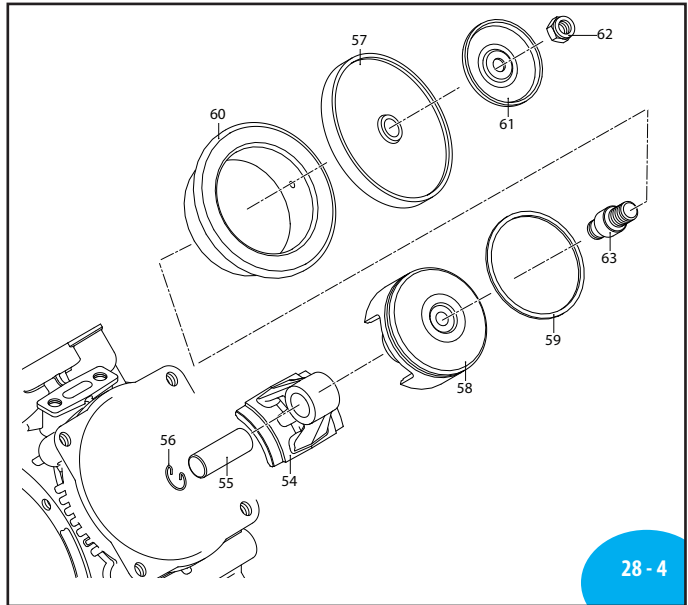
28 - 1



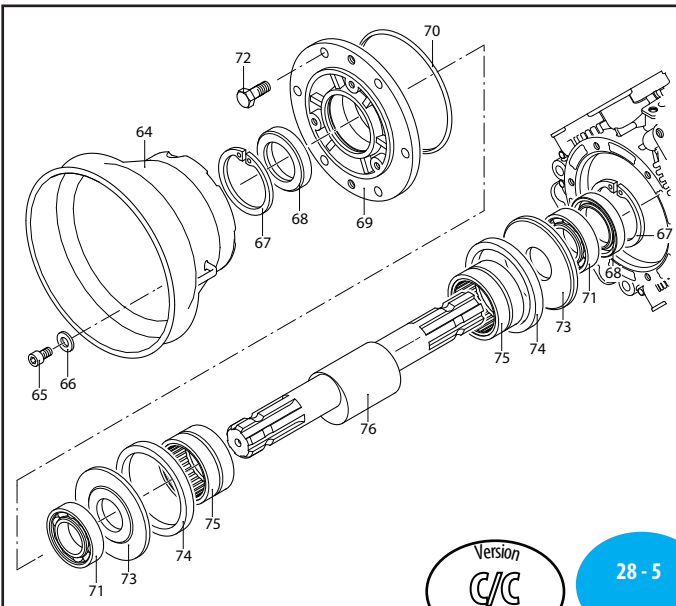
28 - 2



28 - 3



28 - 4



28 - 5



# AR 160 LFP / AR 185 LFP

	C/C
	BlueFlex™
AR160LFP	31484
AR185LFP	33125

Low pressure

Pos	Code	Description	Qty	Note
1	761031	Base	2	
2	160673	Bolt TE M10x25	6	SS T354*
3	761010	Pump body	1	
4	880530	Plug 3/8" G	1	T177*
5	740290	O-ring Ø 14x1.78	1	
6	3460020	Head	4	
7	750072	Bolt TE M12x70	16	SS T309*
8	390092	Washer	16	SS
9	750040	Gasket	1	
10	751170	Oil sight glass	1	
11	1980340	O-ring Ø 83.8x2.62	1	
12	751183	Cap Red	1	
13	380243	Washer	2	
14	680350	Bolt TCEI M8x35	2	T88*
15	2429051	Valve AISI 316L	8	
16	3460380	Gasket	8	Viton
17	3460201	Bolt TE M8x100	16	SS T88*
18	390315	Washer	16	SS
26	761240	Manifold section	1	
27	1150641	O-ring Ø 20x24x2.62	2	Viton
28	3460490	Plug 1/2" G	2	T88*
29	230061	O-ring Ø 34.52x3.53	32	Viton
30	3460210	Fork	1	
31	761250	Fork	16	
32	761200	Manifold section	4	
33	761190	Manifold section	7	
34	761230	Manifold section air chamber	1	
35	761191	Manifold section SRV port	1	
36	761220	Manifold section discharge 1-1/2" G	1	
37	1880460	O-ring Ø 29x3	1	Viton
38	750670	Ring nut 1-1/2" G	1	
39	750660	Elbow Ø 38	1	
40	3460180	Semi air chamber lower	1	Nylon
41	800192	Diaphragm air chamber	1	BlueFlex™
42	3460190	Semi air chamber upper	1	Nylon
43	650542	Gasket	1	
44	180020	Air valve	1	T22*
45	390315	Washer	12	SS
46	621782	Bolt TE M8x40	6	SS T177*
47	3120260	Nut M8	6	SS T177*
48	3120510	Nut famework M8	16	SS
49	880311	O-ring Ø 26.65x2.62	2	Viton
50	761210	Manifold section inlet 2" G	1	
51	3040471	O-ring Ø 39.34x2.62	2	Viton
52	3040450	Ring nut 2" G	1	
53	3040440	Elbow Ø 50	1	
54	760140	Connecting-rod	4	
55	160700	Pin	4	
56	160691	Ring Øi 18	8	
57	550081	Diaphragm	4	BlueFlex™
58	750122	Piston Ø 80	4	
59	500260	Piston ring	4	

Pos	Code	Description	Qty	Note
60	750115	Sleeve	4	AR160LFP
61	751251	Retaining washer	4	
62	2240670	Nut M10 AISI 316L	4	T221*
63	2240101	Hub pin AISI 316L	4	(a) T265*
64	1500470	Shaft protection	1	
65	850252	Bolt TCEI M8x12	3	SS T88*
66	390315	Washer	3	SS
67	200390	Ring Øi 62	2	
68	160740	Ring seal	2	
69	680020	Support	1	
70	851360	O-ring Ø 120.32x2.62	1	
71	230350	Bearing	1	
72	160673	Bolt TE M10x25	6	SS T309*
73	540040	Retaining washer	2	
74	750130	Ring piston rod	2	
75	750090	Bearing	2	
76	750174	Shaft C/C m-AV	1	AR160LFP
85	43067	Air chamber LFP BlueFlex™	1	

(a) Bolt piston side with Loctite 242 Strong and lubricate between the retaining washer and diaphragm with Molykote grease 1000.

\* Torque: in-lbs +/- 10%

Suggested Oil: AR64532D (32 oz)  
- Crankcase oil capacity: 56 oz

AR 43259 BlueFlex diaphragms	
Pos.	Qty
9	8
30	4
52	1

AR 43169 Valves	
Pos.	Qty
15	8
16	8

AR 43170 O-Rings	
Pos.	Qty
5	2
9	8
16	1
21	1
25	2
53	1
61	1
65	2
69	1
74	1

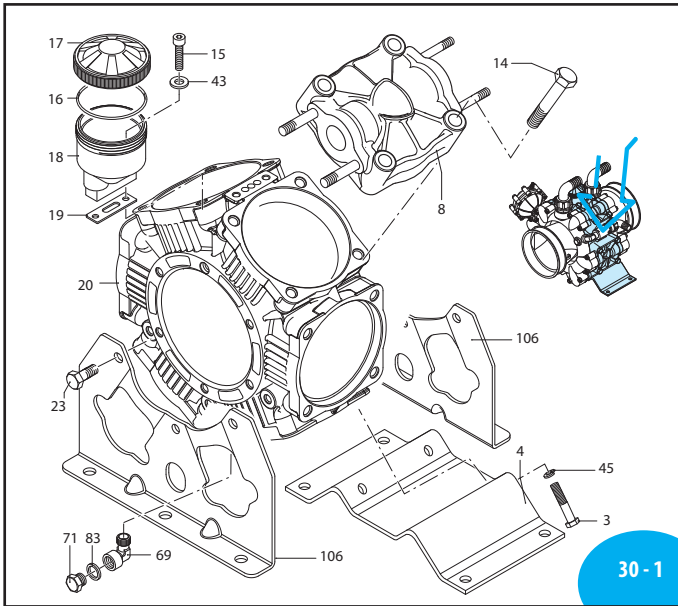


2154700 Air chamber decal

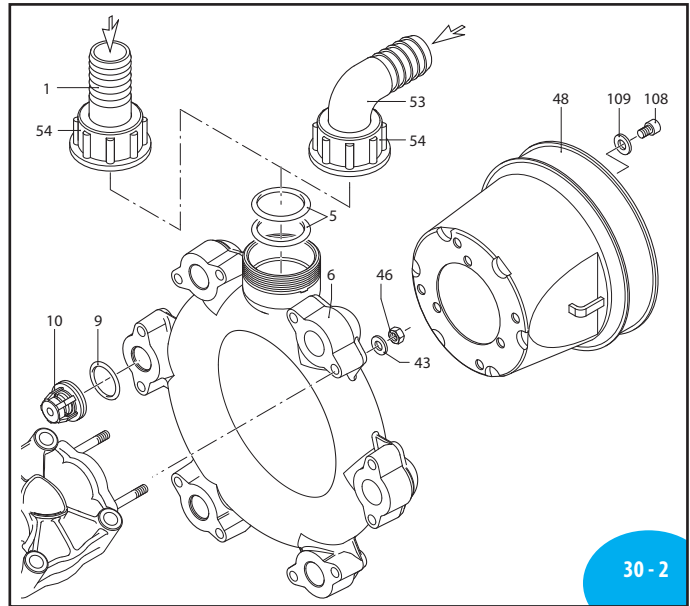


# A.R. NORTH AMERICA

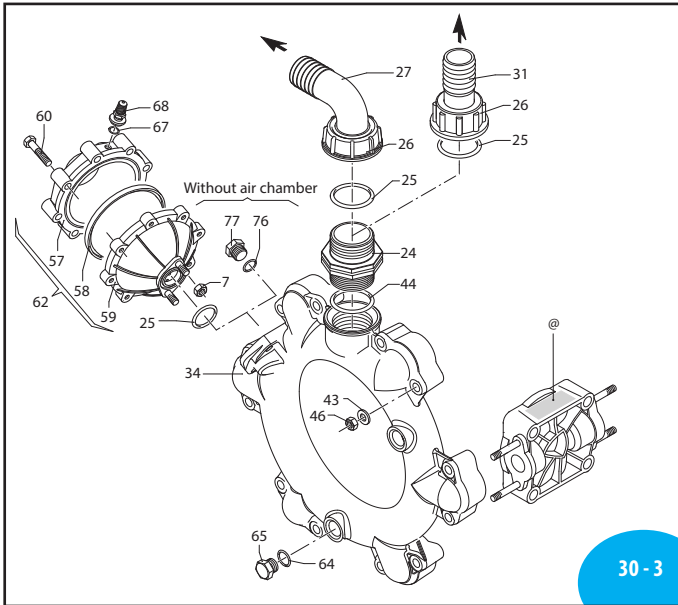
## AR 215 bp - AR 250 bp - AR 280 bp



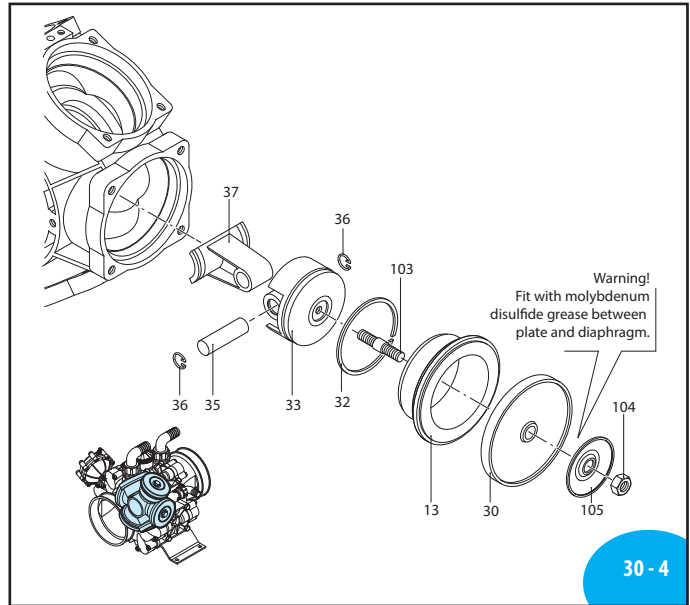
30 - 1



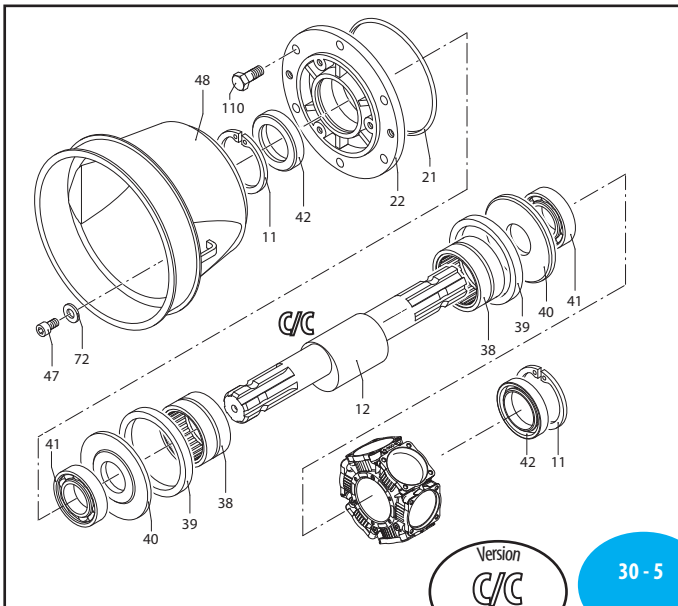
30 - 2



30 - 3



30 - 4



30 - 5



	C/C
AR215bp	31716
AR250bp	31717
AR280bp	31718

Low pressure

# AR 215 bp - AR 250 bp - AR 280 bp

Pos	Code	Description	Qty	Note
1	750870	Hose barb 2"	1	Optional
	750730	Hose barb Ø 60	1	Optional
3	750071	Bolt TE M12x70	4	Geomet T445*
4	750200	Base	1	Optional
5	750740	O-ring Ø 56.74x3.53	2	
6	751070	Manifold suction	1	
7	380242	Nut M8	2	Geomet T220*
8	751350	Head black plasticized	6	
9	680070	O-ring Ø 31.5x4.25	12	
10	759054	Valve	12	
11	200390	Ring circlip Øi 62	2	
	750176	Shaft marked AZ	1	AR 215 bp C/C
	750170	Shaft marked AU	1	AR 250 bp C/C
	750174	Shaft marked AV	1	AR 280 bp C/C
	750117	Sleeve	6	AR 215 bp C/C
	750110	Sleeve	6	AR 250 bp C/C
	750115	Sleeve	6	AR 280 bp C/C
14	750061	Bolt TE M12x65	24	Geomet T445*
15	680350	Bolt TCEI M8x35	2	T90*
16	1040060	O-ring Ø 72.69x2.62	1	
	750051	Cap green	1	AR 215 bp
	1800060	Cap black	1	AR 250 bp
	750050	Cap red	1	AR 280 bp
18	750030	Oil sight glass	1	
19	750040	Gasket	1	
20	751300	Pump body	1	
21	851360	O-ring Ø 120.32x2.62	1	
22	680020	Support	1	
23	160672	Bolt TE M10x25	6	Geomet T355*
24	751130	Fitting 1"1/2 G M-M	1	T90*
25	390290	O-ring Ø 29x3	2	
26	750670	Ring nut 1 1/2" G	1	
27	750660	Elbow 1 1/2"	1	
	550081	Diaphragm	6	BlueFlex
	550080	Diaphragm	6	NBR
	550084	Diaphragm	6	Viton
	550085	Diaphragm	6	Desmopan
	550086	Diaphragm	6	HPDS
31	760940	Hose barb Ø 35	1	
32	500260	Piston ring	6	
33	750122	Piston Ø 80	6	
34	751080	Manifold manifold	1	
35	160700	Pin	6	
36	160691	Ring circlip Øi 18	12	
37	750140	Connecting-rod	6	
38	750090	Bearing	2	
39	750130	Ring connecting rod	2	
40	540040	Retaining washer	2	
41	751280	Bearing	2	
42	160740	Ring seal	2	
43	380243	Washer	26	Geomet
44	751140	O-ring Ø 47.22x3.53	1	

Pos	Code	Description	Qty	Note
45	250143	Washer	4	Geomet
46	380242	Nut M8	24	Geomet T180*
47	850251	Bolt TCEI M8x12	3	Geomet T90*
48	1500470	Shield	1	
	750850	Elbow 2"	1	AR 215 bp- AR 250 bp
	750720	Elbow Ø 60	1	AR 280 bp
54	750710	Ring nut 2" 1/2 G	1	
57	620232	Semi air chamber upper	1	Black
	550194	Diaphragm air chamber	1	Blueflex
	550190	Diaphragm air chamber	1	NBR
	550192	Diaphragm air chamber	1	Viton
	550193	Diaphragm air chamber	1	HPDS
59	680180	Semi air chamber lower	1	
60	621781	Bolt TE M8x40	8	Geomet T220*
	629230	Air chamber BlueFlex*	1	
	629216	Air chamber NBR	1	
64	180101	O-ring Ø 17.5x2	1	
65	330173	Plug 1/2" G	1	Geomet T180*
67	650542	Gasket	1	
68	180020	Air valve	1	T25*
69	750370	Fitting 1/4" G M-F	1	
71	880581	Plug 1/4" G	1	T180*
72	390314	Washer	3	Geomet
76	740290	O-ring Ø 14x1.78	1	
77	880530	Plug 3/8" G	1	T180*
83	880820	Washer	1	
84	620330	Ring circlip Øi 65	1	
85	1800090	Ring seal	1	
86	230310	Bearing	1	
87	760510	Retaining washer	1	
103	2240100	Hub pin	6	T265*
104	2240110	Nut M10 SS	6	SS T220*
105	751250	Retaining washer	6	
106	751291	Base	2	
108	820673	Bolt TCEI M10X16	3	Geomet T90*
109	320621	Washer	3	Geomet
110	160672	Bolt TE M10x25	6	Geomet T310*
111	1300280	Spacer	3	

\* Torque: in-lbs +/- 10%

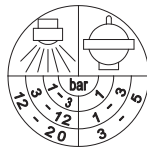
Piston Kit: 759000 (incl. 32, 33, 35, 36, 37, 103)

Suggested Oil: AR64532D (32 oz)  
- Crankcase oil capacity: 98 oz

<b>AR 43263</b> BlueFlex diaphragms	
<b>AR 43260</b> Buna diaphragms	
<b>AR 43261</b> Desmopan diaphragms	
Pos.	Qty
9	12
30	6
58	1

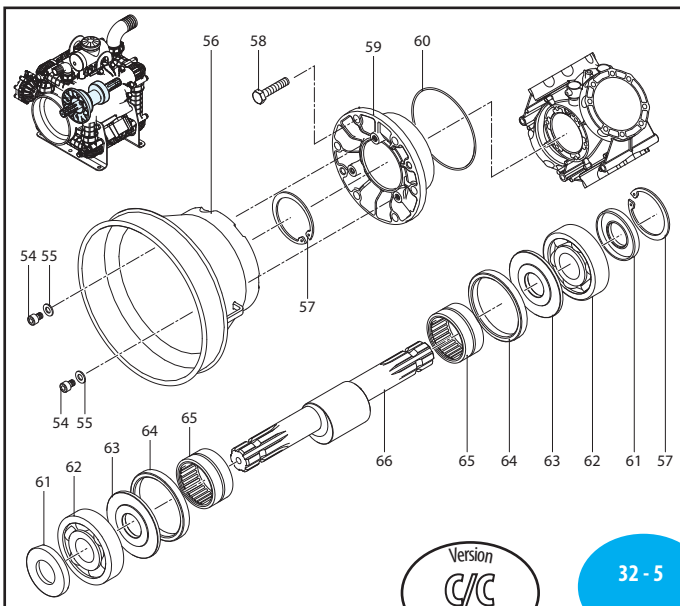
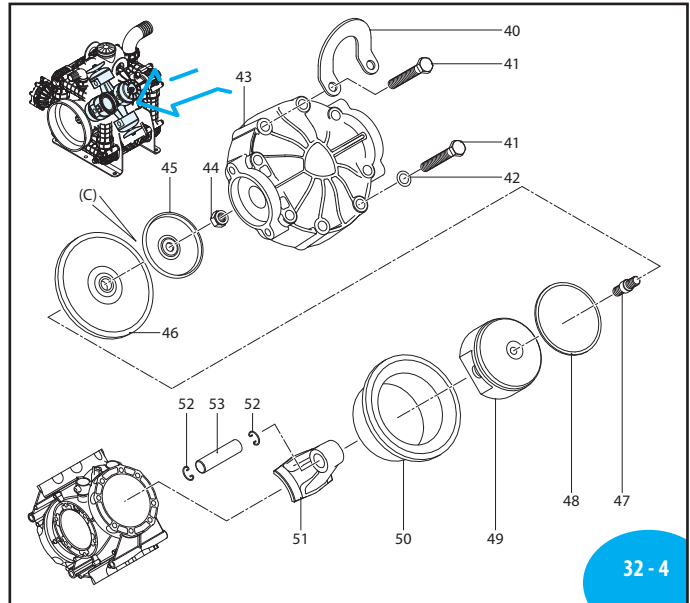
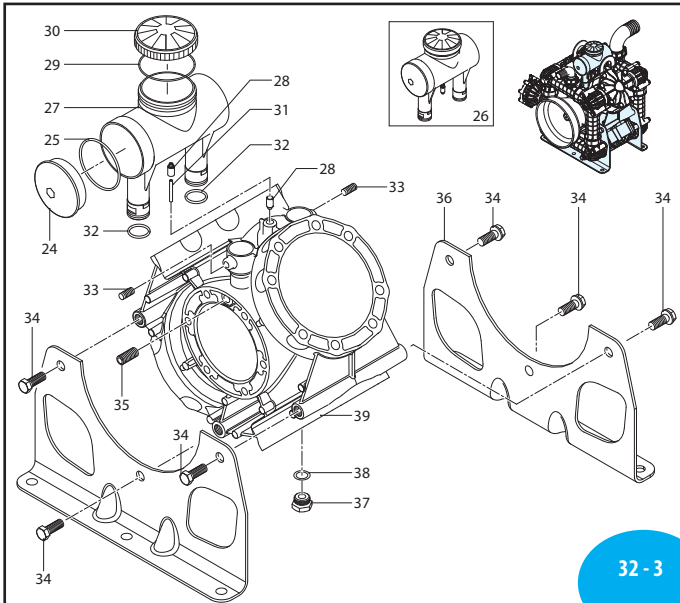
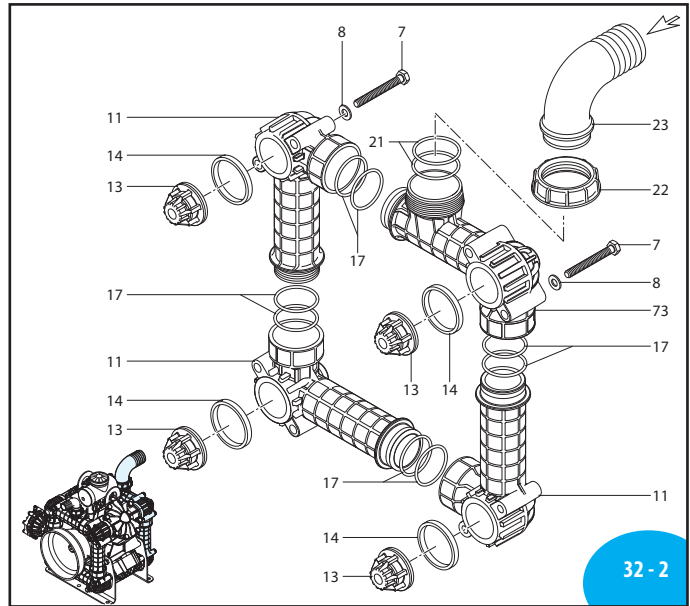
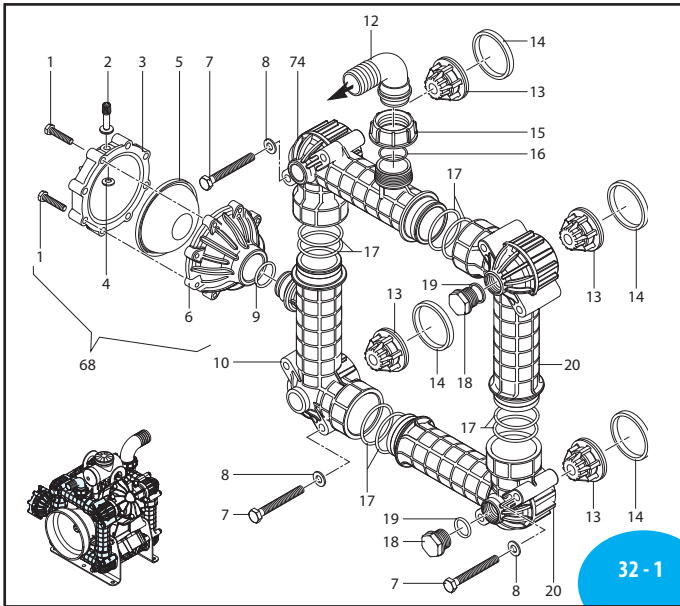
<b>AR 2114</b> Valves	
Pos.	Qty
9	12
10	12

<b>AR 42513</b> O-Rings	
Pos.	Qty
5	2
9	12
16	1
21	1
25	2
44	1
64	1
76	1
80	2



# A.R. NORTH AMERICA

## AR 330 bp - AR 380 bp



# AR 330 bp - AR 380 bp

	C/C
AR330bp	31719
AR380bp	31720

Low pressure

Pos	Code	Description	Q.ty	Note
1	621781	Bolt TE M8x40	8	Geomet T180*
2	180020	Air valve	1	T25*
3	620232	Semi air chamber upper	1	Black
4	650542	Gasket	1	
5	550194	Diaphragm air chamber	1	Blueflex™
	550190	Diaphragm air chamber	1	NBR
6	3040310	Semi air chamber lower	1	Plasticised
7	3040280	Bolt TE M10x85	16	Geomet T240*
8	320621	Washer	16	Geomet
9	280220	O-ring Ø 29.75x3.53	1	
10	3280070	Manifold	1	
11	3280040	Manifold asp./manifold	3	
12	751200	Elbow 1 1/4"	1	
13	3049050	Valve	8	
14	3040200	Gasket	8	
15	750670	Ring nut 1 1/2" G	1	
16	390290	O-ring Ø 29x3	1	
17	100320	O-ring Ø 52.39x3.53	16	
18	3040370	Plug 3/4" G	2	T90*
19	1540630	O-ring Ø 23.47x2.62	2	
20	3280041	Manifold threaded	2	
21	750740	O-ring Ø 56.74x3.53	2	
22	750710	Ring nut 2" 1/2 G	1	
23	750720	Elbow Ø 60	1	
24	3040260	Plug	1	
25	3040510	O-ring Ø 70x3	1	
26	3049001	Oil sight glass Assy	1	
27	3040250	Oil sight glass	1	
28	3040490	Fitting	2	
29	1040060	O-ring Ø 72.69x2.62	1	
30	1800060	Cap black	1	AR330bp
	750050	Cap red	1	AR380bp
31	3040500	Hose barb	1	34 mm 98 Sh
32	3040590	O-ring Ø 22x3	2	
33	394171	Bolt M8x16	2	Geomet T90*
34	3040290	Bolt TE M14x40	6	Geomet T445*
35	3280090	Bolt M10x14	2	Geomet T180*
36	3280030	Base	2	
37	820361	Plug 1/2" G brass	1	
38	180101	O-ring Ø 17.5x2	1	
39	3280010	Pump body	1	
40	3280080	Support	2	
41	3040300	Bolt TE M12x85	32	Geomet T445*
42	390090	Washer	28	Geomet
43	3040030	Head plasticised	4	
44	750980	Nut M12	4	SS T265*
45	3040120	Retaining washer	4	

Pos	Code	Description	Q.ty	Note
46	3040083	Diaphragm	4	BlueFlex
	3040080	Diaphragm	4	NBR
47	3040130	Hub pin	4	T265* (a)
48	3040110	Piston ring	4	
49	3040100	Piston Ø 100	4	
50	3280110	Sleeve stroke 19 Ø100	4	AR330bp
	3280160	Sleeve stroke 22 Ø110	4	AR380bp
51	3280020	Connecting-rod	4	
52	160691	Ring circlip Øi 18	8	
53	540070	Pin	4	
54	850251	Bolt TCEI M8x12	3	Geomet T90*
55	390314	Washer	3	Geomet
56	1500470	Shield	1	
57	161050	Ring circlip Øi 72	2	sp.2.5
58	450261	Bolt TE M6x35	6	Geomet T180*
59	3040021	Flange	1	
60	1800160	O-ring Ø 113.97x2.62	1	
61	2680120	Ring seal	2	
62	160751	Bearing	2	
63	540040	Retaining washer	2	AR330bp
	3280190	Retaining washer	2	AR380bp
64	850130	Ring connecting rod	2	
65	850320	Bearing	2	
66	3280100	Shaft marked DR	1	AR330bp C/C
	3280150	Shaft marked ER	1	AR380bp C/C
68	43066	Air chamber	1	Blueflex™
	1508	Air chamber	1	NBR
69	3040360	Retaining washer	1	AR330bp
	3280190	Retaining washer	1	AR380bp
70	2240390	Ring connecting rod	1	
71	3040321	Flange	1	
72	2680130	Ring seal	1	
73	3280050	Manifold suction	1	
74	3280060	Manifold manifold	1	

(a) Bolt piston side with Loctite 242 Strong.

(c) Attention! Assemble with grease between the Retaining washer and the diaphragm.

@ Pump and manufacturer identification.

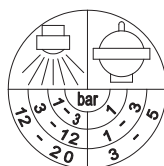
\* Torque: in-lbs +/- 10%

Suggested Oil: AR64532D (32 oz)  
- Crankcase oil capacity: 148 oz

<b>AR 43274</b> BlueFlex™ diaphragms	
<b>AR 43272</b> Buna diaphragms	
<b>AR 43273</b> Desmopon diaphragms	
Pos.	Qty
5	1
14	8
46	4

<b>AR 42980</b> Valves	
Pos.	Qty
13	8
14	8

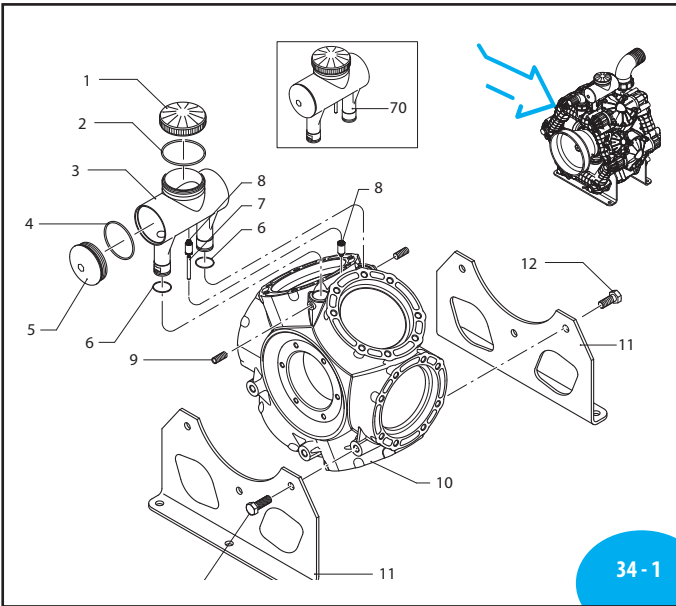
<b>AR 42591</b> O-Rings	
Pos.	Qty
9	1
16	1
17	16
19	2
21	2
25	1
29	1
32	2
38	1
60	1



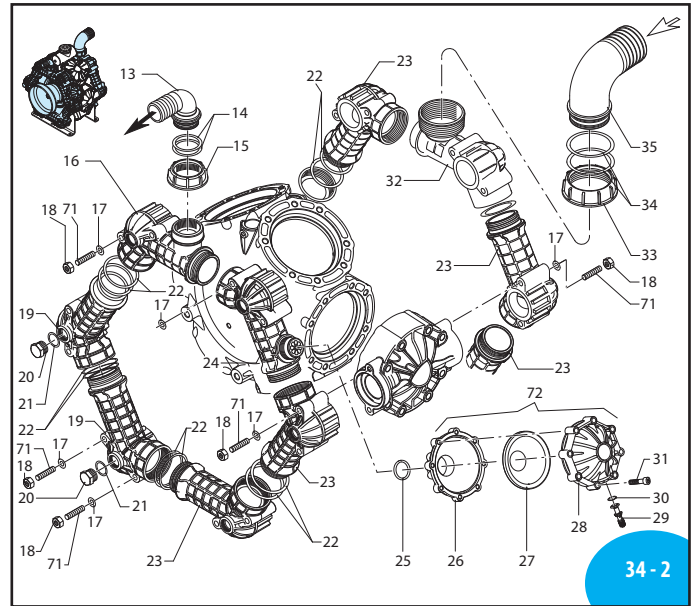
2154700 Air chamber decal

# A.R. NORTH AMERICA

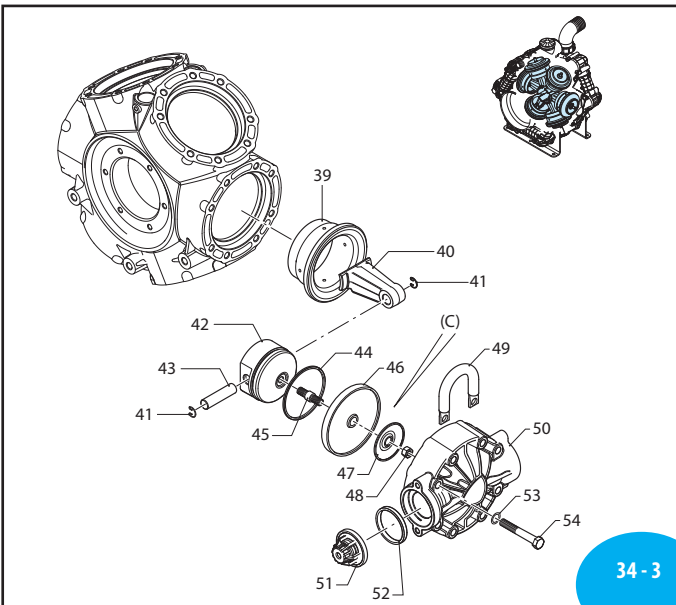
## AR 410 bp - AR 460 bp



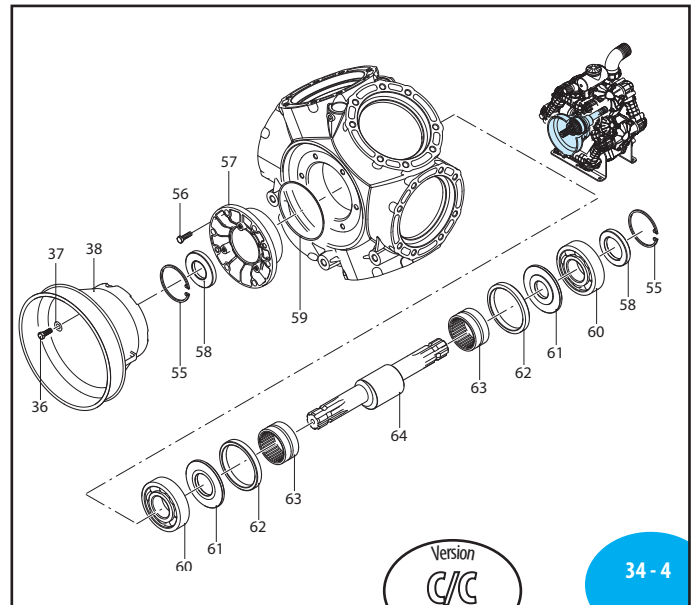
34 - 1



34 - 2



34 - 3



34 - 4

Version

C/C





# AR 410 bp - AR 460 bp

	C/C
AR410bp	31721
AR460bp	31722

Low pressure

Pos	Code	Description	Qty	Note
1	1800060	Cap black	1	AR 410 bp
	750050	Cap red	1	AR 460 bp
2	1040060	O-ring Ø 72.69x2.62	1	
3	3040250	Oil sight glass	1	
4	3040510	O-ring Ø 70x3	1	
5	3040260	Plug	1	
6	3040590	O-ring Ø 22x3	2	
7	3040500	Hose barb	1	
8	3040490	Fitting	2	
9	394171	Bolt M8x16	2	Geomet T90*
10	3040010	Pump body	1	
11	3040150	Base	2	
12	3040290	Bolt TE M14x40	6	Geomet T445*
13	3040430	Elbow 1 1/2"	1	
14	3040470	O-ring Ø 39.3x2.6	2	
15	3040450	Ring nut 2" G	1	
16	3040060	Manifold manifold	1	
17	3040520	Washer	24	SS
18	2240110	Nut M10 SS	24	T180*
19	3040041	Manifold threaded	2	
20	3040370	Plug 3/4" G	2	T90*
21	1540630	O-ring Ø 23.47x2.62	2	
22	750740	O-ring Ø 56.74x3.53	22	
23	3040040	Manifold closed	7	
24	3040070	Manifold	1	
25	280220	O-ring Ø 29.75x3.53	1	
26	3040310	Semi air chamber lower	1	plasticised
27	550194	Diaphragm air chamber	1	Blueflex
	550190	Diaphragm air chamber	1	NBR
28	620232	Semi air chamber upper	1	Black
29	180020	Air valve	1	T25*
30	650542	Gasket	1	
31	621781	Bolt TE M8x40	8	Geomet T180*
32	3040050	Manifold suction	1	
33	3040420	Ring nut 3" G	1	
34	3040460	O-ring Ø 68.3x3.5	2	
35	3040410	Elbow 3"	1	
36	850251	Bolt TCEI M8x12	3	Geomet T90*
37	390314	Washer	3	Geomet
38	1500470	Shield	1	
39	3040140	Sleeve	6	AR 410 bp
	3040142	Sleeve	6	AR 460 bp
40	3040090	Connecting-rod	6	
41	160691	Ring circlip Øi 18	12	
42	3040100	Piston Ø 100	6	
43	540070	Pin	6	
44	3040110	Piston ring	6	
45	3040130	Hub pin	6	T265* (a)

Pos	Code	Description	Qty	Note
46	3040083	Diaphragm	6	BlueFlex
	3040080	Diaphragm	6	NBR
47	3040120	Retaining washer	6	
48	750980	Nut M12	6	SS T265*
49	3040481	Support	2	
50	3040030	Head plasticised	6	
51	3049050	Valve	12	
52	3040200	Gasket	12	
53	390090	Washer	44	Geomet
54	3040300	Bolt TE M12x85	48	Geomet T445*
55	161050	Ring circlip Øi 72	2	sp.2.5
56	450261	Bolt TE M6x35	6	Geomet T180*
57	3040021	Flange	1	
58	2680120	Ring sailing	2	
59	1800160	O-ring Ø 113.97x2.62	1	
60	160751	Bearing	2	
61	540040	Retaining washer	2	
62	850130	Ring connecting rod	2	
63	850320	Bearing	2	
64	3040170	Shaft marked DA	1	AR410 bp C/C
	3040190	Shaft marked DC	1	AR460 bp C/C
65	3040321	Flange	1	
66	2680130	Ring seal	1	
67	2240380	Bearing	1	
68	3040360	Retaining washer	1	
70	3049001	Oil sight glass Assy	1	
71	3040530	Stud	24	T265*
72	43066	Air chamber	1	Blueflex
	1508	Air chamber	1	NBR
73	3049001	Piston ConRod assembly	5	Not shown

(a) Bolt piston side with Loctite 242 Strong.

(c) Attention! Assemble with grease between the Retaining washer and the diaphragm.

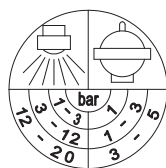
\* Torque: in-lbs +/- 10%

Suggested Oil: AR64532D (32 oz)  
- Crankcase oil capacity: 296 oz

<b>AR 43277</b> BlueFlex™ diaphragms	
<b>AR 43275</b> Buna diaphragms	
<b>AR 43276</b> Desmopan diaphragms	
Pos.	Qty
27	1
46	6
52	12

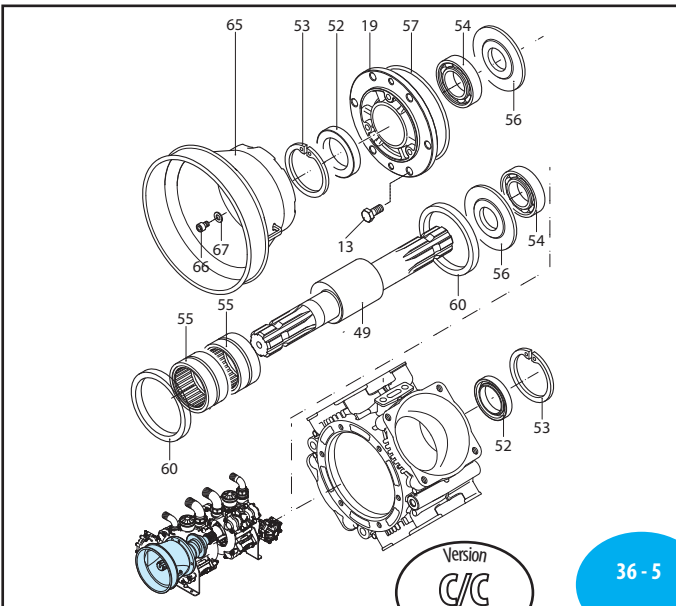
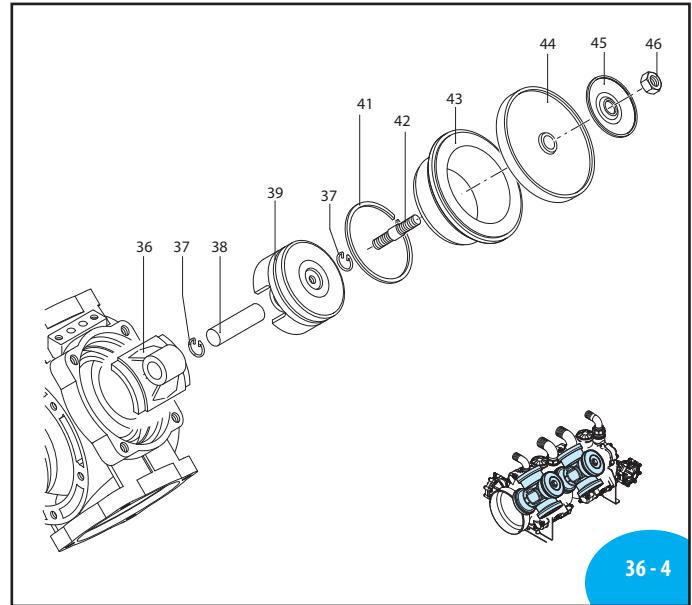
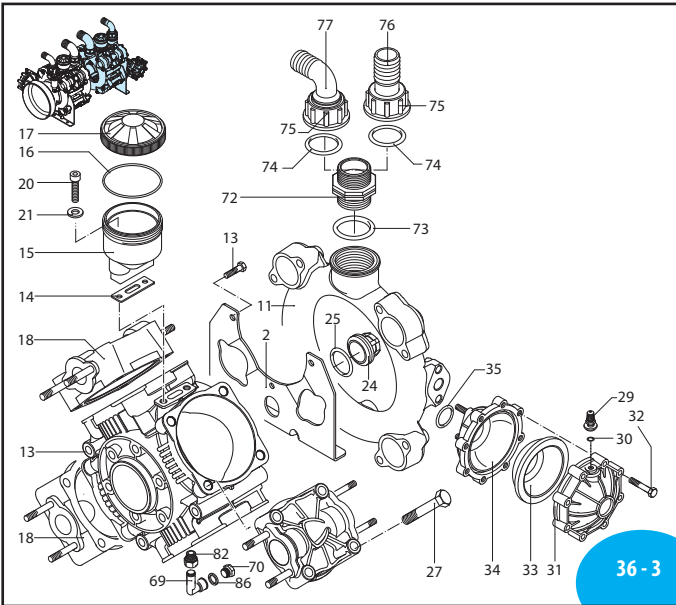
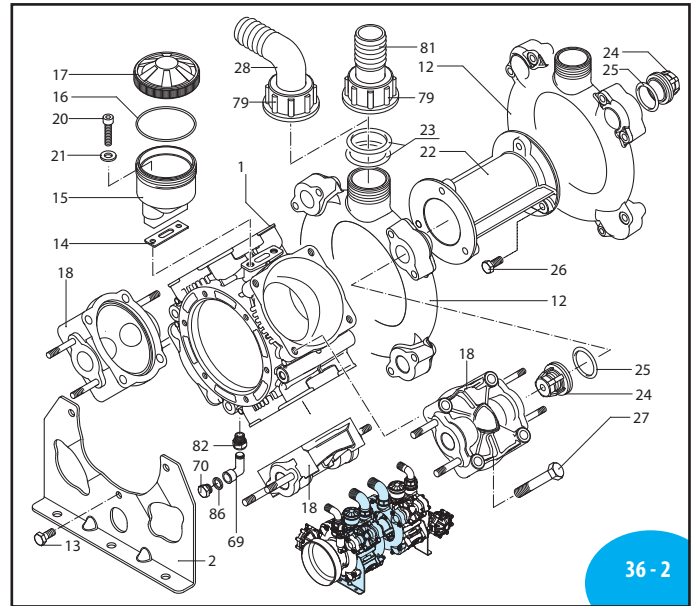
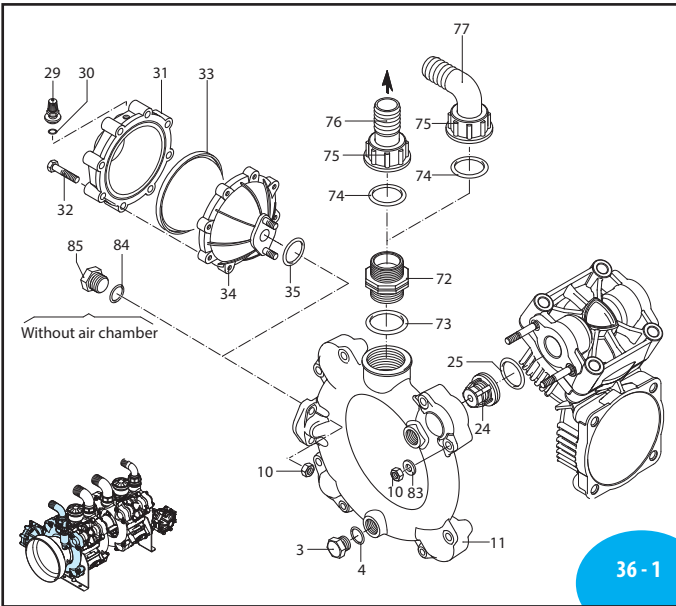
<b>AR 42290</b> Valves	
Pos.	Qty
51	12
52	12

<b>AR 42291</b> O-Rings	
Pos.	Qty
2	1
4	1
6	2
14	2
21	2
22	22
25	1
34	2
59	1



2154700 Air chamber decal

# AR 320 bp TWIN TOP - AR 370 bp TWIN TOP



# AR 320 bp TWIN TOP - AR 370 bp TWIN TOP

	C/C
AR320bp	31723
AR370bp	31724

Low pressure

Pos	Code	Description	Qty	Note
1	761010	Pump body	2	
2	761031	Base	2	
3	330173	Plug 1/2" G	2	Geomet T180*
	330174	Plug 1/2" G	2	SS T180*
4	180101	O-ring Ø 17.5x2	2	
10	380242	Nut M8	36	Geomet T180*
	380244	Nut M8	36	SS T180*
11	760760	Manifold manifold	2	
12	760750	Manifold suction	2	
13	160672	Bolt TE M10x25	12	Geomet T355*
	160673	Bolt TE M10x25	12	SS T355*
14	750040	Gasket	2	
15	750030	Oil sight glass	2	
16	1040060	O-ring Ø 72.69x2.62	2	
17	1800060	Cap black	2	AR270bp
	750050	Cap red	2	AR320bp
18	751350	Head	8	
	751352	Head	8	SS
19	680020	Support	2	
20	680350	Bolt TCEI M8x35	4	T90*
21	380243	Washer	4	Geomet
22	751320	Flange	1	
23	3040470	O-ring Ø 39.3x2.6	4	
24	759054	Valve	16	
25	680070	O-ring Ø 31.5x4.25	16	
26	620321	Bolt TE M10x30	6	Geomet T445*
	620322	Bolt TE M10x30	6	SS T445*
27	750061	Bolt TE M12x65	32	Geomet T445*
	750062	Bolt TE M12x65	32	SS T445*
28	3040430	Elbow 1 1/2"	2	AR320bp
	3040440	Elbow 2"	2	AR370bp
29	180020	Air valve	2	T25*
30	650542	Gasket	2	
31	620232	Semi air chamber upper	2	Black
32	621781	Bolt TE M8x40	16	Geomet T180*
	621782	Bolt TE M8x40	16	SS T180*
33	550190	Diaphragm air chamber	2	NBR
	550191	Diaphragm air chamber	2	Saturflon
	550192	Diaphragm air chamber	2	Viton
	550193	Diaphragm air chamber	2	HPDS
	550194	Diaphragm air chamber	2	BlueFlex™
34	680180	Semi air chamber lower	2	
35	390290	O-ring Ø 29x3	2	
36	760140	Connecting-rod	8	
37	160691	Ring circlip Øi 18	16	
38	160700	Pin	8	
39	750122	Piston Ø 80	4	
41	500260	Piston ring	8	(a)
42	2240100	Hub pin	8	T310*
43	750115	Sleeve	8	AR370bp
	750110	Sleeve	8	AR320bp

Pos	Code	Description	Qty	Note
44	550080	Diaphragm	8	NBR (b)
	550085	Diaphragm	8	Desmopan
	550084	Diaphragm	8	Viton
	550086	Diaphragm	8	HPDS
	550081	Diaphragm	8	BlueFlex™
45	751250	Retaining washer	8	
46	2240110	Nut M10	8	SS T265*
49	750170	Shaft marked AU	2	AR320bp
	750174	Shaft marked AV	2	AR370bp
50	800750	Bolt M8x8	1	T90*
51	761040	Coupling 1"3/8(F)Z=6 45°	1	marked 4 (c)
52	160740	Ring seal	4	
53	200390	Ring circlip Øi 62	4	
54	751280	Bearing	4	
55	750090	Bearing	4	
56	540040	Retaining washer	4	
57	851360	O-ring Ø 120.32x2.62	2	
58	230310	Bearing	1	
60	750130	Ring connecting rod	4	
61	760510	Retaining washer	1	
62	620330	Ring circlip Øi 65	1	
64	2420181	Support	1	
65	1500470	Shield	1	
66	850251	Bolt TCEI M8x12	6	Geomet
	850252	Bolt TCEI M8x12	6	SS
67	390314	Washer	6	Geomet
	390315	Washer	6	SS
69	900210	Fitting 3/8" G M-F	2	
70	2281270	Plug 3/8" G	2	T180*
71	160673	Bolt TE	3	SS T180*
72	751130	Fitting 1"1/2 G M-M	2	
73	751140	O-ring Ø 47.22x3.53	2	
74	390290	O-ring Ø 29x3	2	
75	750670	Ring nut 1 1/2" G	2	
77	751200	Elbow 1 1/4"	2	
79	3040450	Ring nut 2" G	2	
81	760950	Hose barb Ø40	2	Optional AR320bp
	760570	Hose barb Ø50	2	Optional AR370bp
82	1040491	Fitting 3/8" M-F	2	
83	380243	Washer	32	Geomet
	390315	Washer	32	SS
84	740290	O-ring Ø 14x1.78	2	
85	880530	Plug 3/8" G	2	T180*
	2340350	Plug 3/8" G	2	SS T180*
86	2260200	Washer	2	

\* Torque: in-lbs +/- 10%

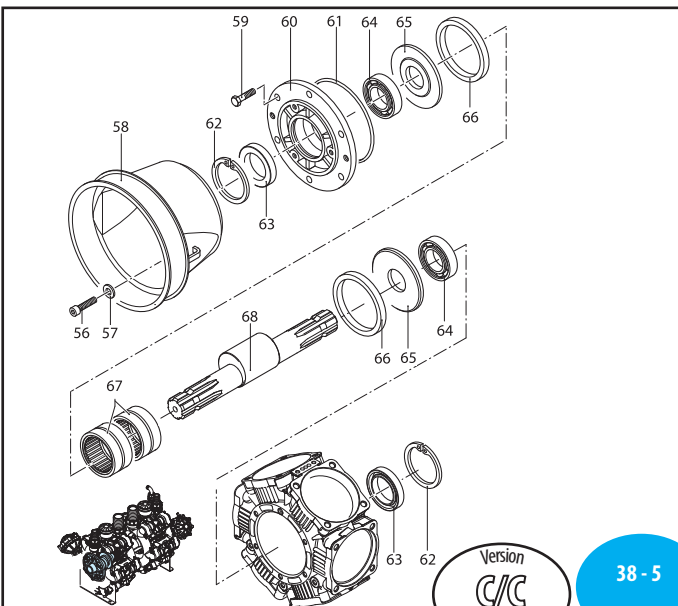
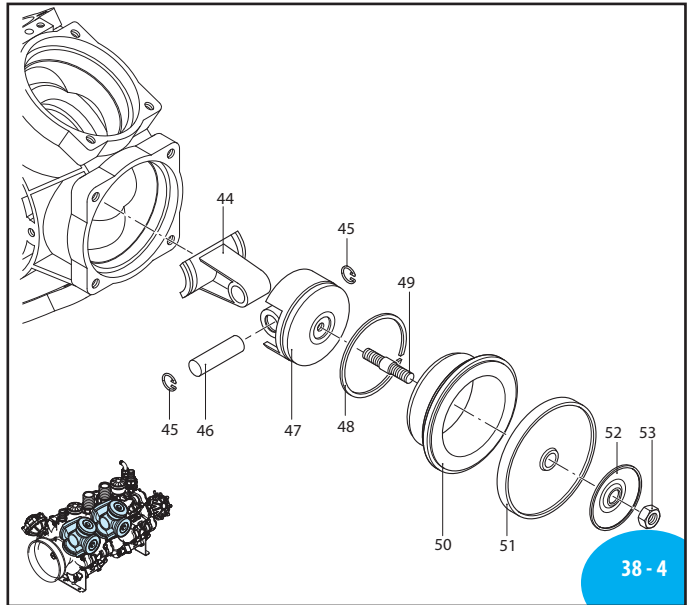
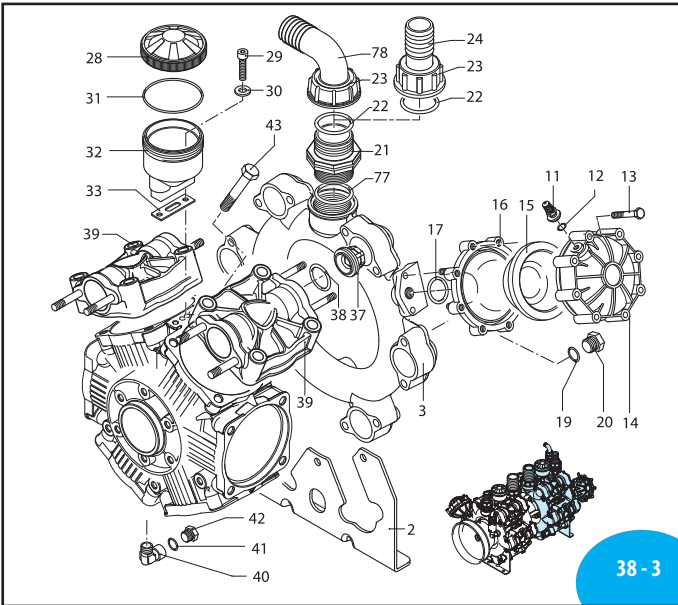
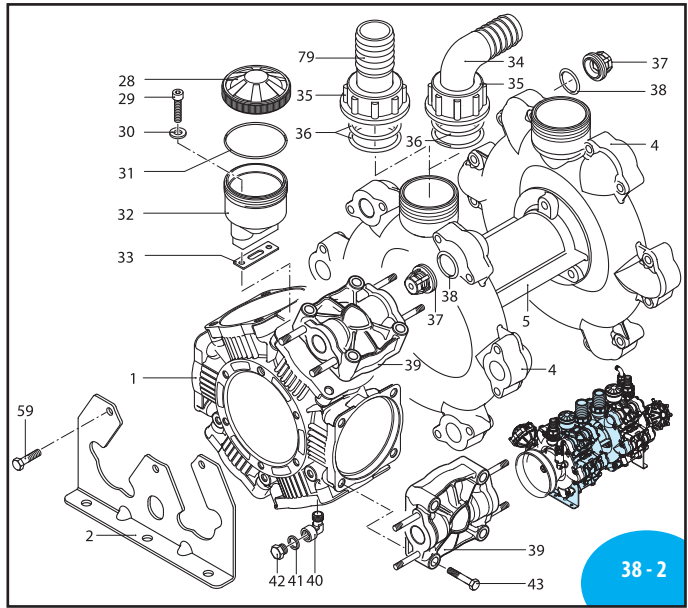
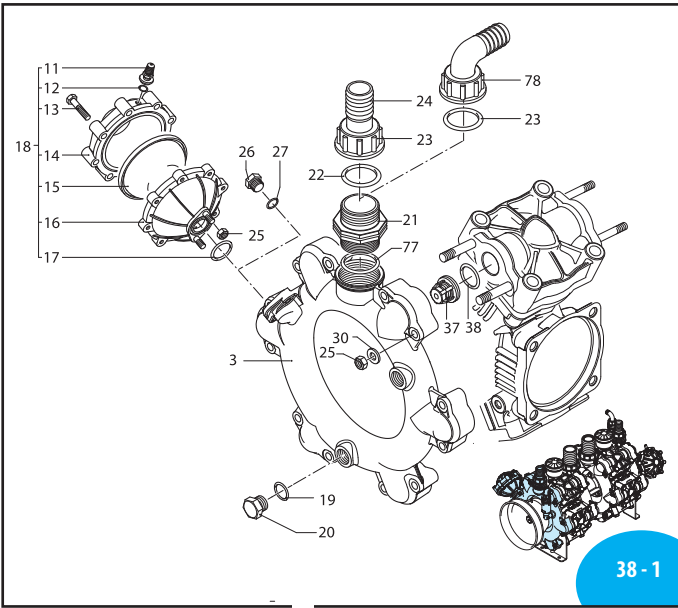
Suggested Oil: AR64532D (32 oz)  
- Crankcase oil capacity: 90 oz

<b>AR 43264</b> Buna diaphragms	
<b>AR 43266</b> Viton diaphragms	
<b>AR 43265</b> Desmopan diaphragms	
<b>AR 43267</b> BlueFlex™ diaphragms	
Pos.	Qty
25	16
33	2
44	8

<b>AR 2374 (Qty 2)</b> Valves	
Pos.	Qty
24	8
25	8

<b>AR 42510 (Qty 2)</b> O-Rings	
Pos.	Qty
4	1
8	1
16	1
23	2
25	8
30	1
35	1
57	1
73	1
74	1
85	2

# AR 500 bp TWIN TOP - AR 560 bp TWIN TOP



# AR 500 bp TWIN TOP - AR 560 bp TWIN TOP

	C/C
AR500bp	31725
AR560bp	31726

Low pressure

Pos	Code	Description	Qty	Note
1	751300	Pump body	2	
2	751290	Base	2	
3	751080	Manifold manifold	2	
4	751070	Manifold suction	2	
5	751320	Flange	1	
11	180020	Air valve	2	T25*
12	650542	Gasket	2	
13	621781	Bolt TE M8x40	16	Geomet
	621782	Bolt TE M8x40	16	SS
14	620232	Semi air chamber upper	2	Black
15	550190	Semi air chamber	2	NBR
	550191	Semi air chamber	2	Saturflon
	550192	Semi air chamber	2	Viton
	550193	Semi air chamber	2	H.P.D.S.
	550194	Air chamber	2	BlueFlex™
16	680180	Air chamber lower	2	
17	390290	O-ring Ø 29x3	2	
18	1552	Air chamber complete	2	
19	180101	O-ring Ø 17.5x2	2	
20	330173	Plug 1/2" G	2	Geomet T180*
	330174	Plug 1/2" G	2	SS T180*
21	751130	Fitting 1"1/2 G M-M	2	
22	390290	O-ring Ø 29x3	4	
23	750670	Ring nut 1 1/2" G	2	
24	760940	Hose barb Ø 35	2	
25	380242	Nut M8	52	Geomet
	380244	Nut M8	52	SS
26	880530	Plug 3/8" G	2	
	2340350	Plug 3/8" G	2	SS
27	740290	O-ring Ø 14x1.78	2	
28	750050	Cap red	2	AR560bp
	1800060	Cap black	2	AR500bp
29	680350	Bolt TCEI M8x35	4	T90*
30	380243	Washer	56	Geomet
31	1040060	O-ring Ø 72.69x2.62	2	
32	750030	Oil sight glass	2	
33	750040	Gasket	2	
34	750850	Elbow 2"	2	AR500bp
35	750710	Ring nut 2" 1/2 G	2	
36	750740	O-ring Ø 56.74x3.53	4	
37	759054	Valve	24	
38	680070	O-ring Ø 31.5x4.25	24	
39	751350	Head	12	
	751352	Head	12	SS
40	750370	Fitting 1/4" G M-F	2	
41	880820	Washer	2	
42	880581	Plug 1/4" G	2	
43	750061	Bolt TE M12x65	48	Geomet T445*
	750062	Bolt TE M12x65	48	SS T445*
44	750140	Connecting-rod	12	
45	160691	Ring circlip Øi 18	24	
46	160700	Pin	12	

Pos	Code	Description	Qty	Note
47	750122	Piston Ø80	12	
48	500260	Piston ring	12	
49	2240100	Hub pin	12	(a) T310*
50	750115	Sleeve	12	
	750110	Sleeve	12	
51	550080	Diaphragm	12	NBR (b)
	550084	Diaphragm	12	Viton
	550085	Diaphragm	12	Desmopan
	550086	Diaphragm	12	HPDS
	550081	Diaphragm	12	BlueFlex™
52	751250	Retaining washer	12	
53	2240110	Nut M10	12	SS T265*
56	850251	Bolt TCEI M8x12	6	Geomet
	850252	Bolt TCEI M8x12	6	SS
57	390314	Washer	55	Geomet
	390315	Washer	65	SS
58	1500470	Shield	2	
59	160672	Bolt TE M10x25	18	Geomet T355*
	160673	Bolt TE M10x25	18	SS T355*
60	680020	Support	2	
61	851360	O-ring Ø 120.32x2.62	2	
62	200390	Ring circlip Øi 62	3	
63	160740	Ring seal	3	
64	751280	Bearing	3	
65	540040	Retaining washer	4	
66	750130	Ring connecting rod	4	
67	750090	Bearing	4	
68	750170	Shaft marked AU	1	
	750174	Shaft marked AV	2	
69	760530	Shaft marked BT	1	
	760520	Shaft marked BS	1	
71	2420181	Support	1	
72	1800090	Ring seal	1	
73	230310	Bearing	1	
74	760510	Retaining washer	1	
75	751410	Coupling 1"3/8 (F) Z=6 30"	1	Marked 6 (c)
76	800750	Bolt M8x8	1	T90*
77	751140	O-ring Ø 47.22x3.53	2	
78	751200	Elbow 1 1/4"	2	
79	750870	Hose barb 2"	2	AR 500 bp
80	620321	Bolt TE M10x30	6	Geomet T310*
	620322	Bolt TE M10x30	6	SS T310*
81	620330	Ring circlip Øi 65	2	

\* Torque: in-lbs +/- 10%

Piston Kit: 759000 (incl. 44-49)

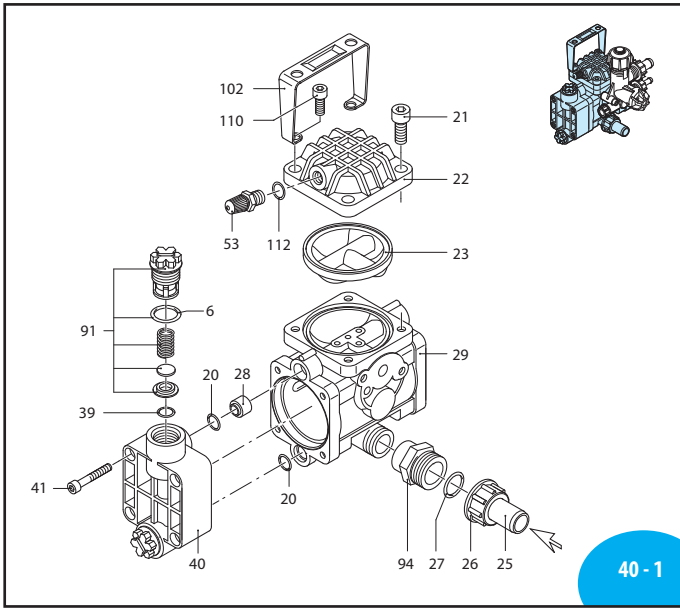
Suggested Oil: AR64532D (32 oz)  
- Crankcase oil capacity: 154 oz

<b>AR 43268</b> Buna diaphragms	
<b>AR 43270</b> Viton diaphragms	
<b>AR 43269</b> Desmopan diaphragms	
<b>AR 43271</b> BlueFlex™ diaphragms	
Pos.	Qty
15	2
38	24
51	12

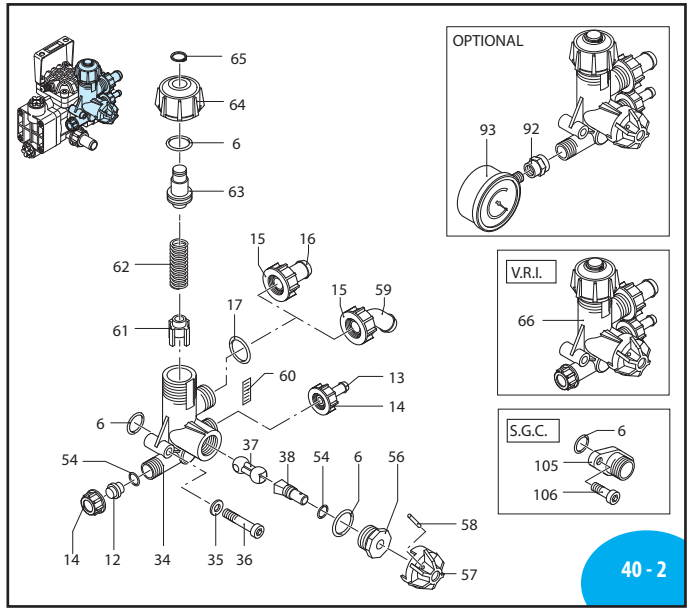
<b>AR 2114 (Qty 2)</b> Valves	
Pos.	Qty
37	12
38	12

<b>AR 42513 (Qty 2)</b> O-Rings	
Pos.	Qty
8	2
17	2
19	1
27	1
31	1
36	2
38	12
61	1
77	1

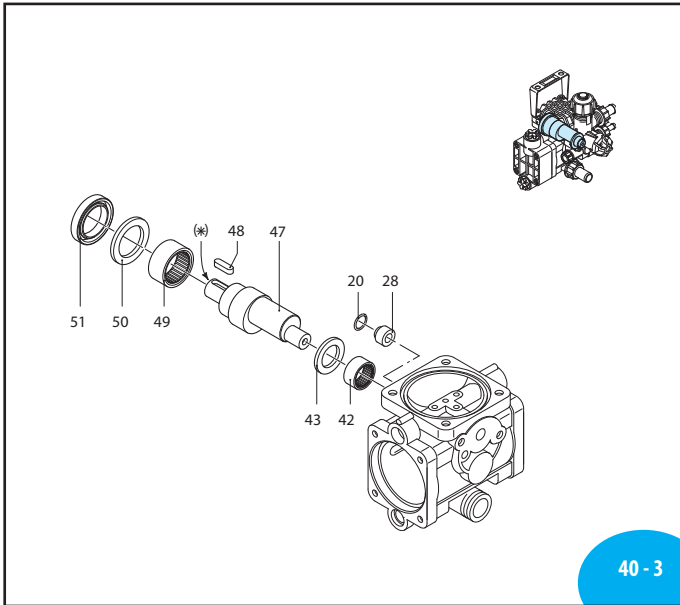




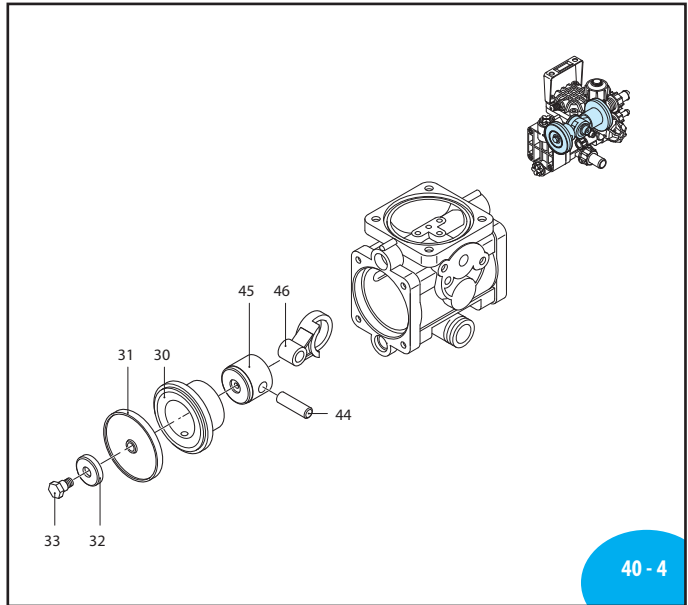
40 - 1



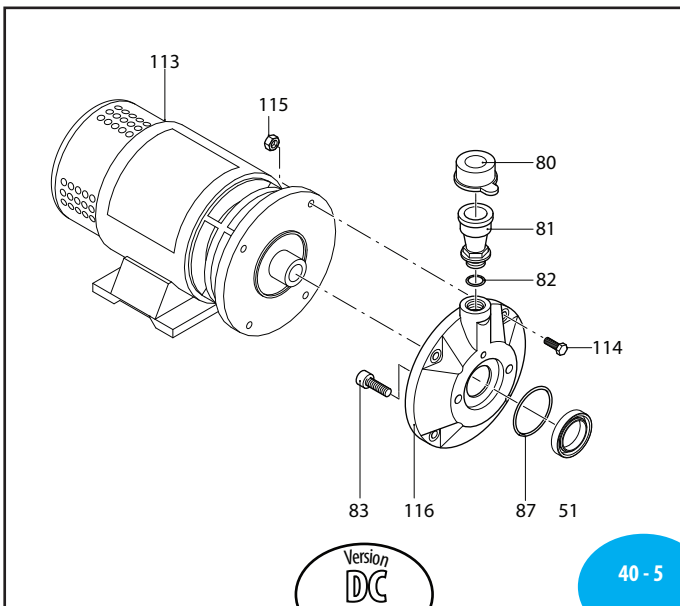
40 - 2



40 - 3



40 - 4



40 - 5



# AR DUE

	VR1-12	VR1-24
ARDUE	32169	32170

Pos	Cod.	Description	Q.ty	Note
6	480440	O-ring	Ø 17,13x2,62	7
12	800540	Plug		1
13	800530	Hose barb	Ø 8	1
14	800520	Ring nut	3/8" G	2
15	800680	Ring nut	M22x1,5	1
16	800670	Hose barb	5/8"	1
17	740290	O-ring	Ø 14x1,78	1
20	880840	O-ring	Ø 9,25x1,78	5
21	180030	Bolt	TCEI M8x20	2 T180*
22	1200230	Semi air chamber	upper	1
23	1200190	Semi air chamber		1
	1200191	Air chamber Diaphragm		1 BlueFlex™
25	800340	Hose barb	3/4"	1
26	550450	Ring nut	3/4" G	1
27	390180	O-ring	Ø 18,72x2,62	1
28	1200220	Ring		3
29	1200013	Pump body		1
30	1200110	Sleeve		2 1450 r.p.m.
	1200111	Sleeve		2 1750 r.p.m.
31	1200080	Diaphragm		2 NBR
	1200085	Diaphragm		2 Desmopan
	1200081	Diaphragm		2 BlueFlex™
32	1200300	Retaining washer		2
33	1200090	Hub pin		2
34	800400	Valve body		1
35	550331	Washer		2
36	800410	Bolt	TCEI M6x40	2 T90*
37	800430	Valve		1
38	800490	Hub pin		1
39	394280	O-ring	Ø 12,42x1,78	4
40	1200100	Head		2
41	800410	Bolt	TCEI M6x40	8 T90*
42	1200310	Bushing		1
43	1200160	Spacer		1
44	1200130	Pin		2
45	1200120	Piston	Ø 30	2
46	1200140	Connecting-rod		2
47	1200170	Shaft	marked A	1 1450 r.p.m.
	1200171	Shaft	marked B	1 1750 r.p.m.
48	1200450	Key		1
49	1200180	Bushing		1
50	1200150	Retaining washer		1
51	1200200	Ring	seal	1
53	1200280	Air valve		1
54	800560	O-ring	Ø 8,73x1,78	2
56	800500	Ring nut		1
57	800510	Knob		1
58	390330	Pin		1

Pos	Cod.	Description	Q.ty	Note
59	1200860	Elbow	Ø 13	1
60	800480	Retaining washer		1
61	800440	Guide		1
62	800452	Spring		1 10 bar
	800450	Spring		1 20 bar
63	800460	Guide		1
64	800470	Knob		1
65	480550	Ring	circlip øe 12	1
66	1998	Control unit	Assy	1 10 bar
	1912	Control unit	Assy	1 20 bar
70	800270	Ring	seal	1
71	680750	Nut	M5	3 T90*
72	480650	Washer		3
73	800920	Bolt	TE M5x30	2 T90*
74	480560	O-ring	Ø 6,75x1,78	1
75	395250	O-ring	Ø 69,57x1,78	1
76	1200251	Driven Gear	Z=37	1
77	1200242	Box		1
78	851280	Washer		1
79	800920	Bolt	TE M5x30	1 T90*
80	800330	Cap		1
81	1201100	Oil sight glass		1
82	770140	O-ring	Ø 11,11x1,78	1
83	1200430	Bolt	TCEI M6x16	2 T90*
84	1200320	Flange		1
85	480630	Washer		4
86	1200530	Bolt	TE M5x14	4 T90*
87	1201760	O-ring	Ø 39,45x1,78	1
91	1209050	Valve		4
92	801060	Threaded adapter	3/8" G - 1/4" G	1 Optional
93	801050	Pressure gauge		1 Optional 0-30 bar
94	1200850	Fitting		1
100	1200890	O-ring	Ø 2,57x1,78	1
102	800390	Knob		1
105	800692	Flange		1
106	880280	Bolt	TCEI M6x18	2 T90*
110	320360	Bolt	TCEI M8x22	2 T180*
112	600180	O-ring	Ø 7,66x1,78	1
113	44624	Motor 12V		1
	44625	Motor 24V		1
114	480621	Bolt		1
115	2480320	Nut		1
116	1200020	Adapter plate		1

\* Torque: in-lbs +/- 10%

Suggested Oil: AR64532D (32 oz)  
- Crankcase oil capacity: 8 oz

Medium pressure

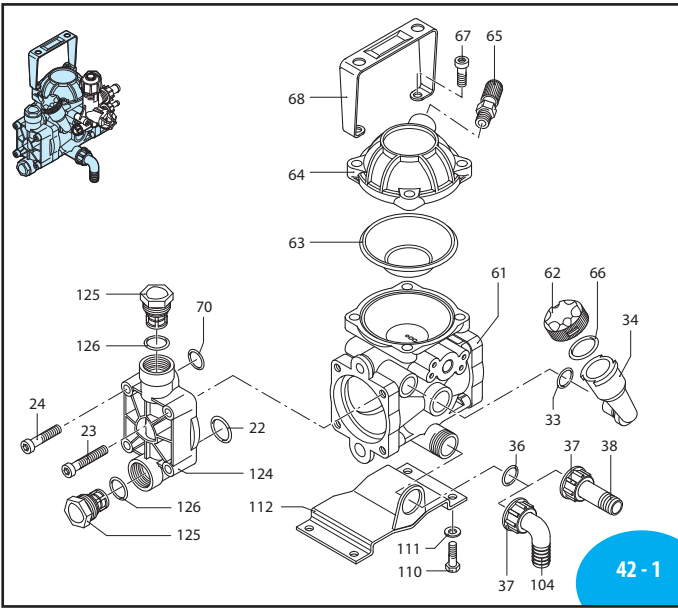
AR 43787 BlueFlex™ diaphragms	
Pos.	Q.ty
31	2

AR 1992 Valvole Valves	
Pos.	Q.ty
39	4
91	4

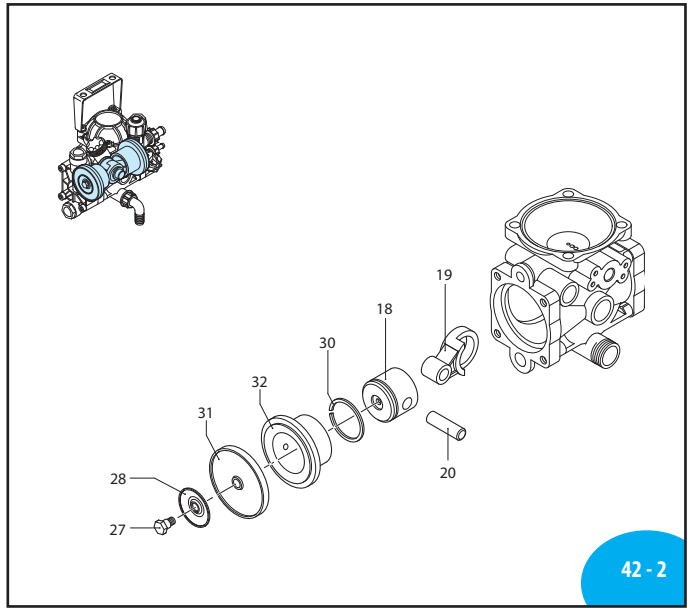
AR 2465 OR O-Rings	
Pos.	Q.ty
6	7
17	1
20	6
27	1
39	4
54	2
112	1

# A.R. NORTH AMERICA

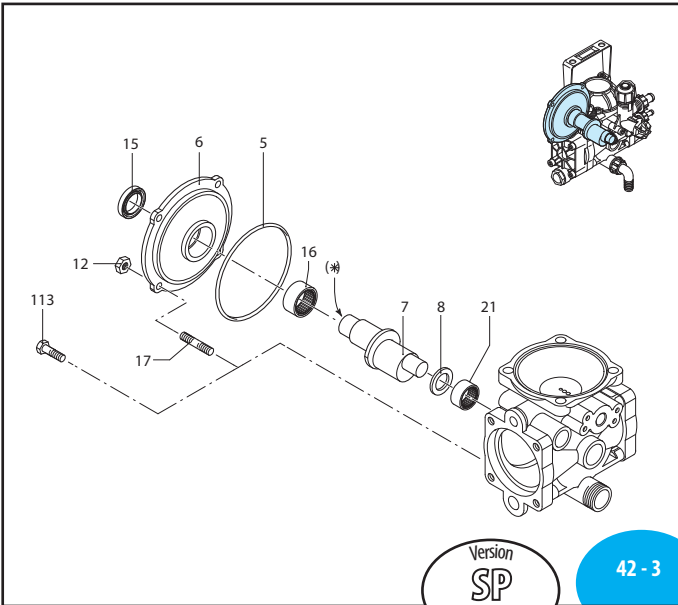
## AR 252



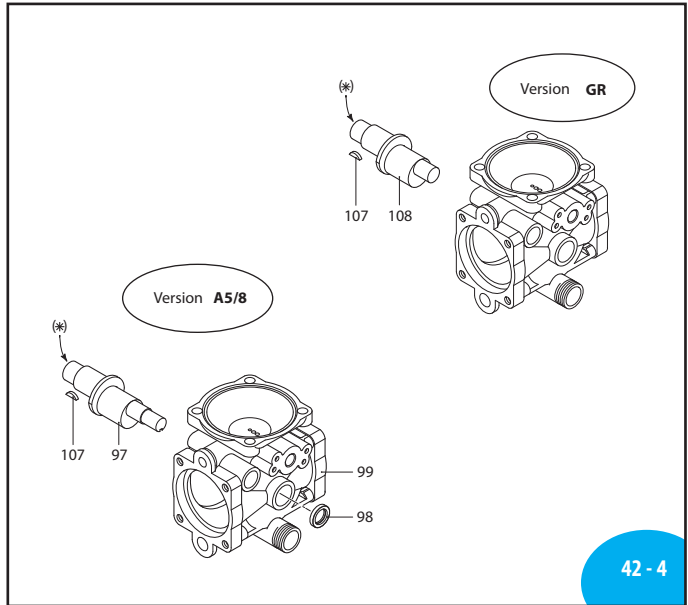
42 - 1



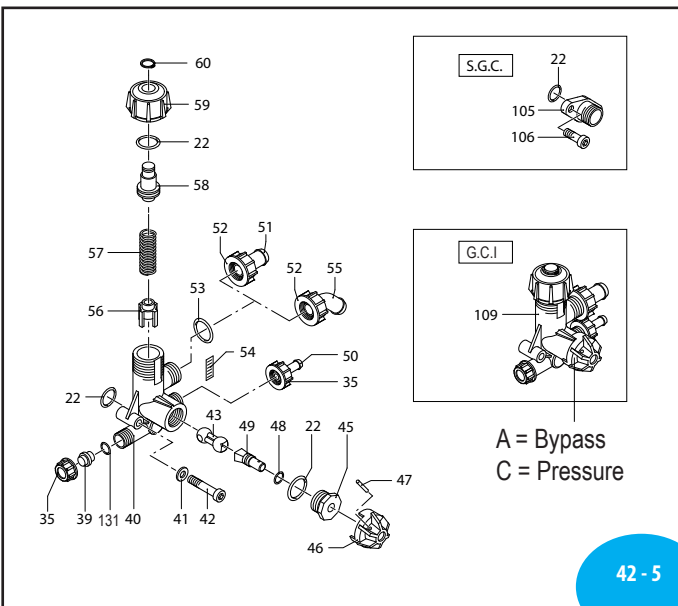
42 - 2



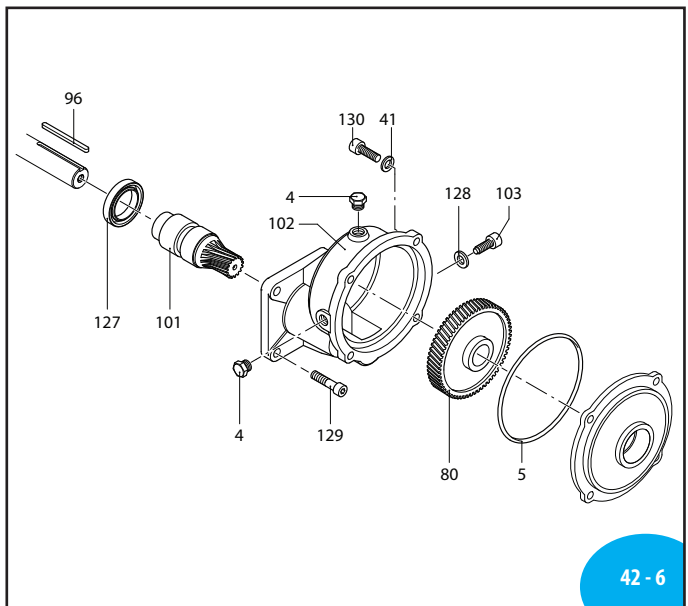
42 - 3



42 - 4



42 - 5



42 - 6

# AR 252

	SGC	A5/8	GCI5/8	GCI3/4	A5/8-GCI
AR252-SP	31728	32094	31729	31727	31731

Pos	Code	Description	Qty	Note
4	620301	Plug 3/8" G	2	T88*
5	800380	O-ring Ø 97x1.6	2	
6	800020	Flange	1	
7	800170	Shaft marked C	1	3/4" solid shaft
8	800160	Spacer	1	
12	390440	Nut M6	4	
15	800200	Ring seal	1	
16	800180	Bushing	1	
17	550330	Stud	4	
18	802070	Piston Ø 42	2	T180*
19	800140	Connecting-rod	2	
20	800130	Pin	2	
21	480370	Bushing	1	
22	480440	O-ring Ø 17.13x2.62	5	
23	680360	Bolt TCEI M8x50	1	T180*
24	800220	Bolt TCEI M8x45	7	T180*
27	800090	Hub pin	2	
	800091	Hub pin	2	For Viton T180*
28	800350	Retaining washer	2	
30	802080	Piston ring	2	
31	800080	Diaphragm	2	NBR
	800081	Diaphragm	2	Viton
	800085	Diaphragm	2	Desmopan
	800086	Diaphragm	2	HPDS
	800082	Diaphragm	2	BlueFlex™
32	802050	Sleeve	2	AR 252
	802051	Sleeve	2	AR 252 (Viton)
33	740290	O-ring Ø 14x1.78	4	
34	801960	Oil sight glass	1	
35	800520	Ring nut	1	
36	390180	O-ring Ø 18.72x2.62	1	
37	550450	Ring nut 3/4" G	2	
38	800340	Hose barb 3/4"	1	
39	800540	Plug	1	
40	800400	Valve body	1	
41	550331	Washer	6	Z/B
42	800410	Bolt TCEI M6x40	2	
43	800430	Valve	1	
45	800500	Ring nut	1	
46	800510	Knob	1	
47	390330	Pin	1	
48	800560	O-ring Ø 8.73x1.78	2	
49	800490	Hub pin	1	
50	800530	Hose barb Ø 8	1	
51	800670	Hose barb Ø 15	1	
52	800680	Ring nut M22x1.5	1	
53	740290	O-ring Ø 14x1.78	4	

Pos	Code	Description	Qty	Note
54	800480	Retaining washer	1	
56	800440	Guide	1	
57	800450	Spring	1	
58	800460	Guide	1	
59	800470	Knob	1	
60	480550	Ring Circlip ø e 12	1	290 PSI
61	800010	Pump body	1	
62	550057	Cap	1	
63	800190	Semi air chamber lower	1	Buna
	800191	Semi air chamber lower	1	Viton
	800192	Air chamber Diaphragm	1	BlueFlex™
64	800230	Semi air chamber upper	1	Black
	800232	Semi air chamber upper	1	Red
65	800650	Air valve	1	
66	550040	O-ring Ø 26.65x2.62	1	
67	540290	Bolt TCEI M8x25	4	T205*
68	800390	Knob	1	
70	800210	O-ring Ø 13.10x2.62	2	
80	800280	Driven Gear Z=57	1	
96	881090	Key	1	
97	800173	Shaft marked F	1	through shaft 5/8"
98	800960	Ring seal	1	
99	800011	Pump body	1	
101	800810	Pinion Z=13	1	3/4"
	801230	Pinion Z=13	1	5/8"
102	800820	Box	1	
103	800800	Bolt TCEI M8x16	1	
104	550460	Elbow 3/4"	2	
105	800692	Flange	1	
106	880280	Bolt TCEI M6x18	2	
107	800590	Key	1	
108	800171	Shaft marked D	1	GR version
109	1912	Control Unit Assy	1	290 PSI
110	180431	Bolt TE M8x16	2	T205*
111	380241	Washer	2	
112	800311	Base	1	
113	320350	Bolt TE M6x12	4	T90*
124	801940	Head	2	
125	809060	Complete valve	4	
126	880830	O-ring Ø 15.54x2.62	4	
127	480820	Ring	1	
128	1260100	Washer	2	
129	620440	Bolt TCEI 5/16" 24 UNF 7/8"	4	
130	850850	Bolt TCEI M 6x30	4	T177*
131	800560	O-Ring Ø 8.73x1.78	1	

\* Torque: in-lbs +/- 10%

Suggested Oil: AR64532D (32 oz)  
- Crankcase oil capacity: 13 oz

Medium pressure

<b>AR 43278</b> Buna diaphragms	
<b>AR 43281</b> BlueFlex™ diaphragms	
<b>AR 43279</b> Desmopan diaphragms	
Pos.	Qty
22	2
31	2
63	1
70	2
126	4

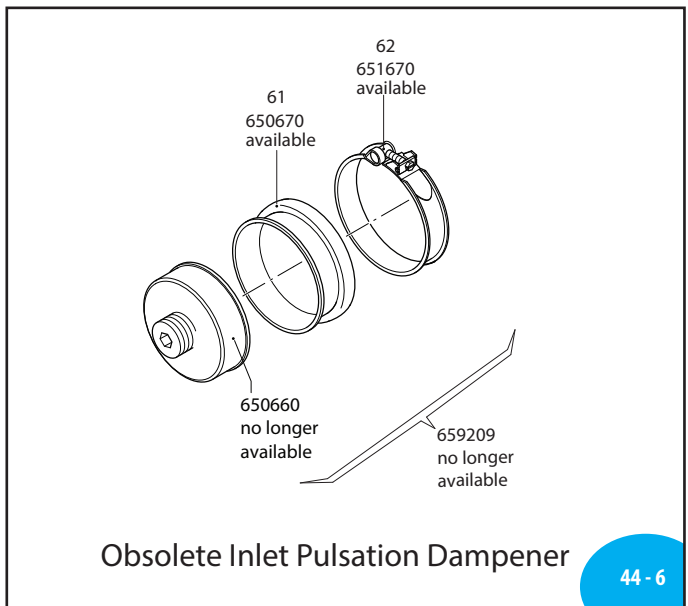
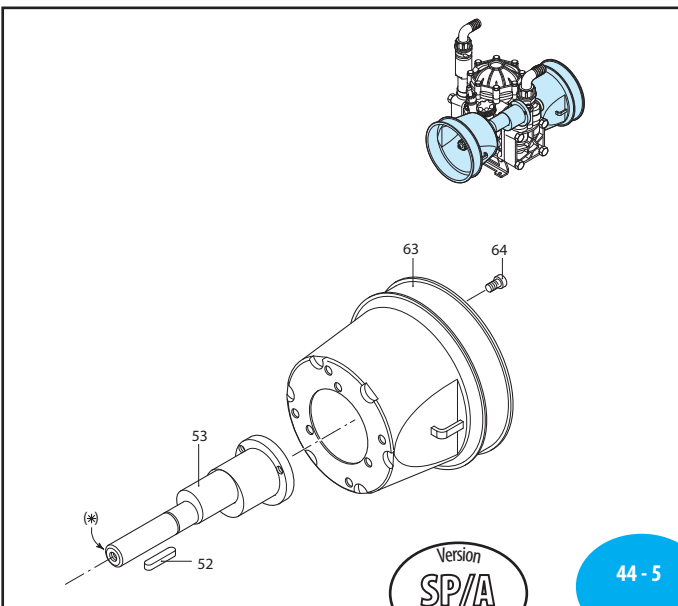
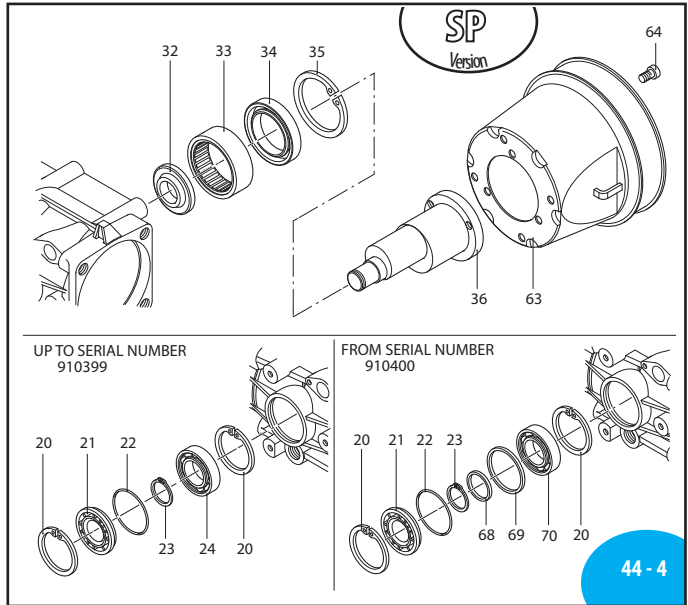
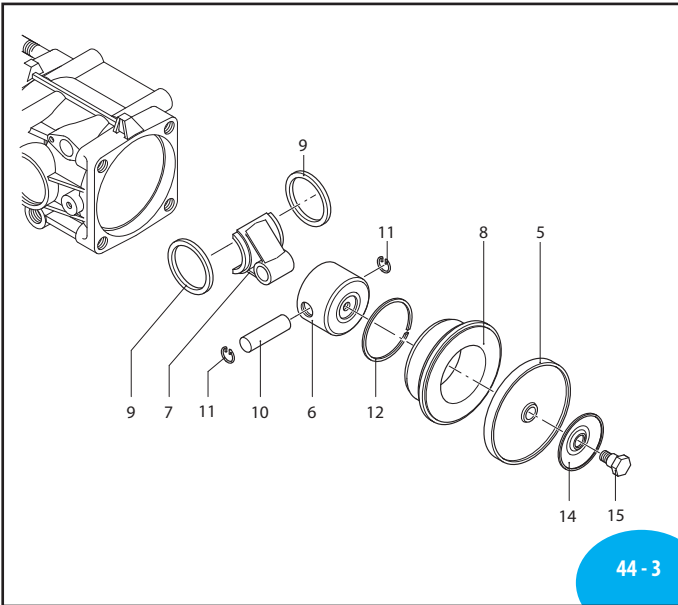
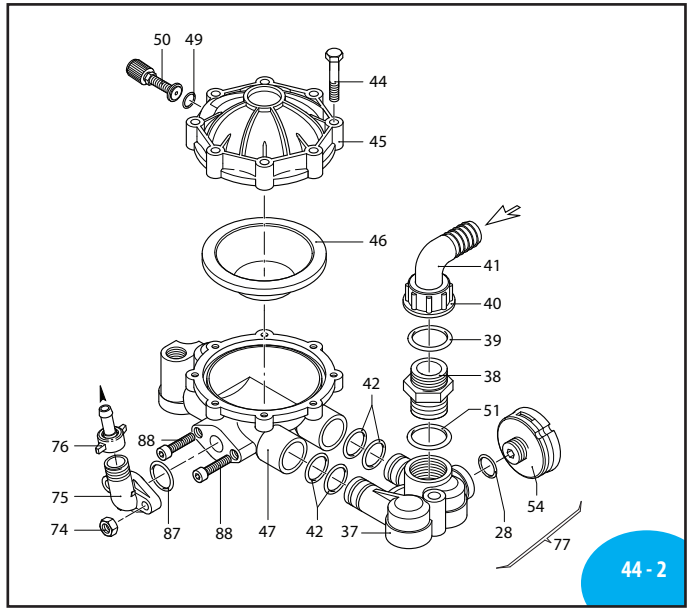
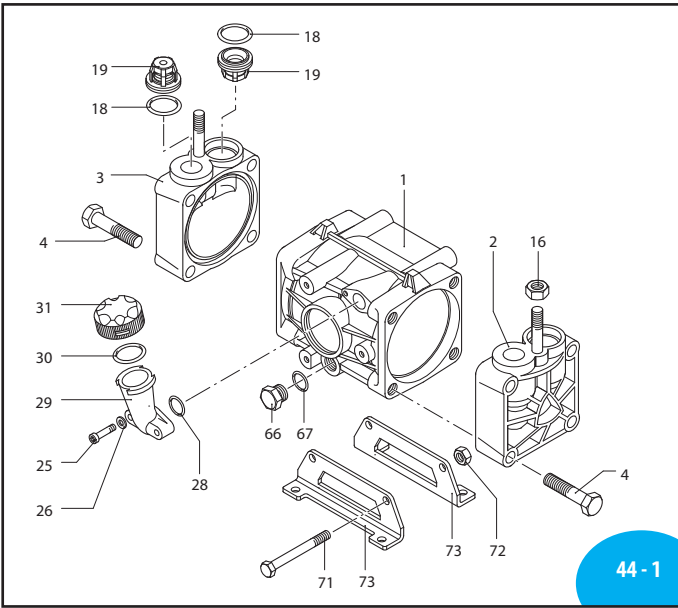
<b>AR 2408</b> Valves	
Pos.	Qty
125	4
126	4

<b>AR 2409</b> O-Rings	
Pos.	Qty
5	2
22	5
33	4
36	1
48	2
53	1
66	1
70	2
126	4

<b>AR 42506</b> Sight Glass	
Pos.	Qty
34	1
62	1
66	1

# A.R. NORTH AMERICA

## AR 30 / AR 40





# AR 30 / AR 40

	SP	SP/A3/4
AR30	31732	31733
AR40	33044	33045

Pos	Code	Description	Qty	Note
1	620011	Pump body	1	
2	620101	Head	1	
3	620102	Head	1	
4	621430	Bolt TE M12x55	8	T445*
5	620080	Diaphragm	2	NBR
	620081	Diaphragm	2	Viton
	620085	Diaphragm	2	Desmopan
	620082	Diaphragm	2	BlueFlex™
6	620120	Piston Ø 56	2	
7	620140	Connecting-rod	2	
8	620110	Sleeve	2	AR30
	622190	Sleeve	2	AR40
9	580470	Ring connecting rod	2	
10	380300	Pin	2	
11	380080	Ring circlip Øi 14	4	
12	160230	Piston ring	2	
14	1040180	Retaining washer	2	
15	580360	Hub pin	2	T180*
16	180150	Nut M10	2	T350*
18	620030	O-ring Ø 25.80x3.53	4	
	620031	O-ring Ø 25.80x3.53	4	Viton
19	629050	Valve	4	
20	111120	Ring circlip Øi 47	2	
21	620020	Cover	1	
22	620210	O-ring Ø 40.95x2.62	1	
23	620291	Ring circlip Øe 20	1	
24	620191	Bearing	1	
25	850850	Bolt TCEI M6x30	2	T90*
26	550331	Washer	2	
28	180101	O-ring Ø 17.5x2	2	
29	550030	Oil sight glass	1	
30	550040	O-ring Ø 26.65x2.62	1	
31	550050	Cap Orange	1	AR30
	550052	Cap Black	1	AR40
32	620160	Spacer	1	
33	550060	Bushing	1	
34	620130	Ring seal	1	
35	620330	Ring circlip Øi 65	1	
36	620170	Shaft	1	(N) AR30
	622200	Shaft	1	AR40
37	620150	Manifold	1	
38	550340	Fitting 1" G M-M	1	AR30
	450120	Fitting 1" G - 1 1/4" G M-M	1	AR40
39	550350	O-ring Ø 23.81x2.62	1	AR30
	390290	O-ring Ø 29x3	1	AR40
40	550242	Ring nut 1" G	1	AR30
	550870	Ring nut 1 1/4" G	1	AR40
41	550370	Elbow 1"	1	AR30
	580040	Elbow 1 1/4" G	1	AR40
42	390060	O-ring Ø 20.63x2.62	4	
44	621780	Bolt TE M8x40	8	T180*

Pos	Code	Description	Qty	Note
45	620230	Semi air chamber upper	1	Red
	629211	Semi air chamber upper / w-air valve	1	
46	550194	Air chamber Diaphragm	1	BlueFlex™
	550190	Air chamber Diaphragm	1	NBR
47	622070	Semi air chamber lower	1	
49	650542	Gasket	1	
50	180020	Air valve	1	
51	390290	O-ring Ø 29x3	1	
52	620680	Key	1	For 620172
53	620172	Shaft marked P	1	Ø 20 mm (P) AR30
	620174	Shaft marked R	1	Ø 3/4" (R) AR30
	622210	Shaft	1	Ø 3/4" (R) AR40
55	620661	Flange	1	
56	620670	Washer	1	
57	180370	Bolt TE M8x25	1	T180*
58	620630	Ring AP Shaft seal	1	
59	620021	Cover AP Cover	1	
60	650660	Diaphragm holder anodized	1	NLA Obsolete
61	650670	Diaphragm	1	NBR
	650671	Diaphragm	1	BlueFlex™
62	651670	Clamp	1	
63	1500350	Shield	1	
64	820670	Bolt TCEI M10x16	4	T90*
65	620190	Bearing	1	
66	880530	Plug 3/8" G	1	T180*
67	740290	O-ring Ø 14x1.78	1	
68	620930	Spacer	1	
69	620940	Spacer	1	
70	380230	Bearing	1	
71	380210	Bolt TE M8x75	2	T265*
72	380240	Nut M8	2	
73	380200	Base	2	
74	390270	Nut M8	2	T180*
75	450145	Flange	1	
76	110130	Ring nut 1/2"	1	
77	46730	Inlet pulsation damper assembly	1	
87	550350	O-ring Ø 23.81x2.62	1	
88	540290	Bolt TCEI M8x25	2	

\* Torque: in-lbs +/- 10%

AR1522 Complete manifold w/safety valve

Suggested Oil: AR64532D (32 oz)  
- Crankcase oil capacity: 26 oz

Medium pressure

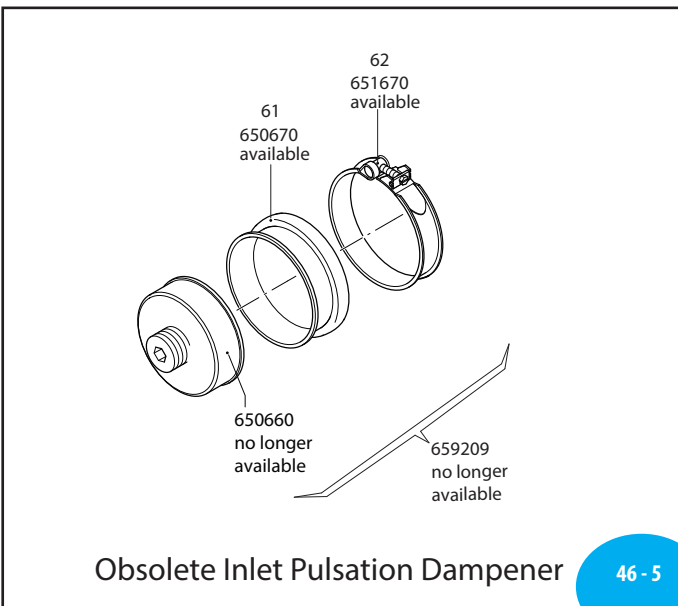
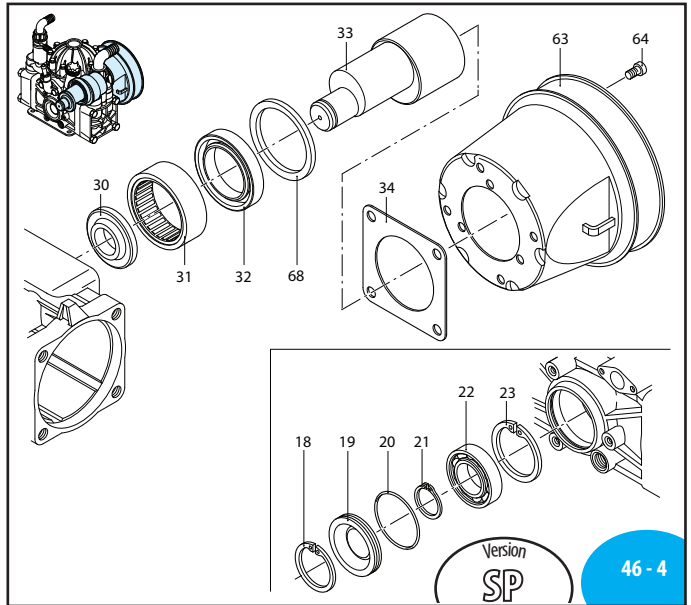
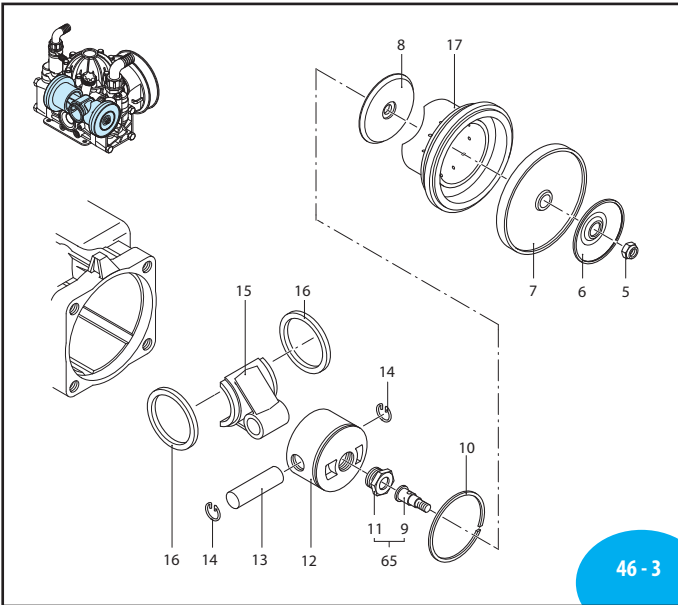
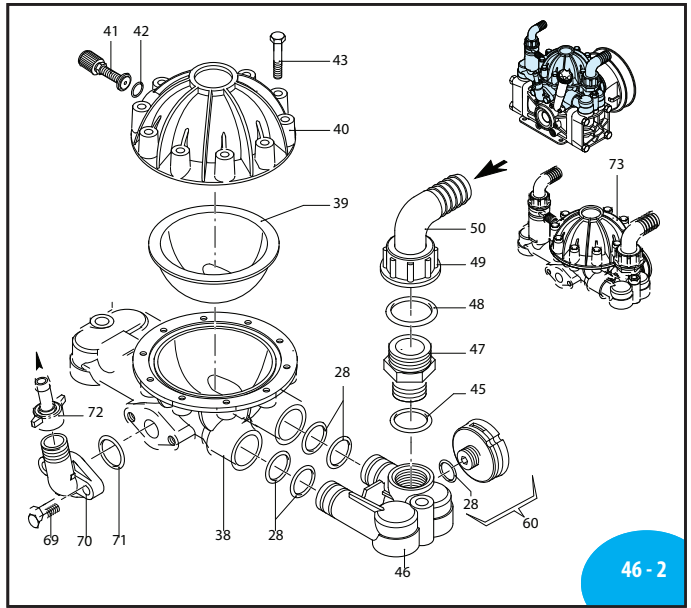
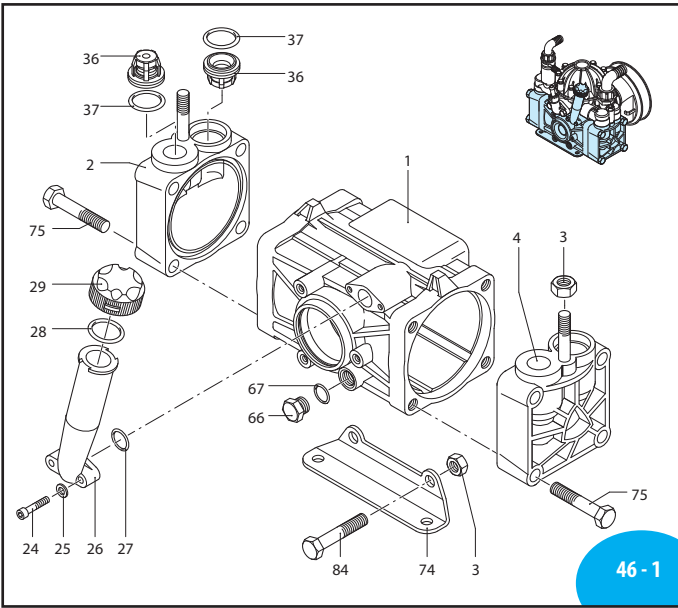
AR 43282 Buna diaphragms	
AR 43285 BlueFlex™ diaphragms	
AR 43283 Desmopan diaphragms	
Pos.	Qty
5	2
18	4
46	1

AR 1917 Valves	
Pos.	Qty
18	4
19	4

AR 1916 O-Rings	
Pos.	Qty
18	4
22	1
28	2
39	2
42	4
49	1
51	1
67	1

# A.R. NORTH AMERICA

## AR 50



# AR 50

	SP	SP/A1	GR3/4-GCI	GRI-GCI
AR50	31736	31737	33132	31739

Pos	Code	Description	Qty	Note
1	650011	Pump body	1	
2	650102	Head	1	
3	320130	Nut M12	4	T445*
4	650101	Head	1	
5	160311	Nut M8	2	SS T180*
6	650390	Retaining washer	2	
7	650081	Diaphragm	2	Viton
	650082	Diaphragm	2	NBR
	650085	Diaphragm	2	Desmopan
	650080	Diaphragm	2	BlueFlex™
	650090	Retaining washer	2	
9	650320	Hub pin	2	
10	650190	Piston ring	2	
11	650061	Bushing	2	
12	650121	Piston Ø 63	2	
13	650071	Pin	2	
14	160691	Ring circlip Øi 18	4	
15	650142	Connecting-rod	2	
16	650130	Ring connecting rod	2	
17	650111	Sleeve	2	
18	200390	Ring circlip Øi 62	1	
19	650040	Cover	1	
20	650920	O-ring Ø 53.65x2.62	1	
21	650480	Ring circlip Øe 30	1	
22	230330	Bearing	1	
23	161050	Ring circlip Øi 72	1	
24	850850	Bolt TCEI M6x30	2	T90*
25	550331	Washer	2	
26	650030	Oil sight glass	1	
27	180101	O-ring Ø 17.5x2	2	
28	550040	O-ring Ø 26.62x2.62	5	
29	550050	Cap	1	
30	650160	Spacer	1	
31	650200	Bearing	1	
32	1400150	Ring seal	1	
33	650170	Shaft marked S	1	
34	1400140	Flange	1	
35	961340	Washer	1	
36	659050	Valve	4	
37	320030	O-ring Ø 31.5x4.5	4	
38	659204	Semi air chamber	1	
39	650520	Diaphragm pulsation dampener	1	NBR
	650523	Diaphragm pulsation dampener	1	BlueFlex™
40	650230	Semi air chamber upper	1	Red
41	180020	Air valve	1	
42	650542	Gasket	1	
43	621780	Bolt TE M8x40	10	T180*
45	390290	O-ring Ø 29x3	1	
46	650150	Manifold	1	

Pos	Code	Description	Qty	Note
47	450120	Fitting 1" G - 1" 1/4 G M-M	1	
48	390290	O-ring Ø 29x3	1	
49	550870	Ring nut 1" 1/4 G	1	
50	580040	Elbow 1 1/4"	1	
51	650250	Key	1	For 650171
52	650171	Shaft marked T	1	Ø 25 mm
	650178	Shaft marked U	1	Ø 25.4 mm
	650179	Shaft marked V	1	Ø 30 mm
56	650300	Coupling	1	For 650171
57	680350	Bolt TCEI M8x35	1	T180*
58	650490	Ring seal	1	
59	650041	Cover	1	
60	46730	Inlet pulsation dampener assembly	1	
61	650670	Diaphragm	1	NBR
	650671	Diaphragm	1	BlueFlex™
62	651670	Clamp	1	
63	1500350	Shield	2	
64	820670	Bolt TCEI M10x16	4	T90*
65	659080	Bushing complete	2	
66	880530	Plug 3/8" G	1	T180*
67	740290	O-ring Ø 14x1.78	1	
68	1400110	Ring	1	
69	540290	Bolt TCEI M8x25	2	T180*
70	450145	Flange	1	
71	550350	O-ring Ø 23.81x2.62	1	
72	110130	Ring nut 1/2"	1	
73	43518	Accumulator Assy	1	BlueFlex™
	1523	Accumulator Assy	1	NBR
74	320392	Base	2	
75	750060	Bolt TE M12x65	8	T445*
81	380241	Washer	3	
82	1200521	Spacer	3	
83	680350	Bolt TCEI M8x35	3	T90*
84	750060	Bolt TE M12x65	2	T265*
86	330170	Plug Lower Air Chamber	1	Not shown
87	180101	O-Ring for lower air chamber plug	1	Not shown

\* Torque: in-lbs +/- 10%

Suggested Oil: AR64532D (32 oz)  
- Crankcase oil capacity: 36 oz

Medium pressure

<b>AR 43290</b> Buna diaphragms	
<b>AR 43293</b> BlueFlex™ diaphragms	
<b>AR 43291</b> Desmopan diaphragms	
Pos.	Qty
7	2
37	4
39	1

<b>AR 1920</b> Valves	
Pos.	Qty
36	4
37	4

<b>AR 1919</b> O-Rings	
Pos.	Qty
20	1
27	2
28	5
37	4
42	1
45	1
67	1
71	1



# AR 303 - AR 403

	SP	GR3/4-GCI
AR303	31740	31742
AR403	31743	31745

Pos	Code	Description	Qty	Note
1	800090	Hub pin	3	T180*
	800091	Hub pin	3	Viton T180*
2	800350	Retaining washer	3	
3	800080	Diaphragm	3	NBR
	800081	Diaphragm	3	Viton
	800085	Diaphragm	3	Desmopan
	800086	Diaphragm	3	HPDS
	800082	Diaphragm	3	BlueFlex™
	4	1880440	Sleeve	3
4	1880441	Sleeve	3	AR 303 Viton
	1880050	Sleeve	3	AR 403
	1880051	Sleeve	3	AR 303
	5	1880110	Piston ring	3
6	1880060	Piston	3	Ø 50
7	1880120	Pin	3	
8	380080	Ring	6	circlip Øi 14
9	1880070	Connecting-rod	3	
10	1880101	Shaft	1	marked 2 AR 303
	1880100	Shaft	1	marked 1 AR 403
11	1500350	Shield	1	
12	900270	Washer	4	
13	820670	Bolt	4	T90*
14	620330	Ring	1	circlip Øi 65
15	620130	Ring	1	seal
16	550060	Bushing	1	
17	1880190	Ring	1	seal
18	1880180	Ring	2	connecting rod
19	1880170	Spacer	1	
20	111120	Ring	1	circlip Øi 47
21	1461430	Bearing	1	
22	620291	Ring	1	circlip Øe 20
23	850250	Bolt	3	T90*
24	380241	Washer	3	
25	780060	Bolt	3	T90*
26	1880021	Manifold	1	suction
27	1880020	Manifold	1	suction
28	390290	O-ring	1	Ø 29x3
29	550340	Fitting	1	1" G M-M
30	550350	O-ring	1	Ø 23.81X2.62
31	550242	Ring nut	1	1"G

Pos	Code	Description	Qty	Note
32	550370	Elbow	1	1"
33	390201	O-ring	1	for C/SP thru-shaft
34	1880130	O-ring	1	Ø 88.57x2.62
35	390180	O-ring	1	Ø 18.72x2.62
36	550331	Washer	2	
37	1200440	Bolt	2	TCEI M6x35
38	1040310	Oil sight glass	1	
39	650920	O-ring	1	Ø 53.65x2.62
40	1040326	Cap	1	black AR 303
	1040324	Cap	1	red AR 403
41	540290	Bolt	2	TCEI M8x25
42	450145	Flange	1	
42	450148	Flange	1	straight Optional -Not shown
43	1880160	Shaft	1	marked 4 AR 403
44	110130	Ring nut	1	1/2"
45	621370	Coupling	1	
46	961340	Washer	1	
47	680350	Bolt	1	TCEI M8x35 T180*
48	800860	Bolt	12	TCEI M8x55 T180*
49	1880030	Head	3	
50	1889051	Complete valve	6	
51	1140450	O-ring	6	Ø 20.24x2.62
52	1880010	Pump body	1	
53	1880480	O-ring	6	Ø 25x2
54	280080	Bolt	3	TCEI M8x60 T180*
55	1880040	Cover	3	
57	740290	O-ring	2	Ø 14x1.78
58	880530	Plug	2	3/8" G T180*
59	1880080	Base	1	
60	1880090	Base	1	
61	620680	Key	1	
62	780050	O-ring	6	Ø 28.25x1.78
63	1880380	Oil seal	1	For SP version

\* Torque: in-lbs +/- 10%

Suggested Oil: AR64532D (32 oz)  
- Crankcase oil capacity: 15 oz

Medium pressure

<b>AR 43289</b> BlueFlex™ diaphragms	
<b>AR 43286</b> NBR diaphragms	
<b>AR 43287</b> Desmopan diaphragms	
Pos.	Qty
3	3
51	6
62	6

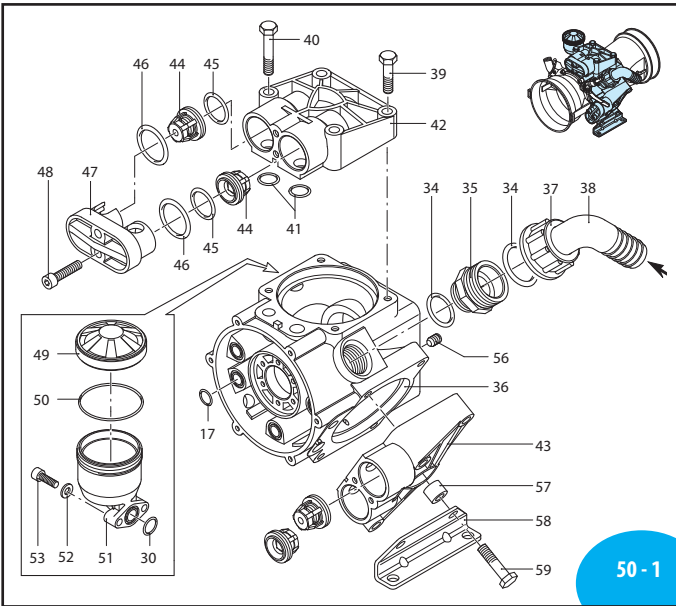
<b>AR 2388</b> Valves	
Pos.	Qty
50	6
51	6

<b>AR 2389</b> O-Rings	
Pos.	Qty
28	1
30	2
33	1
34	1
35	1
39	1
51	9
53	6
57	2
62	6

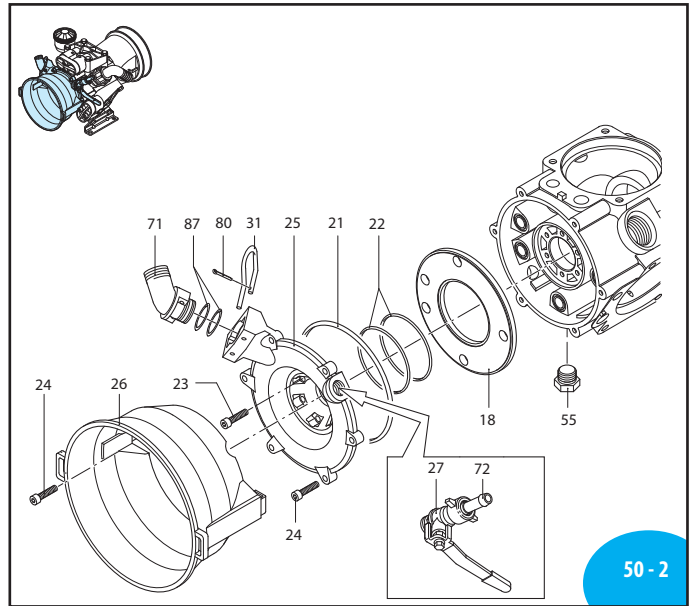


# A.R. NORTH AMERICA

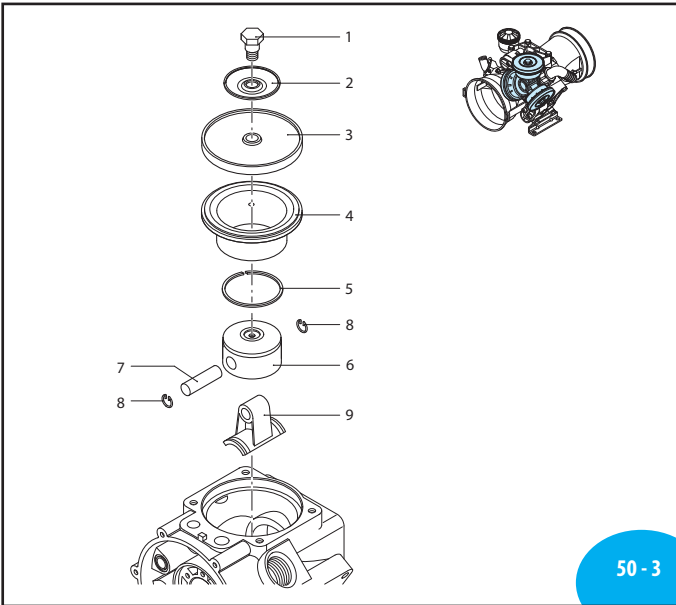
## AR 503



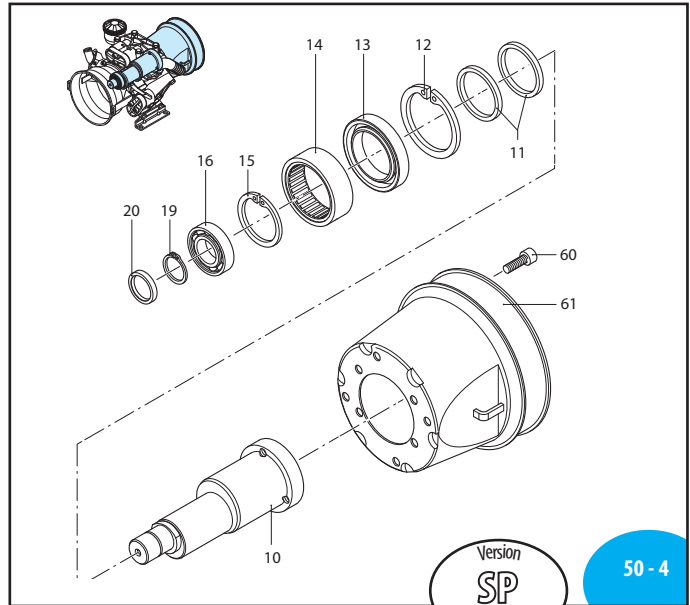
50 - 1



50 - 2



50 - 3



50 - 4



# AR 503

	SP	GR3/4-GCI	GR3/4-GCI-A1	GR1-GCI	GR1-GCI-A1
AR503	31746	33084	31915	33083	31748

Pos	Code	Description	Qty	Note
1	580360	Hub pin	3	T265*
2	1040180	Retaining washer	3	
}	620080	Diaphragm	3	NBR
	620081	Diaphragm	3	Viton
	620085	Diaphragm	3	Desmopan
	620082	Diaphragm	3	BlueFlex™
	4	1300110	Sleeve	3
5	160230	Piston ring	3	
6	620120	Piston Ø 56	3	
7	380300	Pin	3	
8	380080	Ring circlip Øi 14	6	
9	1300140	Connecting-rod	3	
10	1300170	Shaft	1	(Z)
11	1300120	Ring connecting rod	2	
12	1300240	Ring circlip Øi 70	1	
13	1300220	Ring seal	1	
14	1300210	Bearing	1	
15	1260790	Ring circlip Øi 52	1	
16	180400	Bearing	1	
17	740291	O-ring Ø 14x1.78	5	Viton
18	1300020	Manifold	1	
19	1300050	Ring circlip Øe 25	1	
20	1300230	Ring seal	1	
21	1300270	O-ring Ø 126.67x2.62	1	
22	640030	O-ring Ø 59.99x2.62	2	
23	880280	Bolt TCEI M6x18	6	T90*
24	1040370	Bolt TCEI M6x22	6	T90*
25	1300030	Manifold manifold	1	
26	1500130	Shield	1	
27	130491	Ball valve 3/8" G - 1/2" G M-M DX	1	
30	390180	O-ring Ø 18.72x2.62	1	
31	1040690	Fork	1	
34	390290	O-ring Ø 29x3	2	
35	450120	Fitting 1" G - 1" 1/4 G M-M	1	
36	1300010	Pump body	1	
37	550870	Ring nut 1" 1/4 G	1	
38	580040	Elbow 1 1/4"	1	
39	200230	Bolt TE M10x45	4	T400*
40	640230	Bolt TE M10x60	4	T400*
41	480441	O-ring Ø 17.13x2.62	6	Viton
42	1300101	Head marked DX	2	
43	1300102	Head marked SX	1	
44	1409050	Valve	6	
45	620030	O-ring Ø 25.80x3.53	6	
	620031	O-ring Ø 25.80x3.53	6	Viton
46	540361	O-ring Ø 33.14x2.62	6	
47	1300190	Plug	3	

Pos	Code	Description	Qty	Note
48	620610	Bolt TCEI M8x30	6	T180*
49	1040326	Cap black	1	
50	650920	O-ring Ø 53.65x2.62	1	
51	1040310	Oil sight glass	1	
52	550331	Washer	2	
53	850850	Bolt TCEI M6x30	2	T90*
55	880530	Plug 3/8" G	1	T180*
56	770070	Bolt M10x10	1	T90*
57	1300280	Spacer	2	
58	1300090	Base	2	
59	1300360	Bolt TE M10x65	4	T400*
60	820670	Bolt TCEI M10x16	4	T90*
61	1500350	Shield	1	
63	650250	Key	1	
68	650300	Coupling	1	
69	961340	Washer	1	
70	680350	Bolt TCEI M8x35	1	T180*
71	1040761	Fitting 3/4" NPT M	1	
72	110131	Ring nut 1/2"	2	
80	1040950	Split pin	1	
87	390180	O-ring Ø 18.72x2.62	2	

\* Torque: in-lbs +/- 10%

Suggested Oil: AR64532D (32 oz)  
- Crankcase oil capacity: 22 oz

Medium pressure

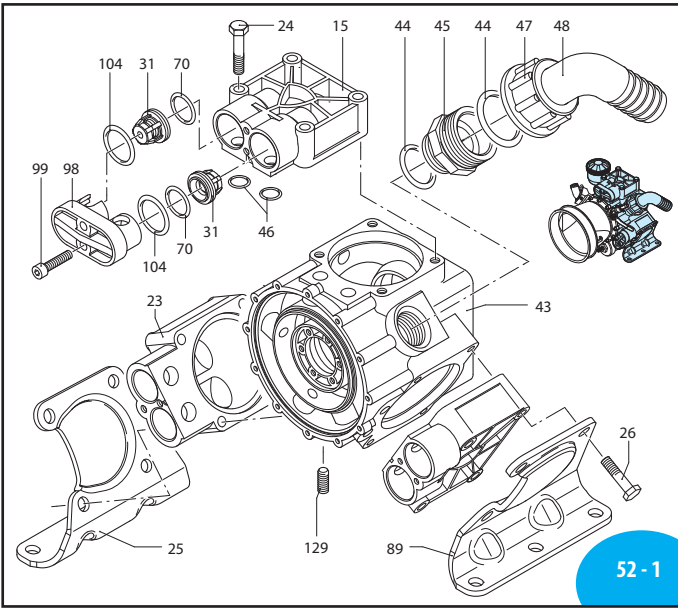
<b>AR 43294</b> NBR diaphragms	
<b>AR 43297</b> BlueFlex™ diaphragms	
<b>AR 43295</b> Desmopan diaphragms	
Pos.	Qty
3	3
41	6

<b>AR 1987</b> Valves	
Pos.	Qty
44	6
45	6
46	6

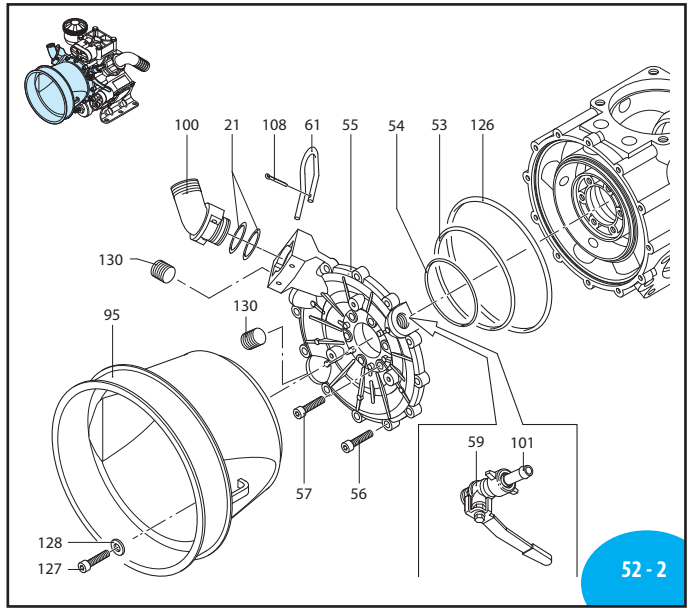
<b>AR 1984</b> O-Rings	
Pos.	Qty
17	6
21	1
22	2
30	3
34	2
41	6
45	6
46	6
50	1

# A.R. NORTH AMERICA

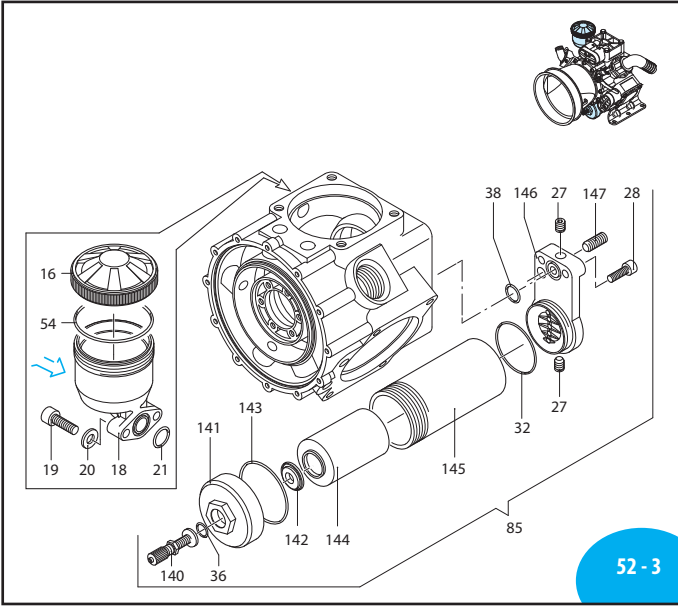
## AR 813



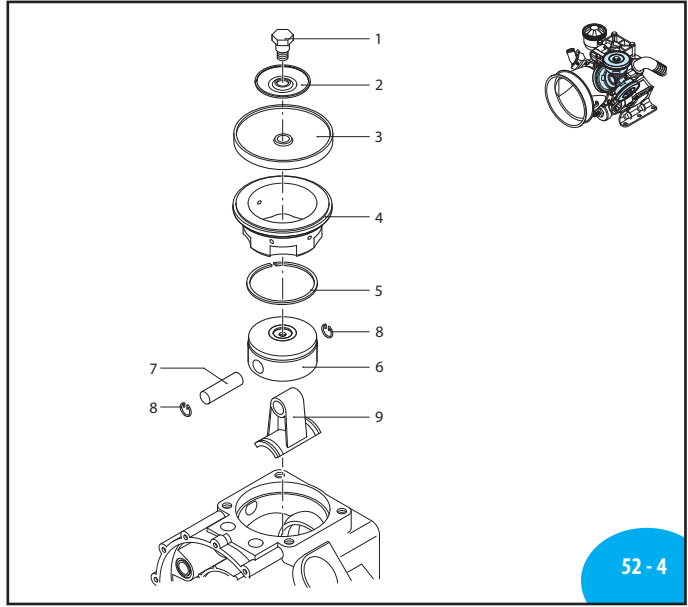
52 - 1



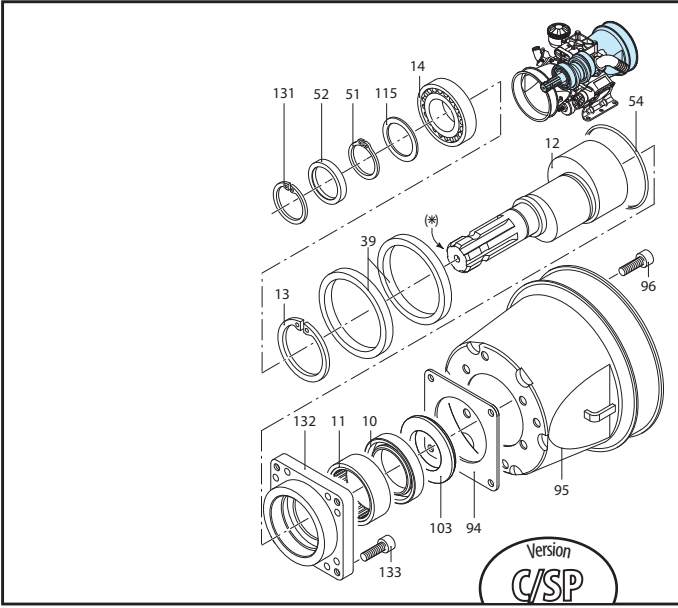
52 - 2



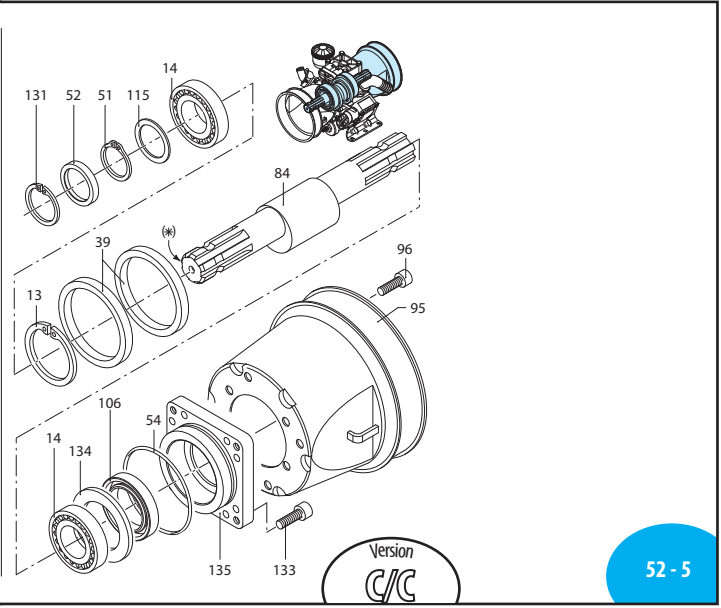
52 - 3



52 - 4



Version  
C/SP



Version  
C/C

52 - 5

# AR 813

	C/C	C/SP	GR-CPC-GCI
AR813	31749	31750	31752

Pos	Code	Description	Qty	Note
1	580361	Hub pin	3	T265*
2	1040180	Retaining washer	3	
}	1040080	Diaphragm	3	Desmopan
	1040083	Diaphragm	3	BlueFlex™
	1040081	Diaphragm	3	NBR
4	1500080	Sleeve	3	
5	650190	Piston ring	3	
6	1040120	Piston Ø 63	3	
7	1040070	Pin	3	
8	1040270	Ring circlip Øi 15	6	
9	1800050	Connecting-rod	3	
10	1400150	Ring seal	1	
11	650200	Bearing	1	
12	1800200	Shaft C/SP m-34	1	
13	161050	Ring circlip Øi 72	1	
14	161060	Bearing	2	
15	1040551	Head marked DX	2	
16	1800060	Cap black	1	
18	680031	Oil sight glass	1	
19	680350	Bolt TCEI M8x35	2	T90*
20	380241	Washer	2	
21	390180	O-ring Ø 18.72x2.62	3	
23	1040552	Head sx	1	
24	1480040	Bolt TE M12x60	4	T445*
25	1800440	Base	1	
26	750060	Bolt TE M12x65	8	T445*
27	1040470	Bolt M10x8	2	SST90*
28	320360	Bolt TCEI M8x22	2	T180*
31	1409050	Valve	6	
32	540360	O-ring Ø 44.12x2.62	1	
36	650542	Gasket	1	
38	640070	O-ring Ø 13.95x2.62	1	
39	1040340	Ring connecting rod	2	
43	1800140	Pump body	1	
44	250310	O-ring Ø 36.14x2.62	2	
45	540530	Fitting 1"1/4 G - 1"3/4 G M-M	1	
46	960160	O-ring Ø 17.86x2.62	6	(a)
	770571	O-ring Ø 18.77x1.78	6	(b) Viton
47	540540	Ring nut 1" 3/4 G	1	
48	540550	Elbow 1 1/2"	1	
51	1040570	Ring circlip Øe 35	1	
52	1040050	Ring seal	1	
53	1800161	O-ring Ø 113.97x2.62	1	Viton
54	1040060	O-ring Ø 72.69x2.62	3	
55	1800150	Manifold asp./manifold	1	
56	1040370	Bolt TCEI M6x22	12	T90*
57	780060	Bolt TCEI M6x25	6	T90*
59	130491	Ball valve 3/8" G - 1/2" G M-M DX	1	
61	1040690	Fork	1	

Pos	Code	Description	Qty	Note
70	620030	O-ring Ø 25.80x3.53	6	
84	1800180	Shaft C/C m-W	1	
85	1536	Air chamber	1	
89	1800430	Base	1	
94	1400140	Flange	1	
95	1500350	Shield	2	Ø 199 mm
	1500470	Shield	2	Ø 239 mm
96	820670	Bolt TCEI M10x16	4	T90*
98	1300190	Plug	3	
99	620610	Bolt TCEI M8x30	6	T445*
100	1040760	Fitting 3/4" G M	1	
101	110131	Ring nut 1/2"	1	
103	1400110	Ring	1	
104	540361	O-ring Ø 33.14x2.62	6	
106	160740	Ring seal	1	
108	1040950	Split pin	1	
115	1040850	Spacer	1	
126	1400120	O-ring Ø 145.72x2.62	1	
127	1343510	Bolt TCEI M6x14	3	T90*
128	881710	Washer	3	
129	1040260	Bolt M10x25	1	T90*
130	1800240	Bolt	2	T90*
131	1460490	Ring circlip Øi 47	1	
132	1800210	Flange	1	
133	180030	Bolt TCEI M8x20	8	T90*
134	1800230	Spacer	1	
135	1800220	Flange	1	
136	1800190	Shaft C/F m-Q	1	
137	230310	Bearing	1	
138	200150	Ring seal	1	
139	1800120	Flange	1	
140	1800350	Air valve	1	
141	1800270	Cover	1	
142	1800311	Retaining washer	1	
143	650560	O-ring Ø 56.82x2.62	1	
144	1800300	Diaphragm air chamber	1	
145	1800280	Hose barb	1	
146	1800290	Fitting	1	
147	1040260	Bolt M10x25		T90*

(a) From serial number N° 1802013001  
(b) Up to serial number N° 1801913999

\* Torque: in-lbs +/- 10%

Suggested Oil: AR64532D (32 oz)  
- Crankcase oil capacity: 37 oz

High pressure

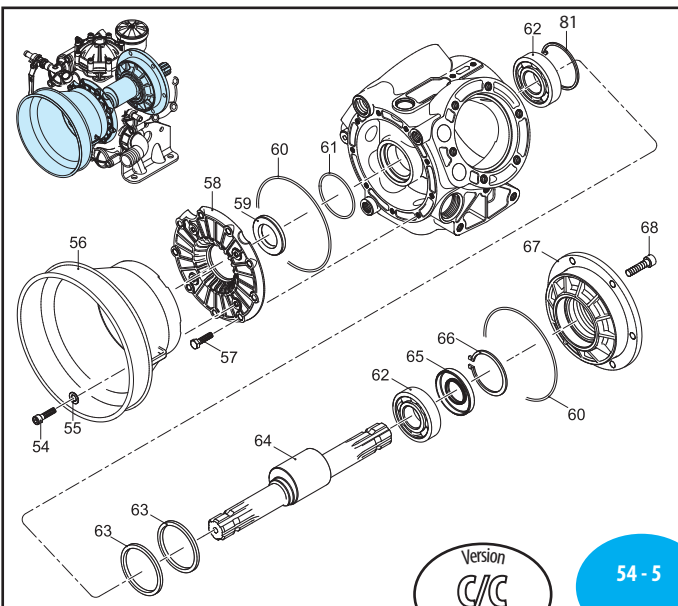
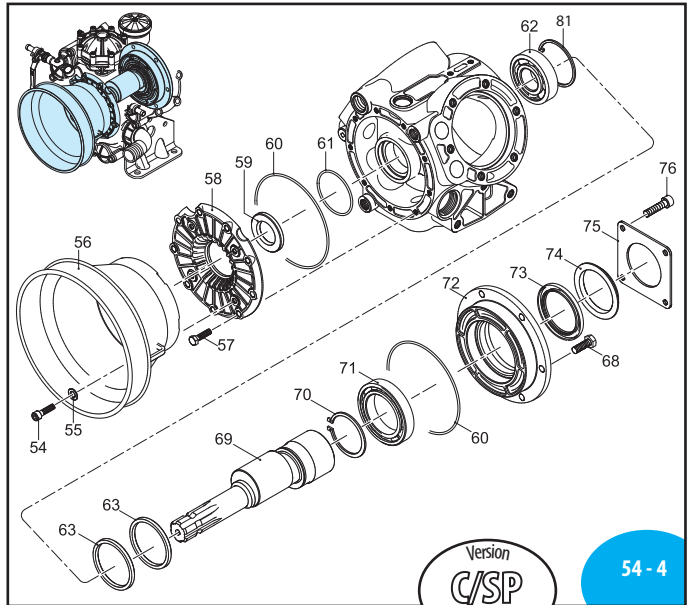
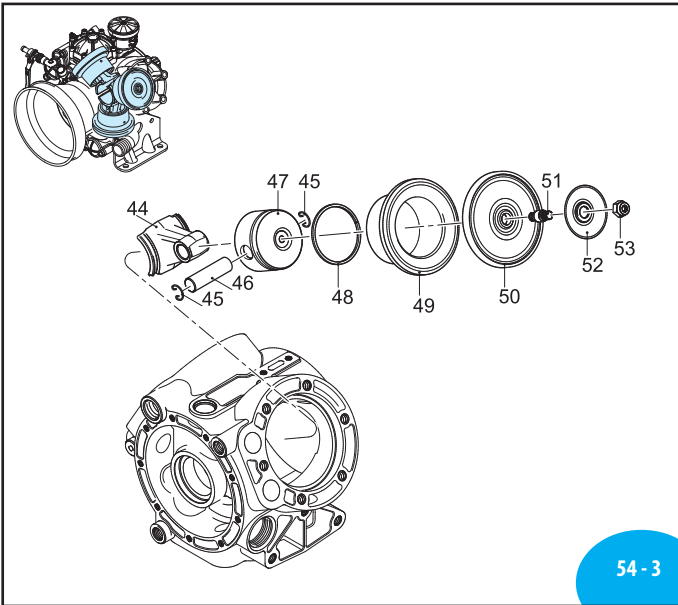
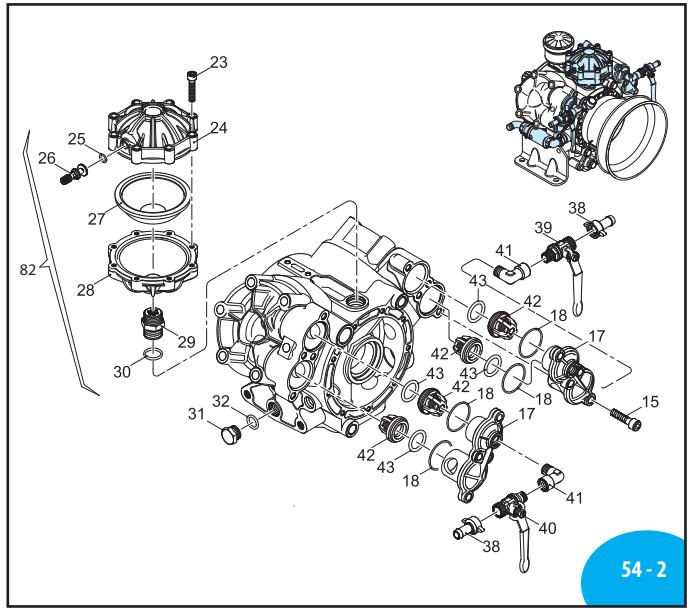
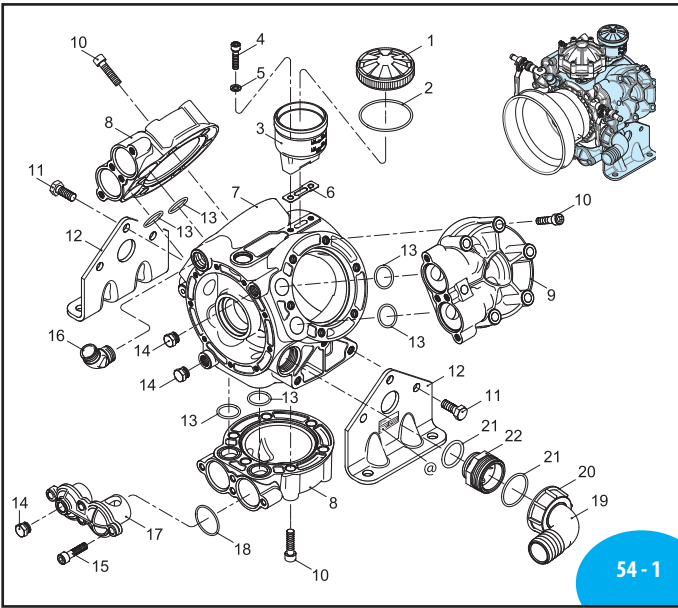
<b>AR 43298</b> Buna diaphragms	
<b>AR 43301</b> BlueFlex™ diaphragms	
<b>AR 43299</b> Desmopan diaphragms	
<b>AR 43300</b> Viton diaphragms	
Pos.	Qty
3	3
32	1
38	1
46	6
144	1

<b>AR 1963</b> Valves	
Pos.	Qty
31	6
70	6

<b>AR 43020 (a)</b> O-Rings	
<b>AR 43018 (b)</b> O-Rings	
Pos.	Qty
21	3
32	1
38	1
44	2
46	6
53	1
54	3
70	6
104	6
126	1
143	1

# A.R. NORTH AMERICA

## AR 1053 - AR 1203





# AR 1053 - AR 1203

	C/C	C/SP
AR1053	31755	31756
AR1203	31757	31758

Pos	Code	Description	Qty	Note
1	1800060	Cap black	1	AR 1053
	750050	Cap red	1	AR 1203
2	1040060	O-ring Ø 72.69x2.62	1	
3	750030	Oil sight glass	1	
4	680350	Bolt TCEI M8x35	2	T90*
5	380241	Washer	2	
6	750040	Gasket	1	
7	2680010	Pump body	1	
8	2680030	Head marked DX	2	
9	2680031	Head marked SX	1	
10	750070	Bolt TE M12x70	18	T445*
11	540210	Bolt TE M12x25	6	T445*
12	2680100	Base	2	
13	1520650	O-ring Ø 29.82x2.62	6	
14	130171	Plug 3/8" G	3	T180*
15	540300	Bolt TCEI M10x30	12	T310*
16	851650	Elbow manifold	1	
17	2680040	Cover	3	
18	2680150	O-ring Ø 42.52x2.62	6	
19	540550	Elbow 1 1/2"	1	
20	540540	Ring nut 1" 3/4 G	1	
21	250310	O-ring Ø 36.14x2.62	2	
22	540530	Fitting 1" 1/4 G - 1" 3/4 G M-M	1	
23	380410	Bolt TCEI M8x40	8	T180*
24	620234	Semi air chamber upper	1	Anodized
25	650542	Gasket	1	
26	180020	Air valve	1	
27	550190	Diaphragm air chamber	1	NBR
	550194	Diaphragm air chamber	1	BlueFlex™
28	2240481	Semi air chamber lower	1	
29	2240490	Fitting	1	T180*
30	720030	O-ring Ø 22.22x2.62	1	
31	820361	Plug 1/2" G brass	1	T180*
32	180101	O-ring Ø 17.5x2	1	
38	110131	Ring nut 1/2"	2	
39	130491	Ball valve 3/8" G - 1/2" G M-M DX	1	
40	130492	Ball valve 3/8" G - 1/2" G M-M SX	1	
41	900210	Fitting 3/8" G M-F	2	
42	2689050	Valve	6	1053/1203
43	180240	O-ring Ø 31.34x3.53	6	
44	2680090	Connecting-rod	3	AR 1053/1203
45	160691	Ring circlip Øi 18	6	
46	260700	Pin	3	
47	2240060	Piston Ø 72	3	
48	260230	Piston ring	3	
49	2680070	Sleeve	3	AR 1053
	2680080	Sleeve	3	AR 1203

Pos	Code	Description	Qty	Note
50	550080	Diaphragm	3	NBR
	550081	Diaphragm	4	BlueFlex™
	550084	Diaphragm	3	Viton
	550085	Diaphragm	3	Desmopan
	550086	Diaphragm	3	HPDS
51	2240100	Hub pin	3	(a) T265*
52	580090	Retaining washer	3	
53	2240110	Nut M10	3	SST265*
54	850250	Bolt TCEI M8x12	4	T180*
55	390311	Washer	4	
56	1500350	Shield	1	Ø 199 mm
	1500470	Shield	1	Ø 239 mm
57	180370	Bolt TE M8x25	9	T180*
58	2680050	Manifold suction	1	
59	2680110	Ring seal	1	
60	1400120	O-ring Ø 145.72x2.62	2	
61	2240270	O-ring Ø 67.95x2.62	1	
62	230350	Bearing	2	
63	2240540	Ring connecting rod	2	
64	2680180	Shaft C/C m-CB	1	AR 1053
	2680190	Shaft C/C m-CC	1	AR 1203
65	2680120	Ring seal	1	
66	161050	Ring circlip Øi 72	1	
67	2680020	Flange	1	
68	160670	Bolt TE M10x25	6	T355*
69	2680260	Shaft C/SP m-CL	1	AR 1053
	2680270	Shaft C/SP m-CM	1	AR 1203
70	2680290	Ring circlip Øe 65	1	
71	2680280	Bearing	1	
72	2680240	Flange	1	
73	1400150	Ring seal	1	
74	1400110	Ring	1	
75	1400140	Flange	1	
76	850250	Bolt TCEI M8x12	4	T90*
78	230310	Bearing	1	
79	2680130	Ring seal	1	
80	2680021	Flange	1	
81	230340	Ring circlip Øi 80	1	
82	1527	Air chamber	1	NBR
	43071	Air chamber	1	BlueFlex™
83	2420250	Bushing	1	

\* Torque: in-lbs +/- 10%

Suggested Oil: AR64532D (32 oz)  
- Crankcase oil capacity: 59 oz

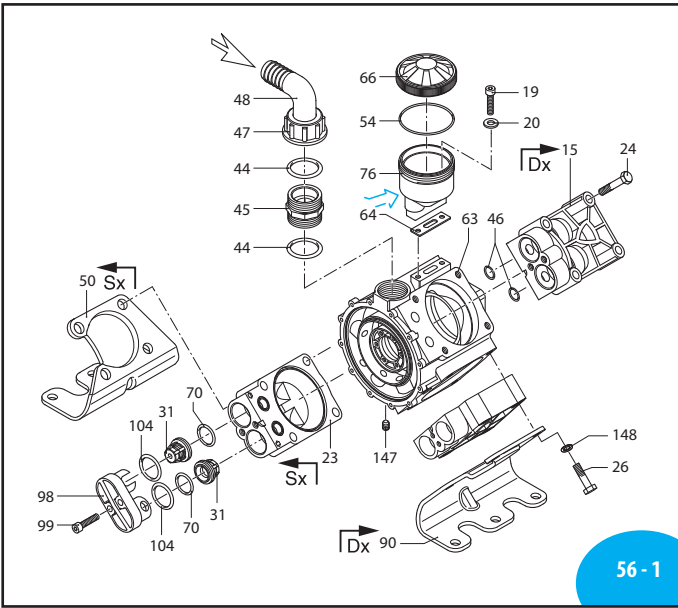
High pressure

<b>AR 43309</b> BlueFlex™ diaphragms	
<b>AR 43306</b> Buna diaphragms	
<b>AR 43308</b> Viton diaphragms	
<b>AR 43307</b> Desmopan diaphragms	
Pos.	Qty
13	6
27	1
50	3

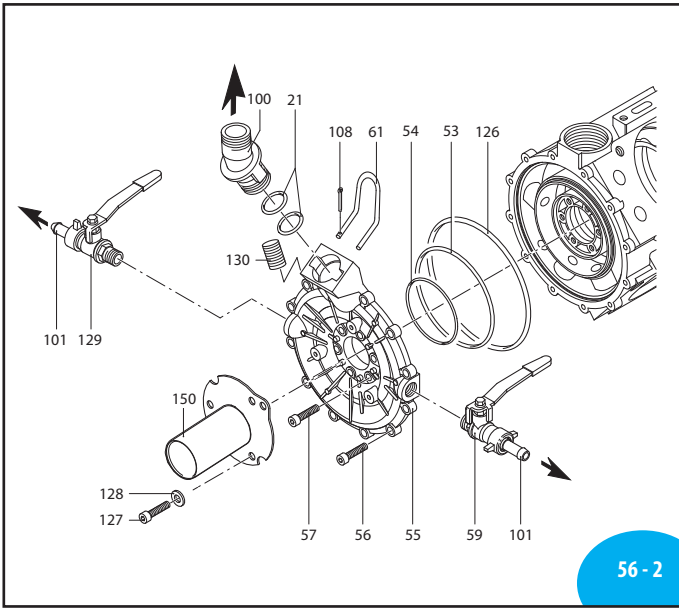
<b>AR 42200</b> Valves	
Pos.	Qty
42	6
43	6

<b>AR 42201</b> O-Rings	
Pos.	Qty
2	1
13	6
18	6
21	2
30	1
32	1
35	1
43	6
60	2
61	1

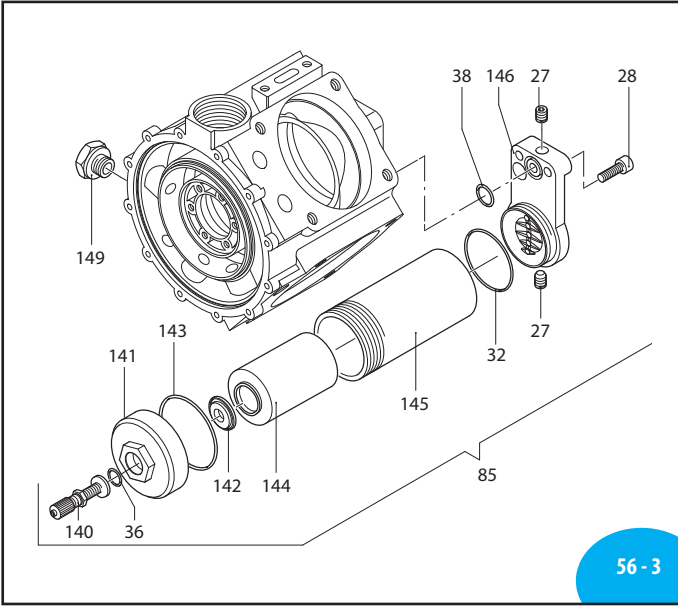
# A.R. NORTH AMERICA AR 1064



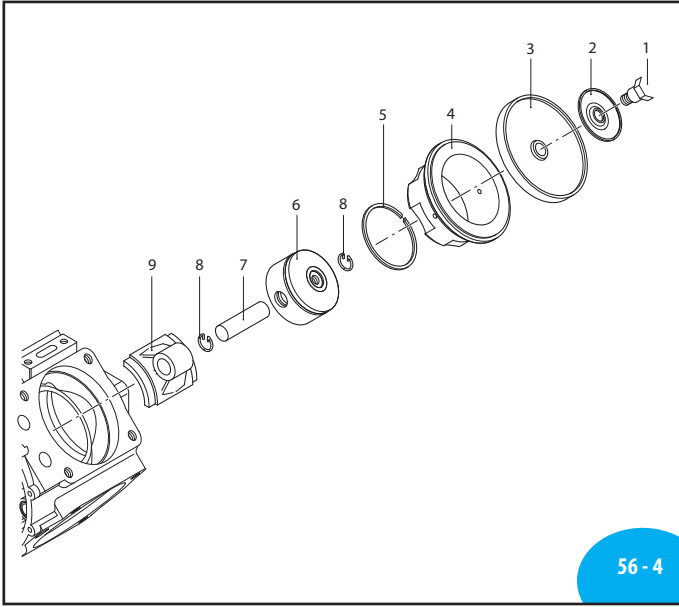
56 - 1



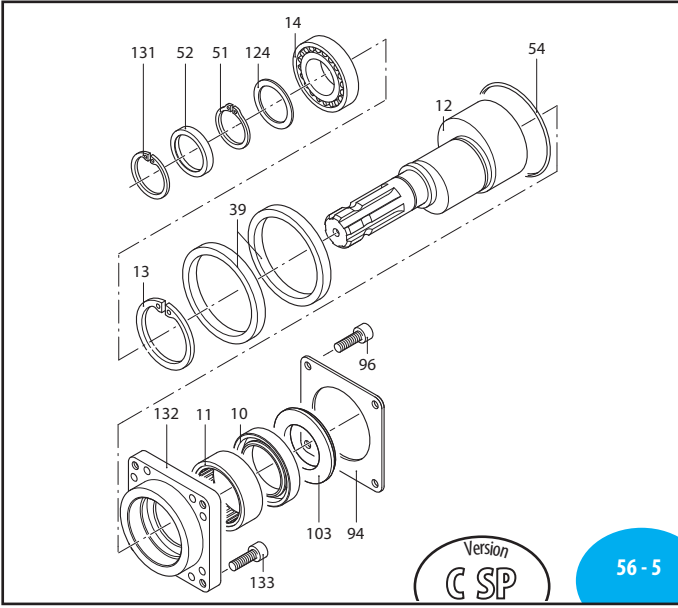
56 - 2



56 - 3



56 - 4



56 - 5



# AR 1064

	C/C	C/SP
AR1064	31753	31754

Pos	Code	Description	Qty	Note
1	580361	Hub pin	4	T265*
2	1040180	Retaining washer	4	
3	1040083	Diaphragm Øe 105	4	BlueFlex™
4	1500080	Sleeve	4	
5	650190	Piston ring	4	
6	1040120	Piston Ø63	4	
7	1040070	Pin	4	
8	1040270	Ring seeger Øi 15	8	
9	1800050	Connecting-rod	4	
10	1400150	Ring tenuta	1	
11	650200	Bearing	1	
12	1800200	Shaft marcato 34	1	
13	161050	Ring seeger Øi 72	1	sp.2,5
14	1800170	Bearing	1	
15	43214	Head dx	2	
19	680350	Bolt TCEI M8x35	2	T90*
20	380241	Washer	2	
21	390180	O-ring Ø 18,72x2,62	2	
23	1040552	Head sx	2	
24	1480040	Bolt TE M12x60	8	T445*
26	750060	Bolt TE M12x65	8	T445*
27	1040470	Bolt M10x8	2	SS T180*
28	320360	Bolt TCEI M8x22	2	T180*
31	1409050	Valve	8	
32	540360	O-ring Ø 44,12x2,62	1	
36	650542	Gasket	1	
38	640070	O-ring Ø 13,95x2,62	1	
39	1040340	Ring biella	2	
44	250310	O-ring Ø 36,14x2,62	2	
45	540530	Fitting 1" 1/4 G - 1" 3/4 G M-M	1	
46	960160	O-ring Ø 17,86x2,62	8	
47	540540	Ring nut 1" 3/4 G	1	
48	540550	Elbow Ø40	1	
50	1820080	Base sx	1	
51	1040570	Ring seeger Øe 35	1	
52	1040050	Ring tenuta	1	
53	1800161	O-ring Ø 113,97x2,62	1	Viton
54	1040060	O-ring Ø 72,69x2,62	3	
55	1800150	Manifold asp./mandata	1	
56	1040370	Bolt TCEI M6x22	12	T90*
57	780060	Bolt TCEI M6x25	6	T90*
59	130491	Valve 3/8" G - 1/2" G M-M DX	1	T180*
61	1040690	Fork	1	
63	1820040	Pump body	1	
64	750040	Gasket	1	
66	1800060	Cap nero	1	
70	620030	O-ring Ø 25,80x3,53	8	
76	750030	Oil sight glass	1	
85	1538	Air chamber	1	
90	1820070	Base dx	1	

Pos	Code	Description	Qty	Note
94	1400140	Flange	1	
96	820670	Bolt TCEI M10x16	4	
98	1300190	Plug	1	T90*
99	620610	Bolt TCEI M8x30	8	
100	1040761	Fitting 3/4" NPT (M)	1	T180*
101	110130	Ring nut 1/2" G	2	
103	1400110	Ring	1	
104	540361	O-ring Ø 33,05x1,78	2	
108	1040950	Split pin	1	
124	1040850	Spacer	1	
126	1400120	O-ring Ø 145,72x2,62	1	
127	1343510	Bolt TCEI M6x14	3	
128	881710	Washer	3	
129	130492	Valve 3/8" G - 1/2" G M-MSX	1	
130	1800240	Bolt	1	
131	1460490	Ring seeger Øi 47	1	T180*
132	1800210	Flange	1	T180*
133	180030	Bolt TCEI M8x20	8	
140	1800350	Air valve	1	
141	1800270	Cover	1	T180*
142	1800311	Retaining washer	1	
143	650560	O-ring Ø 56,82x2,62	1	T180*
144	1800300	Diaphragm camera aria	1	
145	1800280	Hose barb	1	
146	1800320	Fitting	1	NBR
147	1820030	Bolt M10x12	1	
148	250141	Washer	8	
149	880530	Plug 3/8" G	1	SS T180*
150	760360	Guard	1	
132	1800210	Flange	1	
133	180030	Bolt TCEI M8x20	8	T180*
134	1800230	Spacer	1	
135	1800220	Flange	1	
137	230310	Bearing	1	
138	200150	Ring seal	1	
139	1800120	Flange	1	
140	1800350	Air valve	1	
141	1800270	Cover	1	T180*
142	1800311	Retaining washer	1	
143	650560	O-ring Ø 56.82x2.62	1	
144	1800300	Diaphragm air chamber	1	
145	1800280	Hose barb	1	
146	1800320	Fitting	1	
147	1820030	Bolt M10x12	1	
148	250141	Washer	8	
149	880530	Plug 3/8" G	1	SS T180*
150	760360	Guard	1	

\*Torque: in-lbs +/- 10%

Suggested Oil: AR64532D (32 oz)  
- Crankcase oil capacity: 30 oz

High pressure

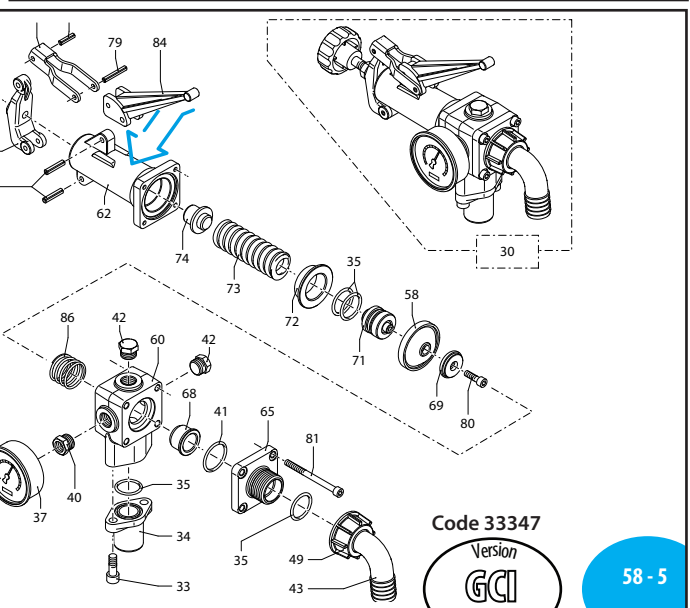
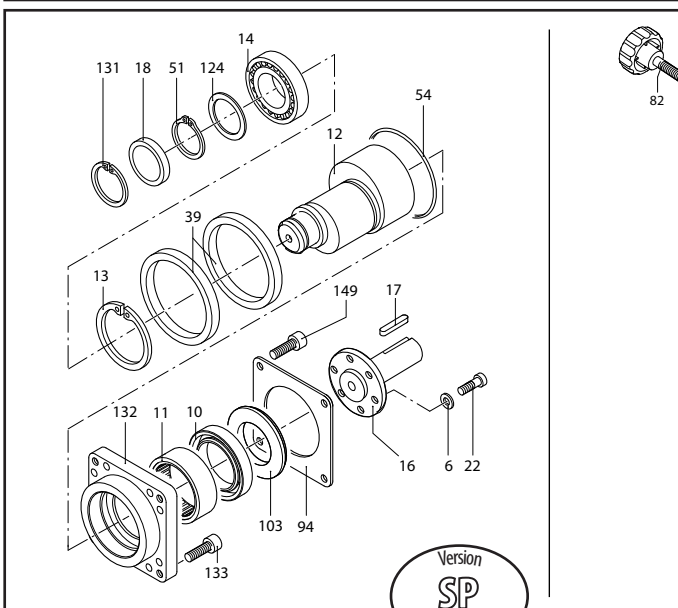
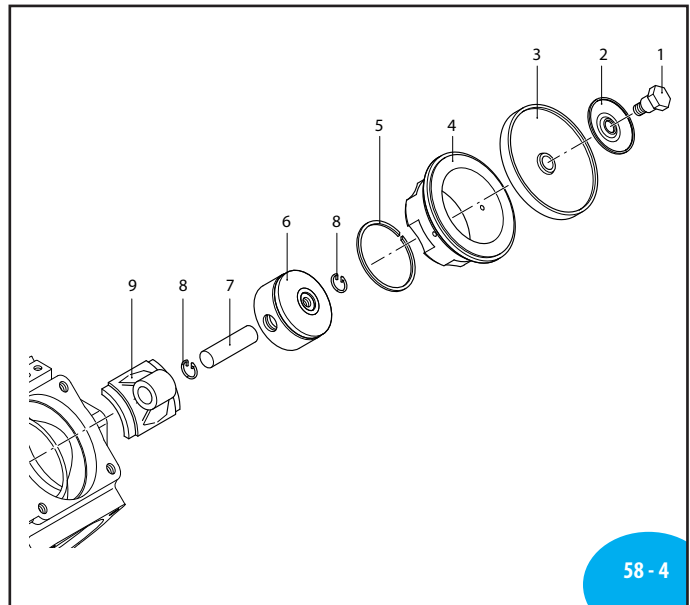
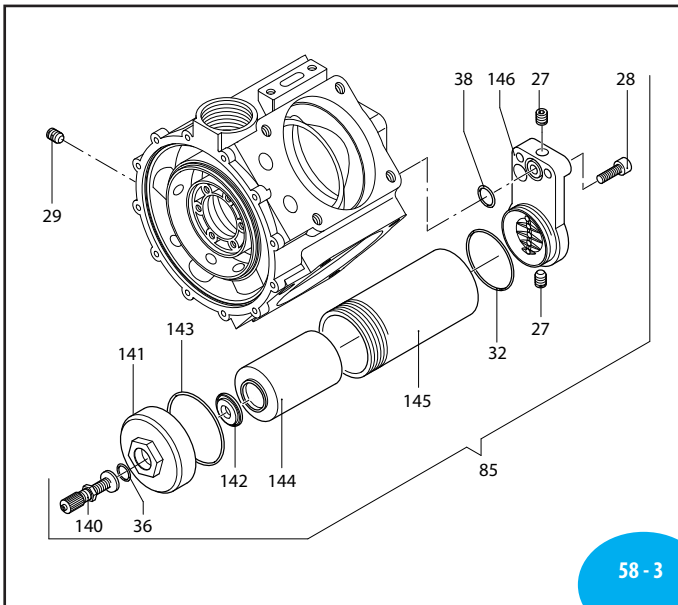
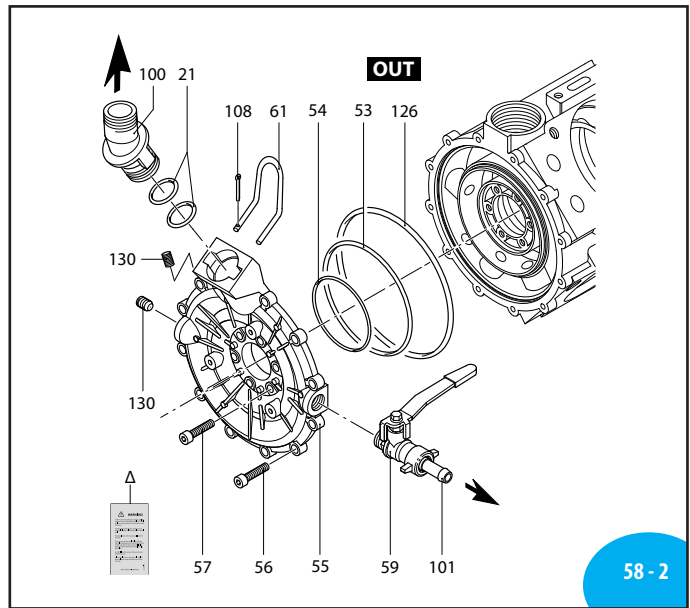
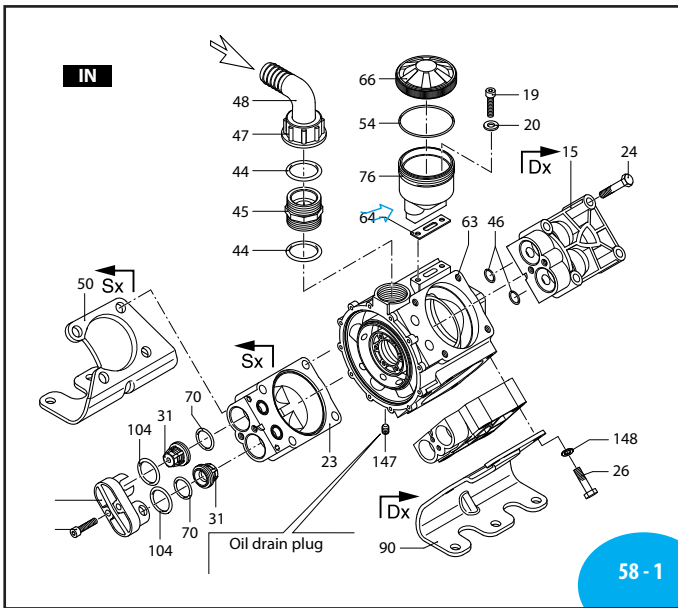
<b>AR 43302</b> Buna diaphragms	
<b>AR 43305</b> BlueFlex™ diaphragms	
<b>AR 43303</b> Desmopan diaphragms	
<b>AR 43304</b> Viton diaphragms	
Pos.	Qty
3	4
38	1
46	8
143	1
144	1

<b>AR 1964</b> Valves	
Pos.	Qty
31	8
70	8

<b>AR 43022</b> O-Rings	
Pos.	Qty
21	2
32	1
38	1
44	2
46	8
53	1
54	3
70	8
104	8
126	1
143	1

# A.R. NORTH AMERICA

## AR 1064-SP-GCI



# AR 1064-SP-GCI

	SP-GCI
AR1064	33348

Pos	Code	Description	Qty	Note
1	580361	Hub pin	4	T266*
2	1040180	Retaining washer	4	
3	1040083	Diaphragm Øe 105	4	BlueFlex™
4	1500080	Sleeve	4	
5	650190	Piston ring	4	
6	1040120	Piston Ø 63	4	
7	1040070	Pin	4	
8	104270	Snap ring Øi 15	8	
9	1800050	Connecting-rod	4	
10	1400150	Ring	1	
11	650200	Bearing	1	
12	1800250	Shaft marked AA	1	
13	161050	Snap ring Øi 72	1	
14	1800170	Bearing	1	
15	1040551	Head dx	2	
16	1820060	Coupling 1"	1	
17	960770	Key	1	
18	1800260	Cover	1	
19	680350	Bolt M8x35	2	T177*
20	380241	Washer	2	
21	390180	O-ring Ø 18.72x2.62	2	
22	160671	Bolt M10x25	6	
23	1040552	Head	2	
24	1480040	Bolt M12x60	8	T442*
25	200231	Washer	6	
26	750060	Bolt M12x65	8	T442*
27	1040470	Bolt M10x8	2	SS T177*
28	320360	Bolt M8x22	2	T177*
29	880530	Plug 3/8" G	1	
30	GH50-01	Regulating valve	1	GH50
31	1409050	Valve	8	
32	540360	O-ring Ø 44.12x2.62	1	
33	620610	Bolt M8x30	2	T177*
34	550394	Flange	1	
35	550350	O-ring Ø 23.81x2.62	4	
36	650542	Gasket	1	
37	1880290	Pressure gauge Ø63	1	0-1160 psi
38	640070	O-ring Ø 13.95x2.62	1	
39	1040340	Ring	2	
40	130170	Fitting	1	T177*
41	280220	O-ring Ø 29.75x3.53	1	T177*
42	130171	Plug 3/8" G	2	
43	550370	Elbow Ø 25	1	
44	250310	O-ring Ø 36.14x2.62	2	
45	540530	Fitting 1-1/4" G-1-3/4GM-M	1	T177*
46	960160	O-ring Ø 17.86x2.62	8	
47	540540	Ring nut 1-3/4" G	1	
48	540550	Elbow Ø 40	1	
49	550880	Ring nut 1" G	1	
50	180080	Base	1	
51	1040570	Snap ring Øe 35	1	
53	1800161	O-ring Ø 113.97x2.62	1	Viton
54	1040060	O-ring Ø 72.69x2.62	3	
55	1800150	Manifold	1	
56	104370	Bolt M6x22	12	T88*
57	780060	Bolt M6x25	6	T88*

Pos	Code	Description	Qty	Note
58	390740	Diaphragm	1	NBR
59	130491	Valve 3/8" G-1/2" GM-MDX	1	T177*
60	680412	Valve body	1	
61	1040690	Fork	1	
62	680423	Body valve	1	
63	1820040	Pump body	1	
64	750040	Gasket	1	
65	680432	Flange	1	
66	1800060	Cap	1	
67	680442	Fork	1	
68	680460	Seat	1	
69	680470	Valve	1	
70	620030	O-ring Ø 25.80x3.53	8	
71	680480	Piston	1	
72	680490	Ring	1	
73	680500	Spring	1	
74	680510	Guide	1	
75	680520	Fork	1	
76	750030	Oil sight glass	1	
77	680530	Pin	1	
78	680540	Pin	2	
79	680550	Pin	1	
80	680700	Bolt M6x20	1	SS T88*
81	680570	Bolt M6x60	4	T88*
82	660130	Knob	1	
83	180150	Nut M10	1	
84	680452	Lever	1	
85	1538	Air chamber	1	
86	320420	Spring	1	
90	1820070	Base	1	
94	1400140	Flange	1	
98	1300190	Plug	4	
99	620610	Bolt M8x30	8	T177*
100	1040761	Fitting 3/4" NPT (M)	1	
101	110130	Ring nut 1/2" G	1	
103	1400110	Ring	1	
104	540361	O-ring Ø 33.05x1.78	8	
108	1040950	Split pin	1	
124	1040850	Spacer	1	
126	1400120	O-ring Ø 145.72x2.62	1	
130	1800240	Bolt	2	T177*
131	1460490	Snap ring Øi 47	1	
132	1800210	Flange	1	
133	180030	Bolt M8x20	8	T177*
140	1800350	Air valve	1	T35*
141	1800270	Cover	1	T177*
142	1800311	Retaining washer	1	
143	650560	O-ring Ø 56.82x2.62	1	
144	1800300	Diaphragm	1	NBR
145	1800280	Hose barb	1	
146	1800320	Fitting	1	
147	1820030	Bolt M10x12	1	
148	250141	Washer	8	
149	820670	Bolt M10x16	4	T177*

\*Torque: in-lbs +/- 10%

Suggested Oil: AR64532D (32 oz)  
- Crankcase oil capacity: 30 oz

High pressure

AR 43305 BlueFlex™ diaphragms	
Pos.	Qty
3	4
38	1
46	8
144	1

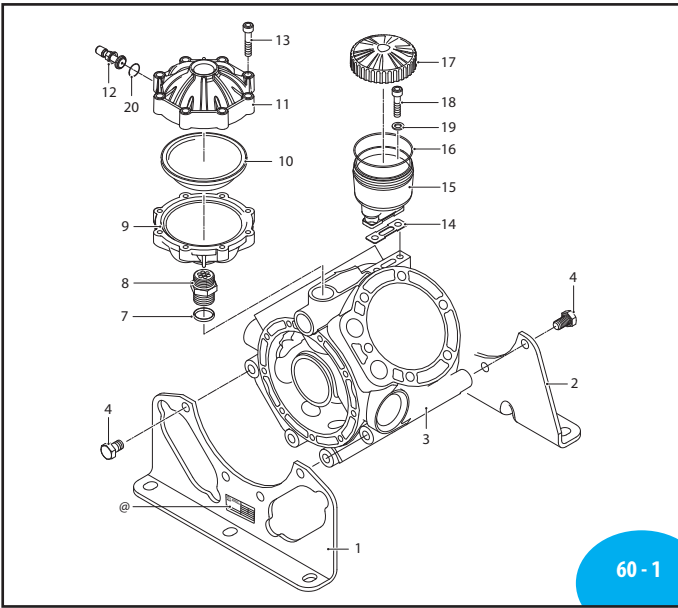
AR 1964 Valves	
Pos.	Qty
31	8
70	8

AR 43022 O-Rings	
Pos.	Qty
21	2
32	1
38	1
44	2
46	8
53	1
54	3
70	8
104	8
126	1
143	1

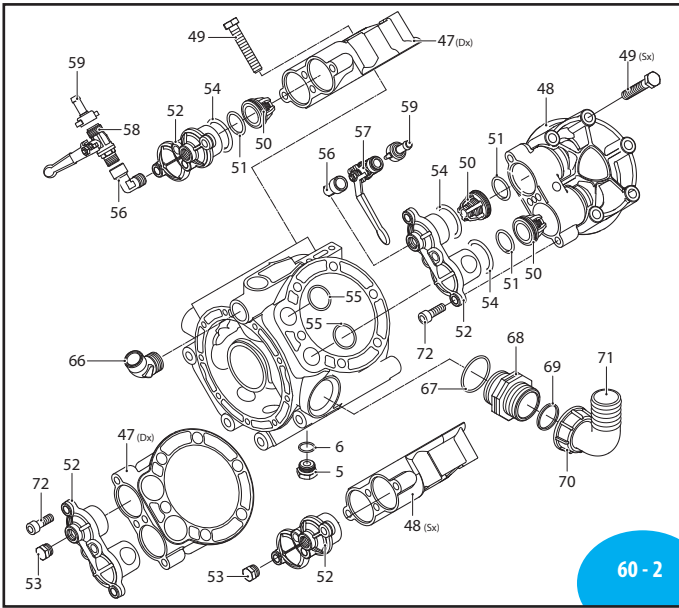


# A.R. NORTH AMERICA

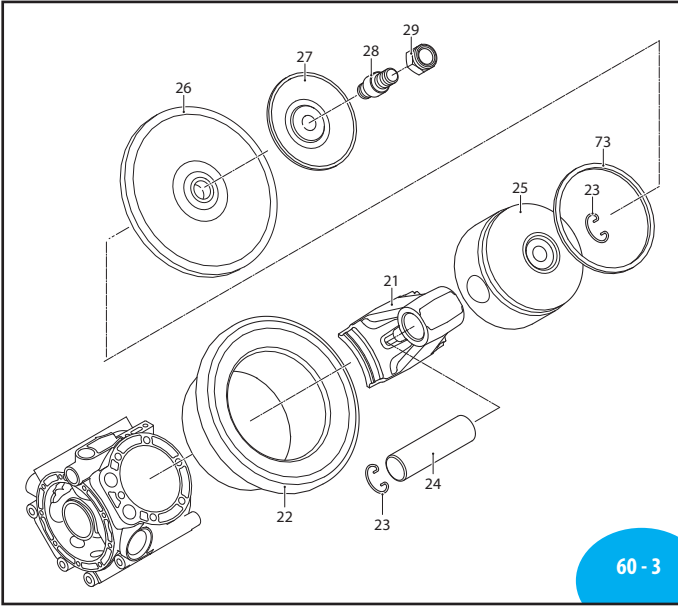
## AR 1604



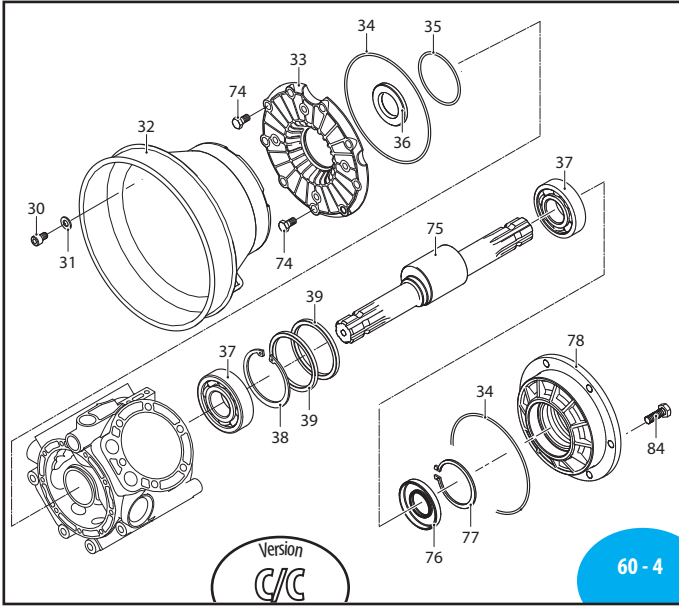
60 - 1



60 - 2



60 - 3



60 - 4



# AR 1604

	C/C
AR1604	31759

Pos	Code	Description	Qty	Note
1	3920030	Base front	1	
2	3920040	Base back	1	
3	3920010	Pump body	1	
4	1520861	Bolt TE M12x20	8	T445* (a)
	540210	Bolt TE M12x25	8	T445* (b)
5	820361	Plug 1/2" G brass	1	T180*
6	180101	O-ring Ø17.5x2	1	
7	720030	O-ring Ø22.22x2.62	1	
8	2240490	Fitting	1	T180*
9	2240481	Semi air chamber lower	1	T180*
10	550190	Diaphragm air chamber	1	NBR
	550194	Diaphragm air chamber	1	BlueFlex™
11	620234	Semi air chamber upper	1	Anodized
12	180020	Air valve	1	T310*
13	380410	Bolt TCEI M8x40	8	T180*
14	750040	Gasket	1	
15	750030	Oil sight glass	1	
16	1040060	O-ring Ø72.69x2.62	1	
17	750050	Cap red	1	
18	680350	Bolt TCEI M8x35	2	T90*
19	380241	Washer	2	
20	650542	Gasket	1	
21	3920020	Connecting-rod bronze	4	
22	2680080	Sleeve	4	
23	160691	Ring circlip Øi 18	8	
24	260700	Pin	4	
25	2240060	Piston Ø72	4	
26	550080	Diaphragm	4	NBR
	550081	Diaphragm	4	BlueFlex™
	550085	Diaphragm	4	DESMOPAN
	550086	Diaphragm	4	HPDS
27	580090	Retaining washer	4	
28	2240100	Hub pin	4	(c) T310*
29	2240110	Nut M10	4	SS T265*
30	850250	Bolt TCEI M8x12	4	T90*
31	390311	Washer	4	
32	1500470	Shield	1	
33	2680050	Manifold suction	1	
34	1400120	O-ring Ø145.72x2.62	2	
35	2240270	O-ring Ø 67.95x2.62	1	
36	2680110	Ring seal	1	
37	751280	Bearing	2	
38	230340	Ring circlip Øi 80	1	
39	2240540	Ring connecting rod	2	
41	2680340	Bearing	1	
42	2680290	Ring circlip Øe 65	1	
43	2680240	Flange	1	
44	1400150	Ring seal	1	

Pos	Code	Description	Qty	Note
45	1400140	Flange	1	
46	1400110	Ring	1	
47	2680030	Head marked DX	2	
48	2680031	Head marked SX	2	
49	750070	Bolt TE M12x70	24	T445*
50	2689050	Valve	8	
51	180240	O-ring Ø31.34x3.53	8	
52	2680040	Cover	4	
53	130171	Plug 3/8" G	3	T180*
54	2680150	O-ring Ø42.52x2.62	8	
55	1520650	O-ring Ø29.82x2.62	8	
56	900210	Fitting 3/8" G M-F	2	
57	130491	Ball valve 3/8" G - 1/2" GM-M DX	1	
58	130492	Ball valve 3/8" G - 1/2" GM-M SX	1	
59	110131	Ring nut 1/2"	2	
65	880831	O-ring Ø15.54x2.62	1	Viton
66	851650	Elbow manifold	1	
67	751140	O-ring Ø47.22x3.53	1	
68	751130	Fitting 1" 1/2 G M-M	1	
69	390290	O-ring Ø29x3	1	
70	750670	Ring nut 1 1/2" G	1	
71	50267	Elbow 1 1/2"	1	
72	540300	Bolt TCEI M10x30	16	T310*
73	260230	Piston ring	4	
74	180370	Bolt TE M8x25	9	T180*
75	2680190	Shaft C/C m-CM	1	
76	2680120	Ring seal	1	
77	161050	Ring circlip Øi 72	1	
78	2680020	Flange	1	
80	750920	Bearing	1	
81	2680021	Flange	1	
82	2680130	Ring seal	1	
83	2420250	Ring center	1	
84	160670	Bolt TE M10x25	6	T355*

- @ Pump and manufacturer identification.  
 (a) From serial number N° 39249140001.  
 (b) Up to serial number N° 39248149999.  
 (c) Bolt with Loctite 242 pin side piston.

\* Torque: in-lbs +/- 10%

Suggested Oil: AR64532D (32 oz)  
 - Crankcase oil capacity: 78 oz

High pressure

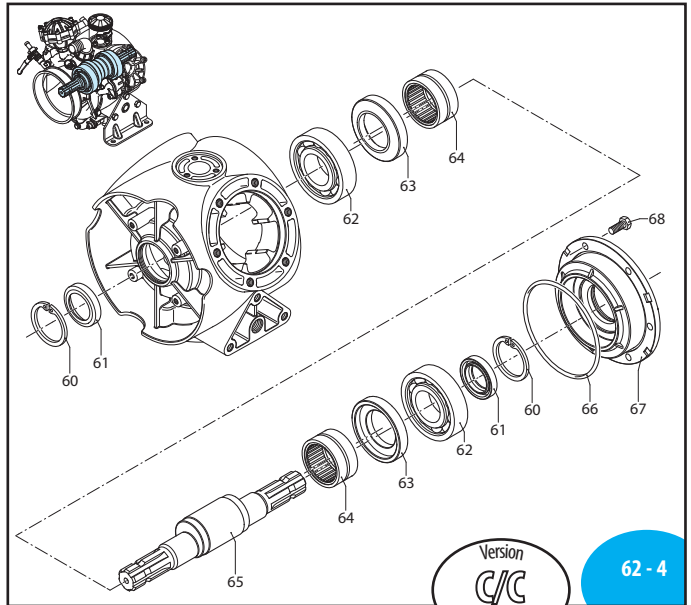
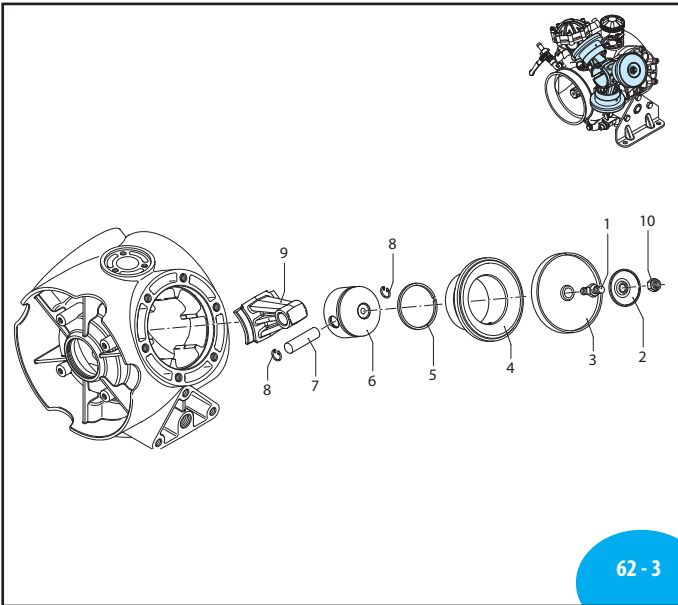
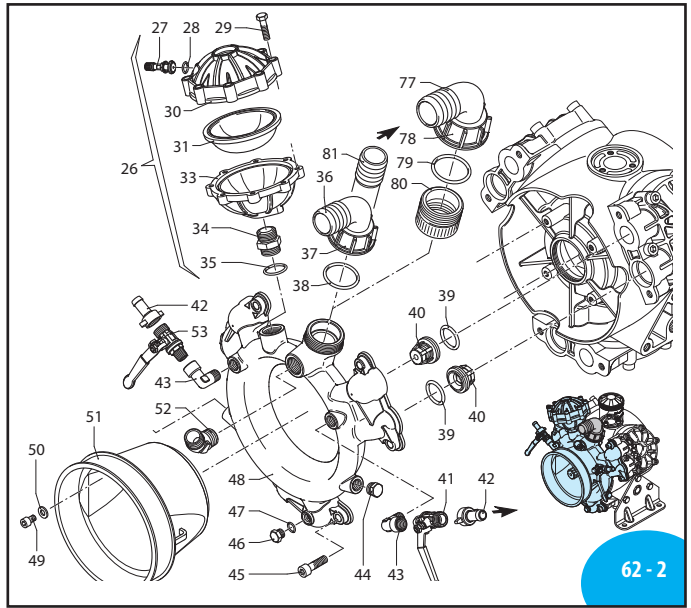
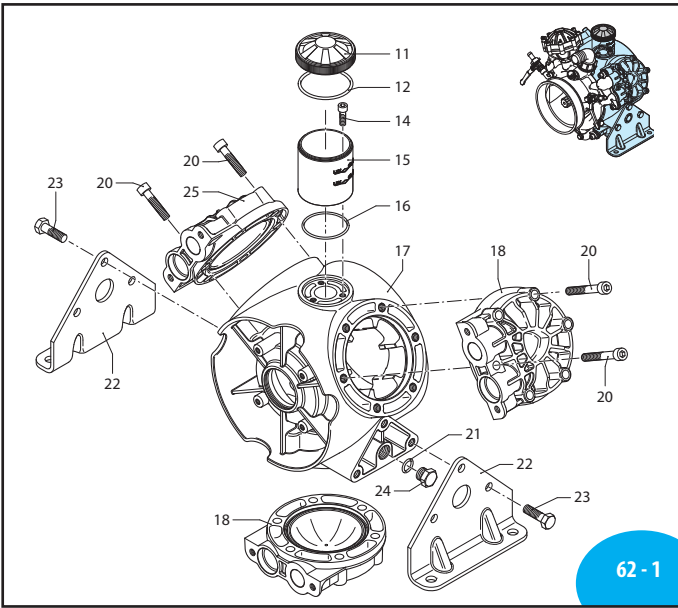
<b>AR 43313</b> BlueFlex™ diaphragms	
<b>AR 43310</b> Buna diaphragms	
<b>AR 43312</b> Viton diaphragms	
<b>AR 43311</b> Desmopan diaphragms	
Pos.	Qty
10	1
26	4
55	8

<b>AR 42941</b> Valves	
Pos.	Qty
50	8
51	8

<b>AR 42942</b> O-Rings	
Pos.	Qty
6	1
7	2
16	1
34	2
35	1
51	8
54	8
55	8
65	1
67	1
69	1

# A.R. NORTH AMERICA

## BHA 130 - BHA 150



# BHA 130 - BHA 150

	C/C
BHA130	31760
BHA150	31761

Pos	Code	Description	Qty	Note
1	2240100	Hub pin	3	T265*
2	580090	Retaining washer	3	
3	2240080	Diaphragm	3	NBR
	2240085	Diaphragm	3	Desmopan
	2240081	Diaphragm	3	BlueFlex™
4	2240560	Sleeve	3	BHA 130
	2240520	Sleeve	3	BHA 150
5	2240570	Piston ring	3	BHA 130
	2240360	Piston ring	3	BHA 150
6	2240550	Piston Ø 76	3	BHA 130
	2240350	Piston Ø 82	3	BHA 150
7	2240580	Pin	3	BHA 130
	540070	Pin	3	BHA 150
8	160691	Ring circlip Øi 18	6	
9	2240090	Connecting-rod	3	
10	2240110	Nut M10	3	SS T265*
11	1800060	Cap black	1	BHA 130
	750050	Cap red	1	BHA 150
12	1040060	O-ring Ø 72.69x2.62	1	
14	540290	Bolt TCEI M8x25	3	T90*
15	2240070	Oil sight glass	1	
16	2240270	O-ring Ø 67.95x2.62	1	
17	2240011	Pump body	1	
18	2240452	Head marked DX	2	
20	2240470	Bolt TCEI M12x70	18	T445*
21	180101	O-ring Ø 17.5x2	2	
22	2240190	Base	2	
23	540100	Bolt TE M12x40	6	T445*
24	820361	Plug 1/2" G brass	2	T180*
25	2240453	Head marked SX	1	
26	1527	Air chamber Buna	1	
	43071	Air chamber BlueFlex™	1	Not shown
27	180020	Air valve	1	T35*
28	650542	Gasket	1	
29	380410	Bolt TCEI M8x40	8	T180*
30	620234	Semi air chamber upper	1	Anodized
31	550190	Semi air chamber	1	NBR
	550194	Air chamber	1	BlueFlex™
33	2240481	Semi air chamber lower	1	
34	2240490	Fitting	1	Brass (a)
35	720030	O-ring Ø 22.22x2.62	1	
36	540550	Elbow 1 1/2"	1	
37	540540	Ring nut 1" 3/4 G	1	
38	250310	O-ring Ø 36.14x2.62	1	
39	680070	O-ring Ø 31.5x4.25	6	90Sh
40	759054	Valve	6	
41	130491	Ball valve 3/8" G - 1/2" G M-M DX	1	T180*
42	110130	Ring nut 1/2"	2	
43	900210	Fitting 3/8" G M-F	2	
44	880530	Plug 3/8" G	1	T180*

Pos	Code	Description	Qty	Note
45	650330	Bolt TCEI M10x35	6	T355*
46	880581	Plug 1/4" G	1	T180*
47	820510	O-ring Ø 10.82x1.78	1	
48	2240461	Manifold asp./manifold	1	
49	850250	Bolt TCEI M8x12	4	T90*
50	390311	Washer	4	
51	1500470	Shield	1	
52	851650	Elbow manifold	1	
53	130492	Ball valve 3/8" G - 1/2" G M-M SX	1	T180*
60	2240160	Ring circlip Øi 62	2	
61	2240150	Ring seal	2	
62	2240430	Bearing	2	
63	2240121	Ring connecting rod	2	
64	850320	Bearing	2	
65	2240173	Shaft C/C m-BE	1	
66	2240290	O-ring Ø 152.7x2.62	1	
67	2240020	Flange	1	
68	160670	Bolt TE M10x25	6	T355*
71	2240390	Ring connecting rod	1	
72	2240400	Retaining washer	1	
73	2240440	Bearing	1	
74	1800090	Ring seal	1	
75	620330	Ring circlip Øi 65	1	
76	2240610	Flange	1	Ø 32
	2240370	Flange	1	Ø 1" 3/8
77	760020	Elbow 2"	1	Optional
78	760040	Ring nut 2" G	1	Optional
79	620210	O-ring Ø 40.95x2.62	1	Optional
80	2380080	Fitting 2" G - 1" 3/4 G M-F	1	Optional
81	392190	Hose barb 1 1/2"	1	Optional

\* Torque: in-lbs +/- 10%

Suggested Oil: AR64532D (32 oz)  
- Crankcase oil capacity: 89 oz

High pressure

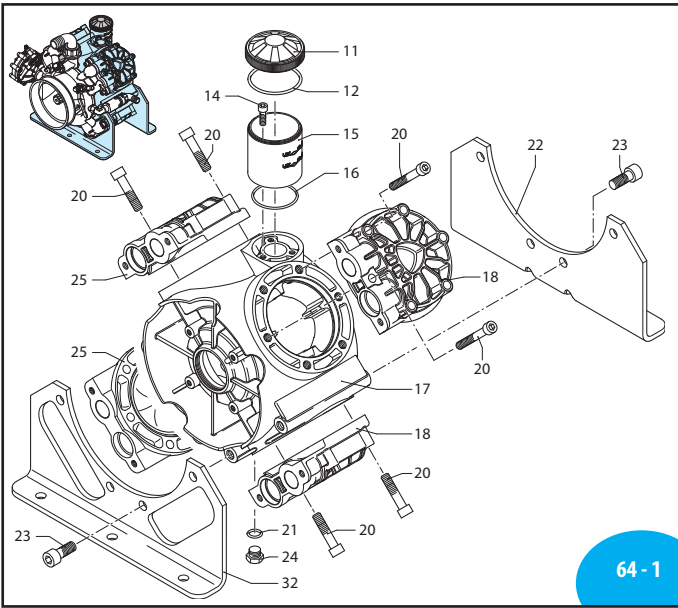
<b>AR 43320</b> BlueFlex™ diaphragms	
<b>AR 43318</b> Buna diaphragms	
<b>AR 43319</b> Desmopan diaphragms	
Pos.	Qty
3	3
31	1
39	6

<b>AR 2445</b> Valves	
Pos.	Qty
39	6
40	6

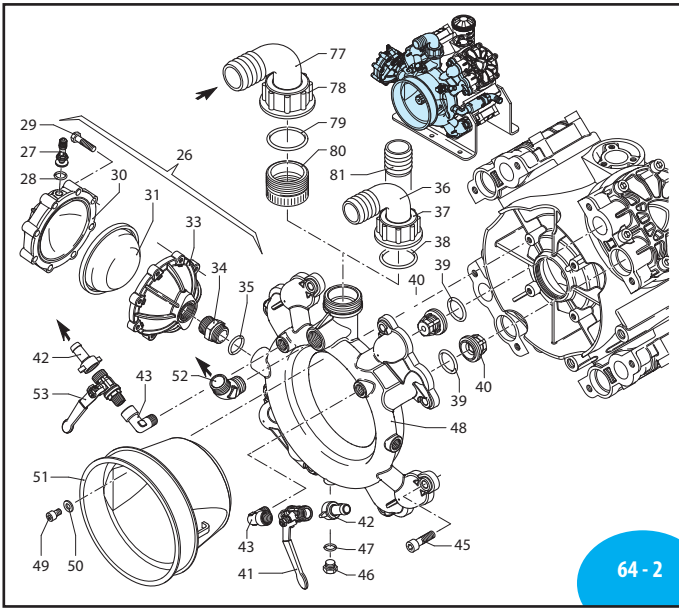
<b>AR 2446</b> O-Rings	
Pos.	Qty
12	1
16	1
21	2
35	1
38	1
39	6
47	1
57	1
66	1

# A.R. NORTH AMERICA

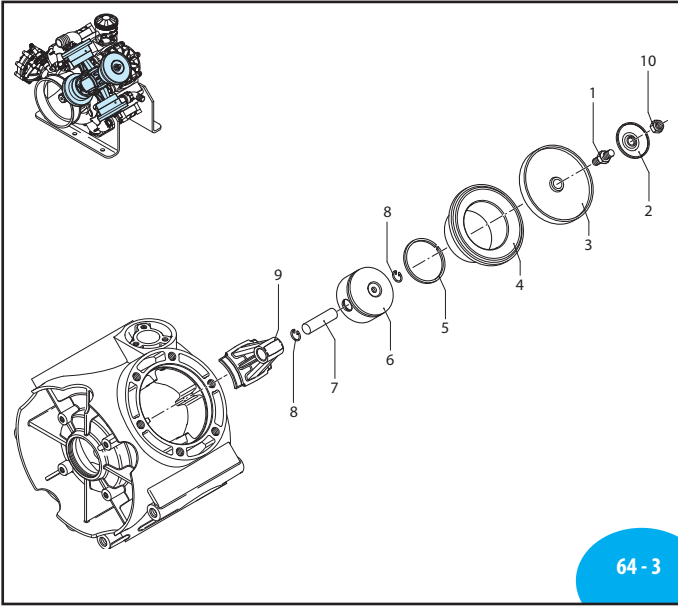
## BHA 170 - BHA 200



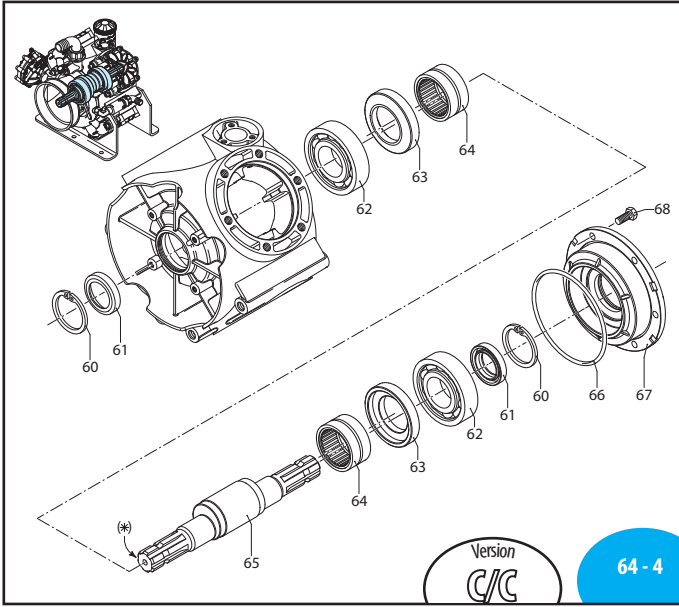
64 - 1



64 - 2



64 - 3



64 - 4





# BHA 170 - BHA 200

	C/C
BHA170	31762
BHA200	31763

Pos	Code	Description	Qty	Note
1	2240100	Hub pin	4	T265*
2	580090	Retaining washer	4	
3	2240080	Diaphragm	4	NBR
	2240085	Diaphragm	4	Desmopan
	2240081	Diaphragm	4	BlueFlex™
4	2240560	Sleeve	4	BHA 170
	2240520	Sleeve	4	BHA 200
5	2240570	Piston ring	4	BHA 170
	2240360	Piston ring	4	BHA 200
6	2240550	Piston Ø 76	4	BHA 170
	2240350	Piston Ø 82	4	BHA 200
7	2240580	Pin	4	BHA 170
	540070	Pin	4	BHA 200
8	160691	Ring circlip Ø1 18	8	
9	2380050	Connecting-rod	4	
10	2240110	Nut M10	4	SS T265*
11	1800060	Cap black	1	BHA 170
	750050	Cap red	1	BHA 200
12	1040060	O-ring Ø 72.69x2.62	1	
14	540290	Bolt TCEI M8x25	3	T90*
15	2240070	Oil sight glass	1	
16	2240270	O-ring Ø 67.95x2.62	1	
17	2380011	Pump body	1	
18	2240452	Head marked DX	2	
20	2240470	Bolt TCEI M12x70	24	T445*
21	180101	O-ring Ø 17.5x2	1	
22	2380040	Base	1	
23	2380060	Bolt TCEI M14x35	8	T445*
24	820361	Plug 1/2" G brass	1	T180*
25	2240453	Head marked SX	2	
26	1527	Air chamber Buna	1	
	43071	Air chamber BlueFlex™	1	Not shown
27	180020	Air valve	1	T35*
28	650542	Gasket	1	
29	380410	Bolt TCEI M8x40	8	T180*
30	620234	Semi air chamber upper	1	Anodized
31	550190	Semi air chamber	1	NBR
	550194	Air chamber	1	BlueFlex™
32	2380030	Base	1	
33	2240481	Semi air chamber lower	1	
34	2240490	Fitting	1	Brass
35	720030	O-ring Ø 22.22x2.62	1	
36	540550	Elbow 1 1/2"	1	
37	540540	Ring nut 1" 3/4 G	1	
38	250310	O-ring Ø 36.14x2.62	1	
39	680070	O-ring Ø 31.5x4.25	8	
40	759054	Valve	8	
41	130491	Ball valve 3/8" G - 1/2" G M-M DX	1	
42	110130	Ring nut 1/2"	2	
43	900210	Fitting 3/8" G M-F	2	

Pos	Code	Description	Qty	Note
45	650330	Bolt TCEI M10x35	8	T355*
46	880581	Plug 1/4" G	1	T180*
47	820510	O-ring Ø 10.82x1.78	1	
48	2380071	Manifold asp./manifold	1	
49	850250	Bolt TCEI M8x12	4	T90*
50	390311	Washer	4	
51	1500470	Shield	1	
52	851650	Elbow manifold	1	
53	130492	Ball valve 3/8" G - 1/2" G M-M SX	1	
60	2240160	Ring circlip Ø1 62	2	
61	2240150	Ring seal	2	
62	2240430	Bearing	2	
63	2240121	Ring connecting rod	2	
64	850320	Bearing	2	
65	2240173	Shaft C/C m-BE	1	
66	2240290	O-ring Ø 152.7x2.62	1	
67	2240020	Flange	1	
68	160670	Bolt TE M10x25	6	T355*
71	2240390	Ring connecting rod	1	
72	2240400	Retaining washer	1	
73	2240380	Bearing	1	
74	1800090	Ring seal	1	
75	620330	Ring circlip Ø1 65	1	
76	2240610	Flange	1	Ø 32
	2240370	Flange	1	Ø 1" 3/8
77	760020	Elbow 2"	1	Optional
78	760040	Ring nut 2" G	1	Optional
79	620210	O-ring Ø 40.95x2.62	1	Optional
80	2380080	Fitting 2" G - 1" 3/4 G M-F	1	Optional
81	392190	Hose barb 1 1/2"	1	Optional

\* Torque: in-lbs +/- 10%

Suggested Oil: AR64532D (32 oz)  
- Crankcase oil capacity: 119 oz

High pressure

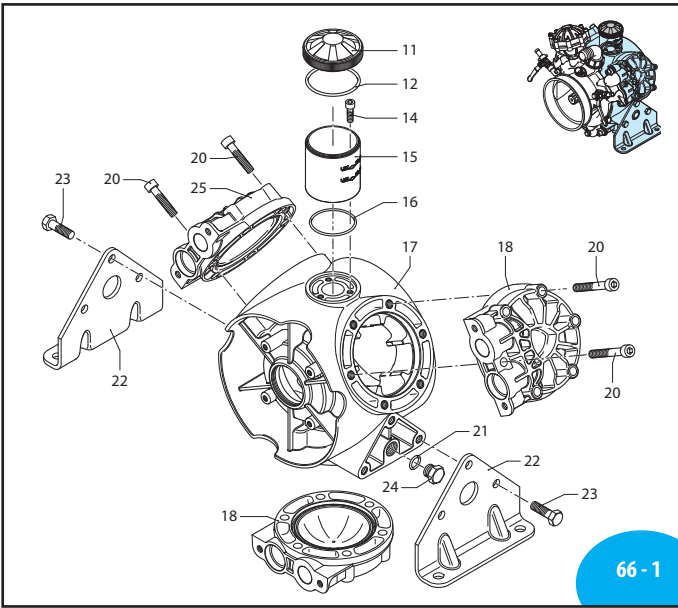
<b>AR 43323</b> BlueFlex™ diaphragms	
<b>AR 43321</b> Buna diaphragms	
<b>AR 43322</b> Desmopan diaphragms	
Pos.	Qty
3	4
31	1
39	8

<b>AR 2374</b> Valves	
Pos.	Qty
39	8
40	8

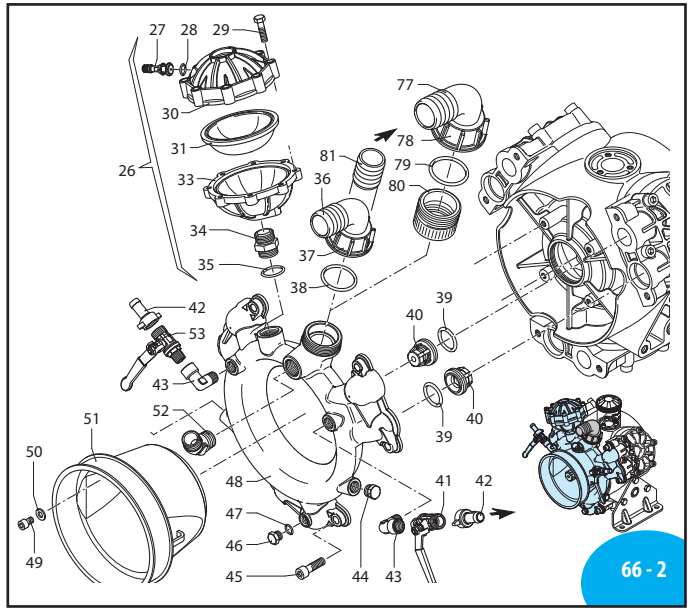
<b>AR 2457</b> O-Rings	
Pos.	Qty
12	1
16	1
21	1
35	1
38	1
39	8
47	1
57	1
66	1

# A.R. NORTH AMERICA

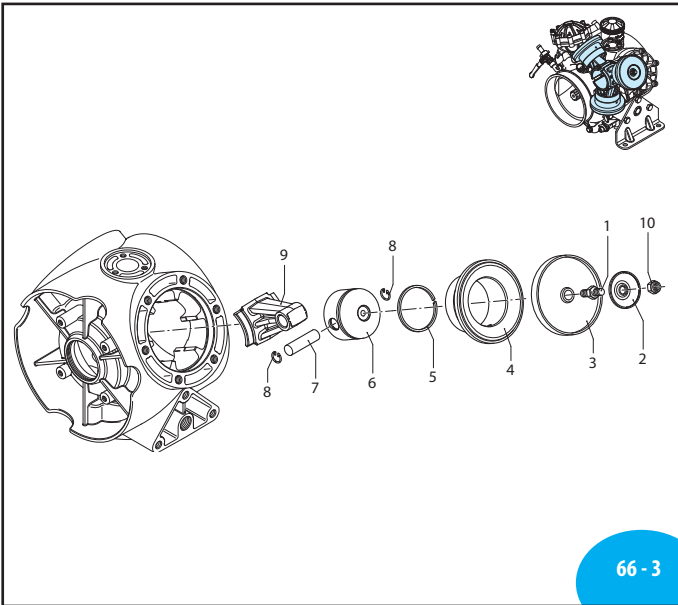
## BHP 130 - BHP 150



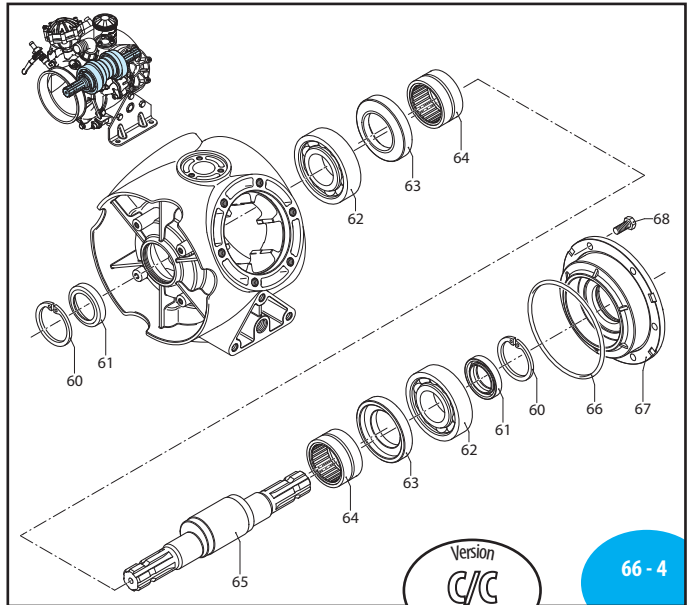
66 - 1



66 - 2



66 - 3



66 - 4



# BHP 130 - BHP 150

	C/C
BHP130	31764
BHP150	31765

Pos	Code	Description	Qty	Note
1	2240100	Hub pin	3	T265*
2	580090	Retaining washer	3	
3	2240080	Diaphragm	3	NBR
	2240085	Diaphragm	3	Desmopan
	2240081	Diaphragm	3	BlueFlex™
4	2240560	Sleeve	3	BHP 130
	2240520	Sleeve	3	BHP 150
5	2240570	Piston ring	3	BHP 130
	2240360	Piston ring	3	BHP 150
6	2240550	Piston Ø 76	3	BHP 130
	2240350	Piston Ø 82	3	BHP 150
7	2240580	Pin	3	BHP 130
	540070	Pin	3	BHP 150
8	160691	Ring circlip Ø1 18	6	
9	2240090	Connecting-rod	3	
10	2240110	Nut M10	3	SS T265*
11	1800060	Cap black	1	BHP 130
	750050	Cap red	1	BHP 150
12	1040060	O-ring Ø 72.69x2.62	1	
14	540290	Bolt TCEI M8x25	3	T90*
15	2240070	Oil sight glass	1	
16	2240270	O-ring Ø 67.95x2.62	1	
17	2240011	Pump body	1	
18	2240454	Head marked DX	2	green plasticised
20	2240470	Bolt TCEI M12x70	18	T445*
21	180101	O-ring Ø 17.5x2	2	
22	2240190	Base	2	
23	540100	Bolt TE M12x40	6	T445*
24	820361	Plug 1/2" G brass	2	Brass T180*
25	2240455	Head marked SX	1	green plasticised
26	1517	Air chamber Buna	1	
27	180020	Air valve	1	T35*
28	650542	Gasket	1	
29	380410	Bolt TCEI M8x40	8	T180*
30	620231	Semi air chamber upper	1	Green
31	550190	Semi air chamber	1	NBR
	550194	Air chamber	1	BlueFlex™
33	2240482	Semi air chamber lower	1	Green
34	2240490	Fitting	1	
35	720030	O-ring Ø 22.22x2.62	1	
36	540550	Elbow 1 1/2"	1	
37	540540	Ring nut 1" 3/4 G	1	
38	250310	O-ring Ø 36.14x2.62	1	
39	680070	O-ring Ø 31.5x4.25	6	
40	759054	Valve	6	
41	130491	Ball valve 3/8" G - 1/2" G M-M DX	1	
42	110130	Ring nut 1/2"	2	
43	900210	Fitting 3/8" G M-F	2	
44	880530	Plug 3/8" G	1	T180*
45	650330	Bolt TCEI M10x35	6	T355*

Pos	Code	Description	Qty	Note
46	880581	Plug 1/4" G	1	T355*
47	820510	O-ring Ø 10.82x1.78	1	
48	2240462	Manifold asp./manifold	1	
49	850250	Bolt TCEI M8x12	4	T90*
50	390311	Washer	4	
51	1500470	Shield	1	
52	851650	Elbow manifold	1	
53	130492	Ball valve 3/8" G - 1/2" G M-M SX	1	
60	2240160	Ring circlip Ø1 62	2	
61	2240150	Ring seal	2	
62	2240430	Bearing	2	
63	2240121	Ring connecting rod	2	
64	850320	Bearing	2	
65	2240173	Shaft C/C m-BE	1	
66	2240290	O-ring Ø 152.7x2.62	1	
67	2240020	Flange	1	
68	160670	Bolt TE M10x25	6	T355*
71	2240390	Ring connecting rod	1	
72	2240400	Retaining washer	1	
73	2240440	Bearing	1	
74	1800090	Ring seal	1	
75	620330	Ring circlip Ø1 65	1	
76	2240610	Flange	1	Ø 32
	2240370	Flange	1	Ø 1" 3/8
77	760020	Elbow 2"	1	Optional
78	760040	Ring nut 2" G	1	Optional
79	620210	O-ring Ø 40.95x2.62	1	Optional
80	2380080	Fitting 2" G - 1" 3/4 G M-F	1	Optional
81	392190	Hose barb 1 1/2"	1	Optional

\* Torque: in-lbs +/- 10%

Suggested Oil: AR64532D (32 oz)  
- Crankcase oil capacity: 89 oz

High pressure

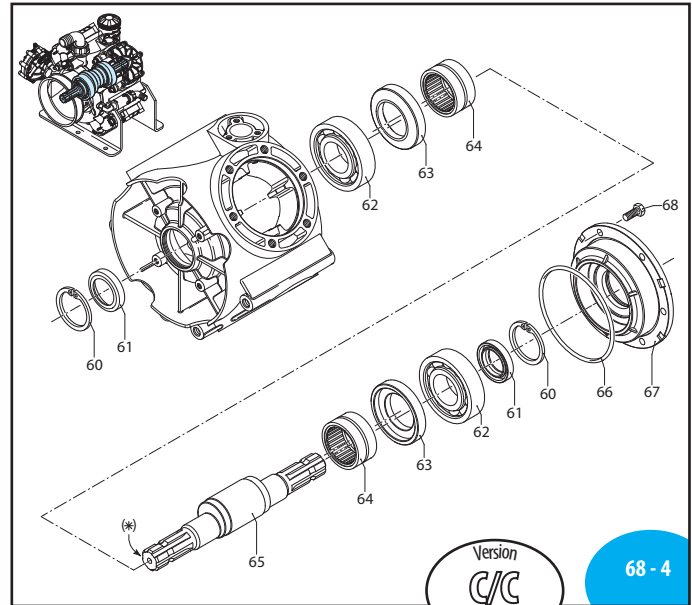
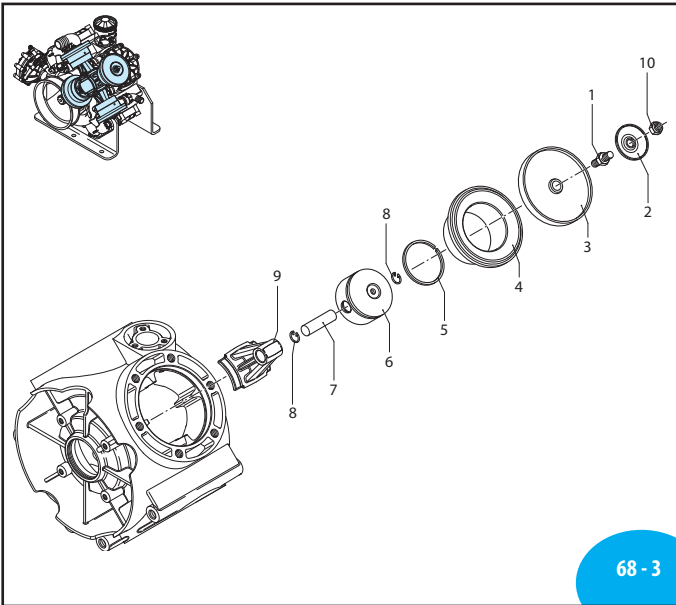
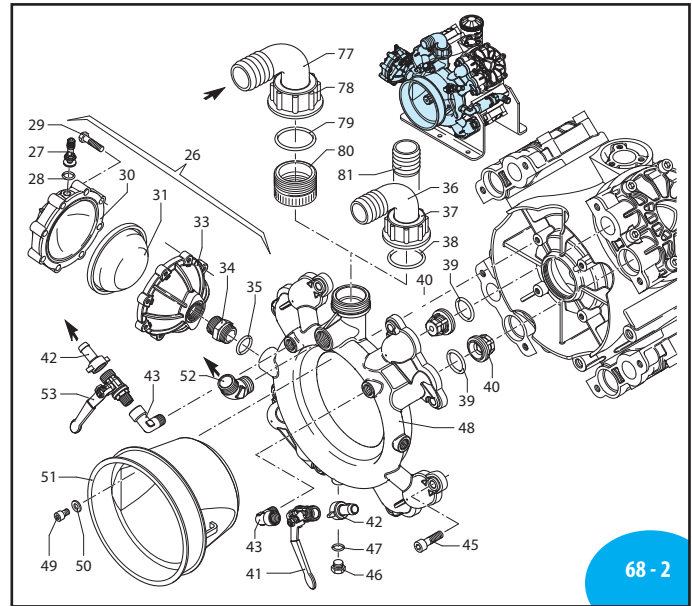
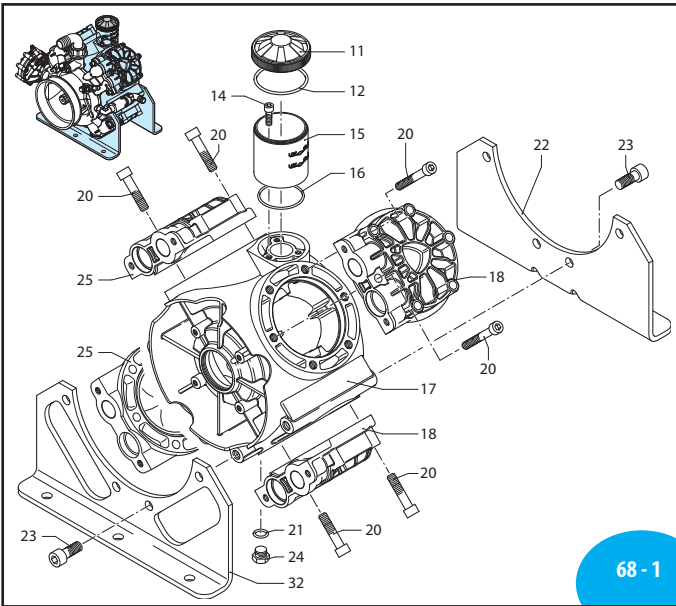
AR 43320 BlueFlex™ diaphragms	
AR 43318 Buna diaphragms	
AR 43319 Desmopan diaphragms	
Pos.	Qty
3	3
31	1
39	6

AR 2445 Valves	
Pos.	Qty
39	6
40	6

AR 2446 O-Rings	
Pos.	Qty
12	1
16	1
21	2
35	1
38	1
39	6
47	1
57	1
66	1

# A.R. NORTH AMERICA

## BHP 170 - BHP 200



# BHP 170 - BHP 200

	C/C
BHP170	31766
BHP200	31767

Pos	Code	Description	Qty	Note
1	2240100	Hub pin	4	T265*
2	580090	Retaining washer	4	
3	2240080	Diaphragm	4	NBR
	2240085	Diaphragm	4	Desmopan
	2240081	Diaphragm	4	BlueFlex™
4	2240560	Sleeve	4	BHP 170
	2240520	Sleeve	4	BHP 200
5	2240570	Piston ring	4	BHP 170
	2240360	Piston ring	4	BHP 200
6	2240550	Piston Ø 76	4	BHP 170
	2240350	Piston Ø 82	4	BHP 200
7	2240580	Pin	4	BHP 170
	540070	Pin	4	BHP 200
8	160691	Ring circlip Øi 18	8	
9	2380050	Connecting-rod	4	
10	2240110	Nut M10	4	SS T265*
11	1800060	Cap black	1	BHP 170
	750050	Cap red	1	BHP 200
12	1040060	O-ring Ø 72.69x2.62	1	
14	540290	Bolt TCEI M8x25	3	T90*
15	2240070	Oil sight glass	1	
16	2240270	O-ring Ø 67.95x2.62	1	
17	2380011	Pump body	1	
18	2240454	Head marked DX	2	Plastisized green
20	2240470	Bolt TCEI M12x70	24	T445*
21	180101	O-ring Ø 17.5x2	1	
22	2380040	Base	1	
23	2380060	Bolt TCEI M14x35	8	T445*
24	820361	Plug 1/2" G brass	1	T180*
25	2240455	Head marked SX	2	Plastisized green
26	1517	Air chamber Buna	1	
27	180020	Air valve	1	T35*
28	650542	Gasket	1	
29	380410	Bolt TCEI M8x40	8	T180*
30	620231	Semi air chamber upper	1	Green
31	550190	Semi air chamber	1	NBR
	550194	Air chamber	1	BlueFlex™
32	2380030	Base	1	
33	2240482	Semi air chamber lower	1	Green
34	2240490	Fitting	1	
35	720030	O-ring Ø 22.22x2.62	1	
36	540550	Elbow 1 1/2"	1	
37	540540	Ring nut 1" 3/4 G	1	
38	250310	O-ring Ø 36.14x2.62	1	
39	680070	O-ring Ø 31.5x4.25	8	
40	759054	Valve	8	
41	130491	Ball valve 3/8" G - 1/2" G M-M DX	1	
42	110130	Ring nut 1/2"	2	
43	900210	Fitting 3/8" G M-F	2	
45	650330	Bolt TCEI M10x35	8	T355*

Pos	Code	Description	Qty	Note
46	880581	Plug 1/4" G	1	T180*
47	820510	O-ring Ø 10.82x1.78	1	
48	2380072	Manifold asp./manifold	1	
49	850250	Bolt TCEI M8x12	4	T90*
50	390311	Washer	4	
51	1500470	Shield	1	
52	851650	Elbow manifold	1	
53	130492	Ball valve 3/8" G - 1/2" G M-M SX	1	
60	2240160	Ring circlip Øi 62	2	
61	2240150	Ring seal	2	
62	2240430	Bearing	2	
63	2240121	Ring connecting rod	2	
64	850320	Bearing	2	
65	2240173	Shaft C/C m-BE	1	
66	2240290	O-ring Ø 152.7x2.62	1	
67	2240020	Flange	1	
68	160670	Bolt TE M10x25	6	T355*
71	2240390	Ring connecting rod	1	
72	2240400	Retaining washer	1	
73	2240380	Bearing	1	
74	1800090	Ring seal	1	
75	620330	Ring circlip Øi 65	1	
76	2240610	Flange	1	
	2240370	Flange	1	
77	760020	Elbow 2"	1	Optional
78	760040	Ring nut 2" G	1	Optional
79	620210	O-ring Ø 40.95x2.62	1	Optional
80	2380080	Fitting 2" G - 1" 3/4 G M-F	1	Optional
81	392190	Hose barb 1 1/2"	1	Optional

\* Torque: in-lbs +/- 10%

Suggested Oil: AR64532D (32 oz)  
- Crankcase oil capacity: 119 oz

High pressure

<b>AR 43323</b> BlueFlex™ diaphragms	
<b>AR 43321</b> Buna diaphragms	
<b>AR 43322</b> Desmopan diaphragms	
Pos.	Qty
3	4
31	1
39	8

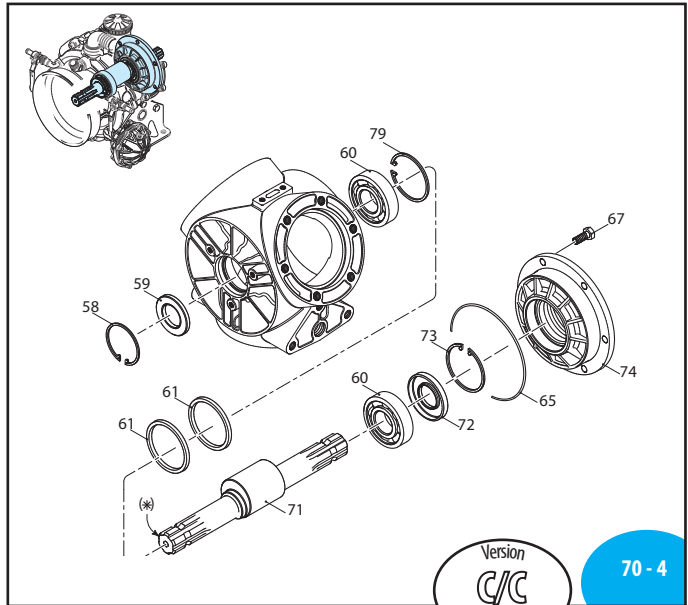
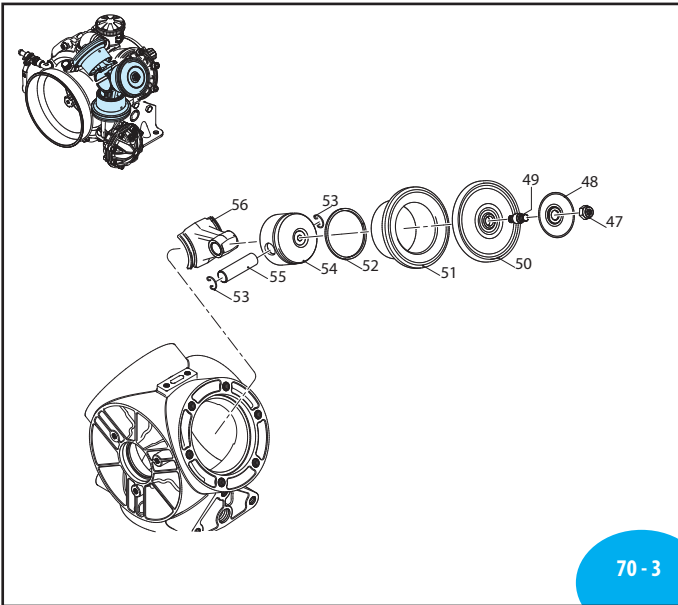
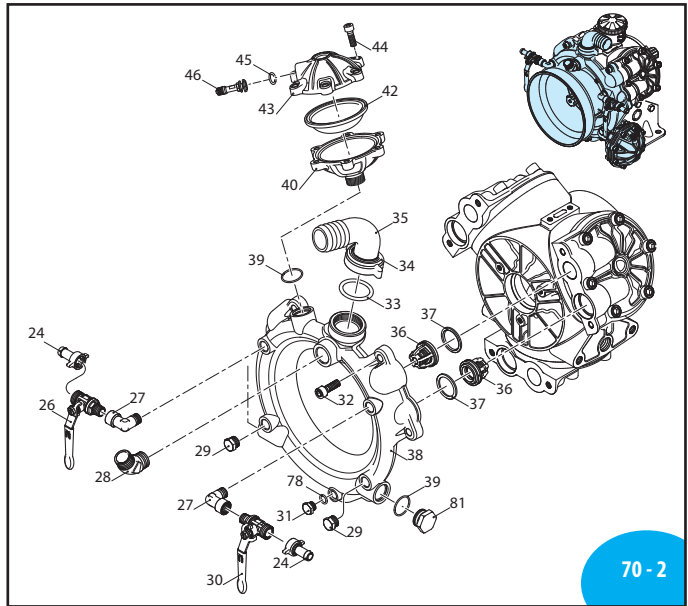
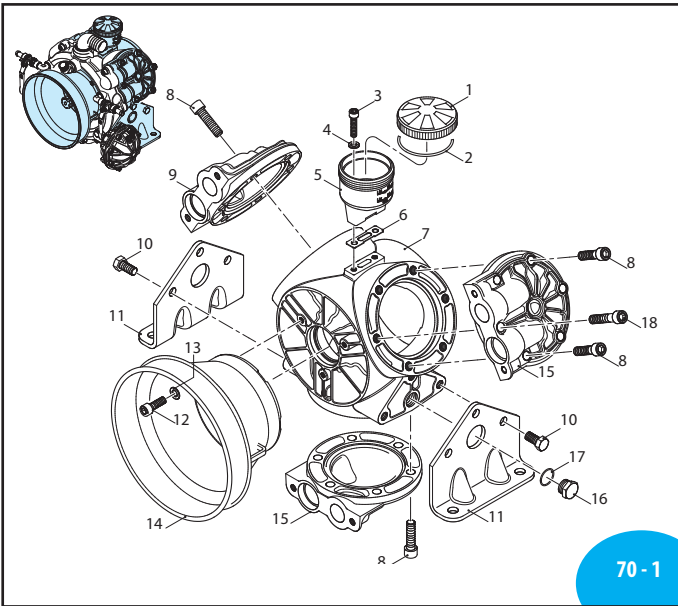
<b>AR 2374</b> Valves	
Pos.	Qty
39	8
40	8

<b>AR 2457</b> O-Rings	
Pos.	Qty
12	1
16	1
21	1
35	1
38	1
39	8
47	1
57	1
66	1



# A.R. NORTH AMERICA

## BHS 90 - BHS 105 - BHS 120



# BHS 90 - BHS 105 - BHS 120

	C/C
BHS90	31768
BHS105	31769
BHS120	31770

Pos	Code	Description	Qty	Note
1	750051	Cap green	1	BHS 90
	1800060	Cap black	1	BHS 105
	750050	Plug red	1	BHS 120
2	1040060	O-ring Ø 72.69x2.62	1	
3	680350	Bolt TCEI M8x35	2	T180*
4	380241	Washer	2	
5	750030	Oil sight glass	1	
6	750040	Gasket	1	
7	2660010	Pump body	1	
8	2660050	Bolt TCEI M12x45	15	T445*
9	2660031	Head marked SX	1	
10	540210	Bolt TE M12x25	6	T445*
11	2680100	Base	2	
12	850250	Bolt TCEI M8x12	7	T180*
13	390311	Washer	3	
14	1500470	Shield	1	
15	2660030	Head marked DX	2	
16	820361	Plug 1/2" G brass	2	T180*
17	180101	O-ring Ø 17.5x2	2	
18	2660040	Bolt TCEI M12x60	3	T445*
24	110131	Ring nut 1/2"	2	
25	2660060	Fitting	1	
26	130492	Ball valve 3/8" G - 1/2" G M-M SX	1	
27	2240260	Fitting 3/8" G M-F	2	
28	851650	Elbow manifold	1	
29	880530	Plug 3/8" G	2	T180*
30	130491	Ball valve 3/8" G - 1/2" G M-M DX	1	
31	880581	Plug 1/4" G	1	T180*
32	540300	Bolt TCEI M10x30	6	T355*
33	390210	O-ring Ø 39.69x3.53	1	
34	2240200	Ring nut 1" 3/4 G	1	
35	2240211	Elbow 1 1/2"	1	
36	759054	Valve	6	
37	680070	O-ring Ø 31.5x4.25	6	
38	2660021	Manifold asp./manifold	1	
39	720030	O-ring Ø 22.22x2.62	2	
40	2660070	Semi air chamber lower	1	
42	800190	Semi air chamber lower	1	
43	2660080	Semi air chamber upper	1	
44	540290	Bolt TCEI M8x25	8	T180*
45	650542	Gasket	1	
46	180020	Air valve	1	
47	2240110	Nut M10	3	SST265*
48	580090	Retaining washer	3	
49	2240100	Hub pin	3	T265*
51	550080	Diaphragm	3	NBR
	550084	Diaphragm	3	Viton
	550085	Diaphragm	3	Desmopan
	550086	Diaphragm	3	HPDS

Pos	Code	Description	Qty	Note
51	2680060	Sleeve	3	BHS 90
	2680070	Sleeve	3	BHS 105
	2680080	Sleeve	3	BHS 120
52	260230	Piston ring	3	
53	160691	Ring circlip Øi 18	6	
54	2240060	Piston Ø 72	3	
55	260700	Pin	3	
56	2680090	Connecting-rod	3	
57	2680130	Ring seal	1	
58	200390	Ring circlip Øi 62	1	
59	2680110	Ring seal	1	
60	230350	Bearing	1	
61	2240540	Ring connecting rod	2	
62	2680250	Shaft C/SP m-Cl	1	BHS 90
	2680260	Shaft C/SP m-CL	1	BHS 105
	2680270	Shaft C/SP m-CM	1	BHS 120
63	2680290	Ring circlip Øe 65	1	
64	2680280	Bearing	1	
65	1400120	O-ring Ø 145.72x2.62	2	
66	2680241	Flange	1	
67	160670	Bolt TE M10x25	6	T355*
68	1400150	Ring seal	1	
69	1400110	Ring	1	
70	1400140	Flange	1	
71	2680170	Shaft C/C m-CA	1	BHS 90
	2680180	Shaft C/C m-CB	1	BHS 105
	2680190	Shaft C/C m-CC	1	BHS 120
72	2680120	Ring seal	1	
73	161050	Ring circlip Øi 72	1	
74	2680022	Flange	1	
76	230310	Bearing	1	
77	2680023	Flange	1	
78	820510	O-ring Ø 10.82x1.78	1	
79	230340	Ring circlip Øi 80	1	
81	1140300	Plug 3/4" G	1	T355*
82	1554	Air chamber	1	

\* Torque: in-lbs +/- 10%

Suggested Oil: AR64532D (32 oz)  
- Crankcase oil capacity: 52 oz

High pressure brass

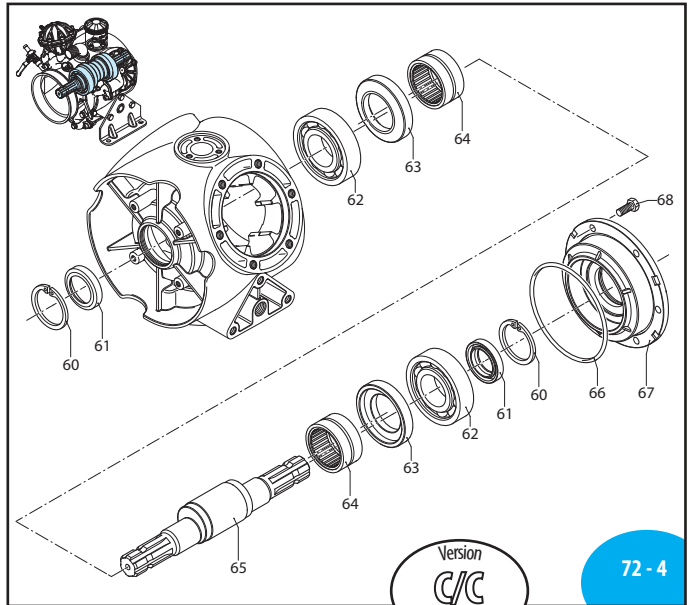
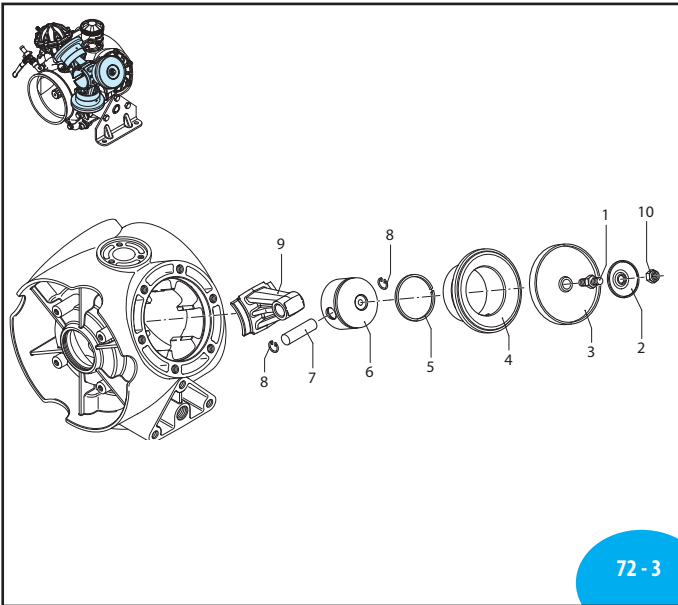
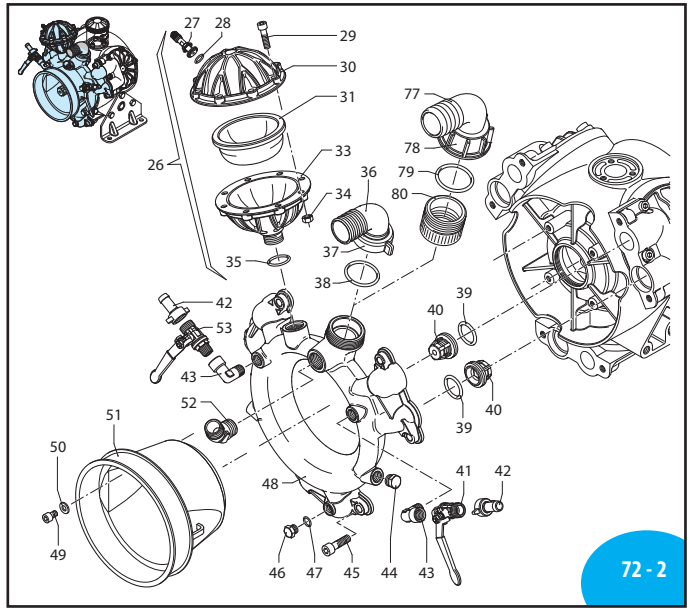
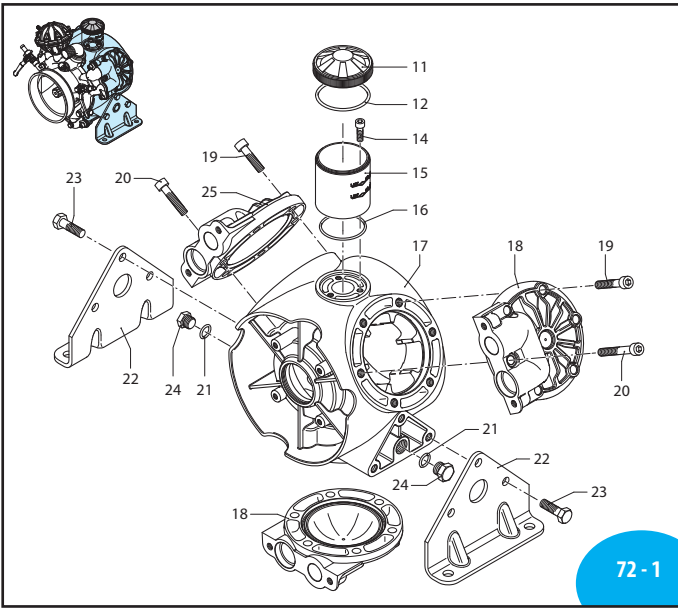
<b>AR 43314</b> Buna diaphragms	
<b>AR 43317</b> BlueFlex™ diaphragms	
<b>AR 43315</b> Desmopan diaphragms	
<b>AR 43316</b> Viton diaphragms	
Pos.	Qty
37	6
42	1
50	3

<b>AR 2445</b> Valves	
Pos.	Qty
36	6
37	6

<b>AR 42205</b> O-Rings	
Pos.	Qty
2	1
17	3
21	1
33	1
37	6
39	1
65	2
78	1

# A.R. NORTH AMERICA

## BHS 130 - BHS 150



# BHS 130 - BHS 150

	C/C
BHS130	31771
BHS150	31772

Pos	Code	Description	Qty	Note
1	2240100	Hub pin	3	T265*
2	580090	Retaining washer	3	
3	2240080	Diaphragm	3	NBR
	2240085	Diaphragm	3	Desmopan
	2240081	Diaphragm	3	BlueFlex™
4	2240560	Sleeve	3	BHS 130
	2240520	Sleeve	3	BHS 150
5	2240570	Piston ring	3	BHS 130
	2240360	Piston ring	3	BHS 150
6	2240550	Piston Ø 76	3	BHS 130
	2240350	Piston Ø 82	3	BHS 150
7	2240580	Pin	3	BHS 130
	540070	Pin	3	BHS 150
8	160691	Ring circlip Øi 18	6	
9	2240090	Connecting-rod	3	
10	2240110	Nut M10	3	SS T265*
11	1800060	Cap black	1	BHS 130
	750050	Cap red	1	BHS 150
12	1040060	O-ring Ø 72.69x2.62	1	
14	540290	Bolt TCEI M8x25	3	T90*
15	2240070	Oil sight glass	1	
16	2240270	O-ring Ø 67.95x2.62	1	
17	2240011	Pump body	1	
18	2240030	Head marked DX	2	
19	2240180	Bolt TE M12x50	15	T445*
20	2240220	Bolt TE M12x65	3	T445*
21	180101	O-ring Ø 17.5x2	2	
22	2240190	Base	2	
23	540100	Bolt TE M12x40	6	T445*
24	820361	Plug 1/2" G brass	2	T180*
25	2240031	Head marked SX	1	
26	1529	Air chamber	1	
27	180020	Air valve	1	T35*
28	650542	Gasket	1	
29	680350	Bolt TCEI M8x35	8	T180*
30	2240300	Semi air chamber upper	1	
31	550190	Semi air chamber	1	NBR
	550194	Air chamber	1	BlueFlex™
33	2240310	Semi air chamber lower	1	
34	380240	Nut M8	8	T180*
35	720030	O-ring Ø 22.22x2.62	1	
36	2240211	Elbow Ø 40	1	
37	2240200	Ring nut 1" 3/4 G	1	
38	390210	O-ring Ø 39.69x3.53	1	
39	680070	O-ring Ø 31.5x4.25	6	
40	759054	Valve	6	
41	130491	Ball valve 3/8" G - 1/2" G M-M DX	1	T180*
42	110130	Ring nut 1/2"	2	
43	2240260	Fitting 3/8" G M-F	2	
44	880530	Plug 3/8" G	1	T180*

Pos	Code	Description	Qty	Note
45	650330	Bolt TCEI M10x35	6	T355*
46	880581	Plug 1/4" G	1	T180*
47	820510	O-ring Ø 10.82x1.78	1	
48	2240040	Manifold asp./manifold	1	
49	850250	Bolt TCEI M8x12	4	T90*
50	390311	Washer	4	
51	1500470	Shield	1	
52	851650	Elbow manifold	1	
53	130492	Ball valve 3/8" G - 1/2" G M-M SX	1	T180*
60	2240160	Ring circlip Øi 62	2	
61	2240150	Ring seal	2	
62	2240430	Bearing	2	
63	2240121	Ring connecting rod	2	
64	850320	Bearing	2	
65	2240173	Shaft C/C m-BE	1	
66	2240290	O-ring Ø 152.7x2.62	1	
67	2240020	Flange	1	
68	160670	Bolt TE M10x25	6	T355*
71	2240390	Ring connecting rod	1	
72	2240400	Retaining washer	1	
73	2240440	Bearing	1	
74	1800090	Ring seal	1	
75	620330	Ring circlip Øi 65	1	
76	2240610	Flange	1	Ø 32
	2240370	Flange	1	Ø 1" 3/8
77	760020	Elbow 2"	1	Optional
78	760040	Ring nut 2" G	1	Optional
79	620210	O-ring Ø 40.95x2.62	1	Optional
80	2380080	Fitting 2" G - 1" 3/4 G M-F	1	Optional

\* Torque: in-lbs +/- 10%

Suggested Oil: AR64532D (32 oz)  
- Crankcase oil capacity: 89 oz

High pressure brass

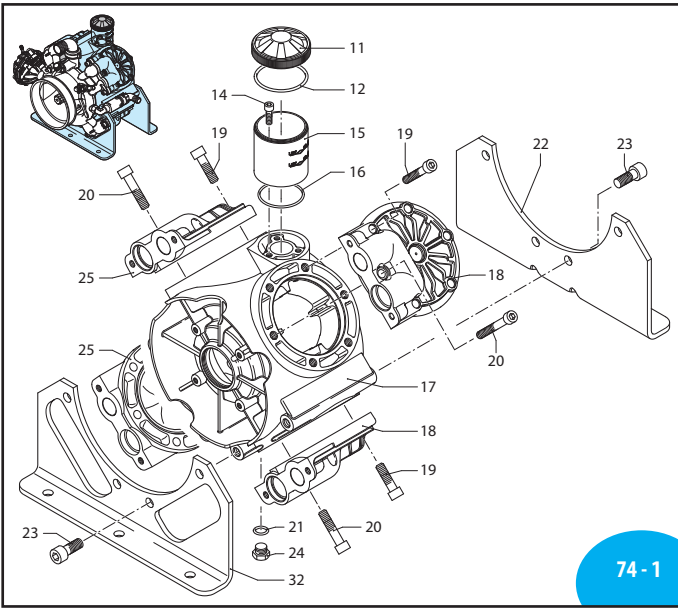
<b>AR 43318</b> Buna diaphragms	
<b>AR 43320</b> BlueFlex™ diaphragms	
<b>AR 43319</b> Desmopan diaphragms	
Pos.	Qty
3	3
31	1
39	6

<b>AR 2445</b> Valves	
Pos.	Qty
39	6
40	6

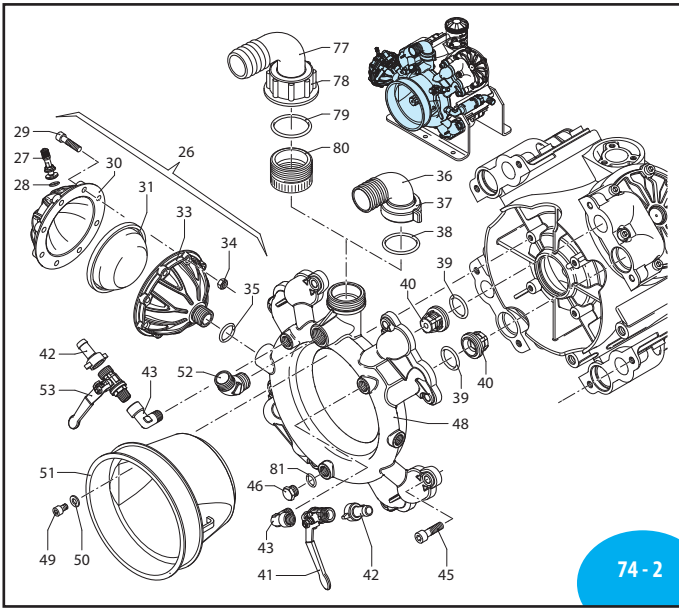
<b>AR 2446</b> O-Rings	
Pos.	Qty
12	1
16	1
21	2
35	1
38	1
39	6
47	1
57	1
66	1

# A.R. NORTH AMERICA

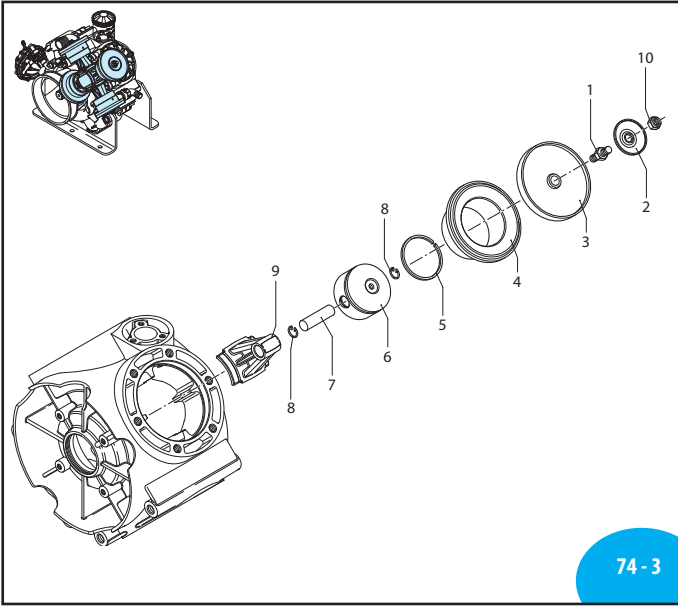
## BHS 170 - BHS 200



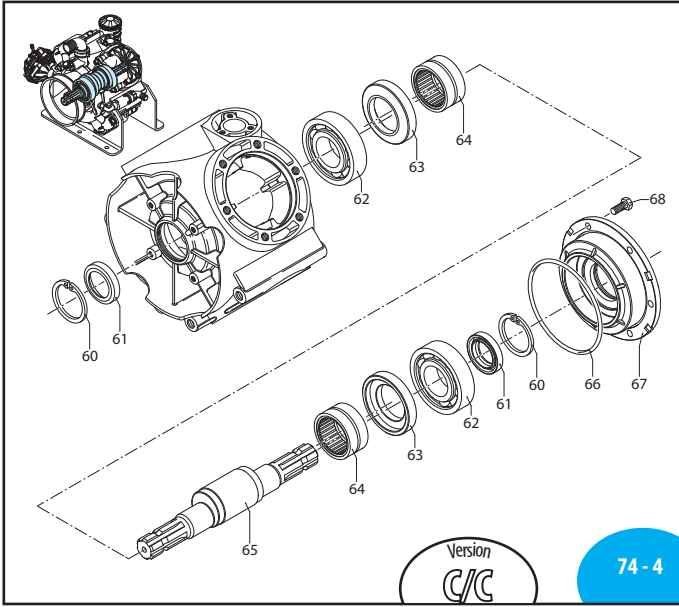
74 - 1



74 - 2



74 - 3



74 - 4





# BHS 170 - BHS 200

	C/C
BHS170	31773
BHS200	31774

Pos	Code	Description	Qty	Note
1	2240100	Hub pin	4	T265*
2	580090	Retaining washer	4	
3	2240081	Diaphragm	4	BlueFlex
	2240085	Diaphragm	4	Desmopan
4	2240560	Sleeve	4	BHS 170
	2240520	Sleeve	4	BHS 200
5	2240570	Piston ring	4	BHS 170
	2240360	Piston ring	4	BHS 200
6	2240550	Piston $\varnothing$ 76	4	BHS 170
	2240350	Piston $\varnothing$ 82	4	BHS 200
7	2240580	Pin	4	BHS 170
	540070	Pin	4	BHS 200
8	160691	Ring circlip $\varnothing$ i 18	8	
9	2380050	Connecting-rod	4	
10	2240110	Nut M10	4	SS T265*
11	1800060	Cap black	1	BHS 170
	750050	Cap red	1	BHS 200
12	1040060	O-ring $\varnothing$ 72.69x2.62	1	
14	540290	Bolt TCEI M8x25	3	T90*
15	2240070	Oil sight glass	1	
16	2240270	O-ring $\varnothing$ 67.95x2.62	1	
17	2380011	Pump body	1	
18	2240030	Head marked DX	2	
19	2240180	Bolt TE M12x50	20	T445*
20	2240220	Bolt TE M12x65	4	T445*
21	180101	O-ring $\varnothing$ 17.5x2	1	
22	2380040	Base	1	
23	2380060	Bolt TCEI M14x35	8	T445*
24	820361	Plug 1/2" G brass	1	T180*
25	2240031	Head marked SX	2	
26	1529	Air chamber	1	
27	180020	Air valve	1	T35*
28	650542	Gasket	1	
29	680350	Bolt TCEI M8x35	8	T180*
30	2240300	Semi air chamber upper	1	
31	550190	Semi air chamber	1	NBR
32	2380030	Base	1	
33	2240310	Semi air chamber lower	1	
34	380240	Nut M8	8	T180*
35	720030	O-ring $\varnothing$ 22.22x2.62	1	
36	2240211	Elbow 1 1/2"	1	
37	2240200	Ring nut 1" 3/4 G	1	
38	390210	O-ring $\varnothing$ 39.69x3.53	1	
39	680070	O-ring $\varnothing$ 31.5x4.25	8	
40	759054	Valve	8	
41	130491	Ball valve 3/8" G - 1/2" G M-M DX	1	T180*
42	110130	Ring nut 1/2"	2	
43	2240260	Fitting 3/8" G M-F	2	T180*
45	650330	Bolt TCEI M10x35	8	T355*
46	880530	Plug 3/8" G	1	T180*

Pos	Code	Description	Qty	Note
48	2380020	Manifold asp./manifold	1	
49	850250	Bolt TCEI M8x12	4	T90*
50	390311	Washer	4	
51	1500470	Shield	1	
52	851650	Elbow manifold	1	
53	130492	Ball valve 3/8" G - 1/2" G M-M SX	1	T180*
60	2240160	Ring circlip $\varnothing$ i 62	2	
61	2240150	Ring seal	2	
62	2240430	Bearing	2	
63	2240121	Ring connecting rod	2	
64	850320	Bearing	2	
65	2240173	Shaft C/C m-BE	1	
66	2240290	O-ring $\varnothing$ 152.7x2.62	1	
67	2240020	Flange	1	
68	160670	Bolt TE M10x25	6	T355*
71	2240390	Ring connecting rod	1	
72	2240400	Retaining washer	1	
73	2240380	Bearing	1	
74	1800090	Ring seal	1	
75	620330	Ring circlip $\varnothing$ i 65	1	
76	2240610	Flange	1	$\varnothing$ 32
	2240370	Flange	1	$\varnothing$ 1" 3/8
77	760020	Elbow 2"	1	Optional
78	760040	Ring nut 2" G	1	Optional
79	620210	O-ring $\varnothing$ 40.95x2.62	1	Optional
80	2380080	Fitting 2" G - 1" 3/4 G M-F	1	Optional
81	740291	O-ring $\varnothing$ 14x1.78	1	Viton

\* Torque: in-lbs +/- 10%

Suggested Oil: AR64532D (32 oz)  
- Crankcase oil capacity: 119 oz

High pressure brass

<b>AR 43321</b> Buna diaphragms	
<b>AR 43323</b> BlueFlex™ diaphragms	
<b>AR 43322</b> Desmopan diaphragms	
Pos.	Qty
3	4
31	1
39	8

<b>AR 2374</b> Valves	
Pos.	Qty
39	8
40	8

<b>AR 2457</b> O-Rings	
Pos.	Qty
12	1
16	1
21	1
35	1
38	1
39	8
57	1
66	1



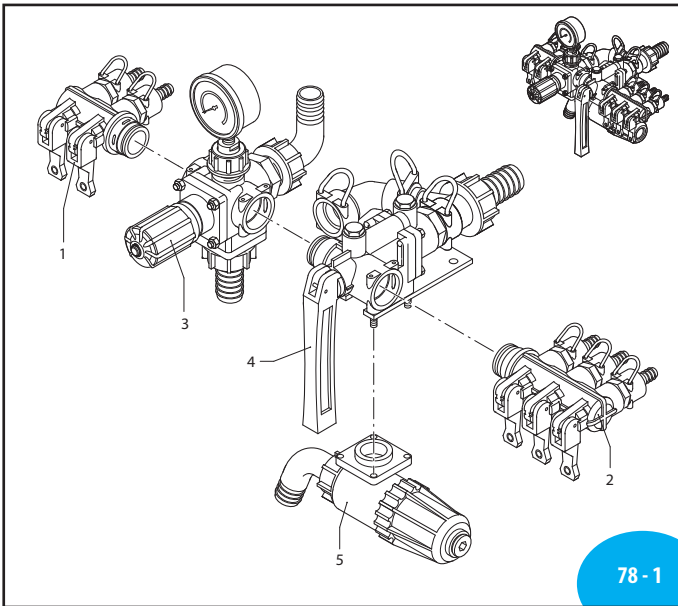


# **Control Units**

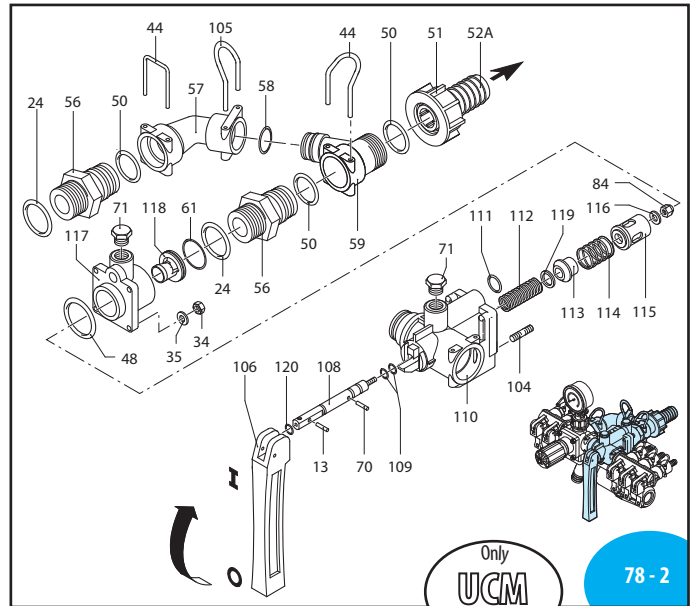
# **Gear Boxes**

# A.R. NORTH AMERICA

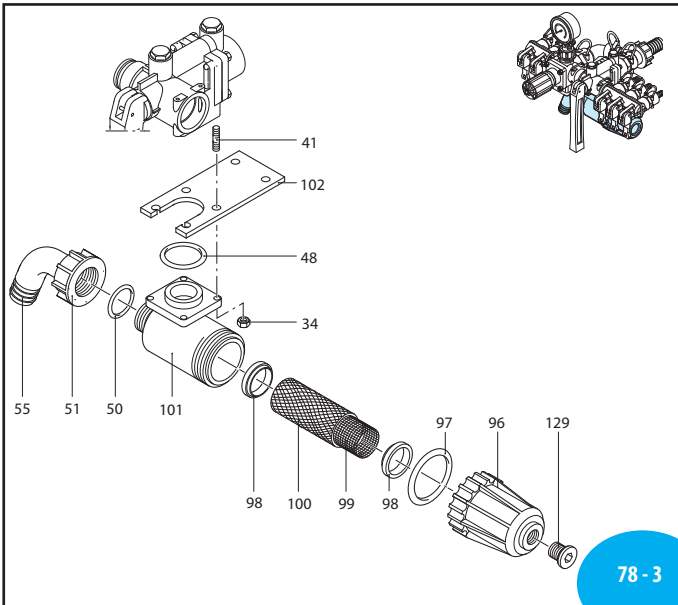
## ECM - UCM



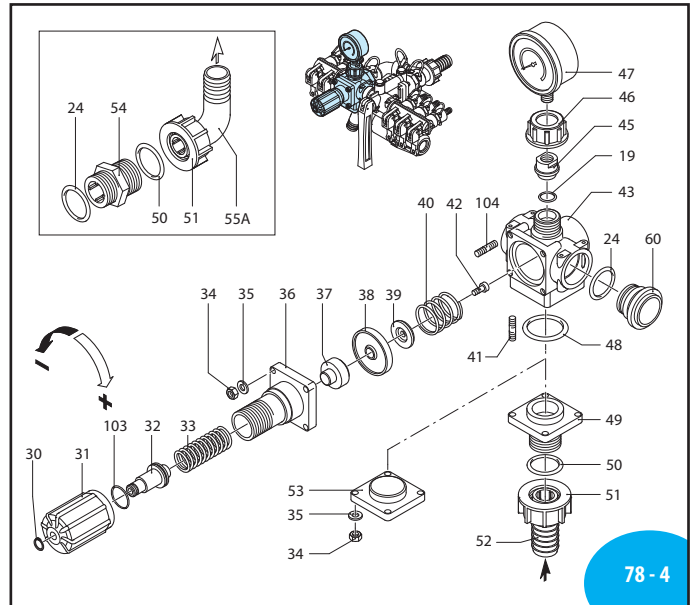
78 - 1



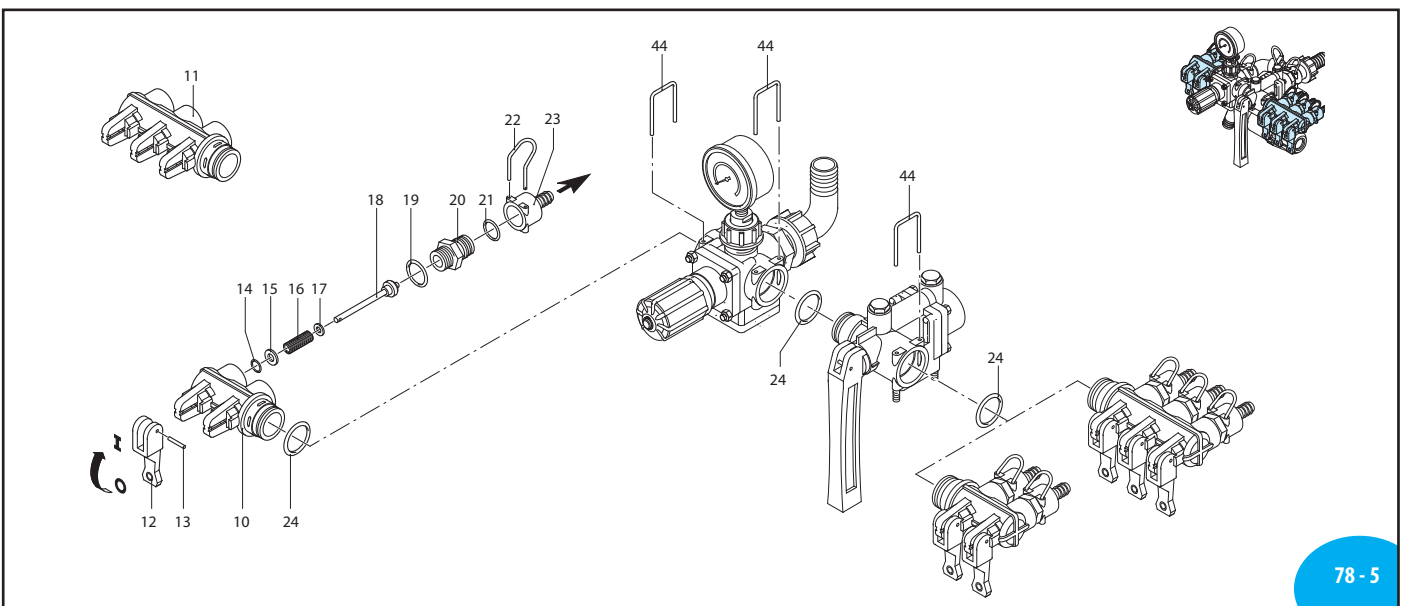
78 - 2



78 - 3



78 - 4



78 - 5

# ECM - UCM

	4 Vie w/filter
ECM	1324
UCM	1344

Pos	Code	Description	Qty	Note
1	1547	Ball valve assembly	1	Outlet ø 12
	1548	Ball valve assembly	1	Outlet ø 12
2	1571	Ball valve assembly	1	Outlet ø 12
	1572	Ball valve assembly	1	Outlet ø 12
3	1348	Valve kit adjustment	1	
	1349	Valve kit adjustment	1	
4	1351	Body distributor	1	
5	1553	Filter kit	1	
10	394850	Body tap	1	
11	394860	Body tap	1	
12	394690	Lever	4	
13	390330	Pin	5	
14	390341	O-ring ø 5x2	4	
15	393790	Washer	4	SS
16	390300	Spring	4	
17	390313	Washer	4	SS
18	390323	Pin	4	
19	180101	O-ring ø 17.5x2	5	
20	392600	Fitting	4	
21	640070	O-ring ø 13.95x2.62	4	
22	392580	Fork	4	
23	392870	Hose barb ø 10	4	
	392590	Hose barb ø 12	4	
24	390291	O-ring ø 28.25x2.62	5	
30	480550	Ring circlip øe 12	1	
31	394790	Knob	1	
32	394770	Hub pin	1	
33	1040830	Spring	1	
34	390440	Nut M6	16	T90*
35	550331	Washer	12	
36	394780	Body upper	1	
37	394751	Piston	1	
38	394741	Diaphragm	1	NBR
	394740	Diaphragm	1	Desmopan
	394742	Diaphragm	1	Viton
39	394720	Valve	1	
40	394730	Spring	1	
41	394830	Stud	8	C6
42	680700	Bolt TCEI M6x20	1	SS
43	394700	Valve body	1	
44	395530	Fork	5	
45	394800	Fitting	1	
46	550450	Ring nut 3/4" G	1	
47	391240	Pressure gauge	1	0-350 PSI
48	660170	O-ring ø 31.42x2.62	3	
49	394810	Flange	1	
50	550350	O-ring ø 23.81x2.62	4	
51	550242	Ring nut 1" G	2	
52	550210	Hose barb ø 25	2	
53	394840	Flange	1	
54	550340	Fitting 1" G M-M	1	
55	550370	Elbow ø 25	1	
56	395000	Fitting	2	
57	395520	Suction fitting	1	
58	390060	O-ring ø 20.63x2.62	1	
59	395020	Suction fitting	1	
60	394870	Plug	1	
61	770260	O-ring ø 23.52x1.78	1	
70	392120	Pin	1	SS
71	880581	Plug 1/4" G	2	T25*
84	395390	Nut M6	1	SS T90*
96	396100	Cover	1	
97	395081	O-ring ø 47.30x2.62	1	Viton
98	395071	Gasket	2	
99	396110	Filter	1	
100	396130	External grid	1	
101	395030	Filter housing	1	
102	394820	Bracket	1	
103	770130	O-ring ø 20.35x1.78	1	
104	392330	Stud	8	T90*
105	850730	Fork	1	

Pos	Code	Description	Qty	Note
106	1660560	Lever	1	
108	1660020	Pin	1	
109	480561	O-ring ø 6.75x1.78	2	Viton
110	1660010	Valve body	1	
111	1660230	O-ring ø 13x2	1	
112	1660541	Spring	1	
113	1660050	Valve	1	
114	1660090	Spring	1	
115	1660080	Guide	1	
116	393790	Washer	1	SS
117	1660060	Flange	1	
118	1660100	Seat	1	See ●
	1660110	Seat	1	See ▲
	1660120	Seat	1	See ■
119	1660140	Washer	1	
120	1660551	O-ring ø 7x2	1	Viton
129	396590	Plug 3/8" G	1	

Note: The quantities refer to the 4 valves version

- For: AR 60 bp, AR 70 bp, AR 80bp, AR120/140bp
- ▲ For: AR 100 bp, AR 120 bp, AR 115, 135 bp, AR 125, 145 bp
- For: AR 150 bp, AR 160 bp

\* Torque: in-lbs +/- 10%

AR 2346 O-Rings	
Pos.	Qty
14	5
19	7
21	5
24	5
48	3
50	4
58	1
61	1
97	1
103	1
109	2
111	1
120	1

AR 2339 Maintenance repair	
Pos.	Qty
12	2
14	5
18	2
24	5
38	1
39	1
44	1
51	1
55	1
58	1
60	1
61	1
98	2
106	1
109	2
113	1
115	1
120	1

Control units





# IDROMINUS

	5 Vie w/filter
IDROMINUS	1358

Pos	Code	Description	Qty	Note
1	395430	Knob	4	
2	395590	O-ring Ø 8x2.5	4	
3	395420	Fitting	4	
5	395410	Fork	4	
10	395400	Body tap	2	
11	395470	Valve closure	4	
12	394690	Lever	4	
13	390330	Pin	5	
14	390341	O-ring Ø 5x2	4	
15	393790	Washer	4	SS
16	395480	Spring	4	
17	390313	Washer	8	SS
18	395450	Pin	4	
19	180101	O-ring Ø 17.5x2	5	
20	392600	Fitting	4	
21	640070	O-ring Ø 13.95x2.62	8	
22	392580	Fork	4	
23	392870	Hose barb Ø 10	4	
24	392590	Hose barb Ø 12	4	
25	392620	Hose barb Ø 19	4	
26	390291	O-ring Ø 28.25x2.62	7	
27	395490	Washer	4	SS
28	1080190	O-ring Ø 2.90x1.78	4	
29	393300	Pin	4	SS
30	395560	Spacer	1	
31	394790	Knob	1	
32	391560	Nut M6	1	SS
33	390440	Nut M6	16	
34	550331	Washer	12	
35	394780	Body upper	1	
36	395570	Ring	1	
37	395541	Pin	1	
38	395551	Valve	1	
39	395460	Spring	4	
40	394830	Stud	8	
41	392330	Stud	8	
42	394700	Valve body	1	
43	395530	Fork	7	
44	394800	Fitting	1	
45	550450	Ring nut 3/4" G	1	
46	391240	Pressure gauge	1	0-350 PSI
47	660170	O-ring Ø 31.42x2.62	3	
48	394810	Flange	1	
49	550350	O-ring Ø 23.81x2.62	5	
50	550242	Ring nut 1" G	3	
51	550210	Hose barb Ø 25	3	
52	394840	Flange	1	
53	550340	Fitting 1" G M-M	1	
54	550370	Elbow Ø 25	1	
55	395000	Fitting	1	
56	395520	Suction fitting	1	
57	390060	O-ring Ø 20.63x2.62	3	
58	395020	Suction fitting	1	
59	395440	Plug	2	
60	770260	O-ring Ø 23.52x1.78	1	
61	395500	Suction fitting	2	
62	395510	Suction fitting	1	
63	395580	Fork	2	
64	392120	Pin	2	SS
65	880581	Plug 1/4" G	2	T90*
66	390080	O-ring Ø 11.91x2.62	4	
67	392551	Washer	1	SS
68	395390	Nut M6	1	SS
69	880830	O-ring Ø 15.54x2.62	1	
70	480480	O-ring Ø 4.48x1.78	1	
71	1660580	O-ring Ø 42x2	1	
72	395760	Suction fitting	2	
73	395770	Body tap	2	
74	396100	Cover	1	
75	395081	O-ring Ø 47.30x2.62	1	Viton
76	395071	Gasket	2	

Pos	Code	Description	Qty	Note
99	396110	Filter	1	
100	396130	External grid	1	
101	395030	Filter housing	1	
102	394820	Bracket	1	
103	850730	Fork	1	
104	1452	Ball valve assembly	2	Outlet ø 12
105	1450	Valve kit adjustment	1	
106	1351	Body distributor	1	
107	1553	Filter kit	1	
108	1451	Ball valve assembly	2	Outlet ø 12
109	1660560	Lever	1	
110	1660140	Washer	1	
111	1660020	Pin	1	
112	480561	O-ring Ø 6.75x1.78	2	Viton
113	1660010	Valve body	1	
114	1660230	O-ring Ø 13x2	1	
115	1660541	Spring	1	
116	1660050	Valve	1	
117	1660090	Spring	1	
118	1660080	Guide	1	
119	393790	Washer	1	SS
120	1660060	Flange	1	
121	1660100	Seat	1	See ●
122	1660110	Seat	1	See ▲
123	1660120	Seat	1	See ■
124	1660551	O-ring Ø 7x2	1	Viton
125	396590	Plug 3/8" G	1	T90*

Note: The quantities refer to the 4 valves version

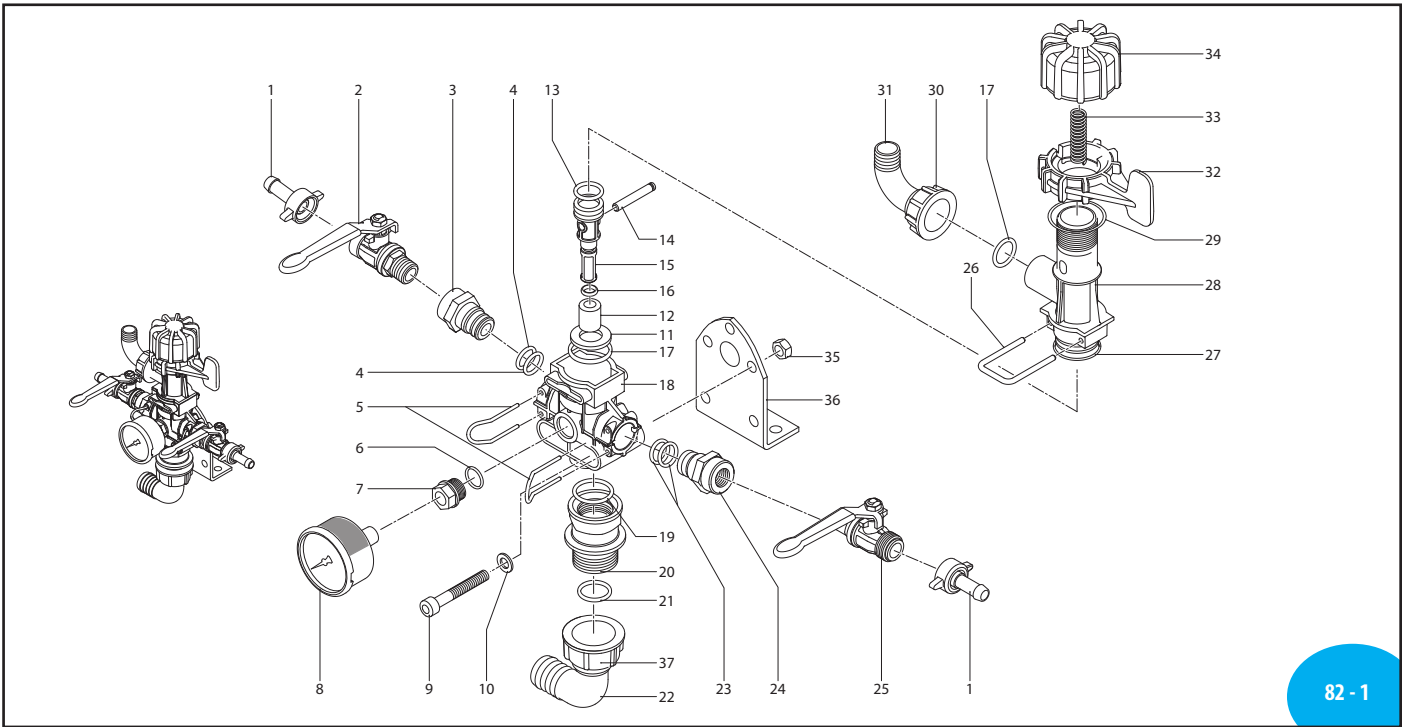
- For: AR 60 bp, 70 bp-AR 80bp-AR 120/140bp
- ▲ For: AR 100 bp, AR 120 bp, AR 115, 135 bp, AR 125-145 bp
- For: AR 150 bp, AR 160 bp

\* Torque: in-lbs +/- 10%

AR 2334 O-Rings	
Pos.	Qty
2	4
14	4
19	5
21	8
24	7
26	4
48	3
50	5
58	3
61	1
73	4
87	1
88	1
89	1
97	1
118	2
120	1
128	1

AR 2335 Maintenance repair	
Pos.	Qty
2	4
11	2
12	2
14	4
18	4
22	2
24	7
39	1
51	1
55	1
58	3
60	1
61	1
73	4
87	1
87	1
98	2
115	1
118	2
122	1
124	1
128	1

Control units



82 - 1

Control units

Pos	Code	Description	Qty	Note
1	110131	Ring nut / HB 1/2" x 3/8"	2	
	110130	Ring nut / HB 1/2" x 1/2"	2	Optional
2	130492	Ball valve 3/8" G - 1/2" G M-M SX	1	
3	3120421	Fitting 3/8" G F	1	
4	640070	O-ring Ø 13.95x2.62	2	
	640071	O-ring Ø 13.95x2.62	2	Viton
5	392580	Fork	2	
6	2840890	O-ring Ø 14x2	1	
	2840891	O-ring Ø 14x2	1	Viton
	1880250	Fitting	1	
8	3240470	Pressure gauge Ø 63	1	0-350 PSI
9	800860	Bolt TCEI M8x55	2	
10	380241	Washer	2	
11	3120311	Plug	1	
12	3120301	Piston lower	1	
13	480440	O-ring Ø 17.13x2.62	1	
	480441	O-ring Ø 17.13x2.62	1	Viton
14	1880240	Pin	1	
15	3120290	Piston upper	1	
16	1123660	O-ring Ø 7.59x2.62	1	
	1123661	O-ring Ø 7.59x2.62	1	Viton
17	880830	O-ring Ø 15.54x2.62	2	
	880831	O-ring Ø 15.54x2.62	2	Viton
18	3120390	Body regulator	1	
19	200540	O-ring Ø 20.22x3.53	1	
	200541	O-ring Ø 20.22x3.53	1	Viton
20	3120660	Threaded adapter 1" G - 3/4" G	1	
21	1140450	O-ring Ø 20.24x2.62	1	
	1140451	O-ring Ø 20.24x2.62	1	Viton
22	3120460	Elbow Ø 25	1	
23	640070	O-ring Ø 13.95x2.62	2	
	640071	O-ring Ø 13.95x2.62	2	Viton
24	3120421	Fitting 3/8" G F	1	
25	130491	Ball valve 3/8" G - 1/2" G M-M DX	1	
26	3120320	Fork	1	
27	880310	O-ring Ø 26.65x2.62	1	90Sh
	880311	O-ring Ø 26.65x2.62	1	90Sh Viton
28	3120280	Body regulator	1	
29	961240	O-ring Ø 31.47x1.78	1	
30	550450	Ring nut 3/4" G	1	

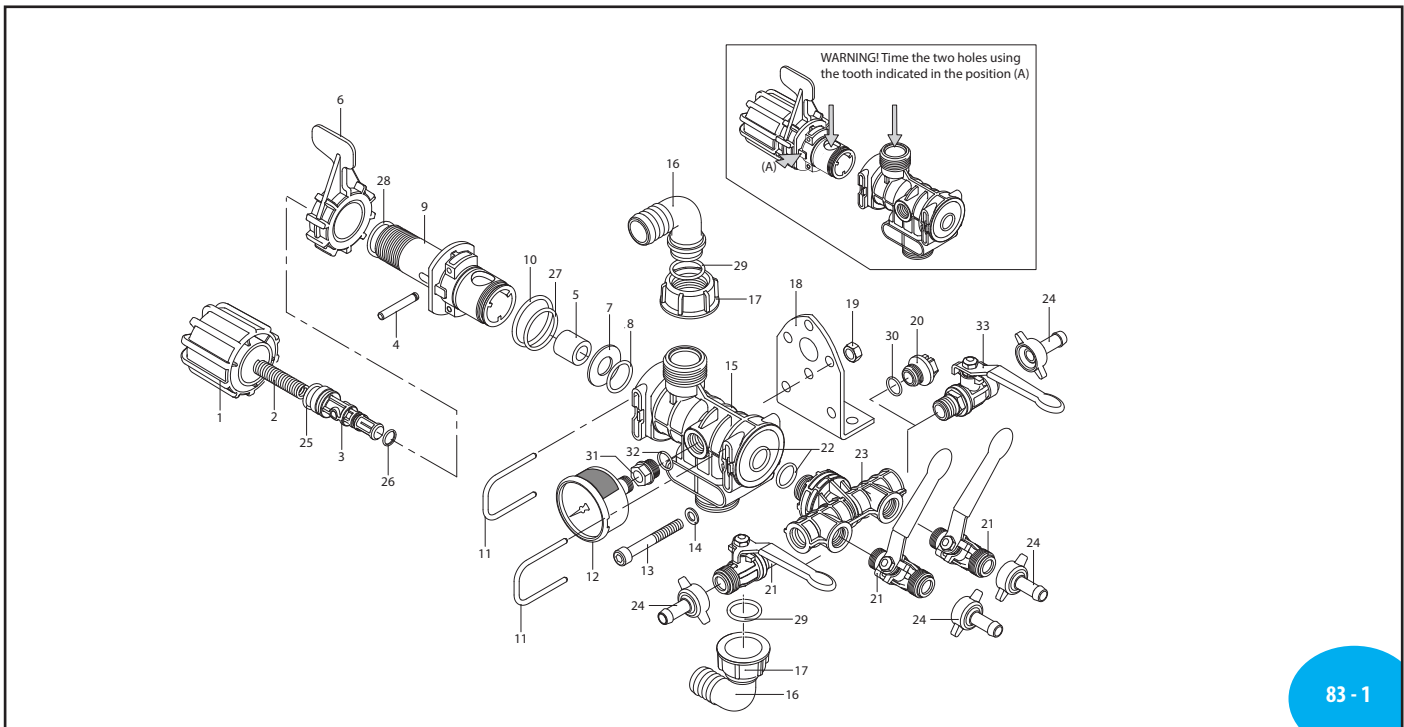
Pos	Code	Description	Qty	Note
31	550460	Elbow Ø 18	1	
32	1880210	Ring nut	1	
33	3120370	Spring	1	
34	1880220	Knob	1	
35	390270	Nut M8	2	T90*
36	320406	Bracket	1	
37	3120440	Ring nut 1" G	1	

\* Torque: in-lbs +/- 10%

AR 43821 Viton Direct mount control replacement	
Pos.	Qty
11	1
13	1
14	1
15	1
16	1
17	2
26	1
27	1
28	1
29	1
30	1
31	1
32	1
33	1
34	1

# A.R. NORTH AMERICA GS35 S

GS35S	915
GS35SV	916



83 - 1

Pos	Code	Description	Qty	Note
1	3240440	Knob	1	
2	3240410	Spring	1	
3	3240380	Piston upper	1	
4	1880240	Pin	1	
5	3240390	Piston lower	1	
6	1880210	Ring nut	1	
7	3240420	Plug	1	
8	720030	O-ring Ø 22.22x2.62	1	
	720031	O-ring Ø 22.22x2.62	1	Viton
9	3240360	Body regulator	1	
10	660170	O-ring Ø 31.42x2.62	1	
	660171	O-ring Ø 31.42x2.62	1	Viton
11	3460210	Fork	2	
12	3240470	Pressure gauge	1	0-350 PSI
13	280080	Bolt TCEI M8x60	2	
14	380241	Washer	2	
15	3240430	Body	1	
16	3120460	Elbow Ø 25	2	
17	3120440	Ring nut 1" G	2	
18	320406	Bracket	1	
19	390270	Nut M8	2	T90*
20	3120690	Plug	1	
21	1880492	Ball valve 3/8" G - 1/2" G M-M SX	3	
22	480440	O-ring Ø 17.13x2.62	2	
	480441	O-ring Ø 17.13x2.62	2	Viton
23	3240450	Body regulator	1	
24	110131	Ring nut / HB 1/2" x 3/8"	4	
	110130	Ring nut / HB 1/2" x 1/2"	4	Optional
25	480440	O-ring Ø 17.13x2.62	1	
	480441	O-ring Ø 17.13x2.62	1	Viton
26	391000	O-ring Ø 9.13x2.62	1	
	391001	O-ring Ø 9.13x2.62	1	Viton
27	1520650	O-ring Ø 29.82x2.62	1	
	394211	O-ring Ø 29.82x2.62	1	
28	961240	O-ring Ø 31.47x1.78	1	
29	1140450	O-ring Ø 20.24x2.62	2	
	1140451	O-ring Ø 20.24x2.62	2	Viton

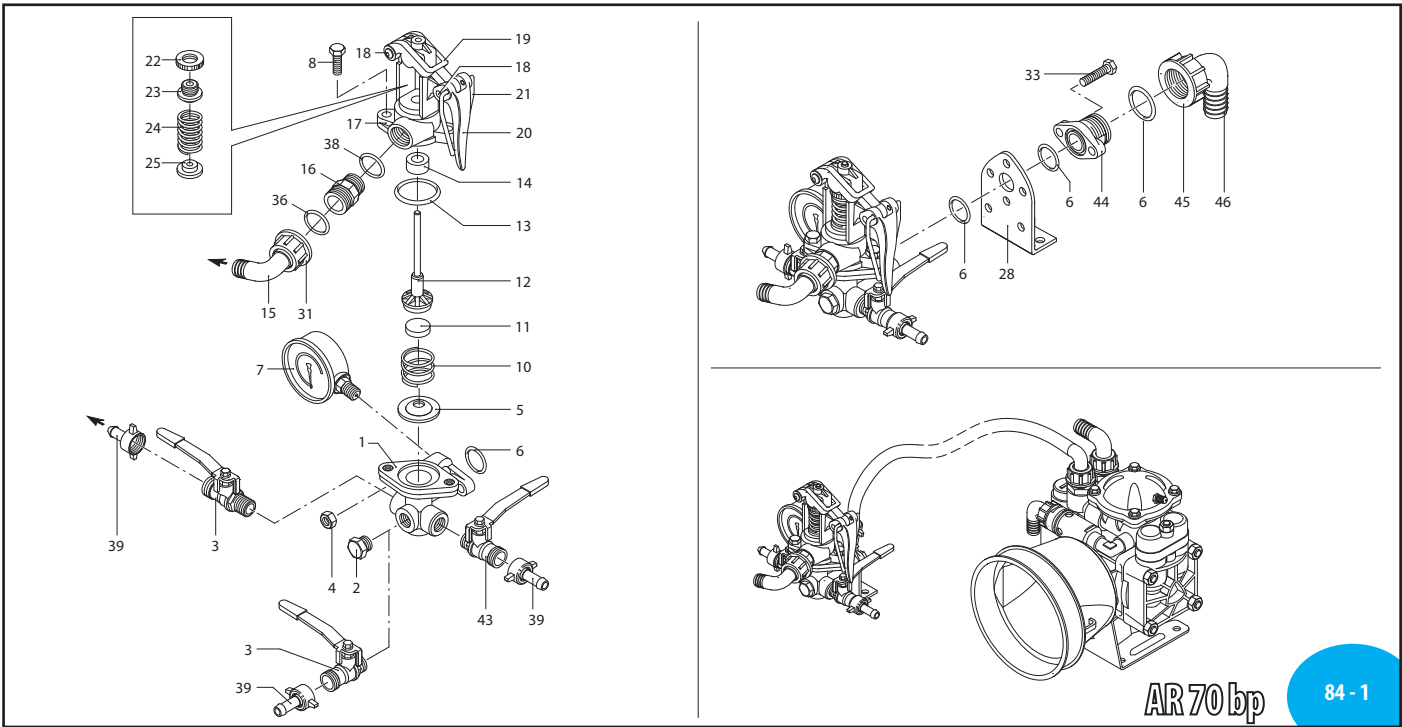
Pos	Code	Description	Qty	Note
30	2840890	O-ring Ø 14x2	1	
	2840891	O-ring Ø 14x2	1	Viton
31	1880250	Fitting	1	
32	2840890	O-ring Ø 14x2	1	
	2840891	O-ring Ø 14x2	1	Viton
33	1880491	Ball valve 3/8" G - 1/2" G M-M DX	1	
34	3249006	Direct mount assembly complete	1	Not shown

(A) Holes datum rib  
\* Torque: in-lbs +/- 10%

AR 42833 O-Rings	
Pos.	Qty
8	1
10	1
22	2
25	1
26	1
27	1
28	1
29	2
30	1

AR 42834 Maintenance repair	
Pos.	Qty
4	1
5	1
7	1
8	1
10	1
11	2
16	2
17	2
22	2
25	1
26	1
27	1
28	1
29	2
30	1

Control units



AR 70 bp

84 - 1

Control units

Pos	Code	Description	Qty	Note
1	620220	Control unit	1	
2	130171	Plug 3/8" G	1	T180*
3	130491	Ball valve 3/8" G - 1/2" G M-M DX	2	
4	390270	Nut M8	2	T180*
5	450110	Seat	1	
6	550350	O-ring Ø 23.81X2.62	3	
7	391240	Pressure gauge	1	0-350 PSI
8	180370	Bolt TE M8x25	2	T180*
10	320420	Spring	1	
11	110121	Plug	1	Desmopan
	110120	Plug	1	Buna
	110122	Plug	1	Viton
12	320433	Stem	1	
13	320511	O-ring Ø 37.8x4	1	
	390140	Gasket	1	Buna
14	390141	Gasket	1	Viton
	550460	Elbow Ø 18	1	
16	550440	Fitting 1/2" G - 3/4 G M-M	1	
17	320410	Body valve	1	
18	320480	Hub pin	2	
19	320460	Fork	1	
20	320470	Lever	1	
21	320490	Support	1	
22	320450	Adjustment screw	1	
23	320440	Ring nut	1	
24	550840	Spring	1	
25	230120	Spring retainer	1	
28	320406	Bracket	1	
31	550450	Ring nut 3/4" G	1	
33	160660	Bolt TE M8x35	2	T90*
36	880830	O-ring Ø 15.54x2.62	1	
38	180101	O-ring Ø 17.5x2	1	
39	110131	Ring nut / HB 1/2" x 3/8"	3	
	110130	Ring nut / HB 1/2" x 1/2"	3	Optional
43	130492	Ball valve 3/8" G - 1/2" G M-M SX	1	
44	550390	Flange	1	
45	550242	Ring nut 1" G	1	
46	550380	Elbow Ø 19	1	

\* Torque: in-lbs +/- 10%

**AR 1922**  
Desmopan valve seats

**AR 1921**  
Buna valve seats

Pos.	Qty
11	1
5	1

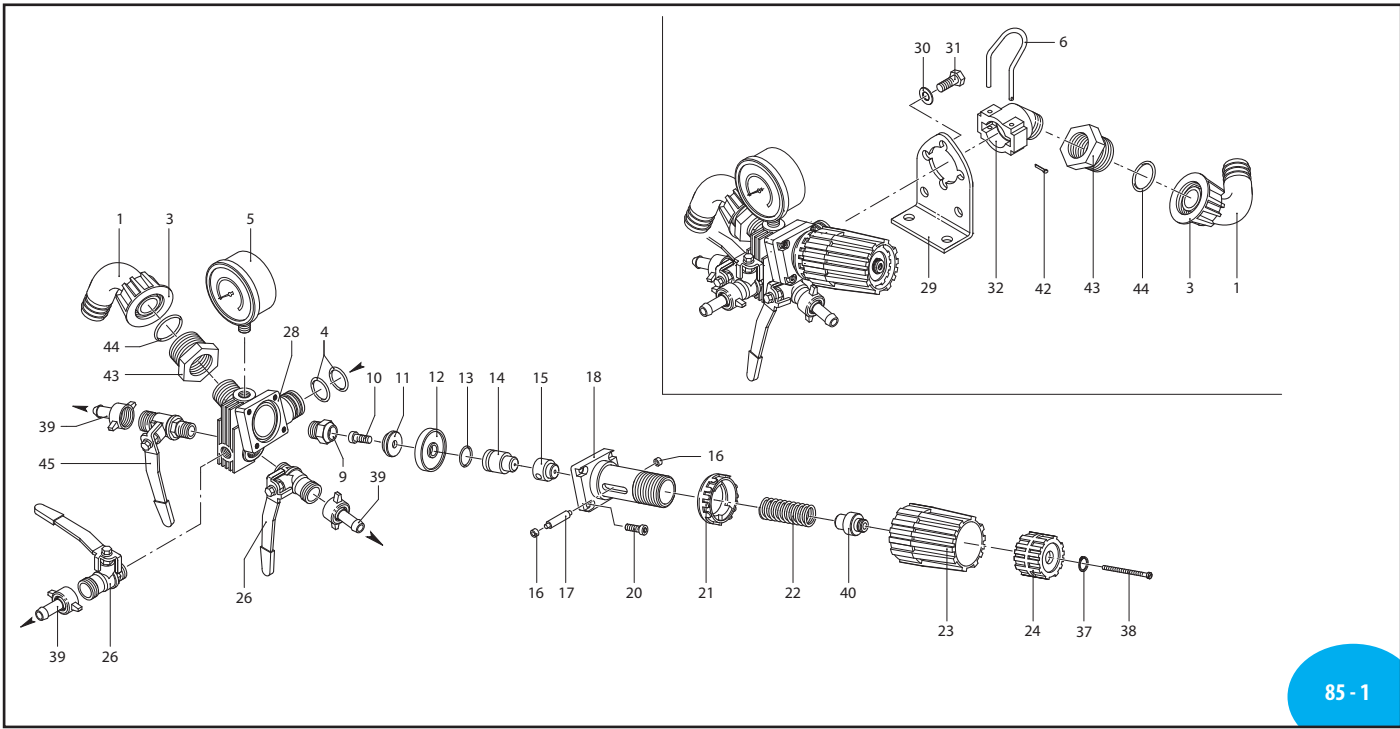
**AR 1925**  
Maintenance repair

Pos.	Qty
5	1
10	1
11	1
12	1
13	1
14	1



# A.R. NORTH AMERICA RM 20 S

RM20S 927



Pos	Code	Description	Qty	Note
1	550370	Elbow	2	Ø 25
3	550242	Ring nut	2	1" G
4	390180	O-ring	2	Ø 18.72x2.62
5	391240	Pressure gauge	1	0-350 PSI
6	1040690	Fork	1	
9	1150520	Seat	1	
10	680560	Bolt	1	TCEI M6x16 SS T90*
11	1040640	Valve	1	SS
12	1040630	Diaphragm	1	Desmopan
	1040631	Diaphragm	1	NBR
13	880830	O-ring	1	Ø 15.54x2.62
14	1040621	Piston	1	
15	1150560	Spacer	1	
16	1150600	Ring	2	
17	1150540	Hub pin	1	
18	1150510	Body	1	upper
20	780330	Bolt	4	TCEI M6x20 T90*
21	1150530	Ring nut	1	
22	1150680	Spring	1	
23	1150550	Knob	1	
24	1150570	Ring nut	1	
26	130491	Ball valve	2	3/8" G - 1/2" G M-M DX
28	1150500	Valve body	1	
29	1150590	Bracket	1	
30	390311	Washer	2	
31	180431	Bolt	2	TE M8x16 T180*
32	1040770	Fitting	1	
37	480550	Ring	1	circlip øe 12
38	1150650	Bolt	1	TCTC M3x60 T45*
39	110131	Ring nut / HB	3	1/2" x 3/8"
	110130	Ring nut / HB	3	1/2" x 1/2" Optional
40	1150660	Spacer	1	
42	1040950	Split pin	1	
43	800720	Fitting	2	3/4" G - 1" G F-M
44	550350	O-ring	2	Ø 23.81X2.62
45	130492	Ball valve	1	3/8" G - 1/2" G M-M SX T180*

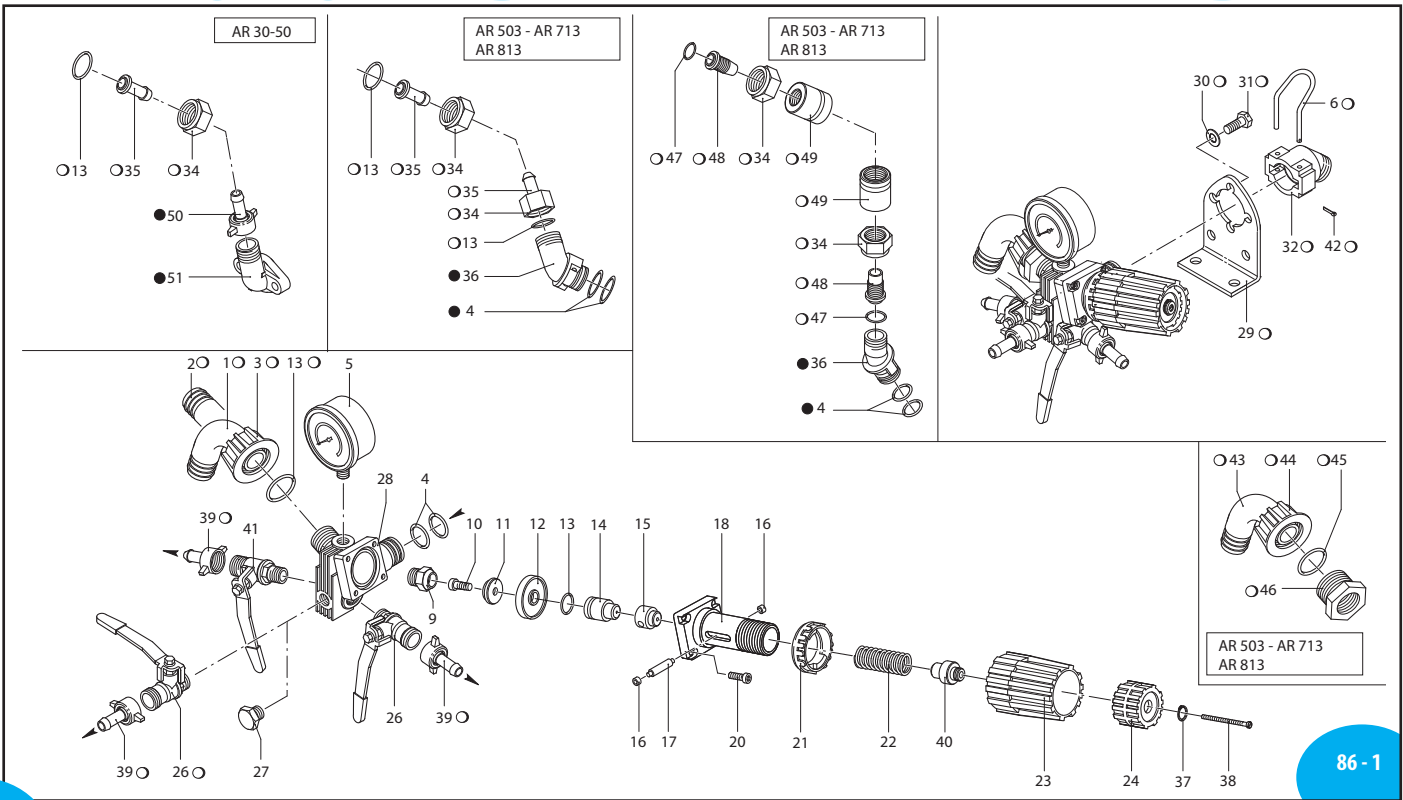
\* Torque: in-lbs +/- 10%

AR 2382 O-Rings	
Pos.	Qty
4	2
13	1
44	2

AR 2383 Maintenance repair	
Pos.	Qty
4	2
6	1
9	1
11	1
12	1
13	1
15	1
17	1
21	1
22	1
23	1
24	1
37	1
38	1
40	1
42	1
44	2

Control units

# A.R. NORTH AMERICA RM 40



86 - 1

Control units

Pos	Cod.	Description	Q.ty	Note
1	550460	Elbow Ø 18	1	o
2	800343	Hose barb Ø 20	1	Optional o
	800342	Hose barb Ø 16	1	Optional o
3	550450	Ring nut 3/4" G	1	o
4	390180	O-ring Ø 18,72x2,62	4	●
5	550545	Pressure gauge	1	0-1160 psi
	1151010	Pressure gauge	1	0-725-1160 psi
6	1040690	Fork	1	o
9	1150520	Seat	1	
10	680560	Bolt TCEI M6x16	1	SS T88*
11	1040640	Valve	1	SS
12	1040630	Diaphragm	1	Desmopan
	1040631	Diaphragm	1	NBR
13	880830	O-ring Ø 15,54x2,62	4	o
14	1040621	Piston	1	
15	1150560	Spacer	1	
16	1150600	Ring	2	
17	1150540	Hub pin	1	
18	1150510	Body superiore	1	
20	780330	Bolt TCEI M6x20	4	T88*
21	1150530	Ring nut	1	
22	394760	Spring	1	
23	1150550	Knob	1	
24	1150570	Ring nut	1	
26	130491	Ball valve 3/8" G - 1/2" G M-M DX	2	o
27	130171	Plug 3/8" G	1	
28	1150500	Valve body	1	
29	1150590	Bracket	1	o
30	390311	Washer	2	o
31	180431	Bolt TE M8x16	2	T177* o
32	1040770	Fitting	1	o
34	1040790	Ring nut 3/4" G	2	o
35	1150580	Hose barb Ø 13	2	o
36	1040760	Fitting 3/4" G M	1	●
37	480550	Ring seeger Øe 12	1	
38	1150650	Bolt TCTC M3x60	1	T44*
39	110131	Ring nut / HB 1/2" x 3/8"	3	o
	110130	Ring nut / HB 1/2" x 1/2"	3	Optional o
40	1150660	Spacer	1	
41	130492	Ball valve 3/8" G - 1/2" G M-M SX	1	
42	1040950	Split pin	1	o

Pos	Cod.	Description	Q.ty	Note
43	550370	Elbow Ø 25	1	o
44	550242	Ring nut 1" G	1	o
45	550350	O-ring Ø 23,81X2,62	1	o
46	800720	Fitting 3/4" G - 1" G F-M	1	o
47	960160	O-ring Ø 17,86x2,62	2	o
48	1040810	Hose barb	2	o
49	1040800	Ring nut	2	o
50	110130	Ring nut 1/2"	1	●
51	450145	Flange	1	●

o Not part of RM 40  
● Part of pump

\* Torque: in-lbs +/- 10%

KIT 1988 O-Rings	
Pos.	Q.ty
4	2
13	4

KIT 43969 Repair Kit	
Pos.	Q.ty
4	4
9	1
11	1
12	1
13	4

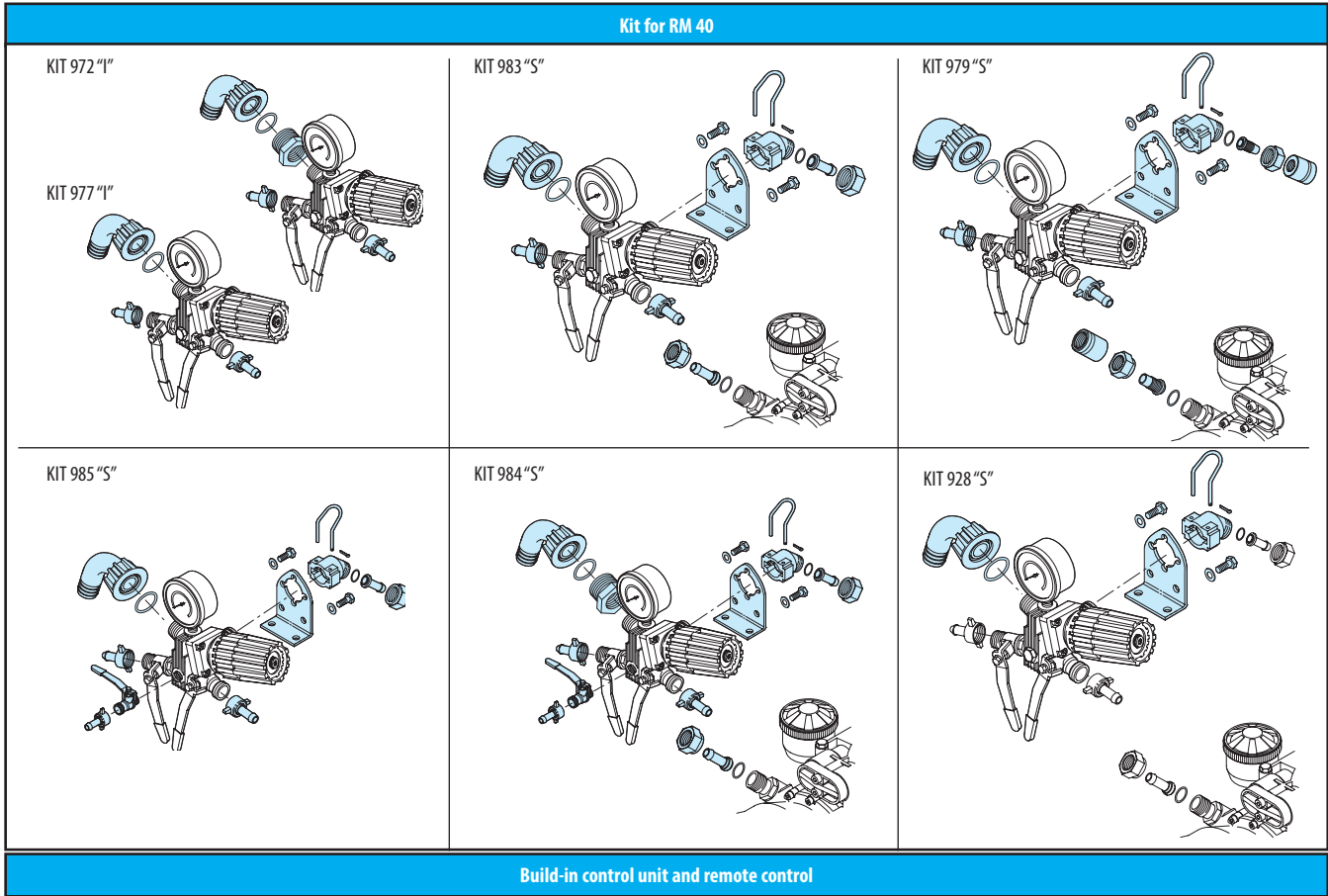
KIT 1989 Maintenance repair	
Pos.	Q.ty
4	2
6	1
9	1
11	1
12	1
13	4
15	1
17	1
21	1
22	1
23	1
24	1
37	1
38	1
40	1
42	1

# RM 40

RM40

920

## Kit for RM 40



Build-in control unit and remote control

Control units

KIT 972 "I" Build in control	
Pos.	Q.ty
39	3
43	1
44	1
45	1
46	1

For AR 713 & AR 813

KIT 977 "I" Build in control	
Pos.	Q.ty
1	1
3	1
13	4
39	3

For AR 503

KIT 983 "S" Remote control	
Pos.	Q.ty
1	1
3	1
6	1
13	2
29	1
30	2
31	2
32	1
34	2
35	2
39	3
42	1

For AR 503

KIT 979 "S" Remote control	
Pos.	Q.ty
1	1
3	1
6	1
13	1
29	1
30	2
31	2
32	1
34	2
39	2
42	1
47	2
48	2
49	2

For AR 503, AR 713, AR 813

KIT 985 "S" Remote control	
Pos.	Q.ty
1	1
3	1
6	1
13	2
26	1
29	1
30	2
31	2
32	1
34	1
35	1
39	3
42	1
47	2

For AR 30 & AR 50

KIT 984 "S" Remote control	
Pos.	Q.ty
6	1
13	2
26	2
29	1
30	2
31	2
32	1
34	2
35	2
39	3
42	1
43	1
44	1
45	1
46	1

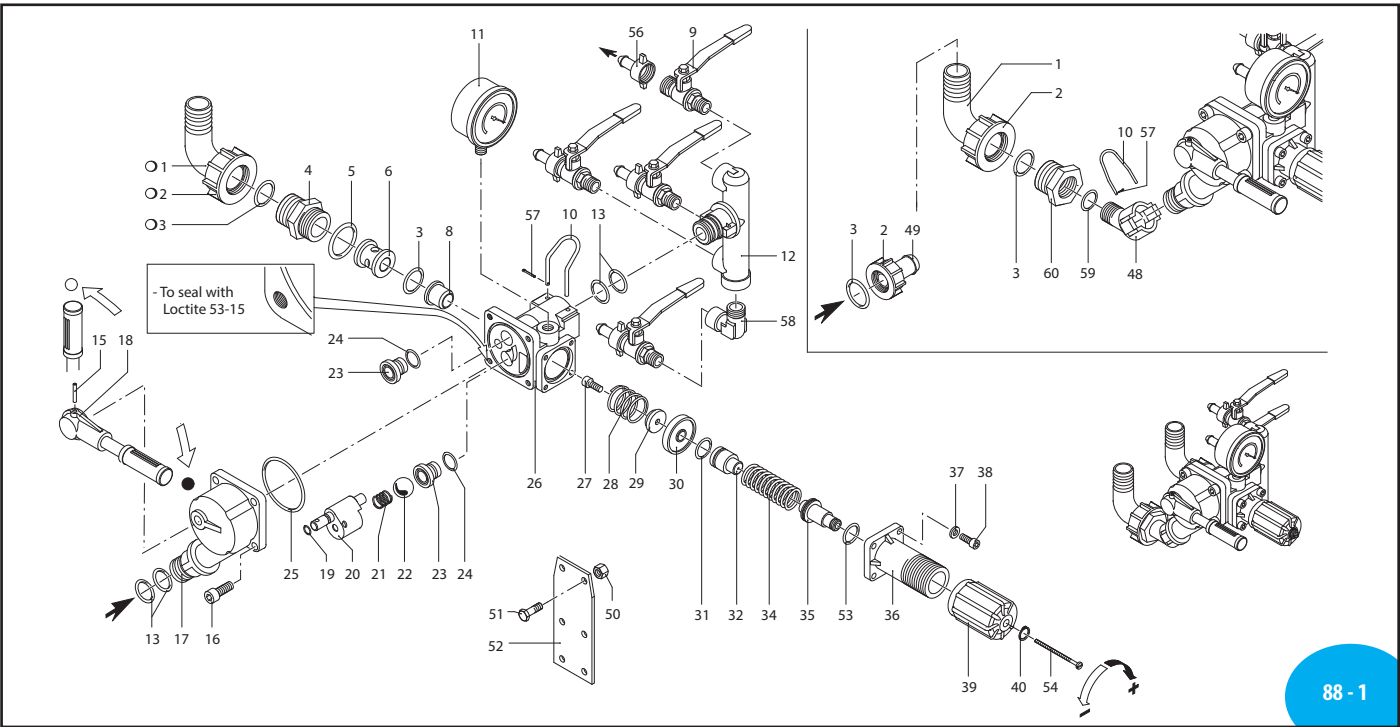
For AR 503, AR 713, AR 813

KIT 928 "S" Remote control	
Pos.	Q.ty
1	1
3	1
6	1
13	1
29	1
30	2
31	2
32	1
42	1

For AR 503

# A.R. NORTH AMERICA VDR 20 S

VDR20S 954



Control units

Pos	Code	Description	Qty	Note
1	550370	Elbow	3	o
2	550242	Ring nut	3	o
3	550350	O-ring	4	o
4	1040780	Fitting	1	
5	550040	O-ring	1	
6	1040670	Spacer	1	
8	1040660	Seat	1	SS
9	130491	Ball valve	4	T180*
10	1040690	Fork	2	
11	391240	Pressure gauge	1	
12	1040680	Body	1	
13	390180	O-ring	4	
15	1040820	Pin	1	
16	180030	Bolt	4	T180* (1)
17	1040720	Body distributor	1	
18	1040730	Knob	1	
19	1080200	O-ring	1	
20	1040700	Hub pin	1	
21	850680	Spring	1	
22	850660	Ball	1	SS
23	850650	Seat	2	
24	740290	O-ring	2	
25	1040710	O-ring	1	
26	1040600	Body	1	
27	680560	Bolt	1	SST90*
28	1040650	Spring	1	
29	1040640	Valve	1	SS
30	1040630	Diaphragm	1	Desmopan
30	1040631	Diaphragm	1	NBR
31	880833	O-ring	1	
32	1040622	Piston	1	
34	1041170	Spring	1	
35	394770	Hub pin	1	
36	1040610	Body	1	spring guide
37	550331	Washer	4	
38	1040370	Bolt	4	TCEI M6x22
39	394790	Knob	1	T90*
40	480550	Ring	1	circlip øe 12
48	1040770	Fitting	1	
49	550210	Hose barb	1	
50	390270	Nut	2	T180*

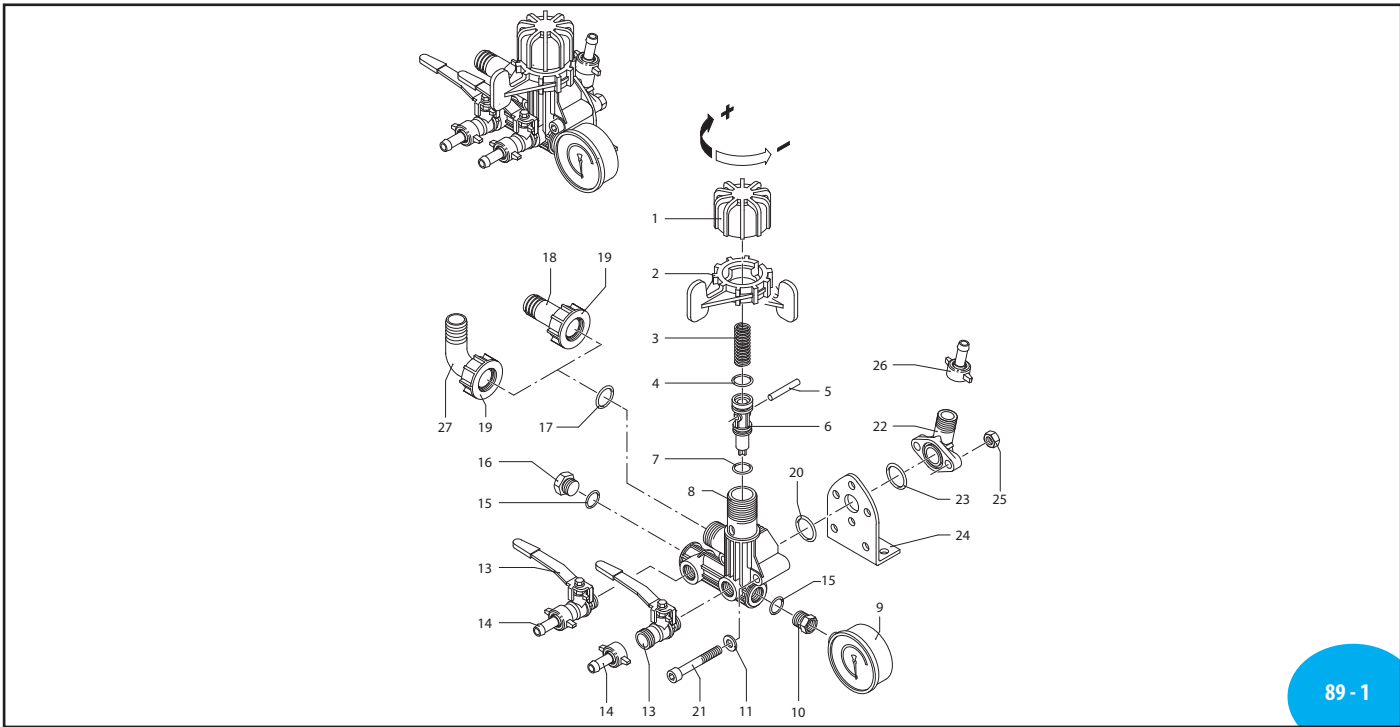
Pos	Code	Description	Qty	Note
51	180370	Bolt	2	TE M8x25
52	850690	Bracket	1	
53	770130	O-ring	1	Ø 20.35x1.78
54	1150650	Bolt	1	TCTC M3x60
55	110131	Ring nut / Hb	4	1/2" x 3/8"
55	110130	Ring nut / HB	4	1/2" x 1/2"
57	1040950	Split pin	2	
58	900210	Fitting	1	3/8" G M-F
59	550040	O-ring	1	Ø 26.62x2.62
60	800720	Fitting	1	3/4" G - 1" G F-M

o Bypass Mode  
● Pressure Mode

\* Torque: in-lbs +/- 10%

AR 2384 O-Rings	
Pos.	Qty
3	3
5	1
13	4
19	1
24	2
25	1
31	1
53	1
59	1

AR 2385 Maintenance repair	
Pos.	Qty
3	3
5	1
10	2
13	4
15	1
19	1
21	1
22	1
23	2
24	2
25	1
28	1
29	1
30	1
31	1
39	1
53	1
57	2



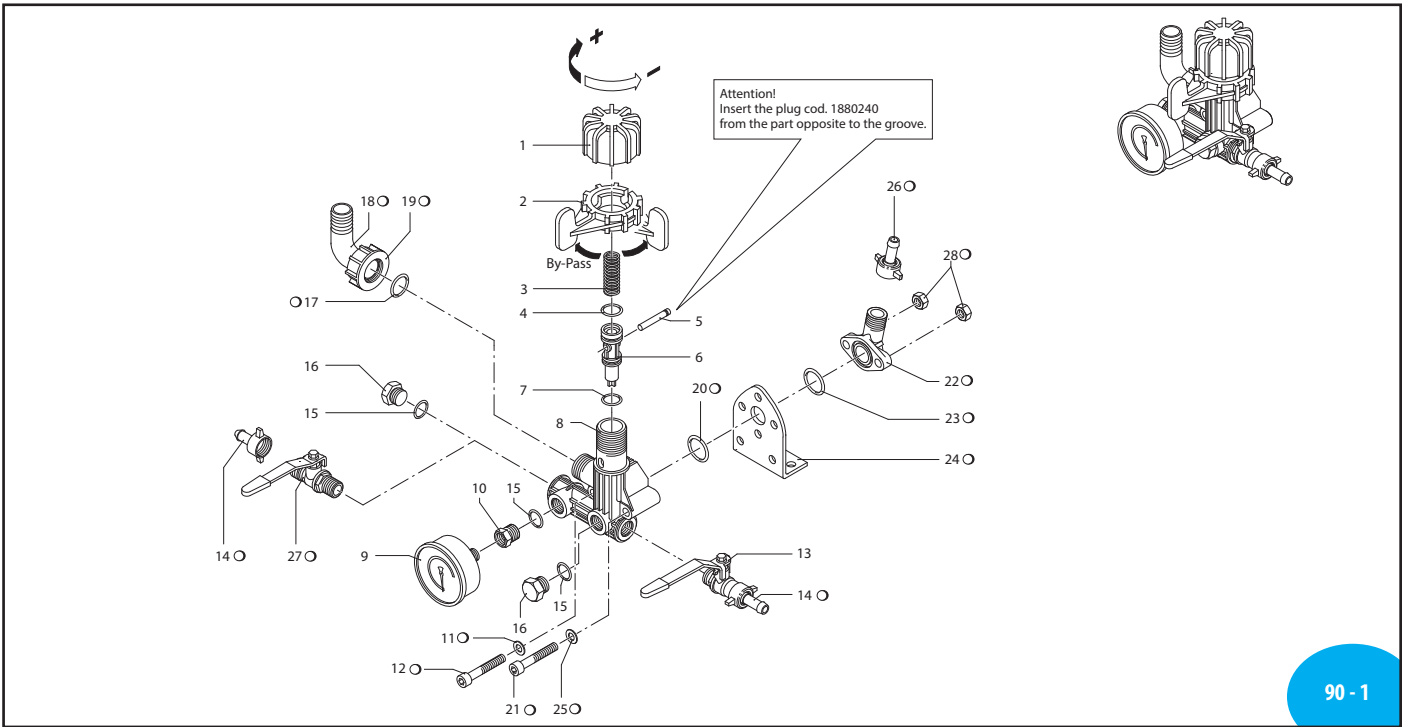
89 - 1

Control units

Pos	Code	Description	Qty	Note
1	1880220	Knob	1	
2	1880210	Ring nut	1	
3	1880331	Spring	1	
4	480441	O-ring	1	Viton
5	1880240	Pin	1	
6	1889201	Valve spool	1	
7	1880260	O-ring	1	Ø 15.08x2.62
8	1880200	Valve body	1	
9	391240	Pressure gauge	1	
10	1880250	Fitting	1	T90*
11	390311	Washer	2	
13	1880491	Ball valve	2	3/8" G - 1/2" G M-M DX red lever
14	110131	Ring nut / HB	2	1/2" x 3/8"
	110130	Ring nut / HB	2	1/2" x 1/2" Optional
15	740290	O-ring	2	Ø 14x1.78
16	2841240	Plug	1	3/8" G plastic T90*
17	880830	O-ring	1	Ø 15.54x2.62
18	800342	Hose barb	1	Ø 16 Optional
19	550450	Ring nut	1	3/4" G
20	1140450	O-ring	1	Ø 20.24x2.62
21	1880310	Bolt	2	TCEI M8x65 T90*
22	450145	Flange	1	
23	550350	O-ring	1	Ø 23.81X2.62
24	320406	Bracket	1	
25	390270	Nut	2	M8 T90*
26	110130	Ring nut	1	1/2"
27	550460	Elbow	1	Ø 18

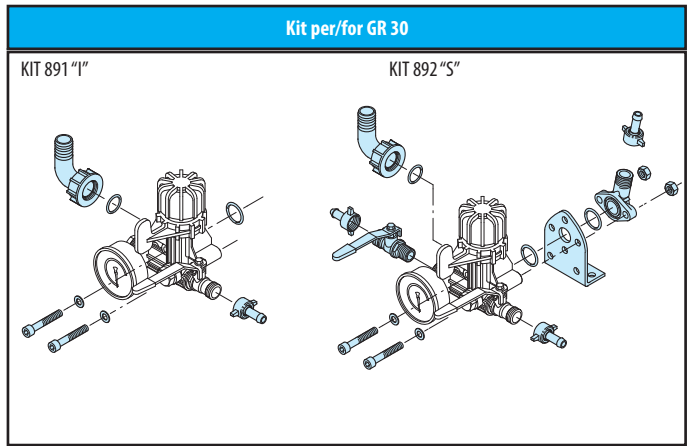
\* Torque: in-lbs +/- 10%





Control units

Pos	Code	Description	Qty	Note
1	1880220	Knob	1	
2	1880210	Ring nut	1	
3	1880331	Spring	1	
4	480441	O-ring	1	Viton
5	1880240	Pin	1	
6	1889201	Valve spool	1	
7	1880260	O-ring	1	Ø 15.08x2.62
8	1880200	Valve body	1	
9	1880340	Pressure gauge	1	Ø50 0-725 PSI T90*
10	1880250	Fitting	1	T90*
11	550331	Washer	2	Z/B ○
12	801080	Bolt	2	TCEI M6x50 ○
13	1880491	Ball valve	1	3/8" G - 1/2" G M-M DX
14	110131	Ring nut / HB	3	1/2" x 3/8"
	110130	Ring nut / HB	3	1/2" x 1/2" Optional ○
15	740290	O-ring	3	Ø 14x1.78
16	2841240	Plug	2	3/8" G plastic T90*
17	880830	O-ring	1	Ø 15.54x2.62 ○
18	550460	Elbow	1	Ø 18 ○
19	550450	Ring nut	1	3/4" G ○
20	1140450	O-ring	1	Ø 20.24x2.62 ○
21	1880310	Bolt	2	TCEI M8x65 ○
22	450145	Flange	1	○
23	550350	O-ring	1	Ø 23.81x2.62 ○
24	320406	Bracket	1	○
25	390311	Washer	2	○
26	110130	Ring nut	1	1/2" ○
27	1880492	Ball valve	1	3/8" G - 1/2" G M-M SX T90* ○
28	390270	Nut	2	M8 ○
○ Not part of GR 30				
* Torque: in-lbs +/- 10%				

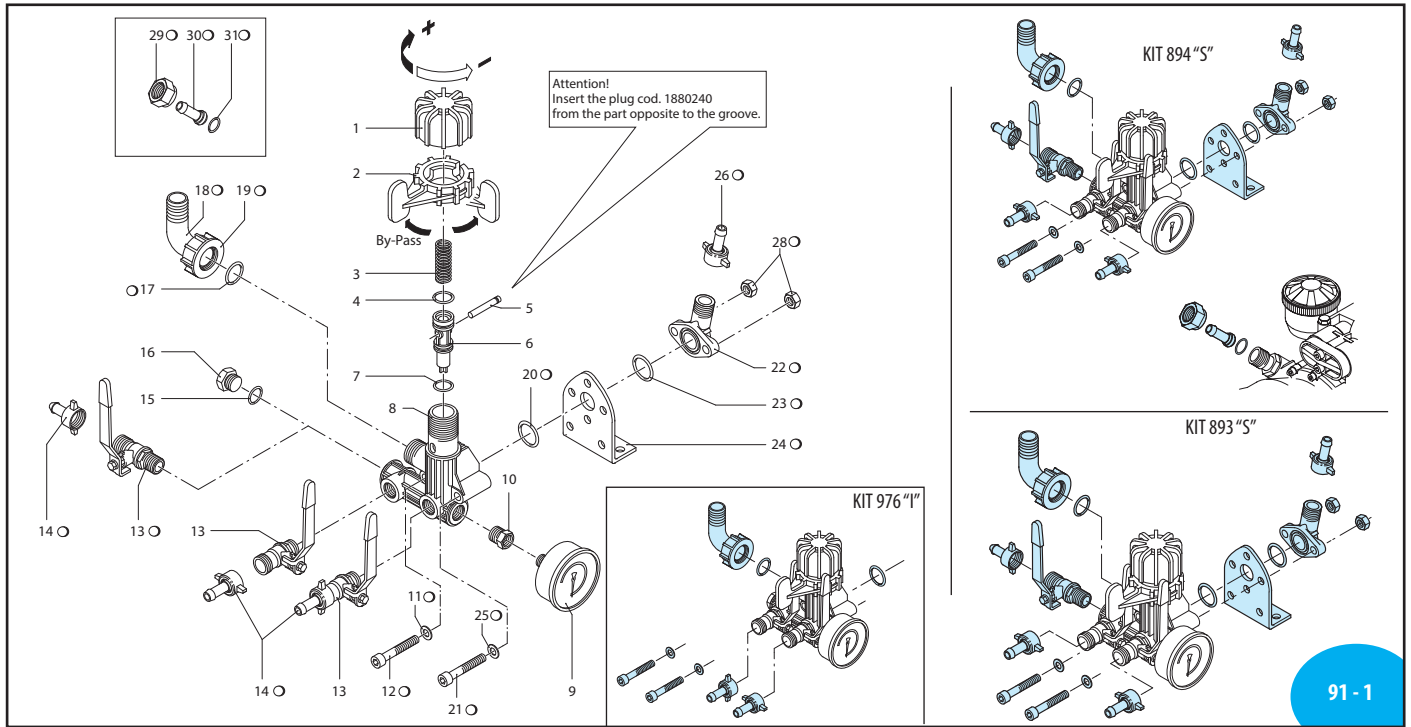


Build-in control unit and remote control

AR 891 "I"	
Build in control	
Pos.	Qty
11	2
12	2
14	1
17	1
18	1
19	1
20	1
21	2
22	1
23	1
24	1
25	2
26	1
27	1
28	2
For AR 252	

AR 892 "S"	
Remote control	
Pos.	Qty
14	3
17	1
18	1
19	1
20	1
21	2
22	1
23	1
24	1
25	2
26	1
27	1
28	2
For AR 252	

AR 2411	
Maintenance repair	
Pos.	Qty
1	1
2	1
3	1
4	1
5	1
6	1
7	1
15	3
17	1
18	1
19	1
20	1
23	1



91 - 1

Pos	Code	Description	Qty	Note
1	1880220	Knob	1	
2	1880210	Ring nut	1	
3	1880271	Spring	1	
4	480441	O-ring $\varnothing 17.13 \times 2.62$	1	Viton
5	1880240	Pin	1	
6	1889201	Valve spool	1	
7	1880260	O-ring $\varnothing 15.08 \times 2.62$	1	
8	1880200	Valve body	1	
9	1880290	Pressure gauge $\varnothing 63$	1	0-1150 PSI T90*
10	1880250	Fitting	1	T90*
11	390311	Washer	2	o
12	680360	Bolt TCEI M8x50	2	o
13	1880491	Ball valve 3/8" G - 1/2" G M-M DX	3	T90* o
14	110131	Ring nut / HB 1/2" x 3/8"	3	
	110130	Ring nut / HB 1/2" x 1/2"	3	Optional o
15	740290	O-ring $\varnothing 14 \times 1.78$	2	
16	2841240	Plug 3/8" G plastic	1	T90*
17	880830	O-ring $\varnothing 15.54 \times 2.62$	1	o
18	550460	Elbow $\varnothing 18$	1	o
19	550450	Ring nut 3/4" G	1	o
20	1140450	O-ring $\varnothing 20.24 \times 2.62$	1	o
21	1880310	Bolt TCEI M8x65	2	o
22	450145	Flange	1	o
23	550350	O-ring $\varnothing 23.81 \times 2.62$	1	o
24	320406	Bracket	1	o
25	390311	Washer	2	o
26	110130	Ring nut 1/2"	1	o
28	390270	Nut M8	2	o
29	1040790	Ring nut 3/4" G	1	o
30	1150580	Hose barb $\varnothing 13$	1	o
31	880830	O-ring $\varnothing 15.54 \times 2.62$	1	o
o Not part of GR 40				
* Torque: in-lbs +/- 10%				

### Build-in control unit and remote control

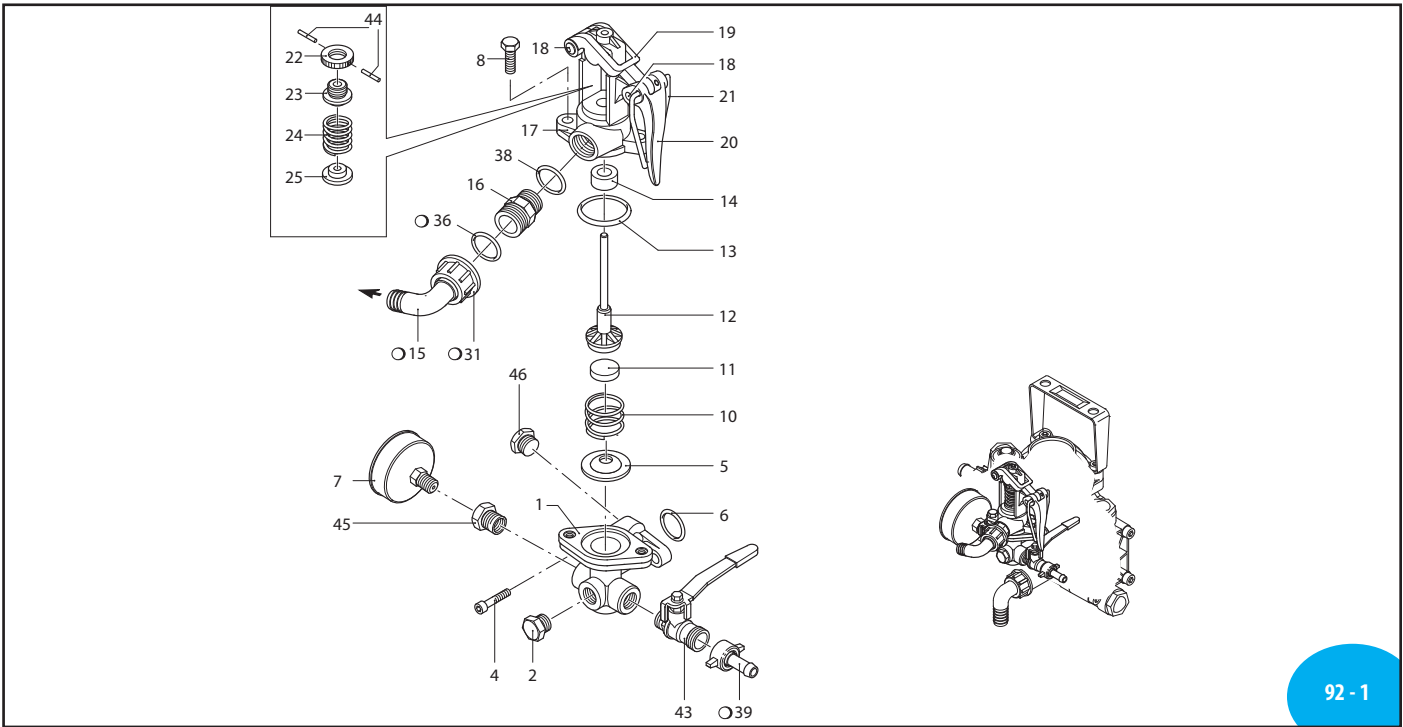
AR 976 "I" Build in control	
Pos.	Qty
11	2
12	2
14	2
17	1
18	1
19	1
20	1
For AR 303 - AR 403	

AR 2488 Repair Kit	
Pos.	Qty
3	1
4	1
5	1
6	1
7	1
For AR 503	

AR 893 "S" Remote control	
Pos.	Qty
13	1
14	3
17	1
18	1
19	1
20	1
21	2
22	1
23	1
24	1
25	2
26	1
28	2
For AR 303 - AR 403	

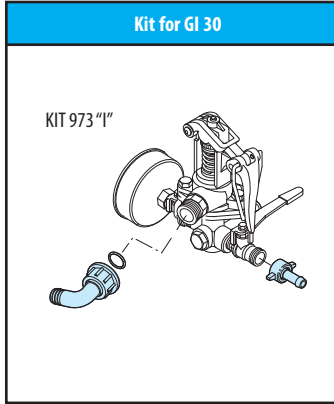
AR 894 "S" Remote control	
Pos.	Qty
13	1
14	3
17	1
18	1
19	1
20	1
21	2
22	1
23	1
24	1
25	2
26	1
28	2
29	1
30	1
31	1
For AR 503	

Control units



Control units

Pos	Code	Description	Qty	Note
1	620220	Control unit	1	
2	130171	Plug 3/8" G	1	T180*
4	780060	Bolt TCEI M6x25	2	T180*
5	450110	Seat	1	
6	550350	O-ring Ø 23.81X2.62	2	
7	1880340	Pressure gauge	1	0-725 PSI
8	180370	Bolt TE M8x25	2	T180*
10	320420	Spring	1	
11	110121	Plug	1	Desmopan
	110120	Plug	1	Buna
	110122	Plug	1	Viton
12	320433	Stem	1	
13	320511	O-ring Ø 37.8x4	1	
14	390140	Gasket	1	
	390141	Gasket	1	Viton
15	550460	Elbow Ø 18	1	o
16	550440	Fitting 1/2" G - 3/4 G M-M	1	
17	320410	Body valve	1	
18	320480	Hub pin	2	
19	320460	Fork	1	
20	320470	Lever	1	
21	320490	Support	1	
22	320451	Adjustment knob	1	
23	320440	Ring nut	1	
24	110190	Spring	1	
25	230120	Spring retainer	1	
31	550450	Ring nut 3/4" G	1	o
36	880830	O-ring Ø 15.54x2.62	1	o
38	180101	O-ring Ø 17.5x2	1	
39	110131	Ring nut / HB 1/2" x 3/8"	1	
	110130	Ring nut / HB 1/2" x 1/2"	1	Optional o
43	130492	Ball valve 3/8" G - 1/2" G M-M SX	1	
44	1080360	Bolt M3x4	2	
45	1880250	Fitting	1	
46	880581	Plug 1/4" G	1	
o Not part of GI 30				
* Torque: in-lbs +/- 10%				



AR 1925 Maintenance repair	
Pos.	Qty
5	1
10	1
11	1
12	1
13	1
14	1

AR 973 "I" Build in control unit and remote control	
Pos.	Qty
15	1
39	3
For AR 252	

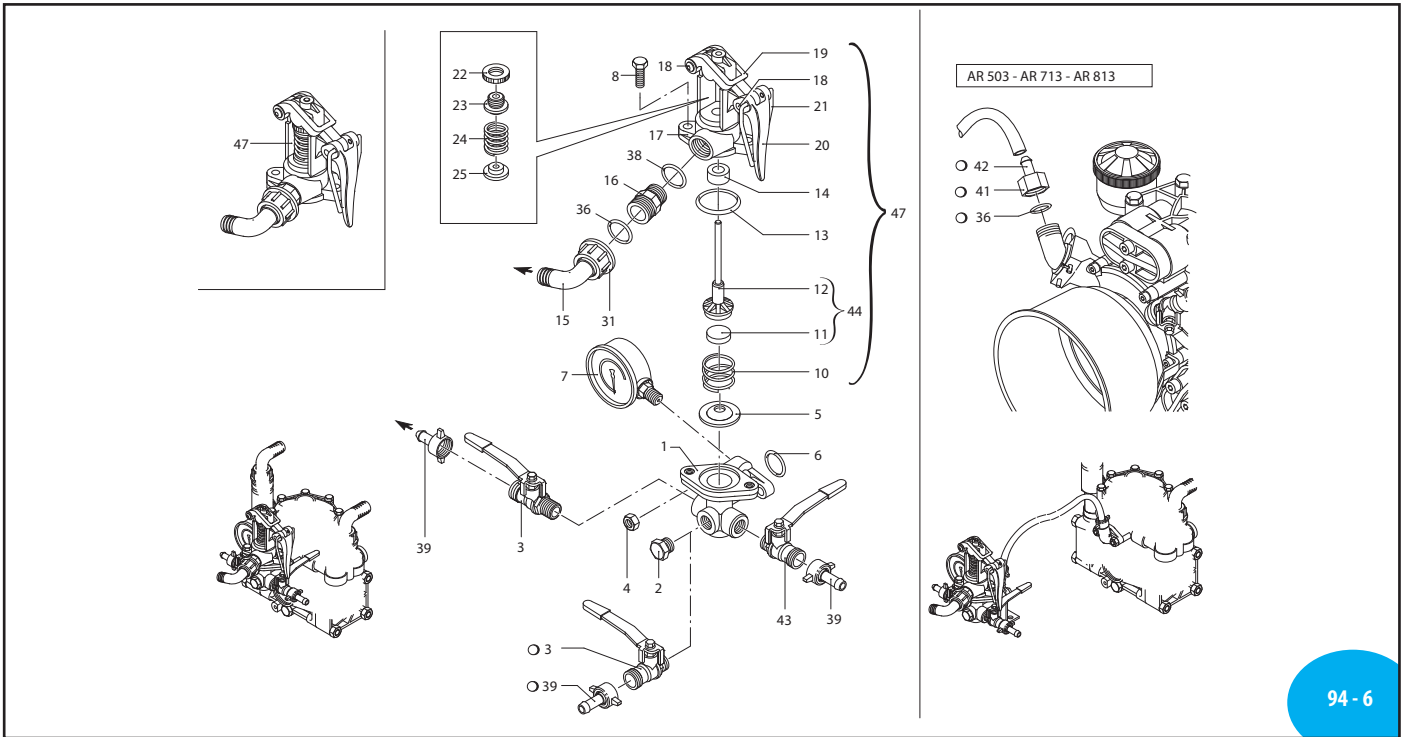
AR 1921 Buna valve seats	
Pos.	Qty
11	5

AR 1922 Desmopan valve seats	
Pos.	Qty
11	5



# A.R. NORTH AMERICA

## GI 40 / GIC40



94 - 6

Pos	Code	Description	Qty	Note
1	620220	Relief valve body	1	
2	130171	Plug	1	T180*
3	130491	Ball valve	2	o
4	390270	Nut	2	T180*
5	450110	Seat	1	GI40
5	450113	Seat	1	GIC40
6	550350	O-ring	2	Ø 23.81X2.62
7	550545	Pressure gauge	1	0-1150 PSI
8	180370	Bolt	2	T180*
10	320420	Spring	1	
11	110121	Seat	1	Desmopan
11	110120	Seat	1	Buna
11	110122	Seat	1	Viton GI40
11	450112	Seat	1	Ceramic GIC40
12	320433	Stem	1	
13	320511	O-ring	1	Ø 37.8x4
14	390140	Gasket	1	GI40
14	390141	Gasket	1	Viton GIC40
15	550460	Elbow	1	3/4"
16	550440	Fitting	1	1/2" G - 3/4 G M-M
17	320410	Body valve	1	GI40
17	320411	Body Valve	1	GIC40
18	320480	Hub pin	2	
19	320460	Fork	1	
20	320470	Lever	1	
21	320490	Support	1	
22	320450	Retaining washer	1	
23	320440	Ring nut	1	
24	110190	Spring	1	
25	230120	Retaining washer	1	
28	320406	Bracket	1	
30	450145	Flange	1	
31	550450	Ring Nut	1	3/4"
33	160660	Bolt	2	T90*
36	880830	O-ring	1	Ø 15.54x2.62
38	180101	O-ring	1	Ø 17.5x2
39	110131	Ring nut / HB	2	Optional o
39	110130	Ring nut / HB	2	1/2" x 1/2"
41	1040790	Ring nut	1	o
42	1150580	Hose barb	1	o
43	130492	Ball valve	1	3/8" G - 1/2" G M-M SX

Pos	Code	Description	Qty	Note
44	329202	Seat	1	GIC40
47	1923	Valve kit	1	GI40
o Not included				
* Torque: in-lbs +/- 10%				

AR 1757 Viton valve seats (GI40)	
Pos.	Qty
5	1
10	1
11	1
12	1
13	1
14	1

AR 1925 Desmopan valve seats (GI40)	
Pos.	Qty
5	1
10	1
11	1
12	1
13	1
14	1

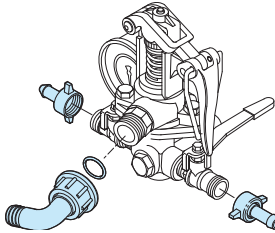
AR 46016 Ceramic valve seats (GIC40)	
Pos.	Qty
5	1
10	1
11	1
12	1
13	1
14	1



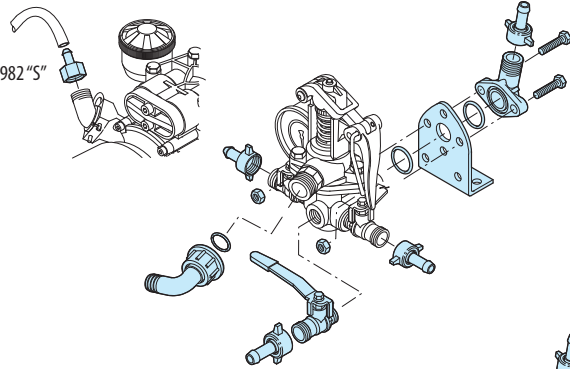
# GI 40 / GIC 40

For GI 40

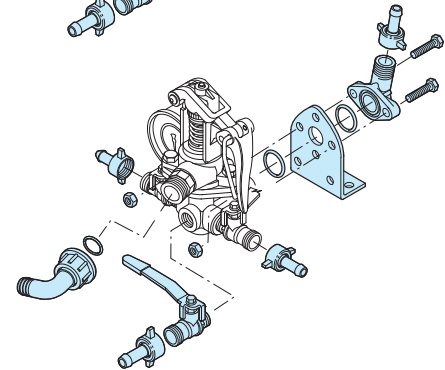
KIT 977 "I"



KIT 982 "S"



KIT 980 "S"



## Build-in control unit and remote control

### AR 977 "I" Build in control

Pos.	Qty
15	1
31	1
36	1
39	2
For AR 30, AR 50, AR 303, AR 403	

### AR 980 "S" Remote control

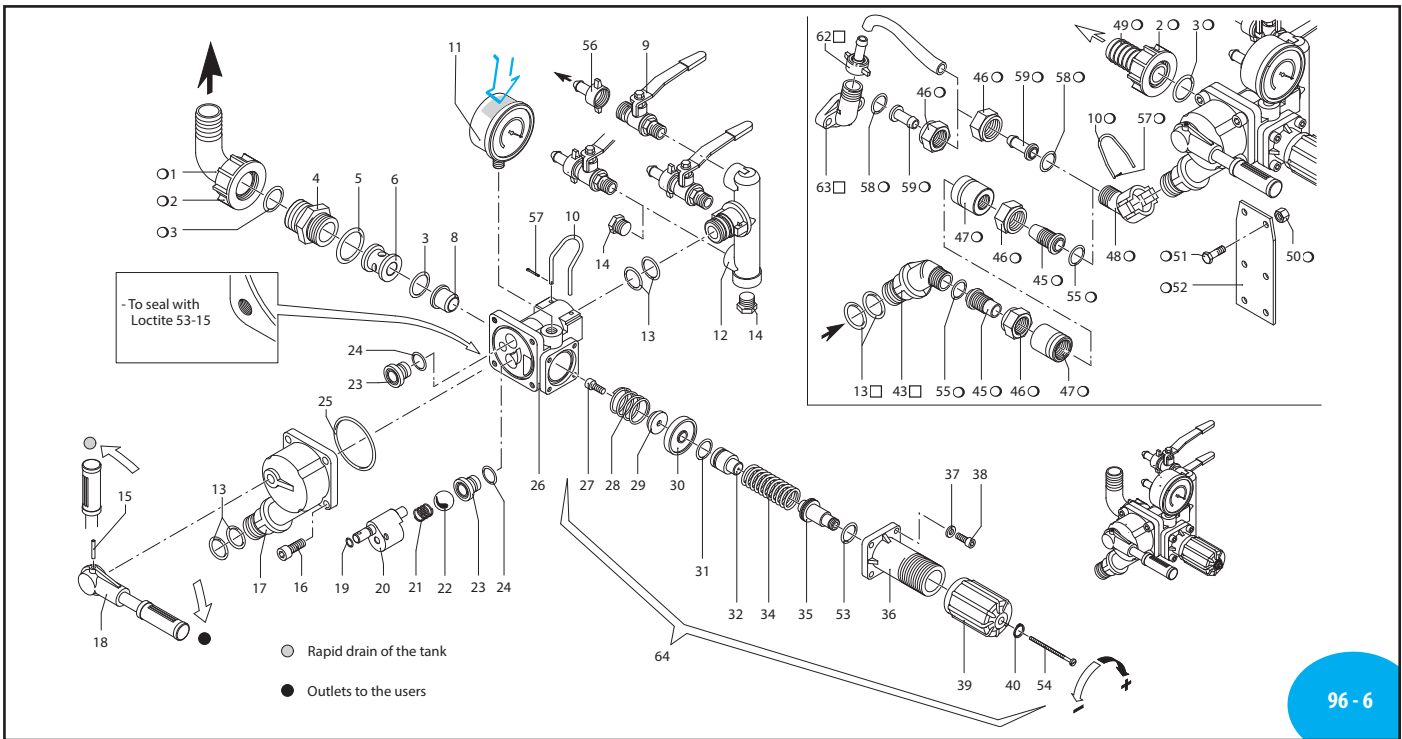
Pos.	Qty
3	1
4	2
6	1
15	1
28	1
30	1
31	1
32	1
33	2
36	1
39	3
For AR 30, AR 50, AR 303, AR 403	

### AR 982 "S" Remote control

Pos.	Qty
3	1
4	2
6	1
15	1
28	1
30	1
31	1
32	1
33	2
36	2
39	3
41	1
42	1
For AR 503	

Control units

# A.R. NORTH AMERICA VDR 50



96 - 6

Pos	Code	Description	Qty	Note
1	550370	Elbow Ø 25	1	○
2	550242	Ring nut 1" G	1	○
3	550350	O-ring Ø 23.81x2.62	2	○
4	1040780	Fitting 1" G M-M	1	
5	550040	O-ring Ø 26.65x2.62	1	
6	1040670	Spacer	1	
8	1040660	Seat	1	SS
9	130491	Ball valve 3/8" G - 1/2" G M-M DX	3	
10	1040690	Fork	2	○
11	550545	Pressure gauge 0-1150 PSI	1	○
	1151010	Pressure gauge Ø63 0-725-1150 PSI	1	○
12	1040680	Body	1	
13	390180	O-ring Ø 18.72x2.62	6	□
14	130171	Plug 3/8" G	2	T180*
15	1040820	Pin	1	
16	108030	Bolt TCEI M8x20	4	T180*
17	1040720	Body distributor	1	
18	1040730	Knob	1	
19	1080200	O-ring Ø 5.6x2.2	1	
20	1040700	Hub pin	1	
21	850680	Spring	1	
22	850660	Ball	1	SS
23	850650	Seat	2	
24	740290	O-ring Ø 14x1.78	2	
25	1040710	O-ring Ø 56x2	1	
26	1040600	Body	1	
27	680560	Bolt TCEI M6x16	1	SST90*
28	1040650	Spring	1	
29	1040640	Valve	1	SS
30	1040630	Diaphragm	1	Desmopan
	1040631	Diaphragm	1	NBR
31	880833	O-ring Ø 15.54x2.62	1	90 Sh
32	1040622	Piston	1	
34	1040830	Spring	1	
35	394770	Hub pin	1	
36	1040610	Body spring guide	1	
37	550331	Washer	4	
38	1040370	Bolt TCEI M6x22	4	T35*
39	394790	Knob	1	
40	480550	Ring circlip øe 12	1	
43	1040760	Fitting 3/4" G M	1	□
45	1040810	Hose barb Ø 13 x 24	2	○
	850780	Hose barb Ø 19 x 34	2	○

Pos	Code	Description	Qty	Note
46	1040790	Ring nut 3/4" G	2	For ø 13 ○
	850790	Ring nut 3/4" G	2	For ø 19 ○
47	1040800	Ring nut	2	For ø 13 ○
	850770	Ring nut	2	For ø 19 ○
48	1040770	Fitting	1	○
49	550210	Hose barb Ø 25	1	○
50	390270	Nut M8	2	T180* ○
51	180370	Bolt TE M8x25	2	T180* ○
52	850690	Bracket	1	○
53	770130	O-ring Ø 20.35x1.78	1	
54	1150650	Bolt TCTC M3x60	1	T45*
55	960160	O-ring Ø 17.86x2.62	2	○
56	110131	Ring nut / HB 1/2" x 3/8"	3	
56	110130	Ring nut / HB 1/2" x 1/2"	3	Optional
57	1040950	Split pin	2	○
58	880830	O-ring Ø 15.54x2.62	2	○
59	1150580	Hose barb Ø 13	2	○
62	110130	Ring nut 1/2"	1	□
63	450145	Flange	1	□
64	1362	Valve kit adjustment	1	

○ Not part of VDR 50  
□ Part of pump

\*Torque: in-lbs +/- 10%

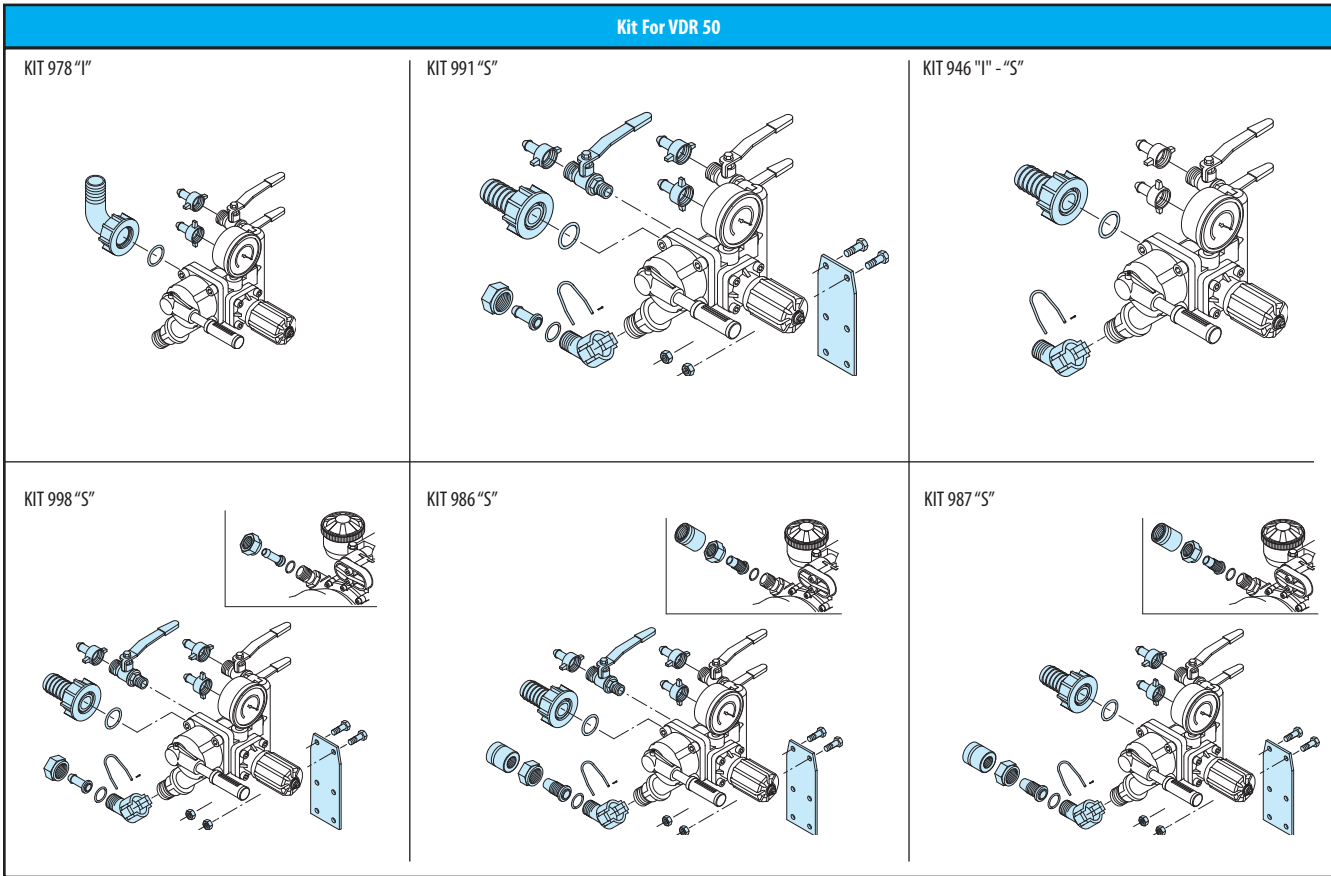
AR 1955 O-Rings	
Pos.	Qty
3	2
5	1
13	4
19	1
24	2
25	1
31	1
53	1
55	2

AR 1956 Maintenance repair N° 1			
Pos.	Qty	Pos.	Qty
3	2	24	2
5	1	25	1
10	2	28	1
13	4	29	1
15	1	30	1
19	1	31	1
21	1	39	1
22	1	53	1
23	2	57	2

AR 2484 Mant. rep. N° 2	
Pos.	Qty
3	2
5	1
8	1
27	1
29	1
30	1
31	1

# VDR 50

## Kit For VDR 50



## Build-in control unit and remote control

AR 978 "I" Build in control	
Pos.	Qty
1	1
2	1
3	1
56	2
For AR 713, AR 813, AR 1064	

AR 991 "S" Remote control	
Pos.	Qty
2	1
3	1
9	1
10	1
46	1
48	1
49	1
50	2
51	2
52	1
56	3
57	1
58	1
59	1
For AR 30 & AR 50	

KIT 946 "S" Remote control	
Pos.	Qty
2	1
3	1
10	1
48	1
49	1
57	1
For AR 503, R 713 AR 813, AR 1064 AR 903, AR 1053, AR 1203, BHA/BHS/BHP 130	

AR 946 "I" Build in control	
Pos.	Qty
2	1
3	1
10	1
48	1
49	1
57	1
For AR 903, AR 1053, AR 1203, BHS 90, BHS 105, BHS120	

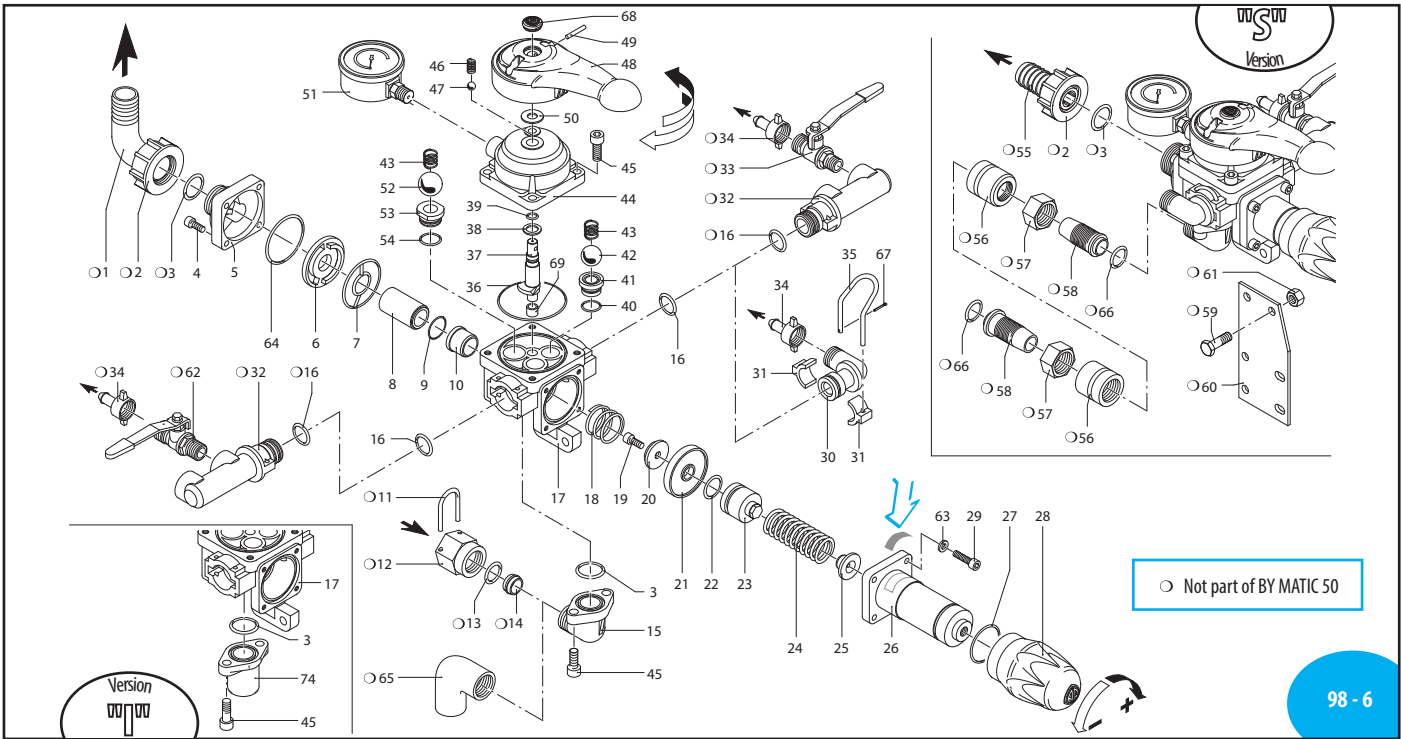
AR 998 "S" Remote control	
Pos.	Qty
2	1
3	1
9	1
1	1
46	2
48	1
49	1
50	2
51	2
52	1
56	3
57	1
58	2
59	2
For AR 503, AR 903, AR 1053, AR 1203, AR 713, AR 813, AR 1064, AR 1265, BHA/BHS/BHP 130	

AR 986 "S" Remote control Ø 13 x 24 mm	
Pos.	Qty
2	1
3	1
9	1
10	1
45	2
46	2
47	2
48	1
49	1
50	2
51	2
52	1
55	2
56	3
57	1
For AR 503, AR 713, AR 813	

AR 987 "S" Remote control Ø 19 x 34 mm	
Pos.	Qty
2	1
3	1
10	1
45	2
46	2
47	2
48	1
49	1
50	2
51	2
52	1
55	2
56	2
57	1
For AR 903, AR 1053, AR 1203, AR 1064, BHA/BHS/BHP 130	

Control units

# A.R. NORTH AMERICA BY MATIC 50



Pos	Cod.	Descrizione	Q.ty	Note
1	550370	Elbow Ø 25	1	○
2	550242	Ring nut 1" G	1	○
3	550350	O-ring Ø 23,81x2,62	2	○
4	780060	Bolt TCEI M6x25	4	T90*
5	1150031	Flange	1	Cataforesi
6	1150021	Retaining washer	1	
7	1150041	Gasket	1	
8	1150050	Spacer	1	
9	770590	O-ring Ø 21,95x1,78	1	
10	1150060	Seat	1	
11	850760	Fork	1	○
12	850750	Ring nut 3/4" G F	1	○
13	390180	O-ring Ø 18,72x2,62	1	○
14	850490	Ring	1	○
15	850713	Fitting 1/2" G M	1	
16	390060	O-ring Ø 20,63x2,62	2	○
17	1150012	Body	1	
18	320420	Spring	1	
19	680700	Bolt TCEI M6x20	1	T90* SS
20	1150070	Valve	1	
21	1150130	Diaphragm	1	Desmopan
21	1150131	Diaphragm	1	NBR
22	620031	O-ring Ø 25,80x3,53	1	Viton
23	1150180	Piston	1	
24	1150190	Spring	1	
25	1150200	Spring retainer	1	
26	1150171	Body guida molla	1	
27	820490	O-ring Ø 34,65x1,78	1	
28	1150921	Knob	1	Black
29	1040370	Bolt TCEI M6x22	4	T90*
30	1150140	Fitting	2	
31	1150150	Clamp	4	
32	1150161	Body rubinetto	2	○
33	160142	Ball valve 1/2" G M-M SX	2	○
34	110130	Ring nut / HB 1/2" x 1/2"	4	○
35	1040690	Fork	2	
36	1150250	O-ring Ø 65x2	1	
37	1150120	Hub pin	1	
38	850720	Washer	1	
39	390340	O-ring Ø 7,30x2,4	1	
40	740290	O-ring Ø 14x1,78	2	
41	850650	Seat	2	
42	850660	Ball	2	SS

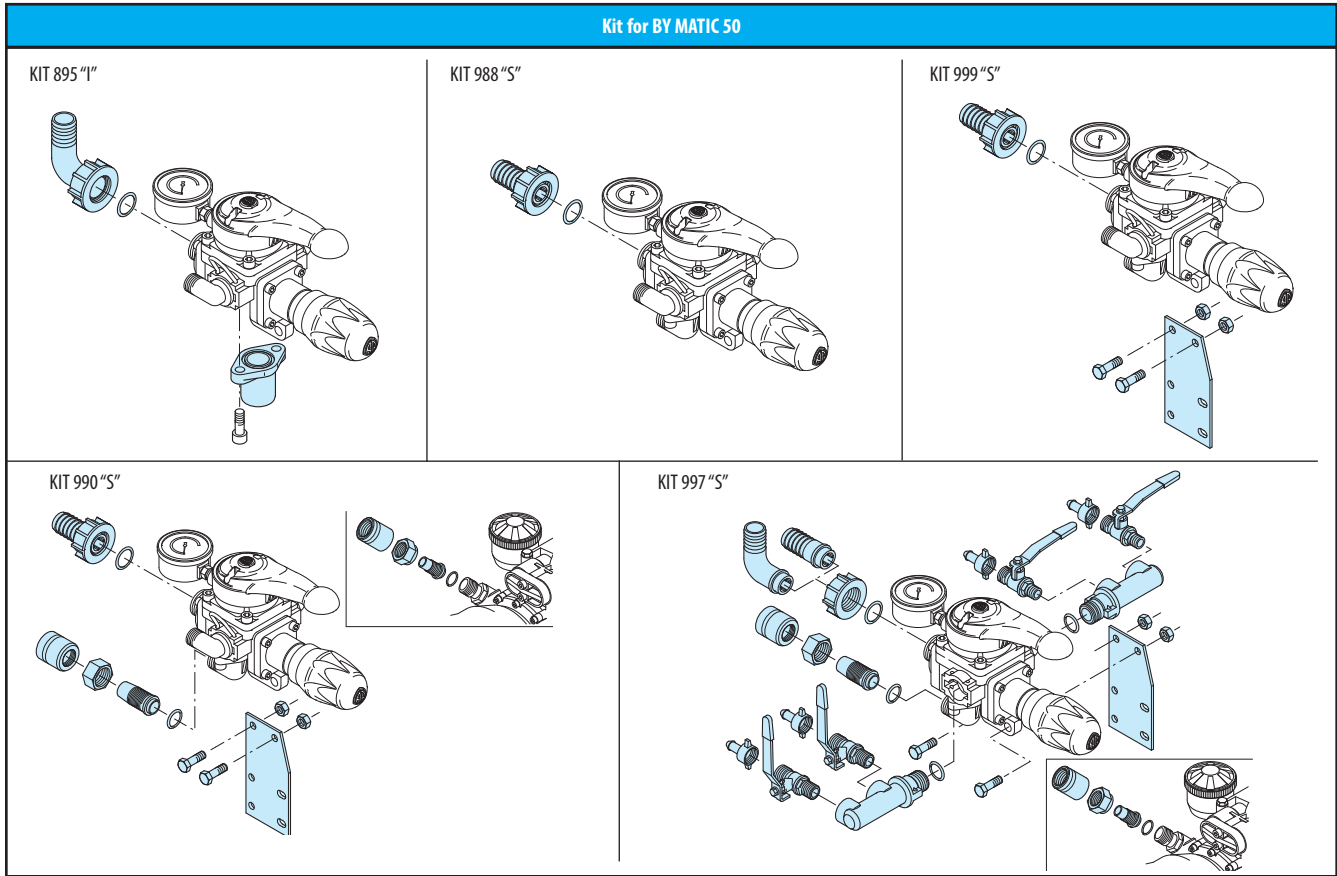
Pos	Cod.	Descrizione	Q.ty	Note
43	850680	Spring	3	
44	1150082	Body upper distributor	1	
45	320360	Bolt TCEI M8x22	6	T180*
46	850830	Spring	1	
47	621160	Ball	1	
48	1150891	Lever	1	Black
49	1040820	Pin	1	
50	391460	Washer	1	
51	550545	Pressure gauge Ø63	1	0-1150 PSI
51	1151010	Pressure gauge Ø63 isometric	1	0-725-1150 PSI
52	1150100	Ball	1	SS
53	1150091	Seat	1	
54	880270	O-ring Ø 17,17x1,78	1	
55	550210	Hose barb Ø 25	1	○
56	850770	Ring nut	2	○
57	850790	Ring nut 3/4" G	2	○
58	850780	Hose barb Ø 19x34	2	○
59	180370	Bolt TEM8x25	2	T180* ○
60	850690	Bracket	1	○
61	390270	Nut M8	2	T180* ○
62	160141	Ball valve 1/2" G M-M DX	2	○
63	550331	Washer	4	Z/B
64	1150280	O-ring Ø 50,52x1,78	1	
65	1150690	Fitting 3/4" G F-F	1	○
66	960160	O-ring Ø 17,86x2,62	2	○
67	1040950	Split pin	2	
68	1150930	Plug	1	
69	1150840	Bushing	1	
74	550394	Flange	1	

\*Torque: in-lbs +/- 10%

AR 1967 O-Rings		AR 1968 Maintenance repair			
Pos.	Q.ty	Pos.	Q.ty	Pos.	Q.ty
3	2	3	2	22	1
9	1	7	1	23	1
13	3	9	1	24	1
22	1	10	1	27	1
27	1	16	2	36	1
36	1	18	1	38	1
39	1	19	1	39	1
40	2	20	1	64	1
54	1	21	1		

# BY MATIC 50

## Kit for BY MATIC 50



Control units

## Build-in control unit and remote control

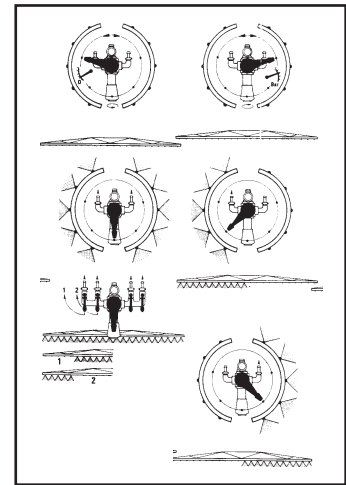
AR 895 "I" Build in control	
Pos.	Q.ty
1	1
2	1
3	1
74	1
For AR 903, AR 1053, AR 1203, BHA/BHP 130 - 150 - 170 - 200 BHS 90 - 105 - 120 - 130 - 150 - 170 - 200	

AR 988 "S" Remote control	
Pos.	Q.ty
2	1
3	1
55	1
For AR 713, AR 813, AR 1064, AR 1516, AR 903, AR 1053, AR 1203, BHA/BHP 130 - 150 - 170 - 200	

AR 999 "S" Remote control	
Pos.	Q.ty
2	1
3	1
55	1
59	2
60	1
61	2
For AR 713, AR 813, AR 1064, AR 903, AR 1053, AR 1203, BHS/BHA/BHP 130 - 150 - 170 - 200	

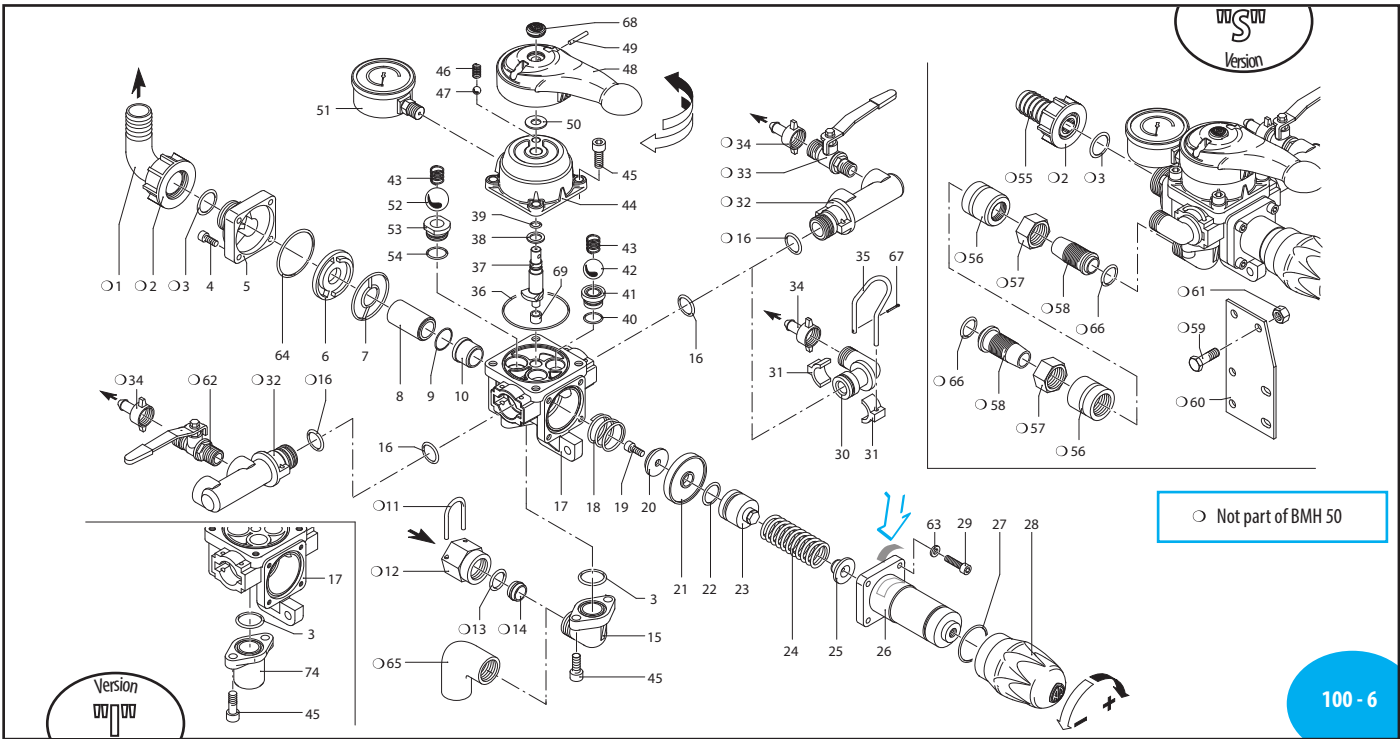
AR 990 "S" Remote control	
Pos.	Q.ty
2	1
3	1
55	1
56	2
57	2
58	2
59	2
60	1
61	2
66	2
For AR 713, AR 813, AR 1064, AR 903, AR 1053, AR 1203, BHS/BHA/BHP 130 - 150 - 170 - 200	

AR 997 "S" Remote control	
Pos.	Q.ty
1	1
2	1
3	1
16	2
32	2
33	2
34	4
55	1
56	2
57	2
58	2
59	2
60	1
61	2
62	2
66	2
For AR 713, AR 813, AR 1064, AR 903, AR 1053, AR 1203, BHS/BHA/BHP 130 - 150 - 170 - 200	





# A.R. NORTH AMERICA **BMH 50**



Pos	Code	Description	Qty	Note
1	550370	Elbow Ø 25	1	○
2	550242	Ring nut 1" G	1	○
3	550350	O-ring Ø 23.81X2.62	2	○
4	780060	Bolt TCEI M6x25	4	T90*
5	1150031	Flange	1	
6	1150021	Retaining washer	1	
7	1150041	Gasket	1	
8	1150050	Spacer	1	
9	770590	O-ring Ø 21.95x1.78	1	
10	1150060	Seat	1	
11	850760	Fork	1	○
12	850750	Ring nut 3/4" G F	1	○
13	390180	O-ring Ø 18.72x2.62	1	○
14	850490	Ring	1	○
15	1150880	Fitting 3/4" G	1	Brass
16	390060	O-ring Ø 20.63x2.62	4	○
17	1150012	Body	1	
18	320420	Spring	1	
19	680700	Bolt TCEI M6x20	1	SST90*
20	1150070	Valve	1	
21	1150130	Diaphragm	1	Desmopan
	1150131	Diaphragm	1	NBR
22	620031	O-ring Ø 25.80x3.53	1	Viton
23	1150180	Piston	1	
24	1150190	Spring	1	
25	1150200	Spring retaining	1	
26	1150171	Body spring guide	1	
27	820490	O-ring Ø 34.65x1.78	1	
28	1150920	Knob	1	Red
29	1040370	Bolt TCEI M6x22	4	T90*
30	1150910	Fitting 1/2" G	2	Brass
31	1150150	Clamp	4	
32	1150161	Body tap	2	○
33	160142	Ball valve 1/2" G M-M SX	2	○
34	110130	Ring nut / HB 1/2" x 1/2"	4	○
35	1040690	Fork	2	
36	1150250	O-ring Ø 65x2	1	
37	1150120	Hub pin	1	
38	850720	Washer	1	
39	390340	O-ring Ø 7.30x2.4	1	
40	740290	O-ring Ø 14x1.78	2	
41	850650	Seat	2	
42	850660	Ball	2	SS
43	850680	Spring	3	

Pos	Code	Description	Qty	Note
44	1150900	Body upper distributor	1	
45	320360	Bolt TCEI M8x22	6	T180*
46	850830	Spring	1	
47	621160	Ball	1	
48	1150890	Lever	1	red
49	1040820	Pin	1	
50	391460	Washer	1	
51	550545	Pressure gauge	1	0-1150 PSI
	1151010	Pressure gauge Ø63	1	0-725-1150 PSI
52	1150100	Ball	1	SS
53	1150091	Seat	1	
54	880270	O-ring Ø 17.17x1.78	1	
55	550210	Hose barb Ø 25	1	○
56	850770	Ring nut	2	○
57	850790	Ring nut 3/4" G	2	○
58	850780	Hose barb Ø 19x34	2	○
59	180370	Bolt TE M8x25	2	T180* ○
60	850690	Bracket	1	○
61	390270	Nut M8	2	T180* ○
62	160141	Ball valve 1/2" G M-M DX	2	○
63	550331	Washer	4	
64	1150280	O-ring Ø 50.52x1.78	1	
65	1150690	Fitting 3/4" G F-F	1	○
66	960160	O-ring Ø 17.86x2.62	2	○
67	1040950	Split pin	2	
68	1150930	Plug	1	
69	1150840	Bushing	1	
74	550394	Flange	1	

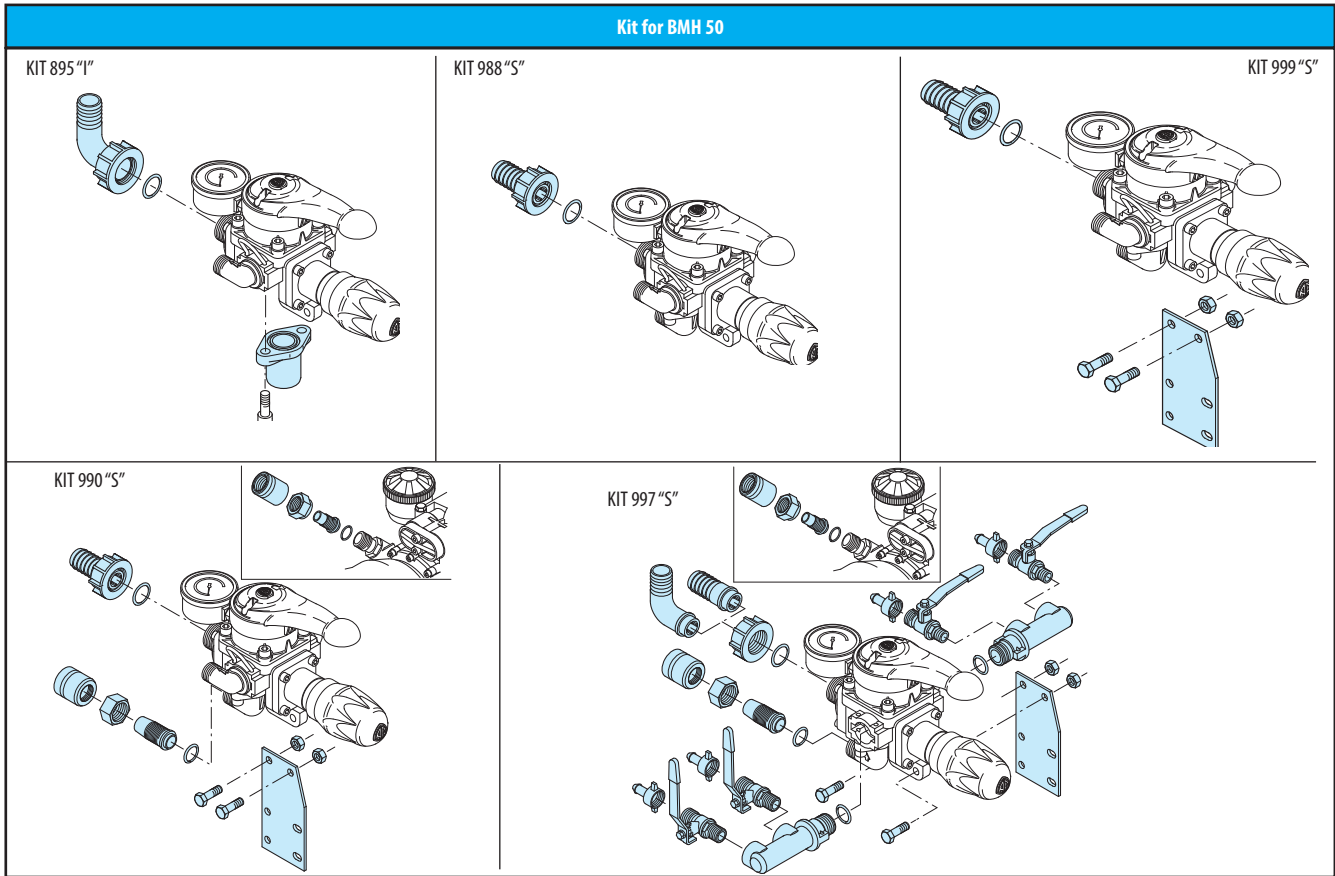
\*Torque: in-lbs +/- 10%

AR 1967 O-Rings			
Pos.	Qty	Pos.	Qty
3	2	54	1
9	1		
13	3		
22	1		
27	1		
36	1		
39	1		
40	2		

AR 1968 Maintenance repair			
Pos.	Qty	Pos.	Qty
3	2	22	1
7	1	23	1
9	1	24	1
10	1	27	1
16	2	36	1
18	1	38	1
19	1	39	1
20	1	64	1
21	1		

# BMH 50

## Kit for BMH 50



Control units

## Build-in control unit and remote control

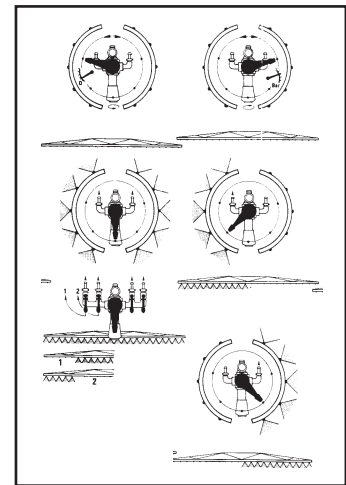
AR 895 "I" Build in control	
Pos.	Qty
1	1
2	1
3	1
74	1
For AR 903, AR 1053, AR 1203, BHA/BHP 130 - 150 - 170 - 200 BHS 90 - 105 - 120 - 130 - 150 - 170 - 200	

AR 988 "S" Remote control	
Pos.	Qty
2	1
3	1
55	1
For AR 713, AR 813, AR 1064, AR 1516 AR 903, AR 1053, AR 1203, BHA/BHP 130 - 150 - 170 - 200	

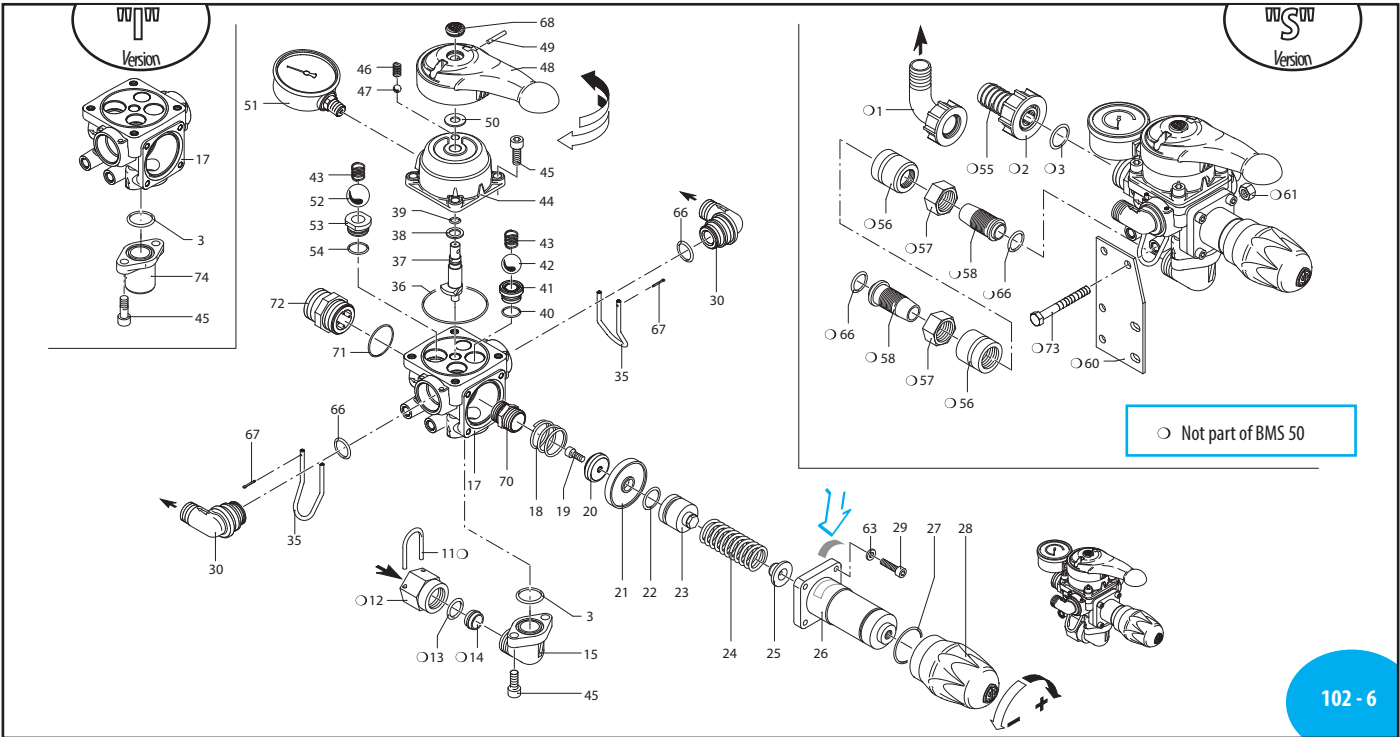
AR 999 "S" Build in control	
Pos.	Qty
2	1
3	1
55	1
59	2
60	1
61	2
For AR 713, AR 813, AR 1064, AR 903, AR 1053, AR 1203, BHS/BHA/BHP 130 - 150 - 170 - 200	

AR 990 "S" Remote control	
Pos.	Qty
2	1
3	1
55	1
56	2
57	2
58	2
59	2
60	1
61	2
66	2
For AR 713, AR 813, AR 1064, AR 903, AR 1053, AR 1203 BHS/BHA/BHP 130 - 150 - 170 - 200	

AR 997 "S" Remote control	
Pos.	Qty
1	1
2	1
3	1
16	2
32	2
33	2
34	4
55	1
56	2
57	2
58	2
59	2
60	1
61	2
62	2
66	2
For AR 713, AR 813, AR 1064, AR 903, AR 1053, AR 1203, BHS/BHA/BHP 130 - 150 - 170 - 200	



# A.R. NORTH AMERICA BMS 50



102 - 6

Pos	Code	Description	Qty	Note
1	550370	Elbow	1	○
2	550242	Ring nut	1	○
3	550350	O-ring	2	○
11	850760	Fork	1	○
12	850750	Ring nut	1	○
13	390180	O-ring	1	○
14	850490	Ring	1	○
15	1150880	Fitting	1	Brass
17	1150960	Body	1	Brass
18	320420	Spring	1	
19	680700	Bolt	1	T90* SS
20	1150980	Valve	1	
21	1150130	Diaphragm	1	Desmopan
21	1150131	Diaphragm	1	NBR
22	620031	O-ring	1	Viton
23	1150180	Piston	1	
24	1150190	Spring	1	
25	1150200	Spring retainer	1	
26	1150171	Body	1	spring guide
27	820490	O-ring	1	
28	1150920	Knob	1	Red
29	1040370	Bolt	4	T90*
30	1150990	Fitting	2	Brass
35	1040690	Fork	2	
36	1150250	O-ring	1	
37	1150120	Hub pin	1	
38	850720	Washer	1	
39	390340	O-ring	1	
40	740290	O-ring	2	
41	850650	Seat	2	Plastic
42	850660	Ball	2	SS
43	850680	Spring	3	
44	1150900	Body	1	upper distributor
45	320360	Bolt	6	T180*
46	850830	Spring	1	
47	621160	Ball	1	
48	1150890	Lever	1	Red
49	1040820	Pin	1	
50	391460	Washer	1	
51	1150950	Pressure gauge	1	0-1150 PSI
51	1151010	Pressure gauge	1	0-725-1150 PSI
52	1150100	Ball	1	SS

Pos	Code	Description	Qty	Note
53	1150091	Seat	1	
54	880270	O-ring	1	
55	550210	Hose barb	1	○
56	850770	Ring nut	2	○
57	850790	Ring nut	2	○
58	850780	Hose barb	2	○
60	850690	Bracket	1	○
61	390270	Nut	2	T180* ○
63	550331	Washer	4	
66	960160	O-ring	4	○
67	1040950	Split pin	2	
68	1150930	Plug	1	
70	1150970	Seat	1	
71	390290	O-ring	1	
72	550340	Fitting	1	○
73	320700	Bolt	2	T180*
74	550394	Flange	1	

\*Torque: in-lbs +/- 10%

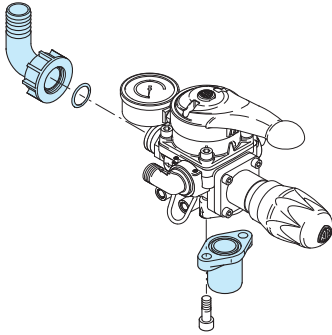
AR 1967 O-Rings	
Pos.	Qty
3	2
9	1
13	3
22	1
27	1
36	1
39	1
40	2
54	1

AR 2464 Maintenance repair	
Pos.	Qty
3	3
18	1
19	1
20	1
21	1
22	1
23	1
27	1
36	1
38	1
39	1
66	1
70	1
71	1

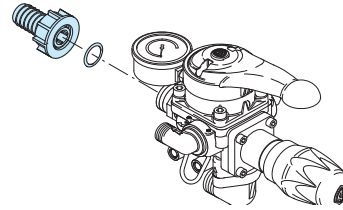
# BMS 50

## Kit for BMS 50

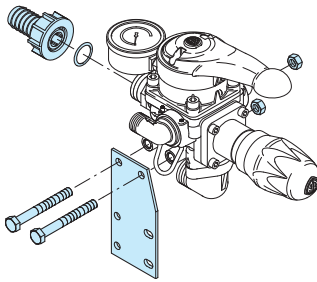
KIT 895 "I"



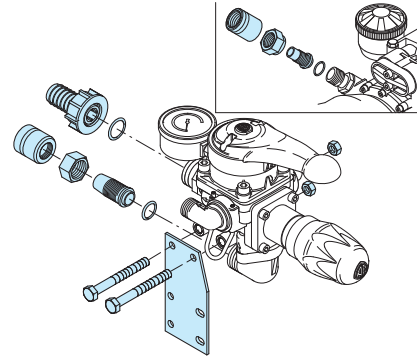
KIT 988 "S"



KIT 42207 "S"



KIT 42208 "S"



## Build-in control unit and remote control

Control units

**AR 895 "I"**  
Build in control

Pos.	Qty
1	1
2	1
3	1
74	1
For AR 903, AR 1053, AR 1203, BHA/BHP 130 - 150 - 170 - 200 BHS 90 - 105 - 120 - 130 - 150 - 170 - 200	

**AR 988 "S"**  
Remote control

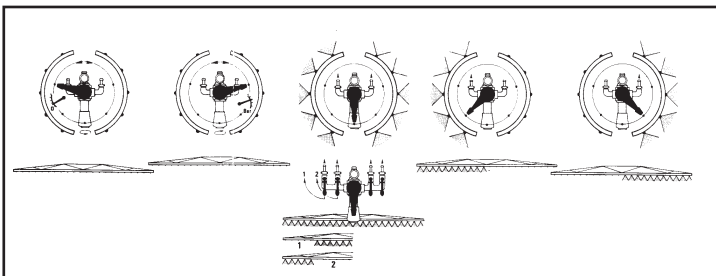
Pos.	Qty
2	1
3	1
55	1
For AR 713, AR 813, AR 1064, AR 903, AR 1053, AR 1203, BHS/BHA/BHP 130 - 150 - 170 - 200	

**AR 42207 "S"**  
Build in control

Pos.	Qty
2	1
3	1
55	1
60	1
61	2
73	2
For AR 713, AR 813, AR 1064, AR 903, AR 1053, AR 1203, BHA/BHP 130 - 150 - 170 - 200 BHS 90 - 105 - 120 - 130 - 150 - 170 - 200	

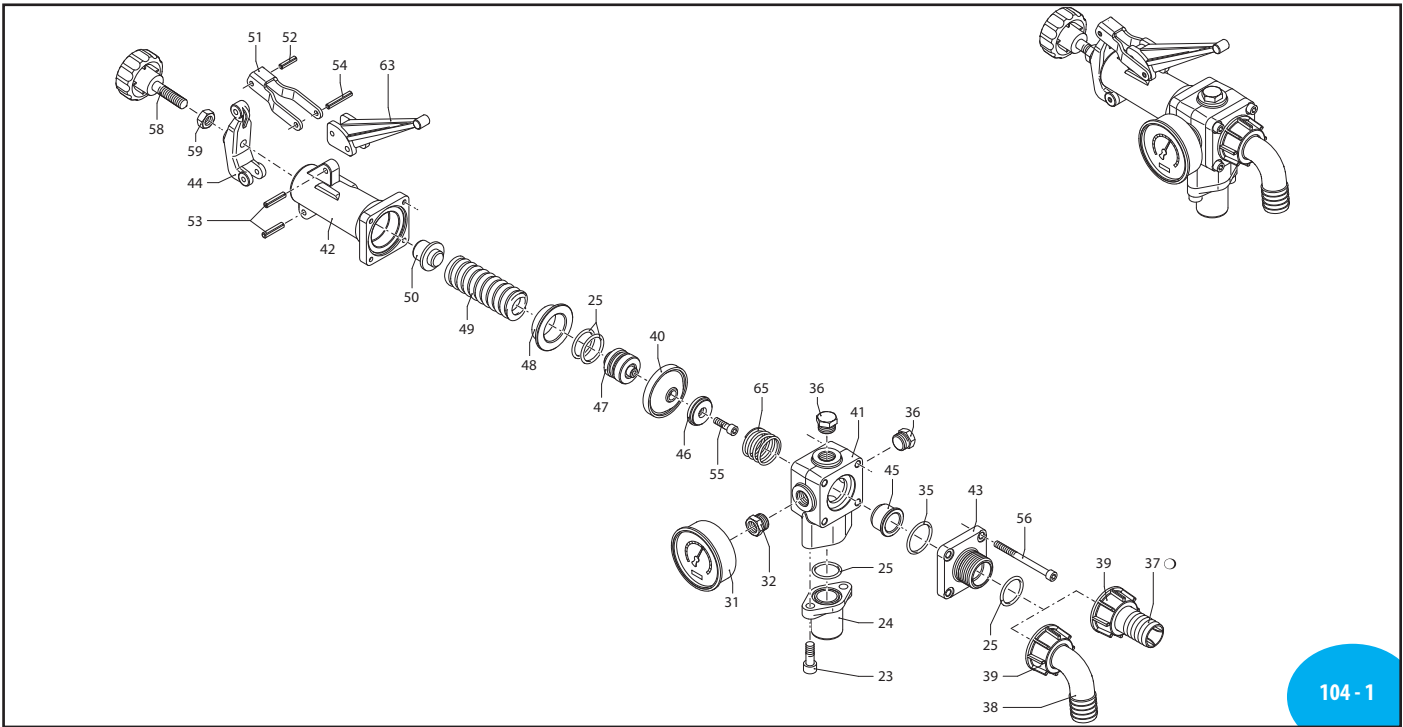
**AR 42208 "S"**  
Remote control

Pos.	Qty
2	1
3	1
55	1
56	2
57	2
58	2
60	1
61	2
66	2
73	2
For AR 713, AR 813, AR 1064, AR 903, AR 1053, AR 1203, BHS 90 - 105 - 120 BHA 130 - 150 - 170 - 200 BHP 130 - 150 - 170 - 200 BHS 130 - 150 - 170 - 200	



# A.R. NORTH AMERICA

## GH 50



104 - 1

Control units

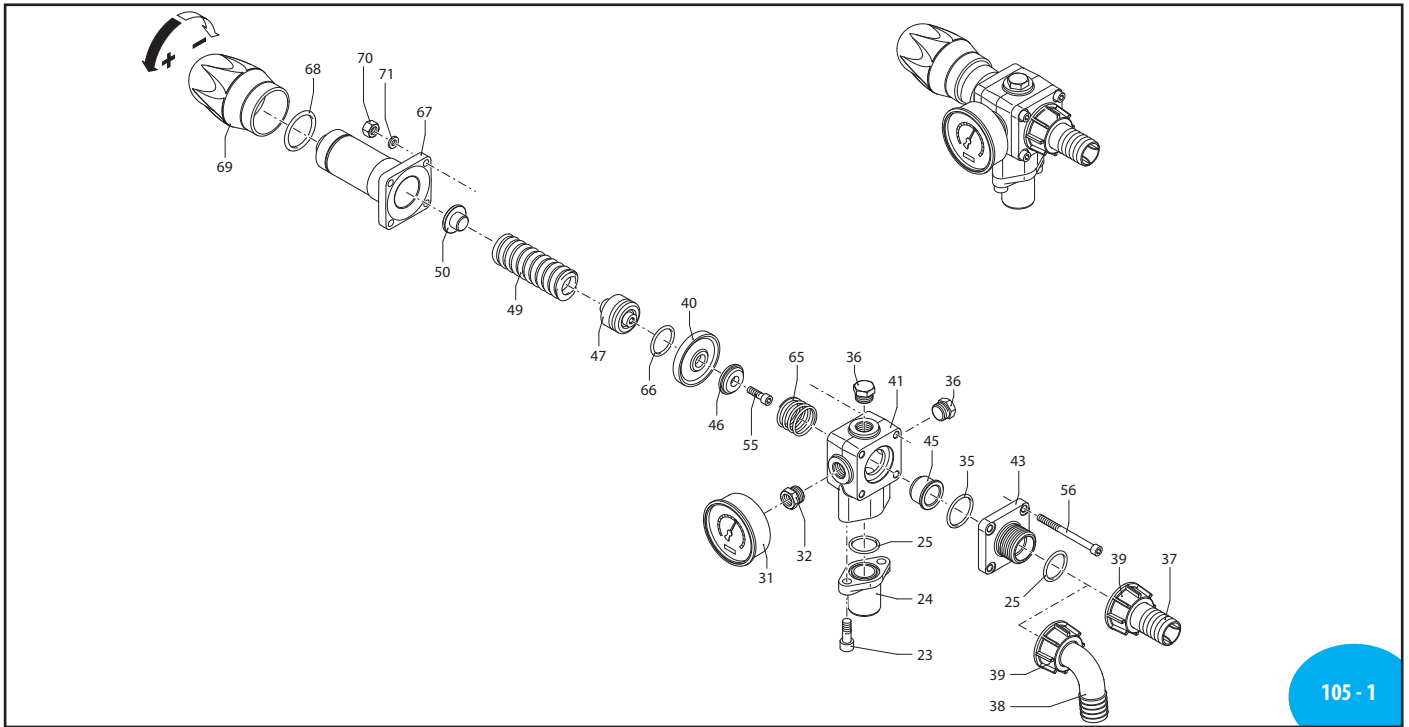
Pos	Code	Description	Qty	Note
23	620610	Bolt	2	T180*
24	550394	Flange	1	
25	550350	O-ring	4	
31	1880290	Pressure gauge	1	0-1150 PSI
32	130170	Fitting	1	T180*
35	280220	O-ring	1	Ø 29.75x3.53
36	130171	Plug	2	T180*
37	550210	Hose barb	1	o
38	550370	Elbow	1	
39	550242	Ring nut	1	1"
40	390740	Diaphragm	1	In Kit
	390743	Diaphragm	1	Indiv. Only
41	680412	Valve body	1	
42	680423	Body valve	1	
43	680432	Flange	1	
44	680442	Fork	1	
45	680460	Seat	1	
46	680470	Valve	1	
47	680480	Piston	1	
48	680490	Ring	1	
49	680500	Spring	1	
50	680510	Guide	1	
51	680520	Fork	1	
52	680530	Pin	1	
53	680540	Pin	2	
54	680550	Pin	1	
55	680700	Bolt	1	TCEI M6x20 SS T90*
56	680570	Bolt	4	TCEI M6x60 T90*
58	660130	Knob	1	
59	180150	Nut	1	M10
63	680452	Lever	1	
65	320420	Spring	1	
o Optional				
*Torque: in-lbs +/- 10%				

### AR 43839 Maintenance repair

Pos.	Qty
25	4
35	1
38	1
40	1
45	1
46	1
65	1



# A.R. NORTH AMERICA **VH 50** AMERICA



Pos	Code	Description	Qty	Note
23	620610	Bolt	TCEI M8x30	2 T180*
24	550394	Flange		1
25	550350	O-ring	Ø 23.81X2.62	2
31	1880290	Pressure gauge		1 0-1150 PSI
32	130170	Fitting		1 T180*
35	280220	O-ring	Ø 29.75x3.53	1
36	130171	Plug	3/8" G	2 T180*
37	550210	Hose barb	Ø 25	1 Code958
38	550370	Hose barb	Ø 25	1 Code31230
39	550242	Ring nut	1" G	1
40	1150130	Diaphragm		1 Desmopan
41	680413	Valve body		1
43	680432	Flange		1
45	680462	Seat		1
46	1150070	Valve		1
47	1150180	Piston		1
49	1150190	Spring		1
50	1150200	Spring guide		1
55	680700	Bolt	TCEI M6x20	1 SS T90*
56	1150940	Bolt	TCEI M6x60	4 T90*
65	320420	Spring		1
66	620031	O-ring	Ø 24.99x3.53	1
67	1150171	Body	spring guide	1
68	820490	O-ring	Ø 34.65x1.78	1
69	1150920	Knob		1
70	390440	Nut	M6	4 T90*
71	550331	Washer		4

\*Torque: in-lbs +/- 10%

Control units

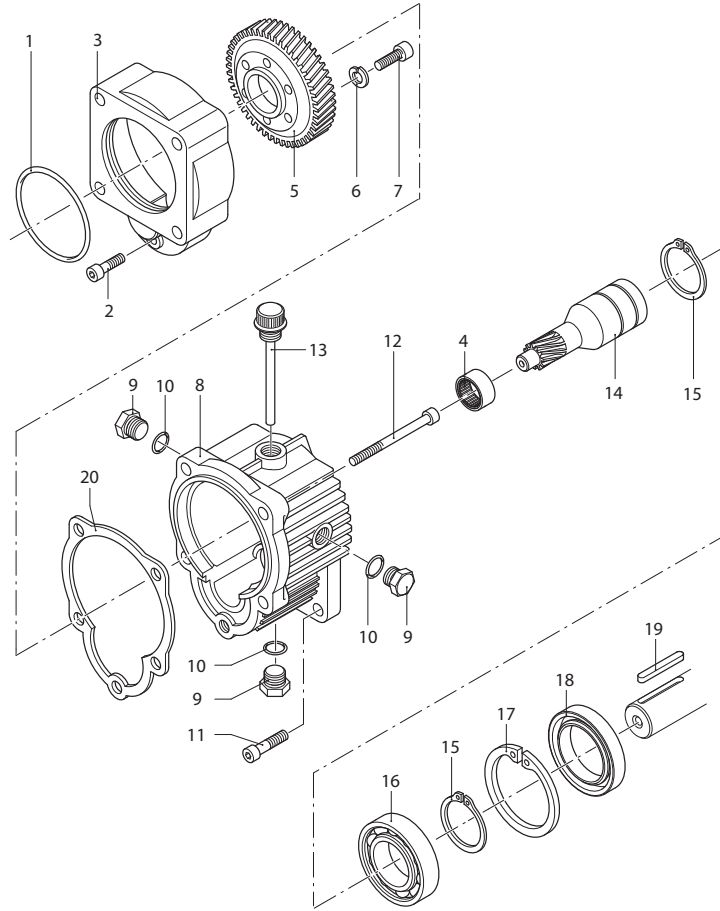
# A.R. NORTH AMERICA

## AR 1636 : Gear Reduction

Per - For: AR 30 - AR 303 - AR 403

Use of engine :  
 B&S Vanguard 6.5  
 Kohler SH265 - CH270  
 Honda GX120 - GX160 - GP160 - GP200  
 Subaru EX17 - EX21

For gas engine w/1" shaft  
 Ø 3/4" Straight Keyed Shaft  
 SAE J609a



106 - 1

Gear boxes

Pos	Cod.	Description	Q.ty	Note
1	620561	O-ring	Ø 78x2,5	1
2	180030	Bolt	TCEI M8x20	1 T220*
3	621000	Adapter Flange		1
4	620990	Bearing		1
5	651620	Gear	Z=64	1
6	200231	Washer		3
7	620470	Bolt	TCEI M10x20	3 T150*
8	620960	Body		1
9	1989600	Plug	3/8" G brass	3 T180*
10	740290	O-ring	Ø 14x1,78	3
11	651000	Bolt	5/16"x24UNFx1"	4 Geomet T220*
12	621010	Bolt	TCEI M10x75	4 T220*
13	1140370	Oil Dipstick		1
14	621660	Pinion	Z=11	1
15	320240	Ring	circlip Øe 40	2
16	961780	Bearing		1
17	961790	Ring	circlip Øi 68	1
18	961800	Oil seal		1
19	881090	Key		1
20	620950	Gasket		1

\*Torque: in-lbs +/- 10%

Suggested oil: AR64532GL 90 W Gear Lube (32 oz)  
 - Gear Lube capacity: 13 oz

# A.R. NORTH AMERICA

## AR 1639 : Gear Reduction

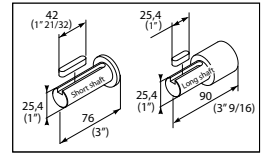
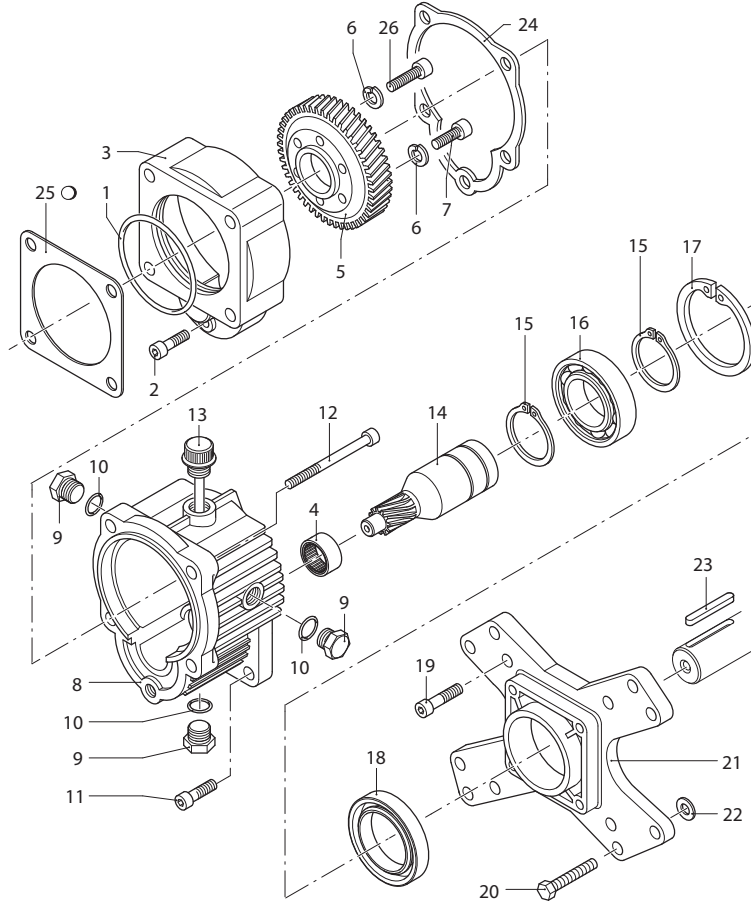
Use on engines:

**AR50- AR503:**  
B&S Vanguard 10  
Kohler CH270  
Honda GX270  
Subaru EX27

**AR713 - AR813:**  
B&S Vanguard 13  
Kohler CH440  
Honda GX340 - GX 390  
Subaru EX40

**AR1064:**  
B&S Vanguard 18  
Honda GX630  
Subaru EH65

For gas engine w/1" Shaft  
Ø 1" Straight Keyed Shaft  
SAE J609a



107 - 1

Pos	Cod.	Description	Q.ty	Note
1	620561	O-ring	Ø 78x2,5	1
2	180030	Bolt	TCEI M8x20	1 T220*
3	621000	Adapter Flange		1
4	620990	Bearing		1
5	651620	Gear	Z=64	1
6	200231	Washer		6
7	620470	Bolt	TCEI M10x20	3 T180*
8	620960	Body		1
9	1980740	Plug	3/8" G brass	3 T180*
10	740290	O-ring	Ø 14x1,78	3
11	881940	Bolt	TCEI M8x25	4 T220*
12	621010	Bolt	TCEI M10x75	4 T220*
13	1140370	Dipstick		1
14	651610	Pinion	Z=11	1
15	320240	Ring	circlip Øe 40	2
16	961780	Bearing		1
17	961790	Ring	circlip Øi 68	1
18	961800	Oil seal		1
19	651000	Bolt	5/16"x24UNFx1"	4 Geomet T220*
20	961900	Bolt	3/8"	4 T220*
21	1320940	Flange		1
22	961770	Spacer		4
23	650990	Key		1
24	620950	Gasket		1
25	650270	Gasket		1 For AR 50
26	160671	Bolt	TCEI M10x25	3 T180*

\*Torque: in-lbs +/- 10%

Suggested oil: AR64532GL 90 W Gear Lube (32 oz)  
- Gear Lube capacity: 13 oz

Gear boxes

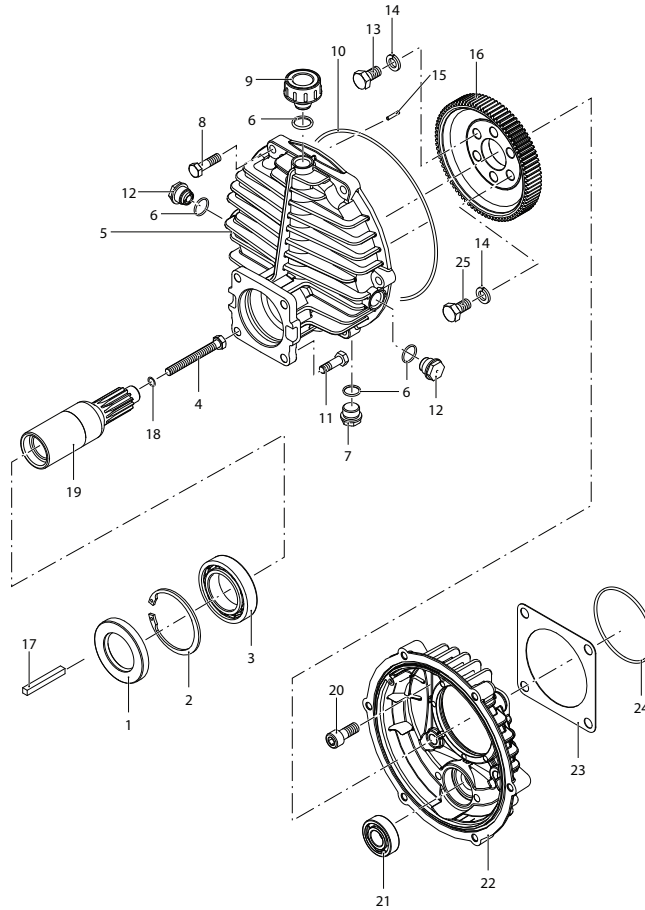
# A.R. NORTH AMERICA

## AR 1666 : Gear Reduction

Per - For: AR 30 - AR 303 - AR 403

Use of engine :  
 B&S Vanguard 6.5  
 Kohler SH 265  
 Kohler SH 270  
 Honda GX 120  
 Honda GX 160  
 Honda GP 160  
 Honda GP 200  
 Axi AMG 120  
 Axi AMG 121  
 Axi AMG 200  
 Axi AMG 201  
 Axi AMG 20  
 Robin Ex 17  
 Rato EHR 160  
 Rato EHR 210

For gas engine with 3/4" shaft  
 Ø 3/4" Straight Keyed Shaft  
 SAE J609a



108 - 1

Pos	Cod.	Description	Q.ty	Note
1	540331	Seal	1	
2	200390	Snap ring	1	
3	621130	Bearing	1	
4	2960050	Bolt	1	T177*
5	2960020	Body	1	
6	740290	O-ring	4	
7	1989600	Plug	1	Alt 88530 21mm hex
8	390450	Bolt	6	T177*
9	2960070	Plug	1	
10	2960060	O-ring	1	
11	1382050	Bolt	4	T221*
12	1980290	Sight glass	2	
13	620340	Bolt	3	T217*
14	200231	Washer	6	
15	2960080	Pin	1	
16	2960030	Gear	1	
17	881090	Key	1	
18	600180	O-ring	1	
19	2960040	Pinion	1	
20	160671	Bolt	4	T221*
21	1220260	Bearing	1	
22	2960010	Cover	1	
23	650270	Gasket	1	
24	620561	O-ring	1	
25	160670	Bolt	3	T217*

\*Torque: in-lbs +/- 10%

Suggested oil: AR64532GL 90W Gear Lube (32 oz)  
 - Gear Lube capacity: 14 oz

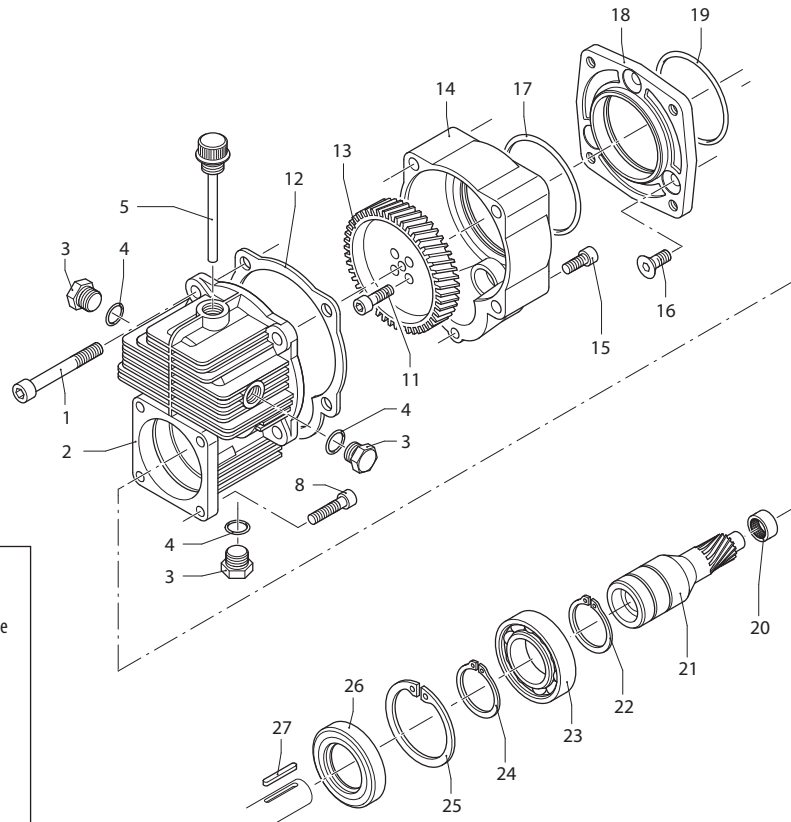
# A.R. NORTH AMERICA

## AR 1671 : Gear Reduction

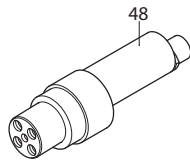
Per - For: AR 70 bp GR - AR 115 bp GR - AR 135 bp GR

Use of engine :  
 B&S Vanguard 6.5  
 Kohler SH265 - CH270  
 Honda GC160 - GX160  
 Subaru E17 - EX21

For gas engine with 3/4" shaft  
 Ø 3/4" Straight Keyed Shaft  
 SAE J609a



**Note: Not included. See pages 22-23.**  
 The shaft in the gear reduction is dedicated to the GR version. A gear reduction cannot be mounted to an SP shaft.



109 - 1

Gear boxes

Pos	Cod.	Description	Q.ty	Note
1	621010	Bolt	TCEI M10x75	4 T220*
2	620960	Body		1
3	1980740	Plug	3/8" G ottone	3 T180*
4	740290	O-ring	Ø 14x1,78	3
5	1140370	Oil Dipstick		1
8	651000	Bolt	24UNFx1"	4 Geomet T180*
11	540290	Bolt	TCEI M8x25	4 T180*
12	620950	Gasket		1
13	550930	Gear	Z=64	1
14	621000	Cover		1
15	180030	Bolt	TCEI M8x20	1 T220*
16	550950	Bolt	TSEI 10x25	3 T180*
17	620561	O-ring	Ø 78x2,5	1
18	550920	Flange		1
19	580230	O-ring	Ø 69,52x2,62	1
20	620990	Bearing		1
21	621660	Pinion	Z=11	1
22	320240	Ring	circlip Øe 40	2
23	961780	Bearing		1
24	320240	Ring	circlip Øe 40	2
25	961790	Ring	circlip Øi 68	1
26	961800	Oil seal		1
27	881090	Key		1
48	550175	Shaft	marked AN	1 NOT INCLUDED - see p23
	580430	Shaft	marked AX	1 NOT INCLUDED - see p23

\*Torque: in-lbs +/- 10%

Suggested oil: AR64532GL 90 W Gear Lube (32 oz)  
 - Gear Lube capacity: 14 oz



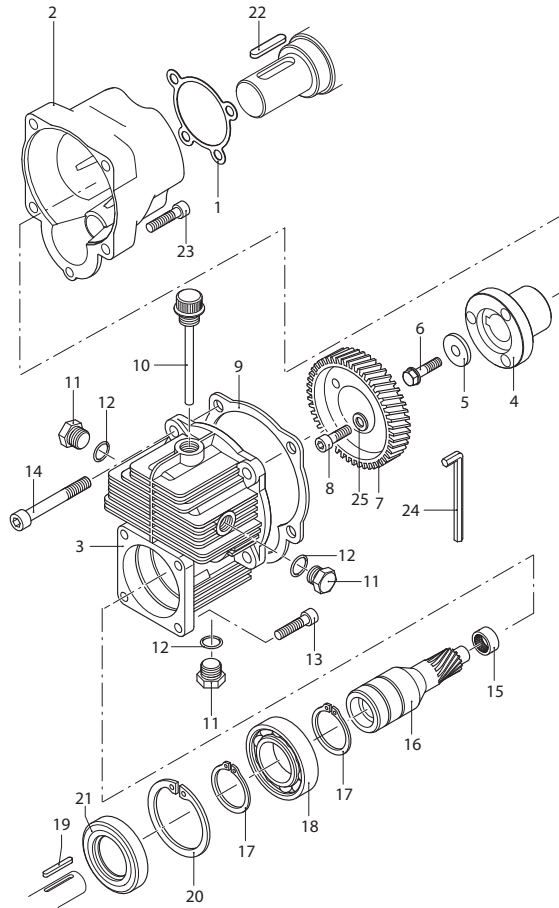
# A.R. NORTH AMERICA

## AR 31185 : Gear Reduction

Use of engine :

B&S Vanguard 6.5  
Kohler SH265 - CH270  
Subaru E17 - 21  
Honda GP160 - GX160

For gas engine with Ø3/4" shaft  
Ø 3/4" Straight Keyed Shaft  
SAE J609a



110 - 1

Gear boxes

Pos	Cod.	Description	Q.ty	Note
1	3120360	Gasket	1	
2	3120340	Flange	1	
3	620960	Body	1	
4	3120350	Shaft	1	AR45bp-AR80bp
5	780230	Washer	1	
6	880280	Bolt	1	TCEI M6x18 <b>T90*</b>
7	651620	Gear	1	Z=64
8	620470	Bolt	3	TCEI M10x20 <b>T180*</b>
9	620950	Gasket	1	
10	1140370	Dipstick	1	
11	1980740	Plug	3	3/8" Gottone <b>T180*   Alt 88530 21mm hex</b>
12	740290	O-ring	3	Ø 14x1,78
13	651000	Bolt	4	TCEI 5/16" 24 UNF 1" Geomet <b>T220*</b>
14	540300	Bolt	8	TCEI M10x30 <b>T220*</b>
15	620990	Bearing	1	
16	621660	Pinion	1	Z=11
17	320240	Ring	2	seeqer Øe 40
18	961780	Bearing	1	
19	881090	Key	1	
20	961790	Ring	1	seeqer Øi 68
21	961800	Ring	1	tenuta
22	3120350	Key	1	AR45bp-AR80bp
23	180030	Bolt	1	TCEI M8x20 <b>T220*</b>
24	1380630	Key	1	di manovra
25	200231	Washer	3	

\*Torque: in-lbs +/- 10%

Suggested oil: AR64532GL 90 W Gear Lube (32 oz)

- Gear Lube capacity: 13 oz

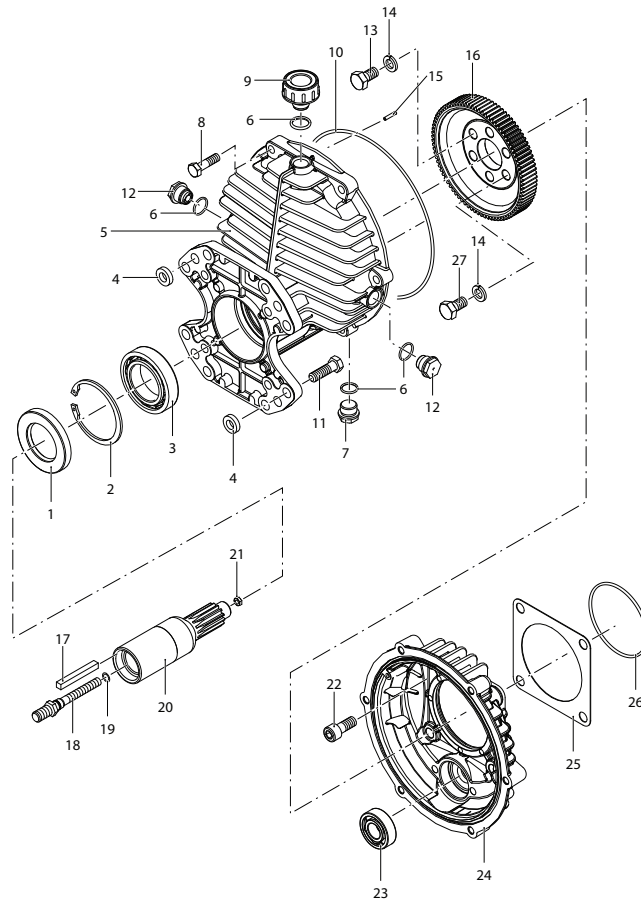
# A.R. AR 33261 : Gear Reduction

For: AR 50 - AR 503 - AR 713 - AR 813 - AR 1064

Use of engine :

B&S Vanguard 10  
 B&S Vanguard 18  
 Kohler SH 265  
 Kohler SH 270  
 Kohler SH 440  
 Honda GX 270  
 Honda GX 340  
 Honda GX 390  
 Honda GX 630  
 Axo AMG 390  
 Axo AMG 420  
 Robin EX 40  
 Rato EHR 270  
 Rato EHR 420

For gas engine with Ø3/4" shaft Ø 1" Straight  
 Keyed Shaft  
 SAE J609a



111 - 1

Gear boxes

Pos	Cod.	Description	Q.ty	Note
1	961800	Seal	1	
2	961790	Ring	Øi 68	1
3	961780	Bearing		1
4	961770	Spacer		4
5	2960090	Body		1
6	740290	O-ring	Ø 14x1.78	4
7	1989600	Plug	3/8" G brass	1
8	390450	Bolt	M8x30	6 T177*
9	2960070	Plug		1
10	2960060	O-ring	Ø 177.47x2.62	1
11	961900	Bolt	3/8" 16 UNC 1-1/4"	4
	1382050	Bolt	5/16" 24 UNF 1"	4
12	1980290	Sight glass	3/8" G	2
13	620340	Bolt	M10x20	3 T221*
14	200231	Washer		6
15	2960080	Pin		2
16	2960030	Gear	Z=85	1
17	650990	Key		1
18	2960110	Hub pin	M8-7/16-20 UNF	1
	2960130	Hub pin	M8-7/16-24 UNF	1
	2960140	Hub pin	M8-M8	1
19	1121160	O-ring	Ø 6.86x1.78	3
20	2960100	Pinion	Z=14 (1")	1
21	1660210	Nut	M8	1 T177*
22	160671	Bolt	M10x25	4 T221*
23	1220260	Bearing		1
24	2960010	Cover		1
25	650270	Gasket		1
26	620561	O-ring	Ø 78x2.5	1
27	160670	Bolt	M10x24	3 T221*

\*Torque: in-lbs +/- 10%

Suggested oil: AR64532GL 90 W Gear Lube (32 oz)  
 - Gear Lube capacity: 14 oz





**ANNOVI<sup>®</sup>  
REVERBERI**  
The Power of Experience



**NORTH<sup>®</sup>  
AMERICA**  
When Quality Matters

---

**A.R. North America Inc.**

140 - 81st Avenue Northeast

Fridley, MN USA 55432

Ph. +1 763 398 2008

Fax +1 763 398 2009

info@arnorthamerica.com

www.arnorthamerica.com

---